

[54] 3-D GLASSES

[75] Inventors: Jan W. Kuypers; Karim Rashid; Ian F. Norton, all of Toronto, Canada

[73] Assignee: Imax Systems Corporation, Toronto, Canada

[**] Term: 14 Years

[21] Appl. No.: 370,514

[22] Filed: Jun. 22, 1989

[52] U.S. Cl. D16/107

[58] Field of Search D16/102, 104, 107, 111, D16/112, 117, 119, 125, 127; D21/240; 351/41, 44, 46, 45, 52, 83, 154, 124; 2/426, 439, 452, 436, 432, 447, 454

[56] References Cited

U.S. PATENT DOCUMENTS

D. 302,711 8/1989 Burlison D21/240
2,846,684 8/1958 Hill 2/436

4,247,177 1/1981 Marks et al. 351/44
4,405,212 9/1983 Cooper 351/83
4,616,367 10/1986 Jean, Jr. et al. 2/452
4,885,808 12/1989 Carpenter 2/452
4,901,374 2/1990 Van Der Woude 2/452

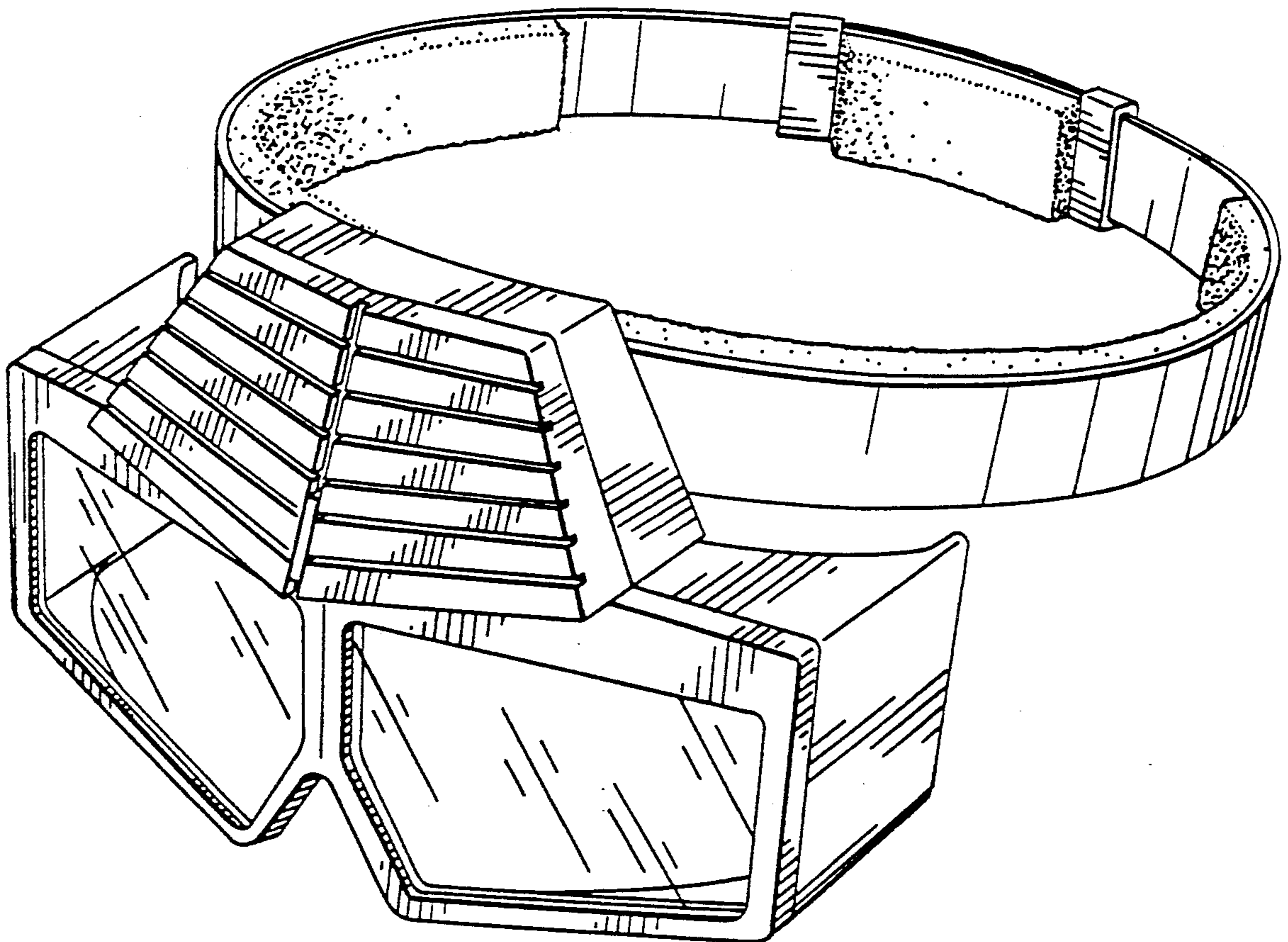
Primary Examiner—Benard Ansher
Assistant Examiner—R. Barkai
Attorney, Agent, or Firm—Rogers, Bereskin & Parr

[57] CLAIM

The ornamental design for 3-D glasses, as shown.

DESCRIPTION

FIG. 1 is a top, front and right side perspective view of 3-D glasses showing my new design;
FIG. 2 is a bottom, rear and left side perspective view thereof;
FIG. 3 is a top, front and right side perspective view of a modified embodiment of the design shown FIGS. 1 and 2; and
FIG. 4 is a bottom, rear and left side perspective view thereof.



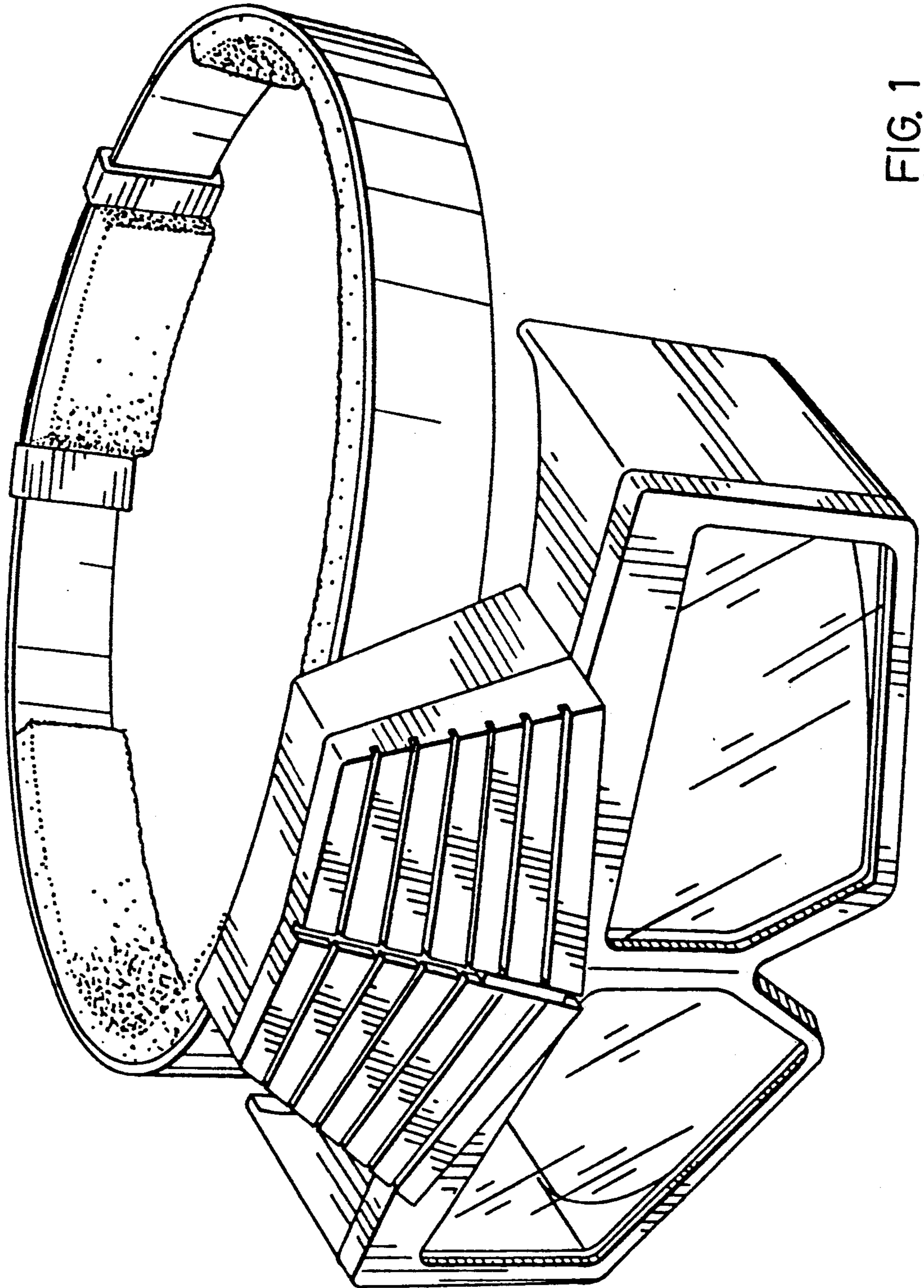


FIG. 1

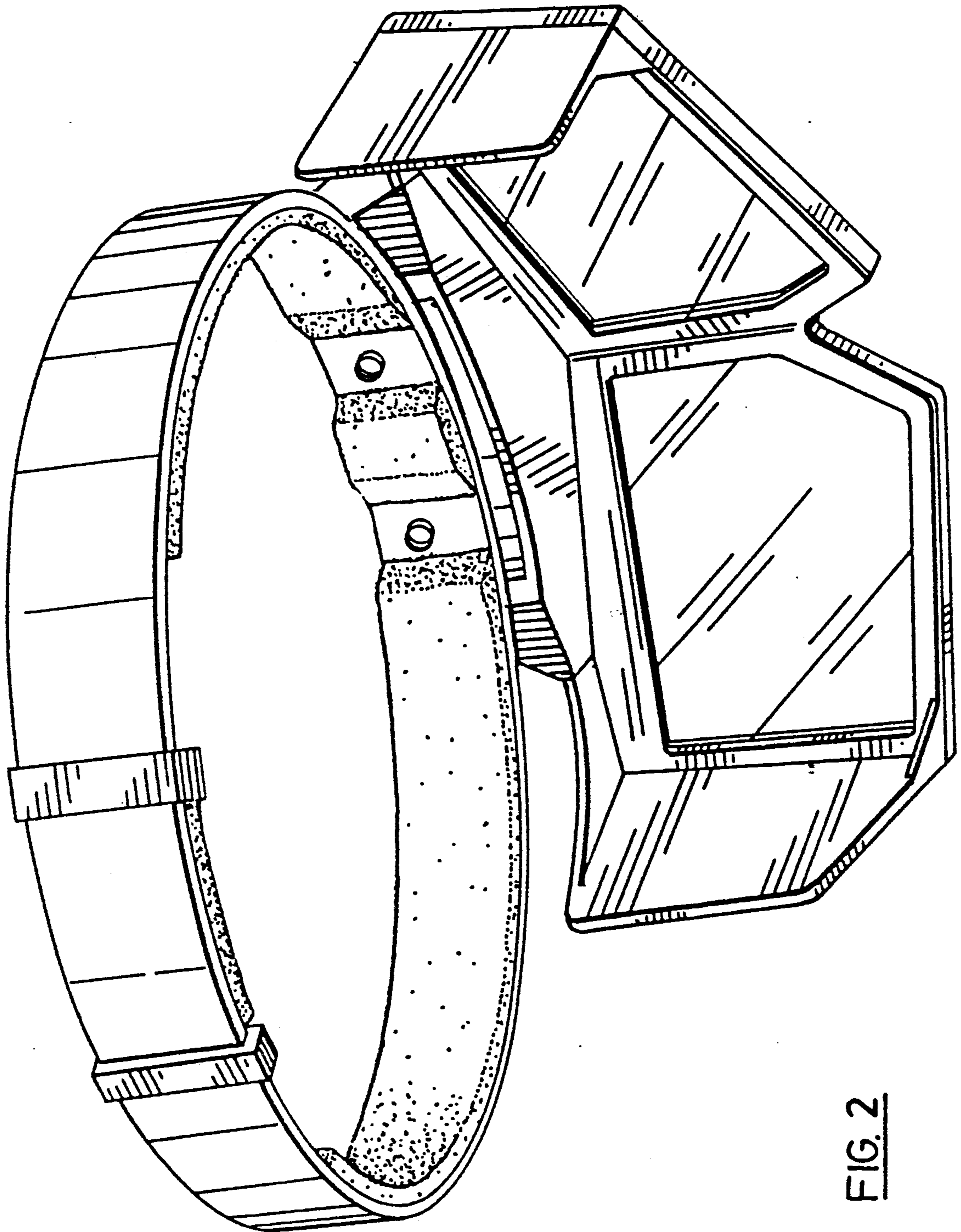


FIG. 2

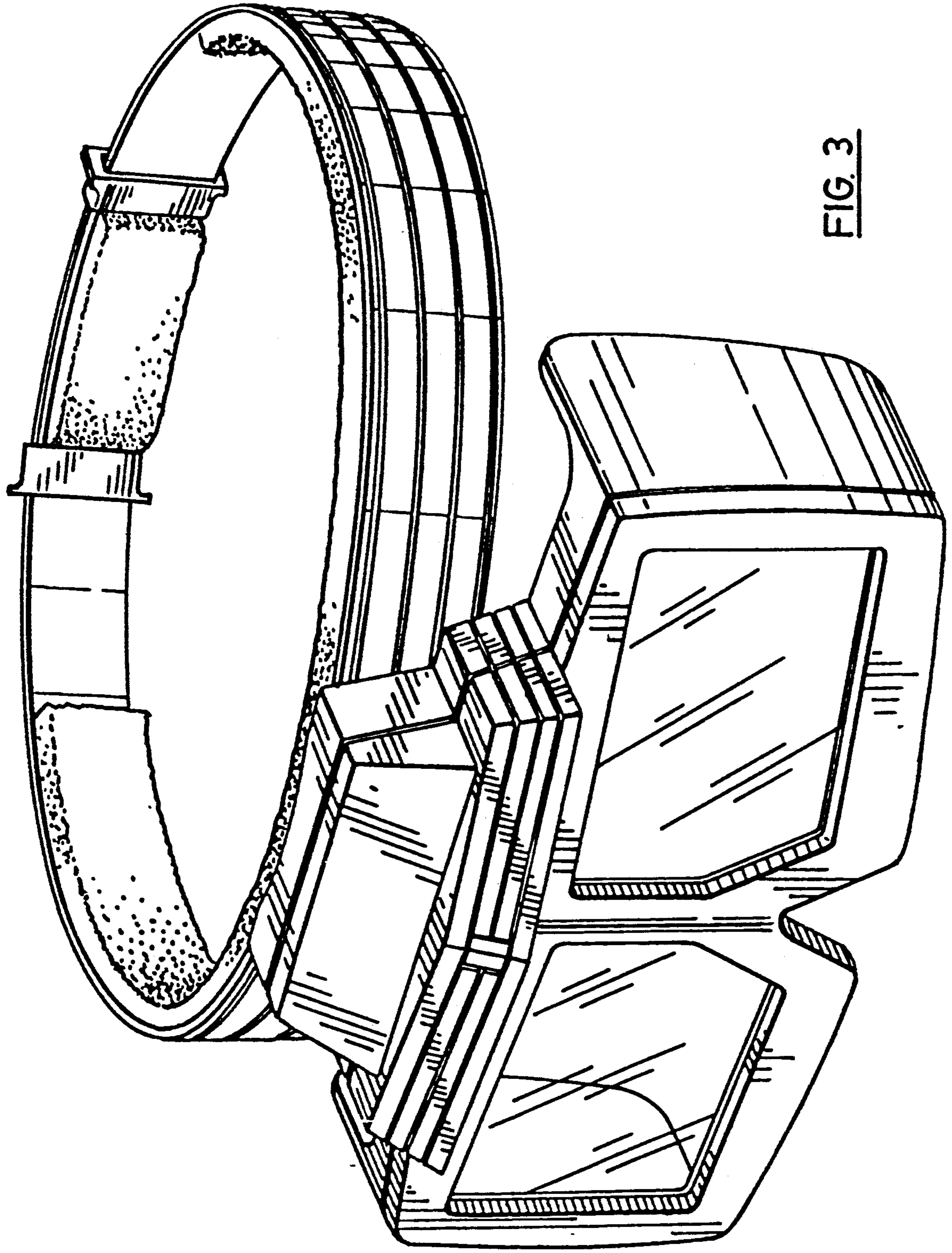


FIG. 3

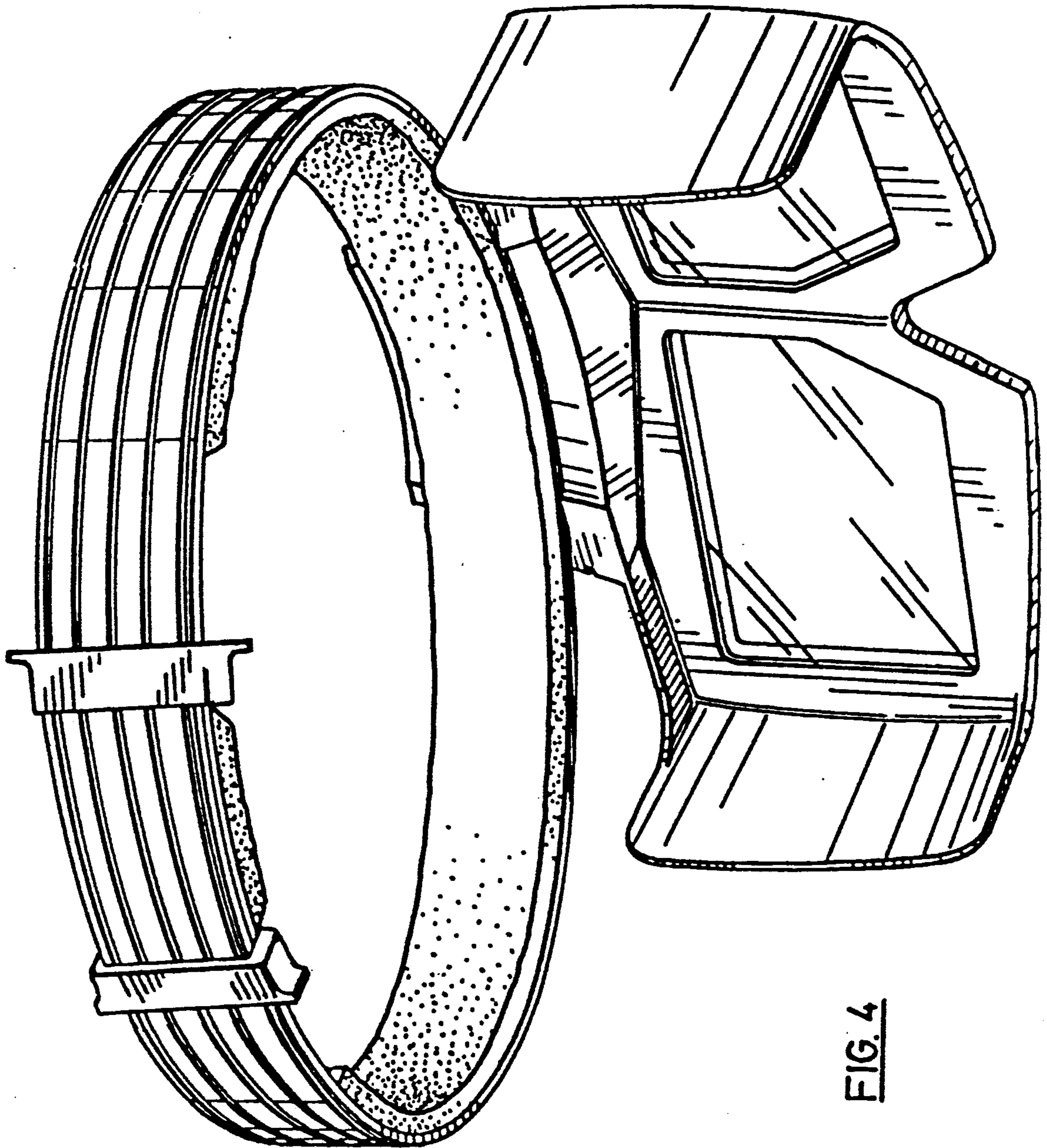


FIG. 4