

[54] SIDE PLATE FOR AN EARTHWORKING SEED PLANTING AND FERTILIZING TOOL

[76] Inventor: Kevin M. Anderson, P.O. Box 32, Andover, S. Dak. 57422

[**] Term: 14 Years

[21] Appl. No.: 571,888

[22] Filed: Aug. 24, 1990

Related U.S. Application Data

[62] Division of Ser. No. 251,862, Oct. 3, 1988, Pat. No. Des. 313,804.

[52] U.S. Cl. D15/29

[58] Field of Search D15/21, 28, 29; 111/109, 123, 152, 188, 195-197

[56] References Cited

U.S. PATENT DOCUMENTS

- D. 195,727 7/1963 Williams .
- 909,991 1/1909 Cole .
- 1,374,632 4/1921 Blue .
- 2,048,441 7/1936 Feltman .
- 2,159,652 5/1939 Brunner .
- 2,227,759 1/1941 Nemanick .
- 2,259,303 10/1941 Ewerth .
- 2,874,656 2/1959 Bennett .
- 2,889,788 6/1959 Van Dorn .
- 2,924,189 2/1960 McLeod .
- 3,098,529 7/1963 Wade et al. .
- 3,122,111 2/1964 Taylor, Sr. .
- 3,126,969 3/1964 Sewell .
- 3,188,988 6/1965 Peck .
- 3,296,985 1/1967 Shelton .
- 3,517,752 6/1970 Glee .
- 3,707,132 12/1972 Hansen .
- 3,854,429 12/1974 Blair .
- 3,939,786 2/1976 Greene et al. .

- 4,141,160 2/1979 Olson .
- 4,278,036 7/1981 Buchele .
- 4,388,878 6/1983 Demzin .
- 4,417,530 11/1983 Kopecky .
- 4,446,801 5/1984 Machnee et al. .
- 4,579,071 4/1986 Johnson .
- 4,633,791 1/1987 Lindstrom et al. .
- 4,638,748 1/1987 Kopecky .
- 4,669,922 6/1987 Hooper et al. .
- 4,674,419 6/1987 Kopecky .
- 4,729,212 3/1988 Rabitsch .
- 4,770,112 9/1988 Neumeyer .
- 4,798,151 1/1989 Rodrigues, Jr. et al. .
- 4,823,884 4/1989 McCall .
- 4,926,767 5/1990 Thomas .

FOREIGN PATENT DOCUMENTS

- 1809126 6/1970 Fed. Rep. of Germany .
- 320247 1/1972 U.S.S.R. .
- 2199223A 7/1988 United Kingdom .
- 85/00067 2/1985 World Int. Prop. O. .

Primary Examiner—Bernard Ansher
 Assistant Examiner—Sandra Morris
 Attorney, Agent, or Firm—Burd, Bartz & Gutenkauf

[57] CLAIM

The ornamental design for a side plate for an earthworking seed planting and fertilizing tool, as shown and described.

DESCRIPTION

FIG. 1 is a perspective view of a side plate for an earthworking seed planting and fertilizing tool showing my design;
 FIG. 2 is a right side elevational view thereof;
 FIG. 3 is a left side elevational view thereof;
 FIG. 4 is a top view thereof;
 FIG. 5 is a bottom view thereof;
 FIG. 6 is a rear elevational view thereof; and
 FIG. 7 is a front end elevational view thereof.

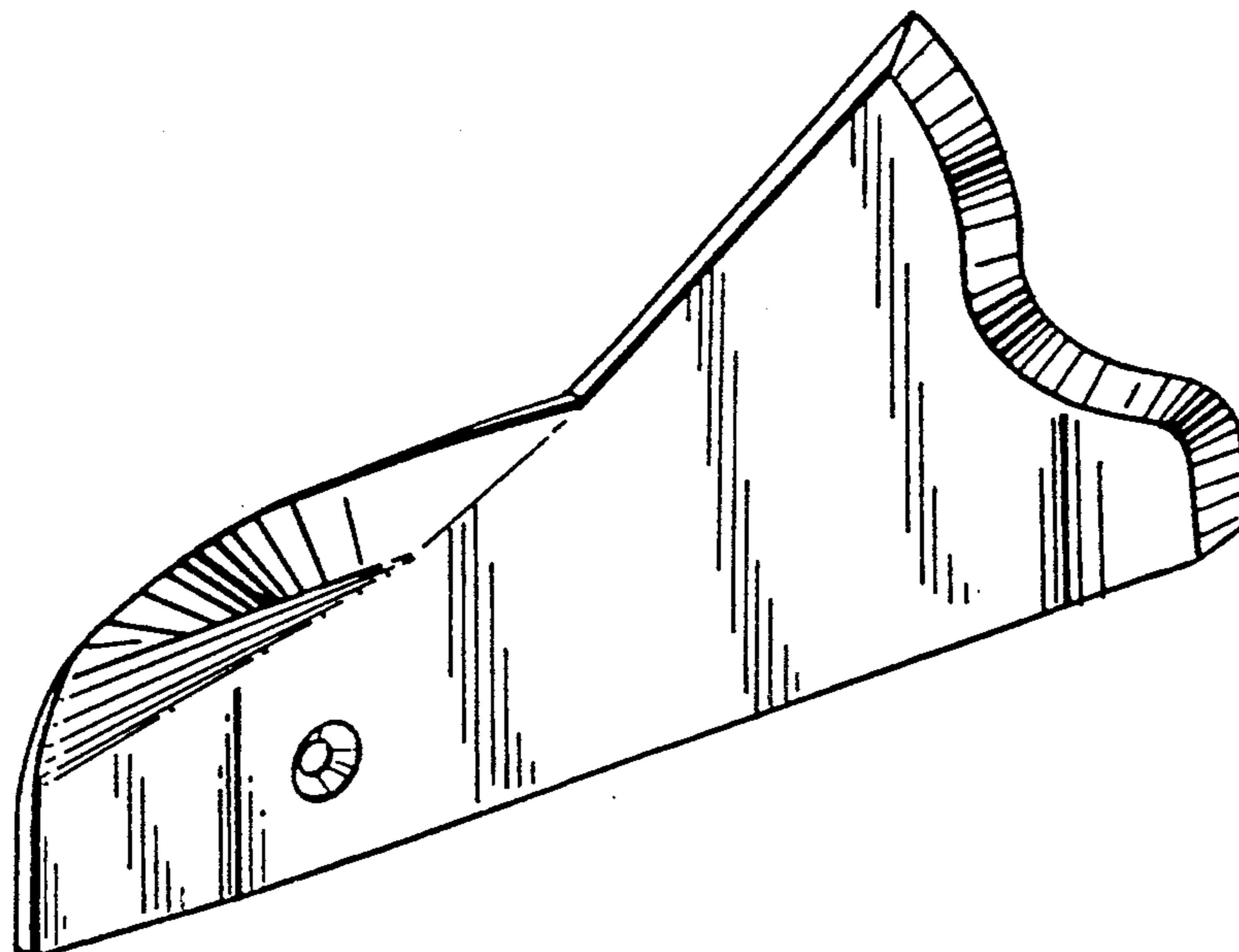


FIG. 1

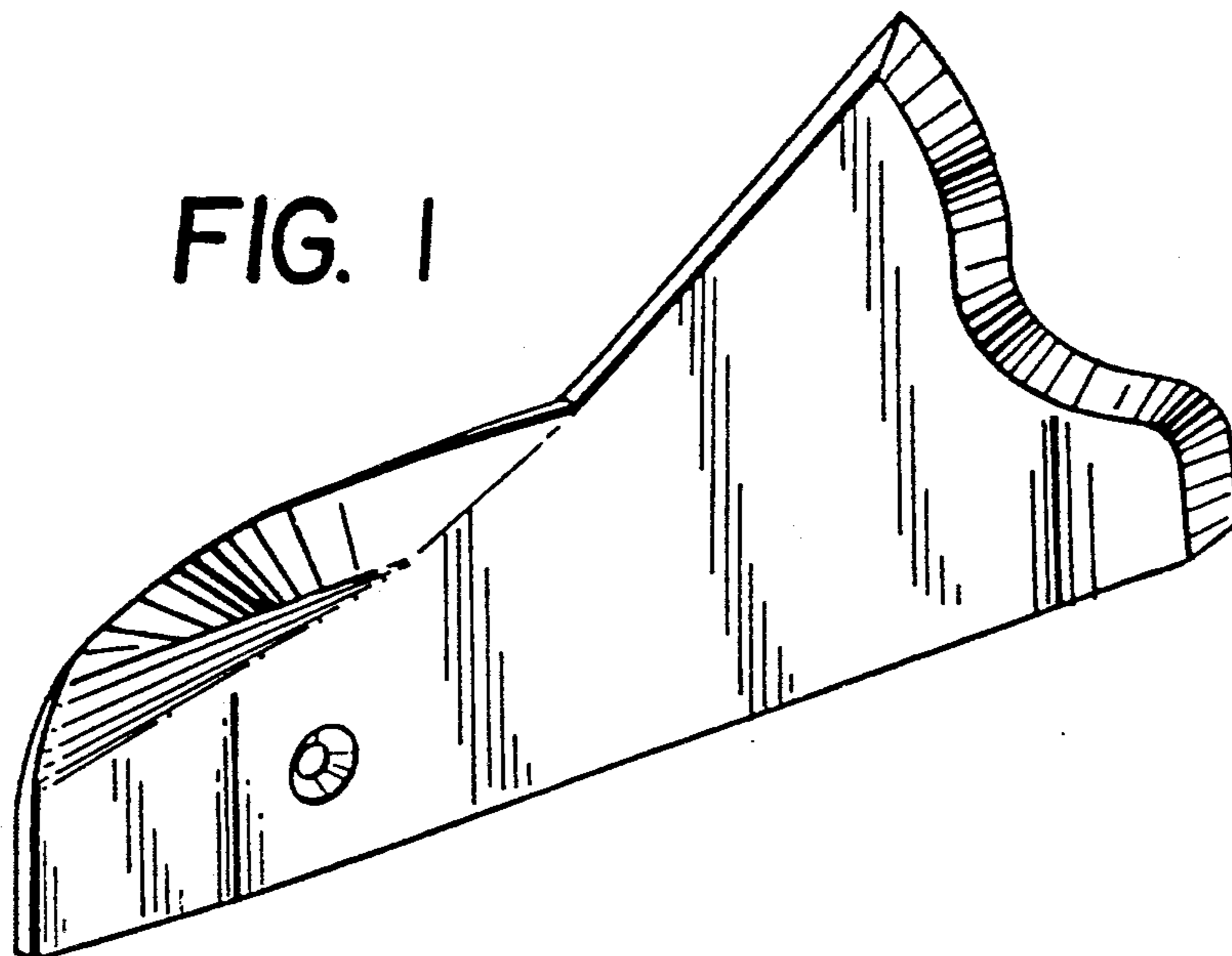


FIG. 2

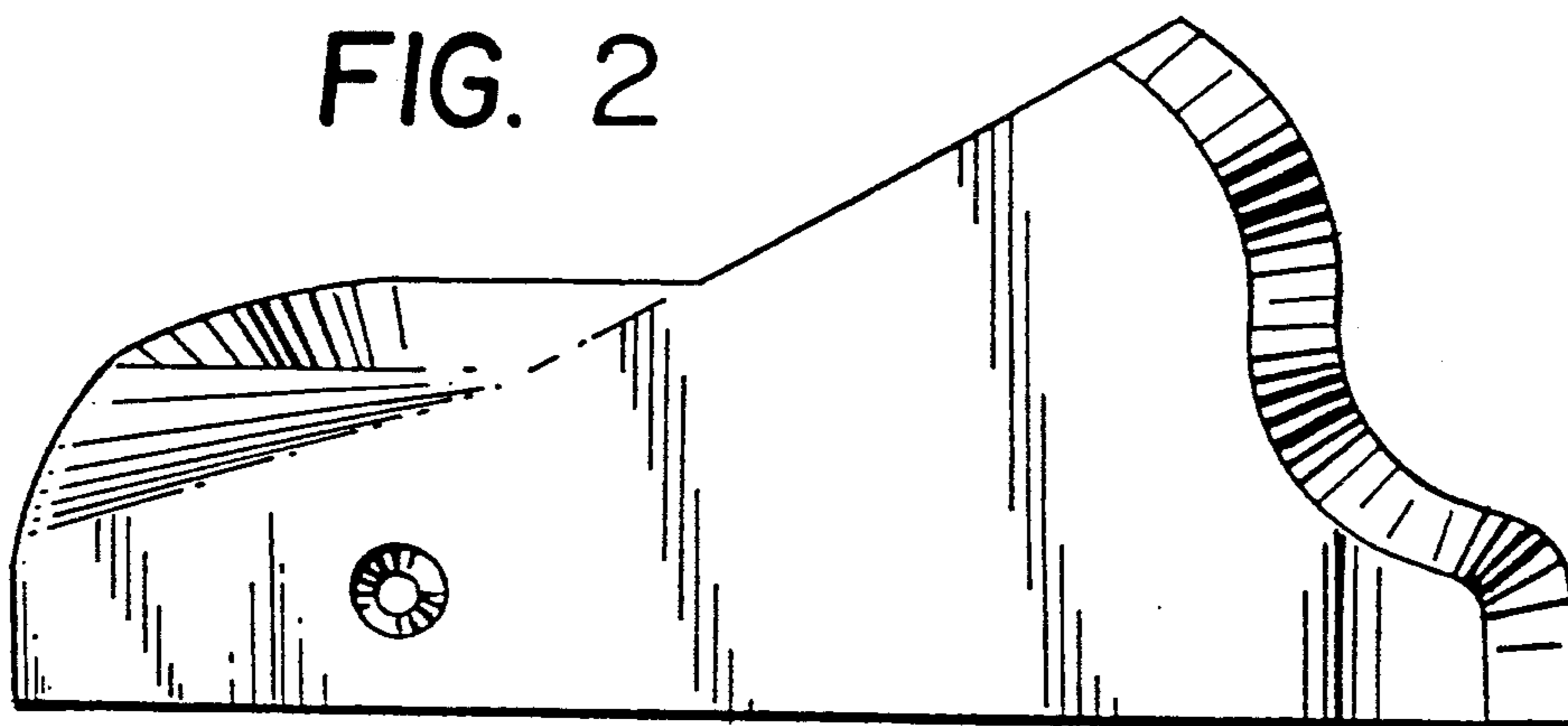


FIG. 3

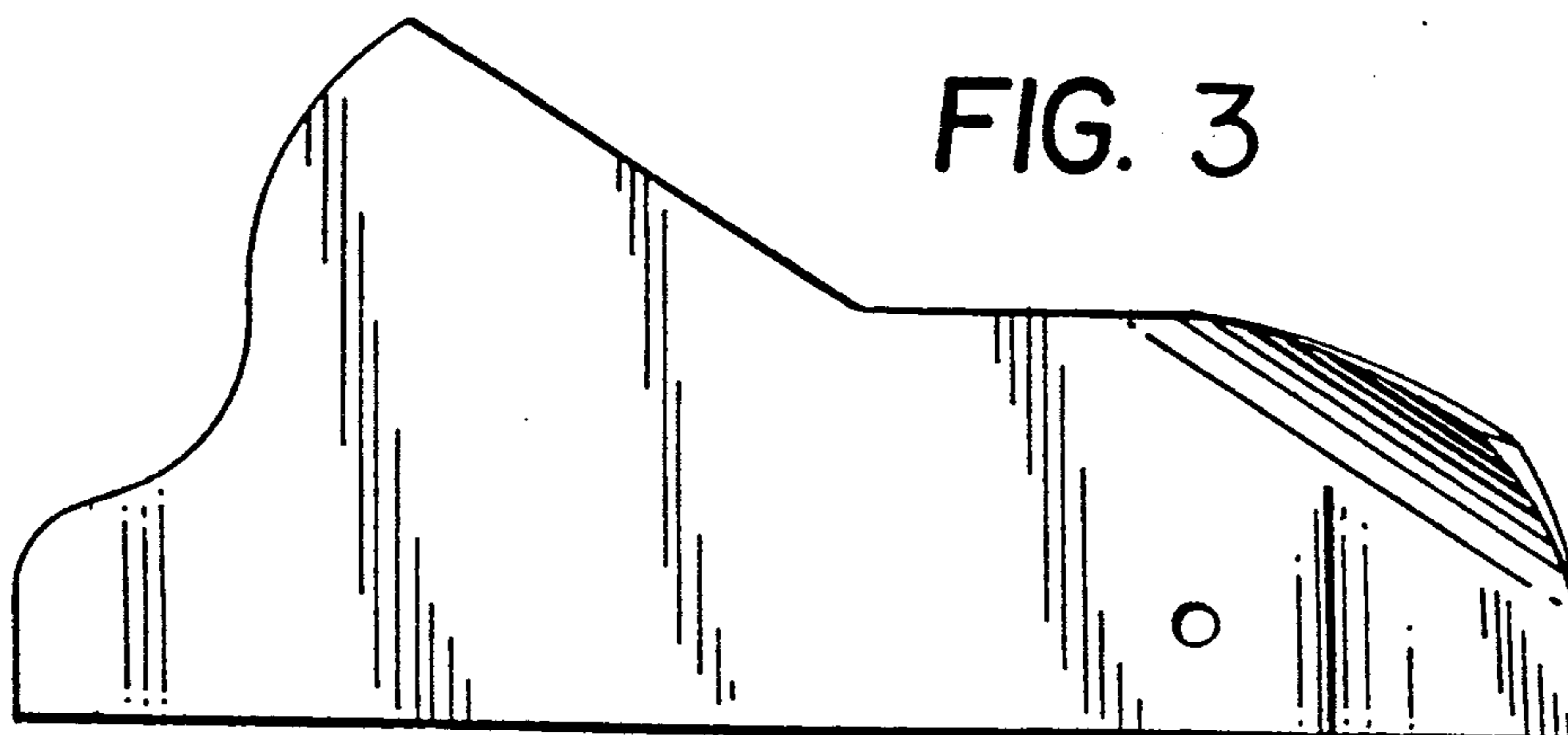




FIG. 4



FIG. 5

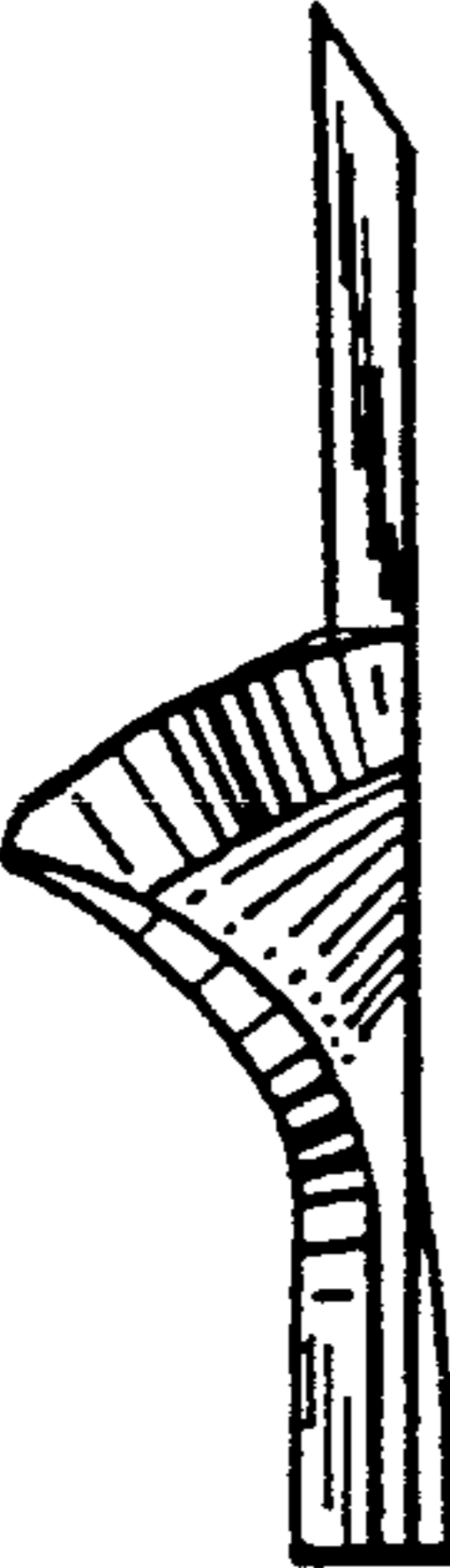


FIG. 6

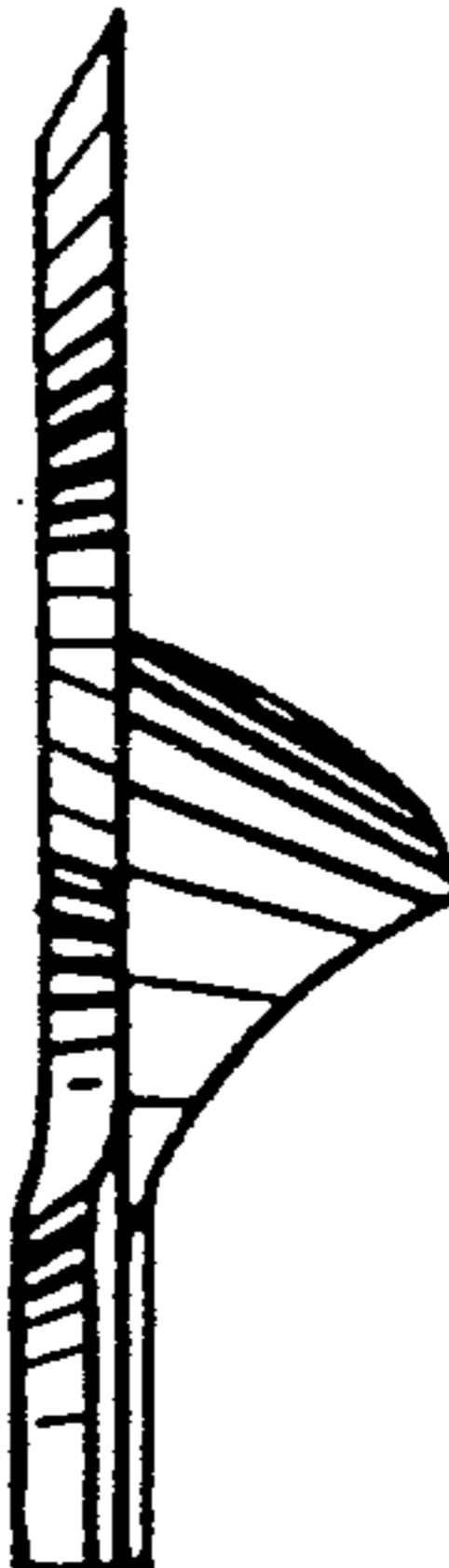


FIG. 7