

[54] SKID STEER LOADER VEHICLE

[75] Inventor: Jeong S. Park, Inchen, Rep. of Korea

[73] Assignee: Daewoo Heavy Industries Limited,
Inchon, Rep. of Korea

[**] Term: 14 Years

[21] Appl. No.: 415,114

[22] Filed: Sep. 29, 1989

[52] U.S. Cl. D15/25

[58] Field of Search D15/10, 22-26;
37/118 R; 180/89.1, 89.12

[56] References Cited

U.S. PATENT DOCUMENTS

D. 224,588	8/1972	Bauer	D15/23
D. 231,482	4/1974	Bauer	D15/25
D. 247,814	5/1978	Johnson et al.	D15/25
D. 251,088	2/1979	Johnson et al.	D15/23
D. 272,826	2/1984	Cochran et al.	D15/23
4,055,262	10/1977	Bauer et al.	180/89.12
4,705,449	11/1987	Christianson et al.	D15/25
4,903,418	2/1990	Loudon	37/118 R

OTHER PUBLICATIONS

Implement-Tractor, Nov. 1986, p. 4, "Skidtric", lower left photo.

Implement-Tractor, Dec. 1986, p. 21, "Skid Loader", upper right.

Primary Examiner—Bernard Ansher

Assistant Examiner—Sandra Morris

Attorney, Agent, or Firm—James D. Hall

[57] CLAIM

The ornamental design for a skid steel loader vehicle, as shown and described.

DESCRIPTION

FIG. 1 is a right front perspective view of a skid steer loader vehicle, showing my new design;

FIG. 2 is a right rear perspective view thereof;

FIG. 3 is a right side elevational view thereof;

FIG. 4 is a front perspective view thereof with the bucket removed for clarity;

FIG. 5 is a left side elevational view thereof;

FIG. 6 is a rear perspective view thereof;

FIG. 7 is a right rear perspective view thereof, with the boom assembly in the raised position;

FIG. 8 is a front perspective thereof, with the boom assembly in the raised position;

FIG. 9 is a rear perspective thereof, with the boom assembly in the raised position; and

FIG. 10 is an enlarged top perspective view thereof.

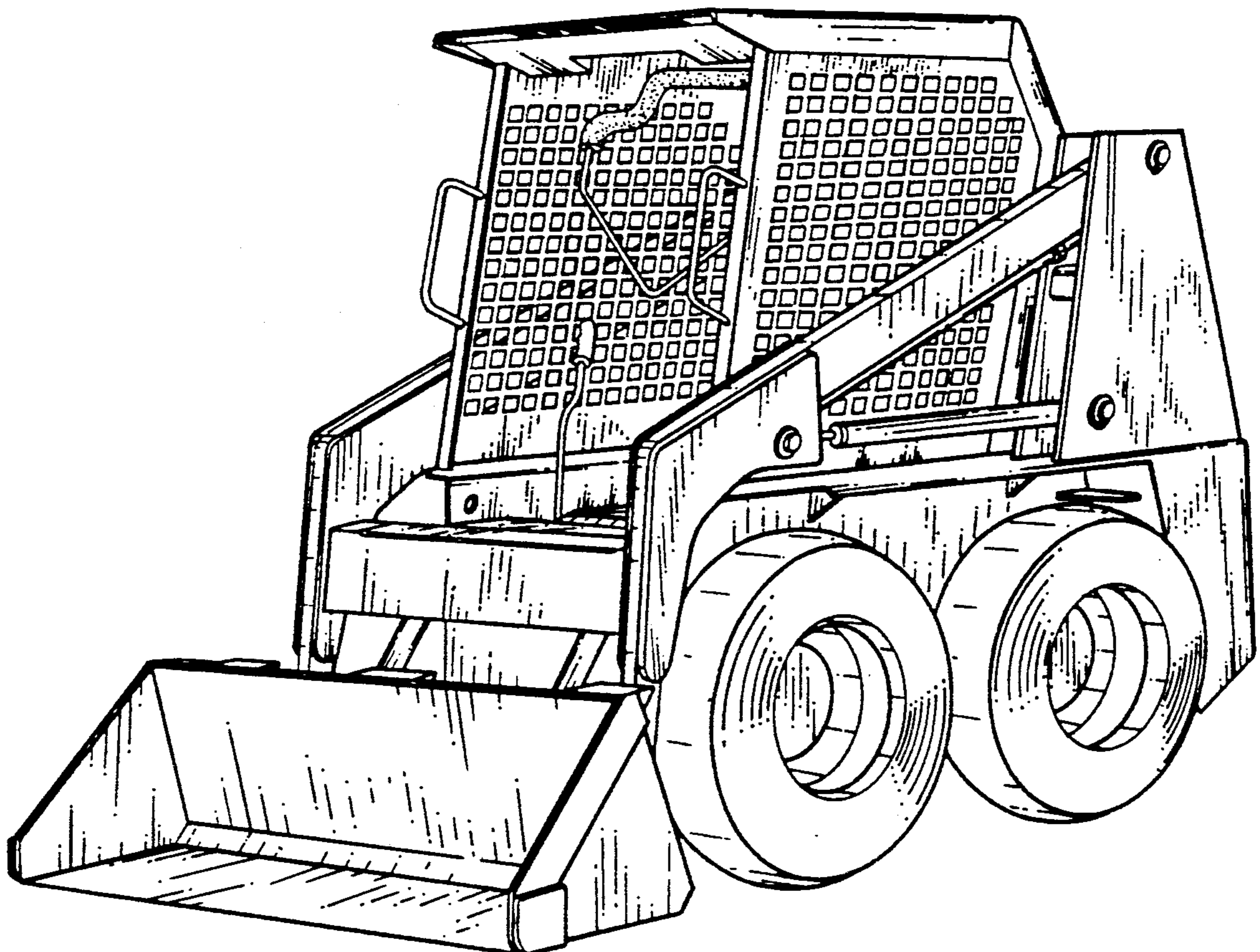


FIG. 1

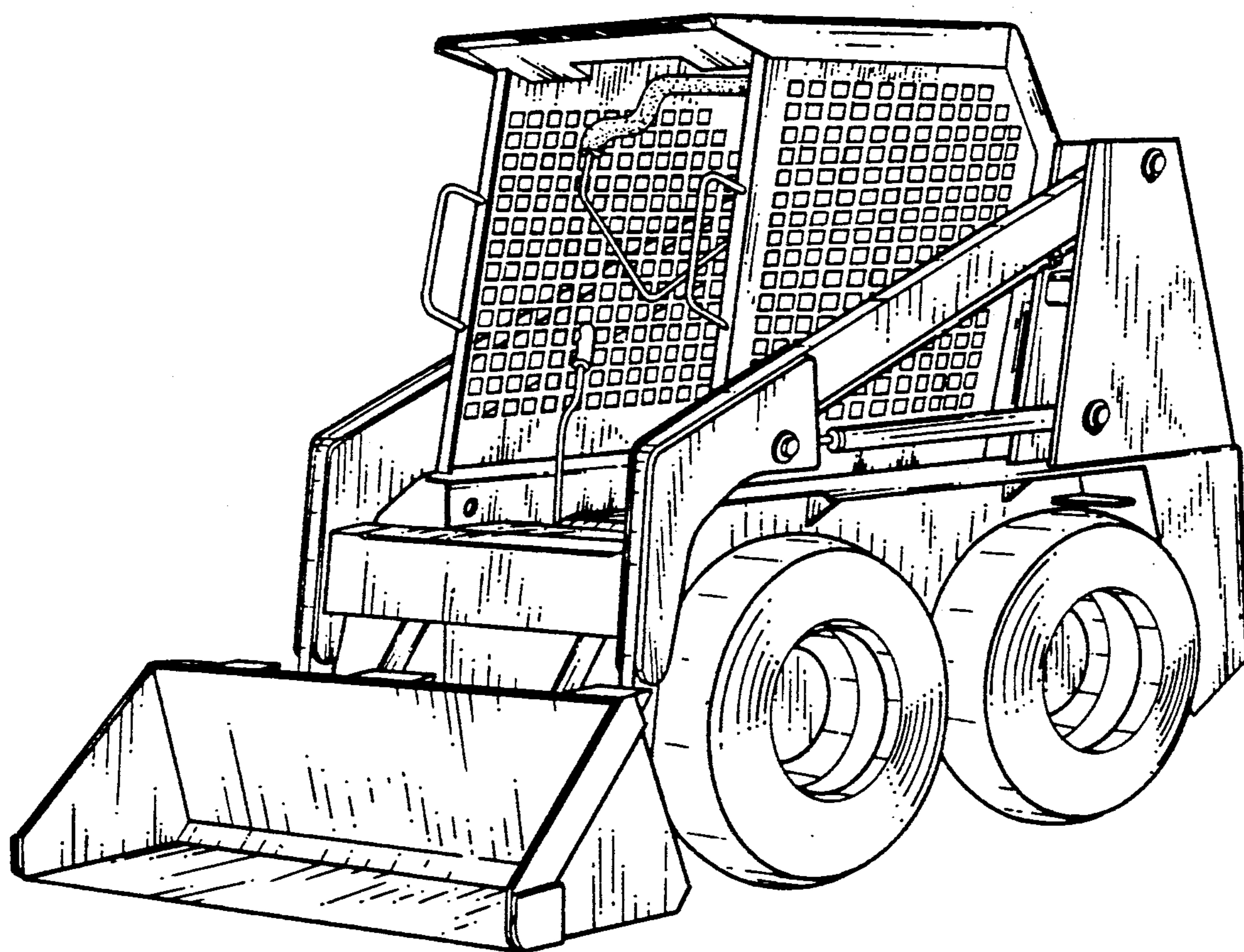


FIG. 2

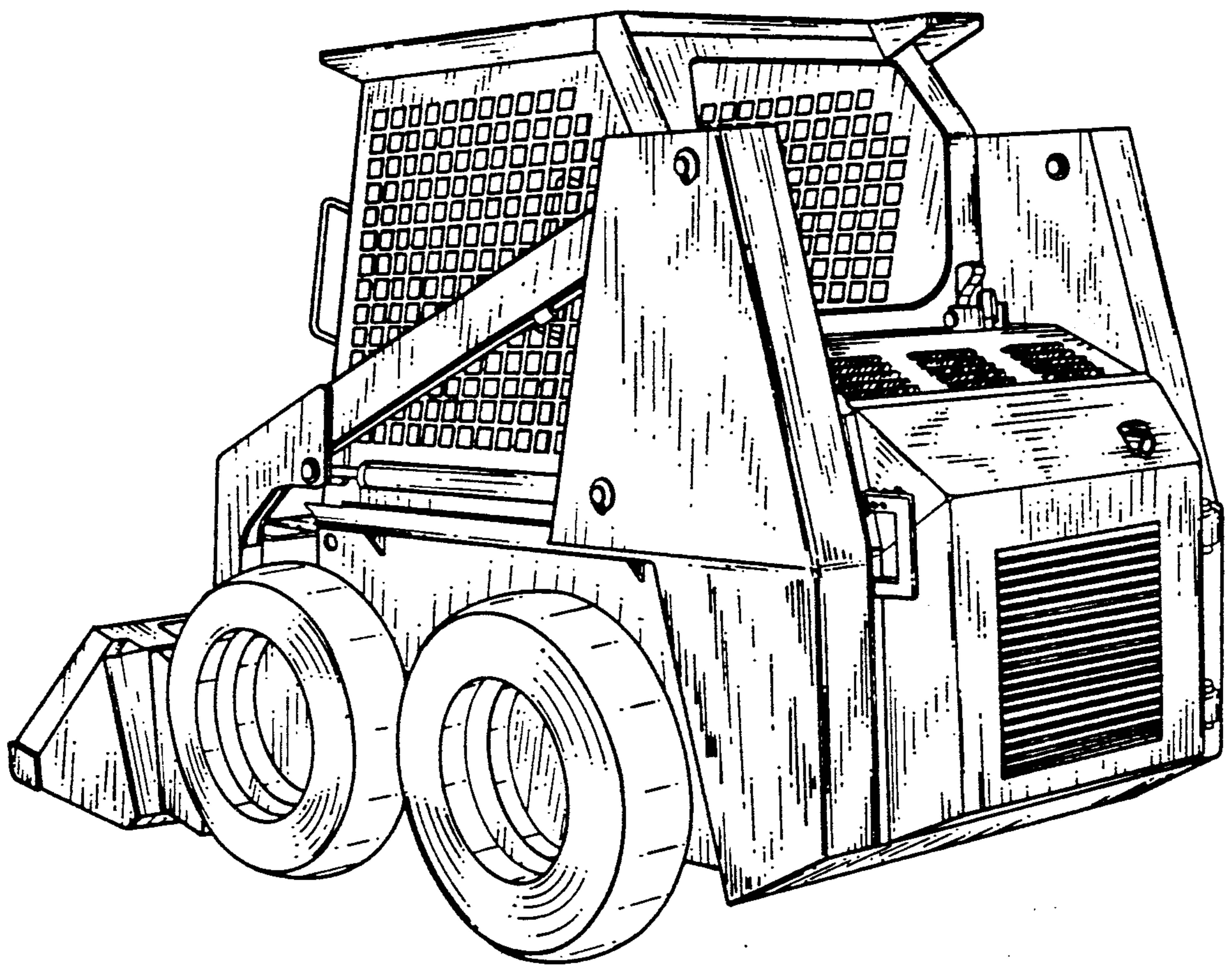


FIG. 3

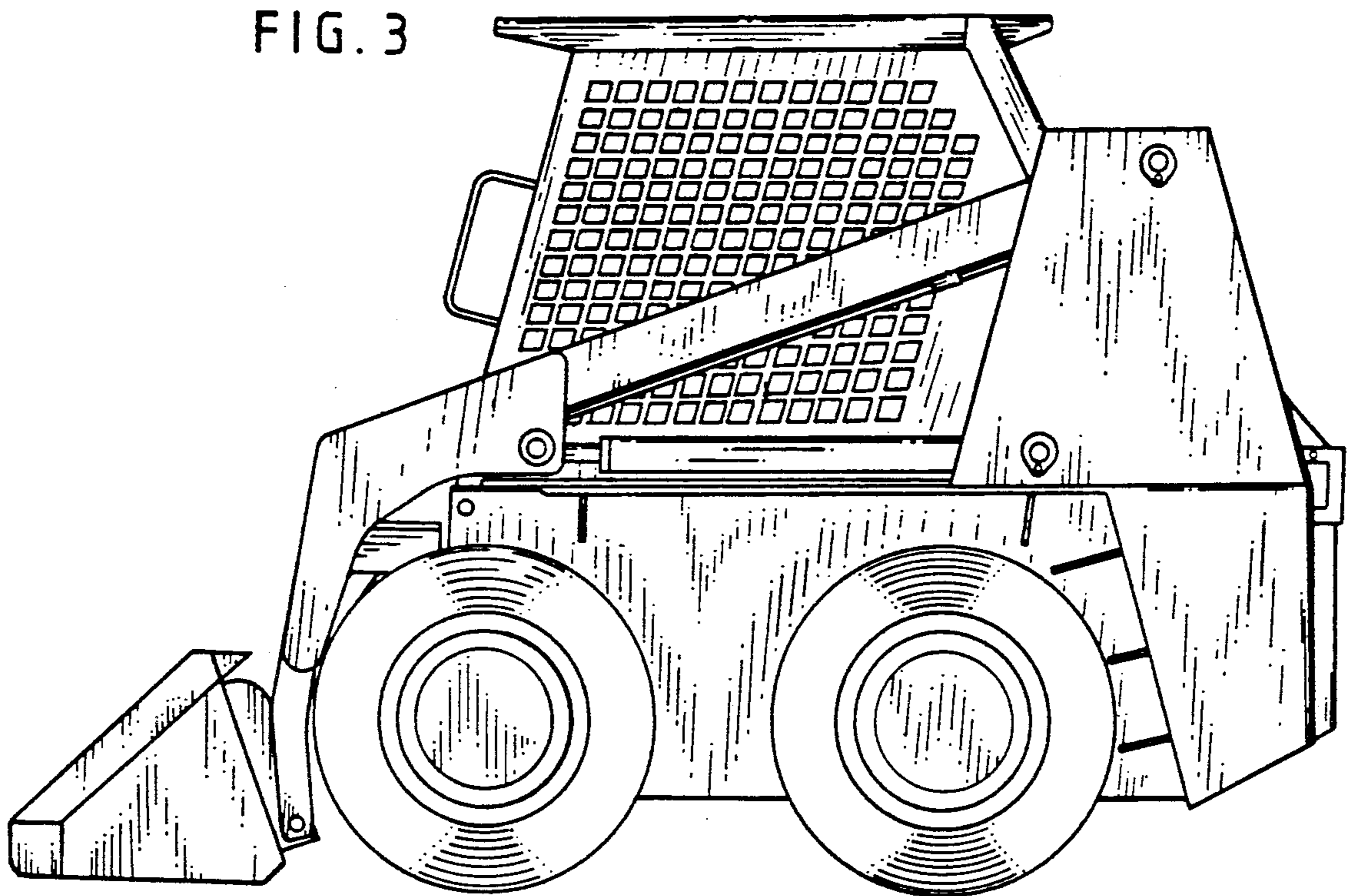


FIG. 4

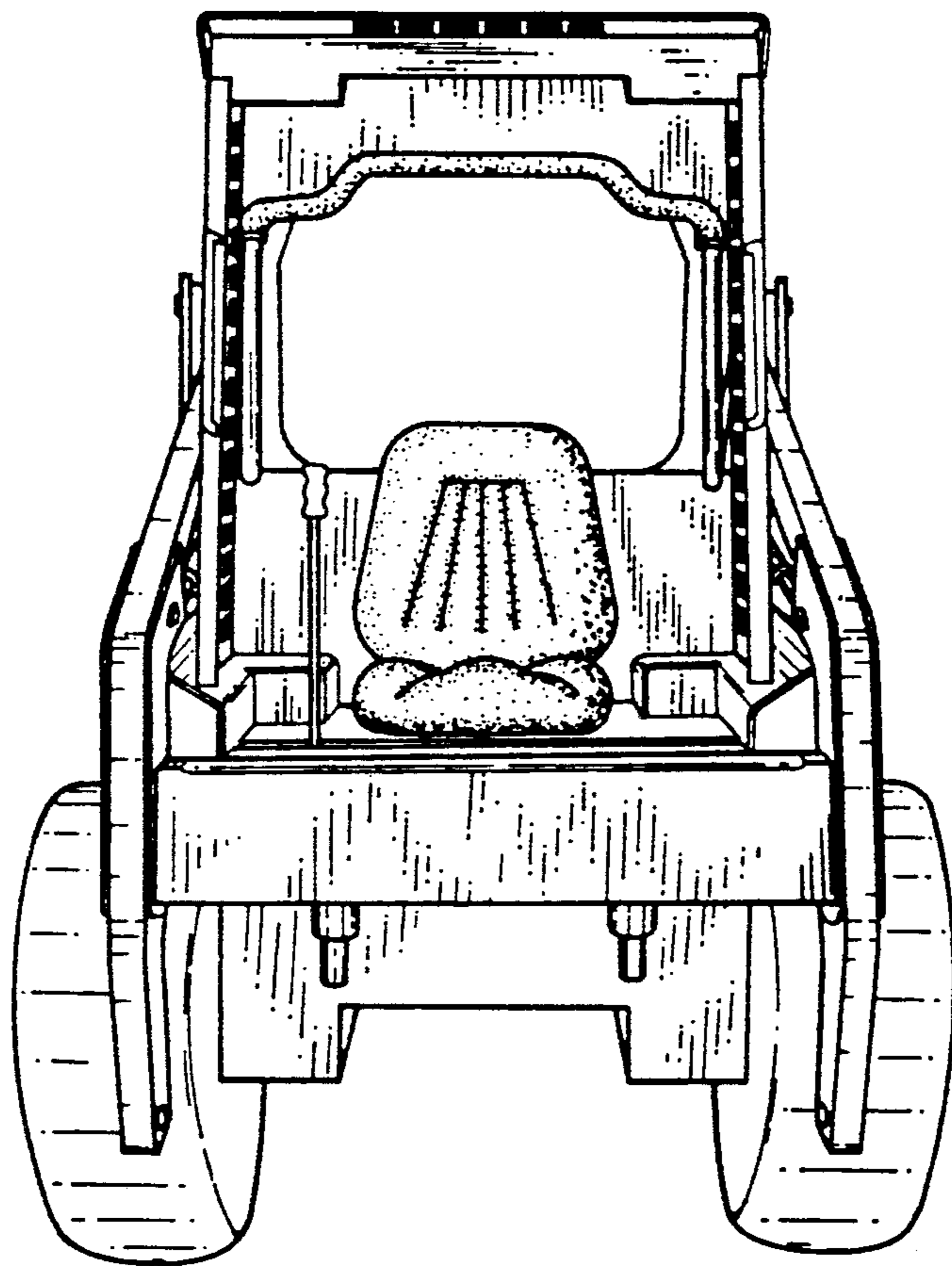


FIG. 5

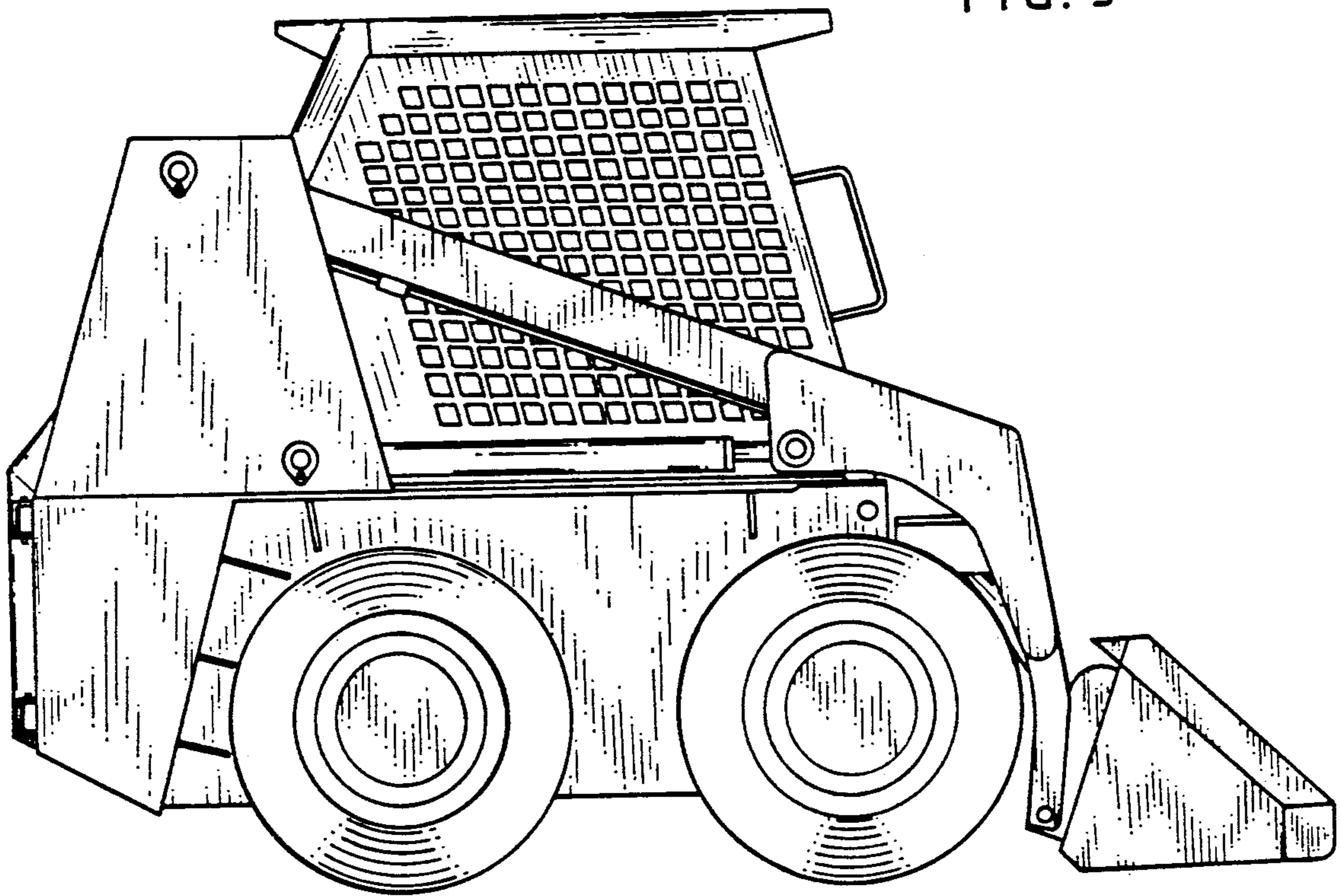


FIG. 6

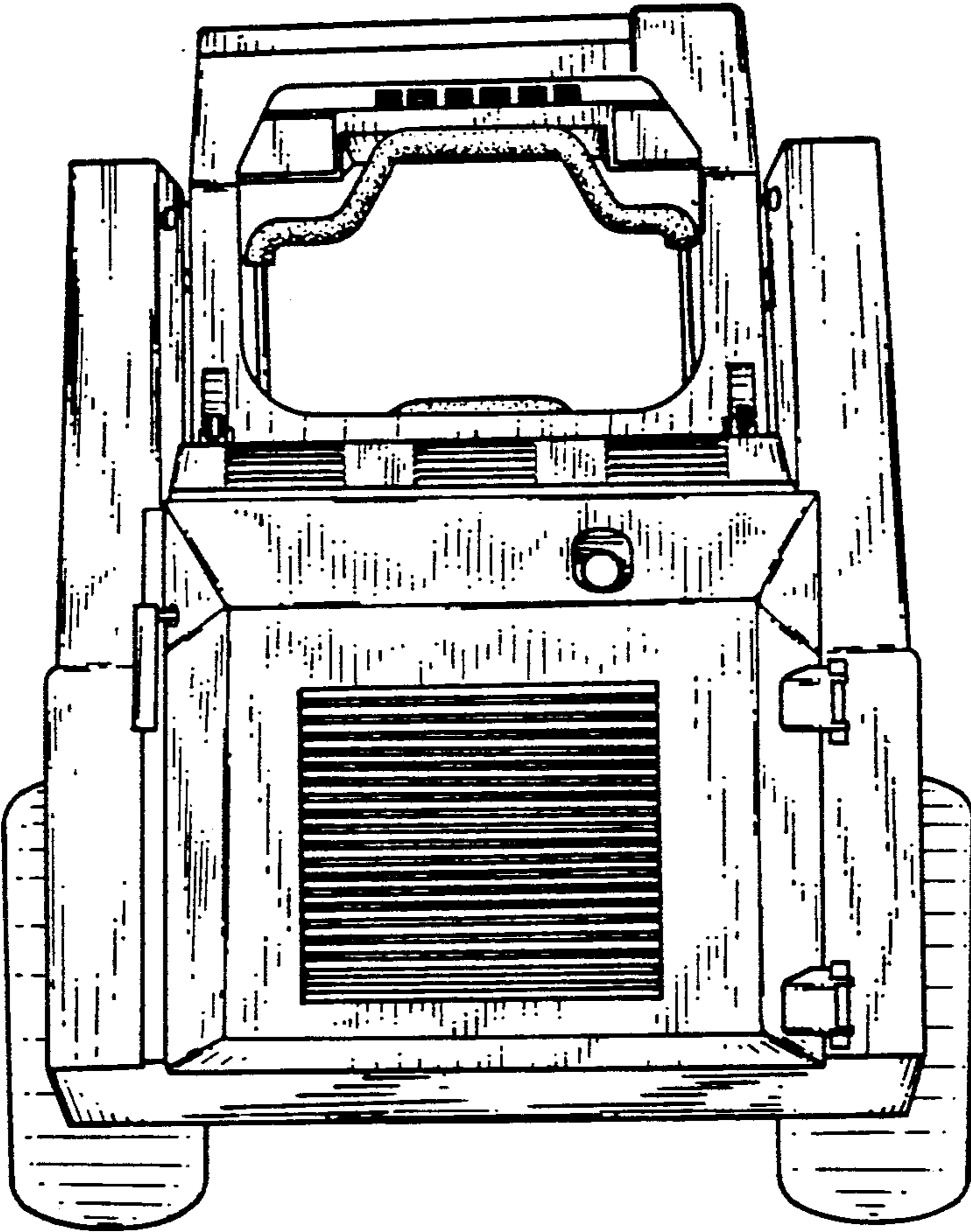


FIG. 7

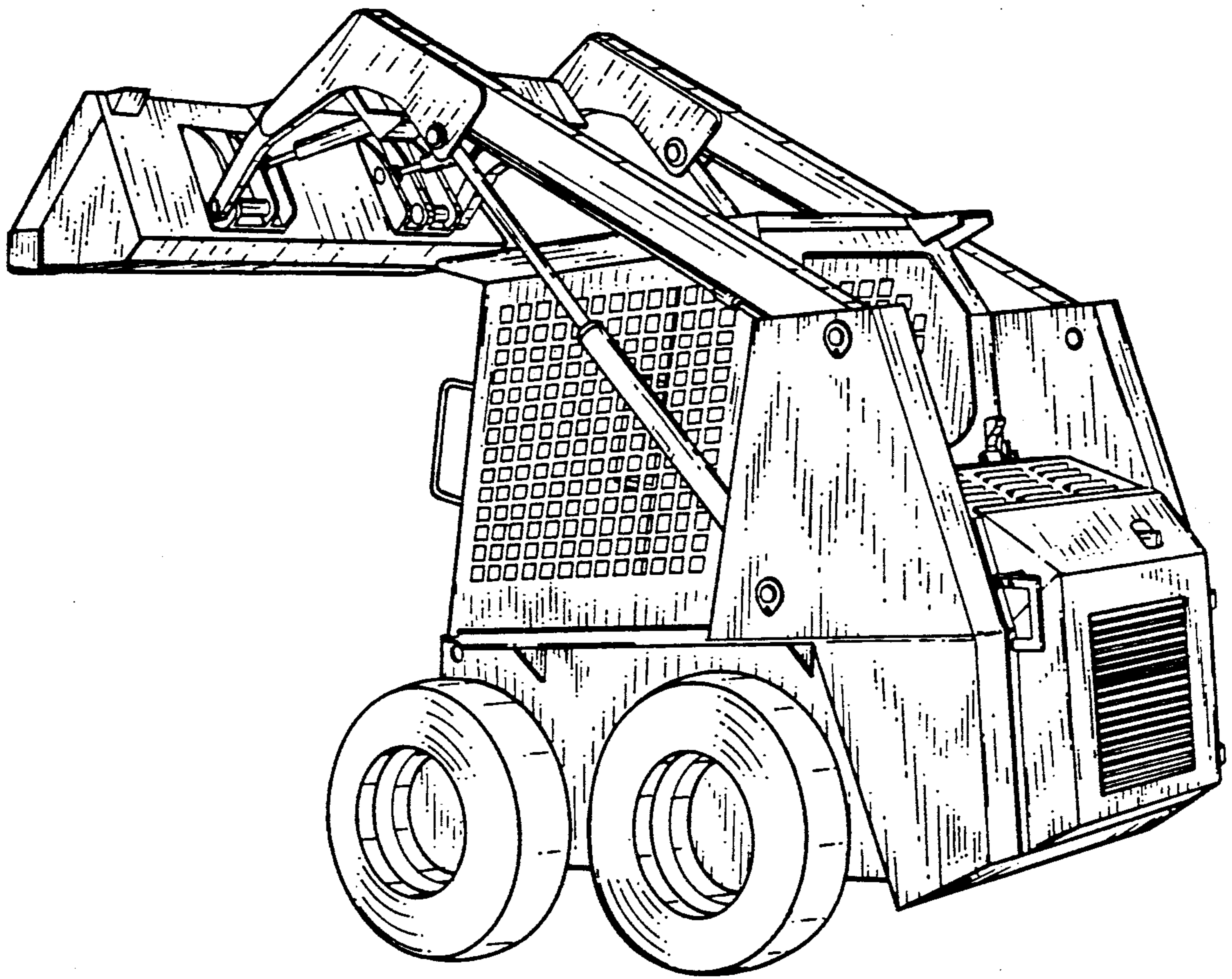


FIG. 8

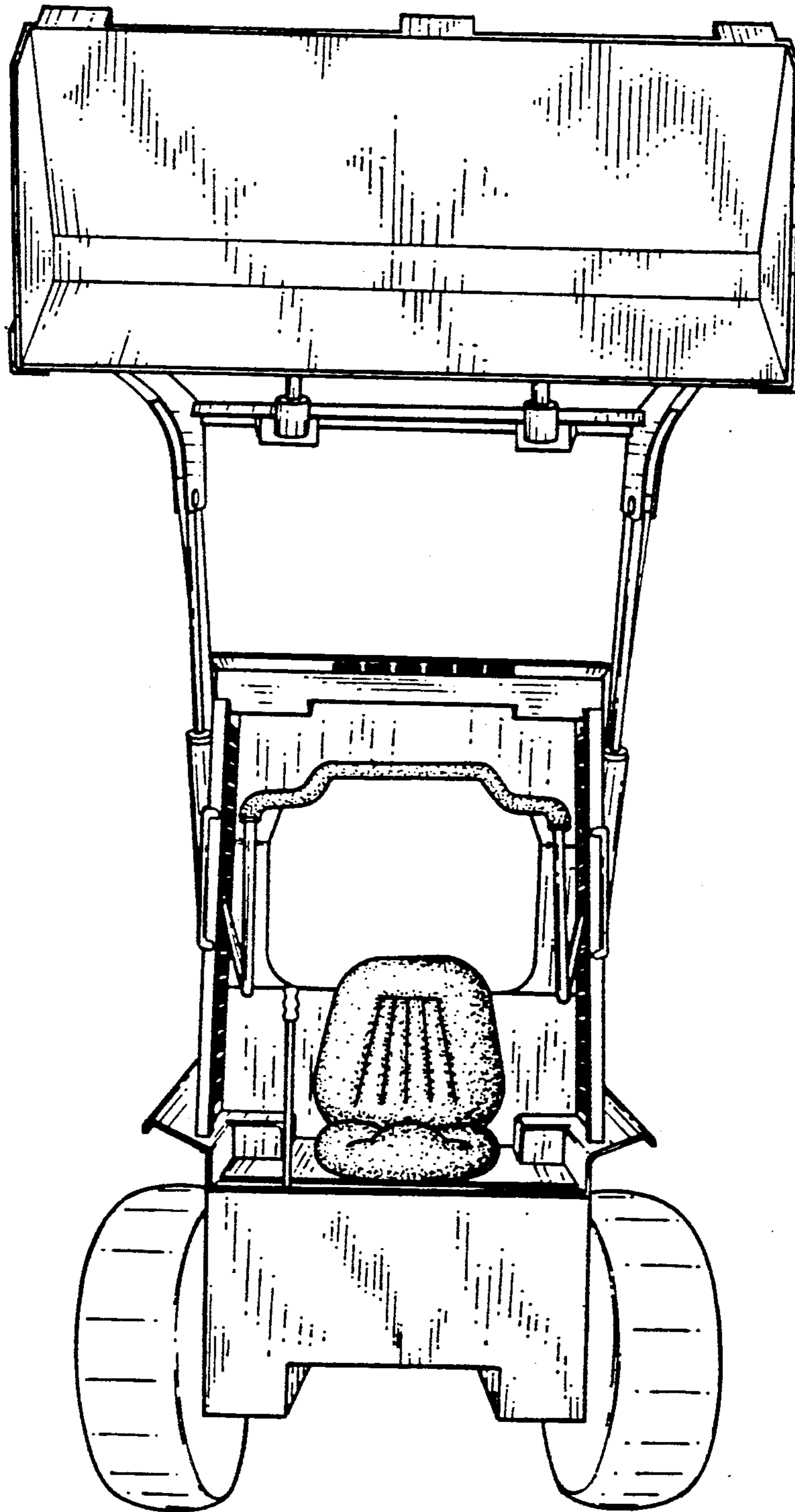


FIG. 9

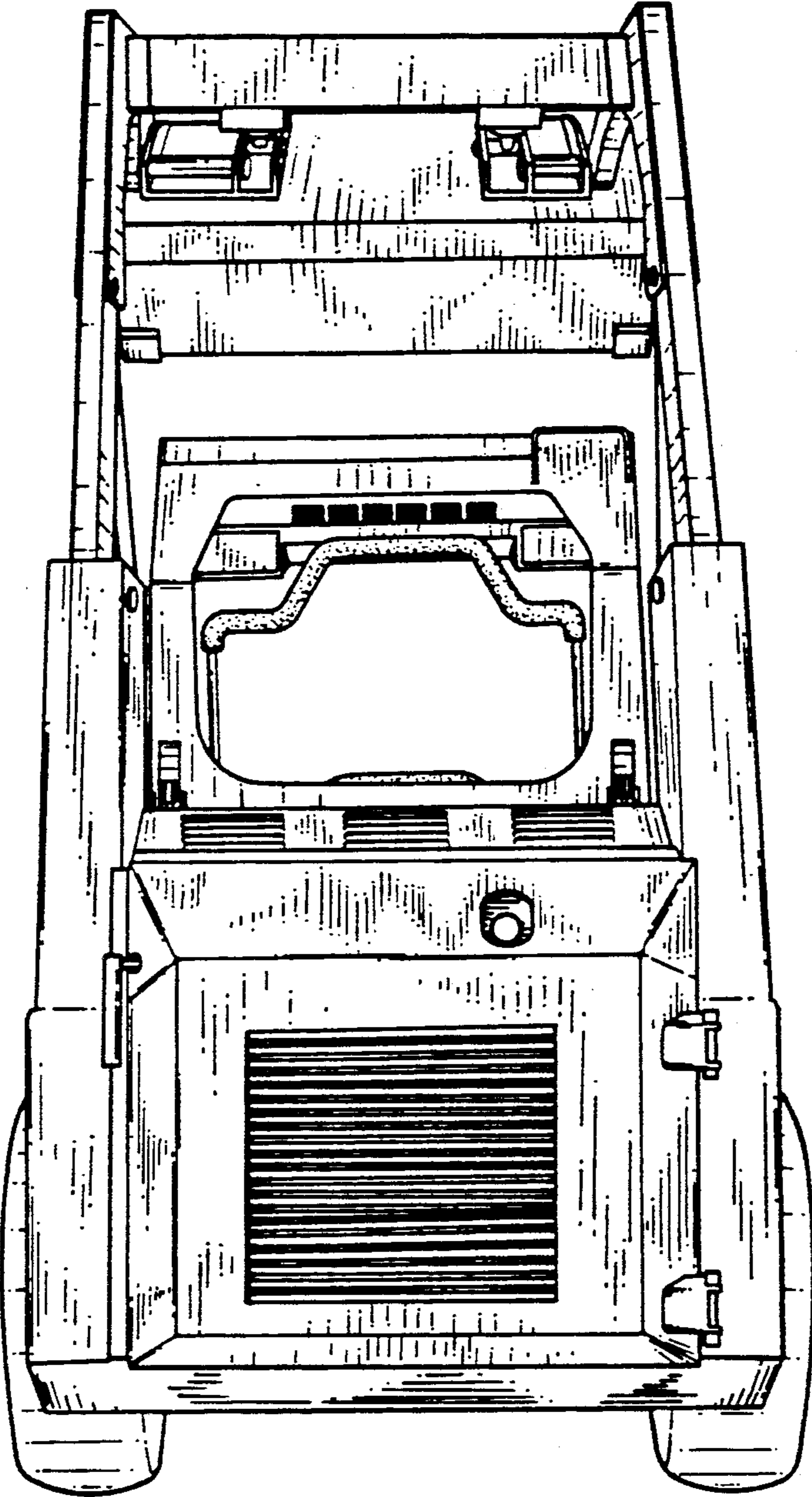


FIG.10

