

[54] PUMP SHROUD

[75] Inventor: Wayne M. Bekius, Milaca, Minn.

[73] Assignee: Wagner Spray Tech Corporation, Minneapolis, Minn.

[**] Term: 14 Years

[21] Appl. No.: 387,878

[22] Filed: Aug. 1, 1989

[52] U.S. Cl. D15/7; D15/1

[58] Field of Search D15/1, 5-9.1; 417/522, 388, 559, 310; 239/322, 302, 308; 137/523.17, 543.21; 118/300; 427/422; 60/325; 222/3

[56] References Cited

U.S. PATENT DOCUMENTS

57,035	2/1921	Cramer	D15/7
D. 129,690	9/1941	Kraissl, Jr.	D15/6
D. 143,366	12/1945	Tandler et al.	D15/1
D. 143,785	2/1946	Altman	D15/1

D. 217,399	4/1970	Whitney	D15/7
D. 249,264	9/1978	Bingler	D15/7

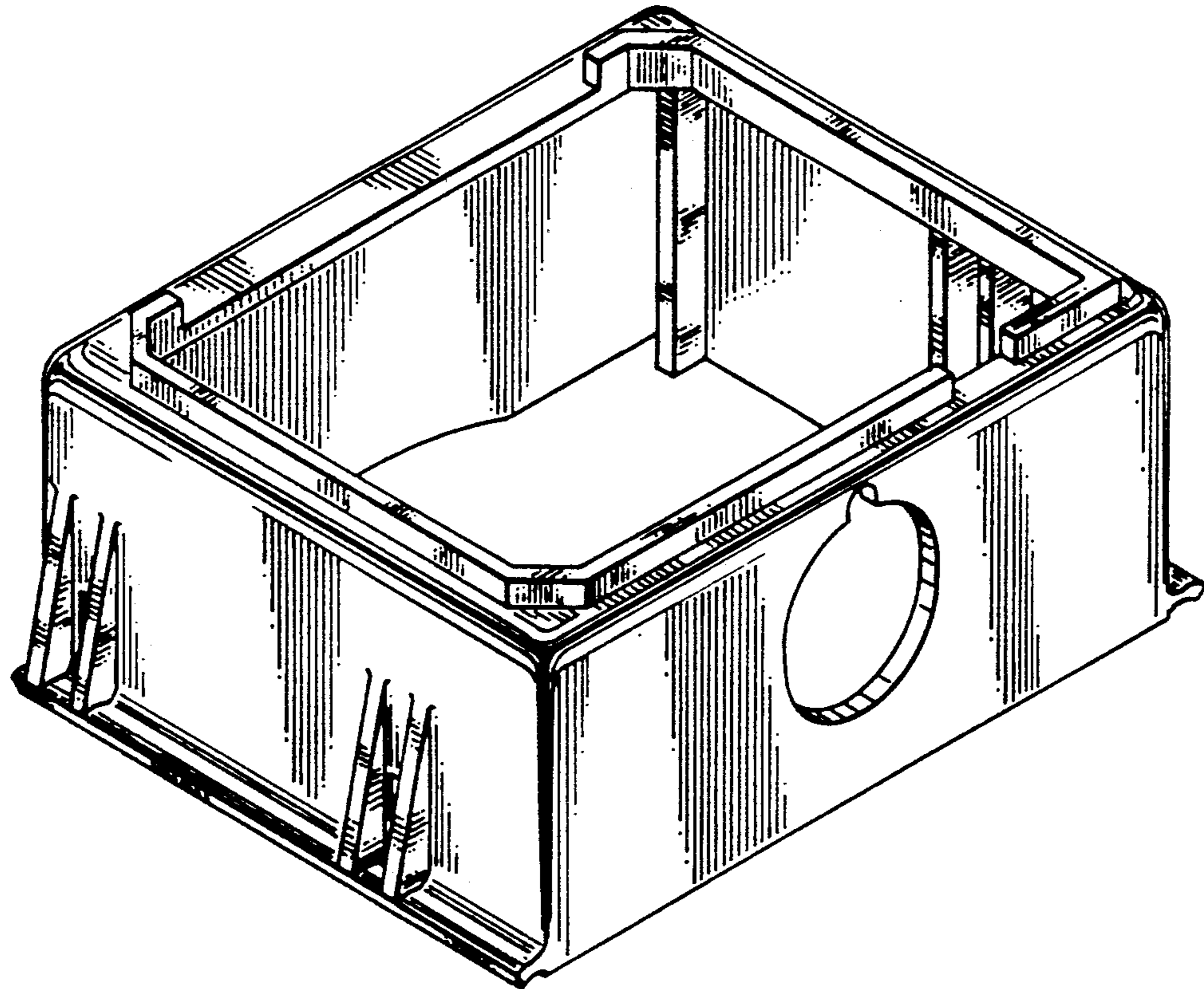
Primary Examiner—A. Hugo Word
Assistant Examiner—R. Seifert
Attorney, Agent, or Firm—Faegre & Benson

[57] CLAIM

The ornamental design for a pump shroud, as shown and described.

DESCRIPTION

FIG. 1 is a perspective view of a pump shroud showing my new design;
FIG. 2 is a left side elevational view shown on a reduced scale, the broken line showing of a pump is for illustrative purposes only and forms no part of the claimed design.
FIG. 3 is a top plan view;
FIG. 4 is a right side elevational view;
FIG. 5 is a bottom plan view;
FIG. 6 is a front elevational view; and
FIG. 7 is a rear elevational view.



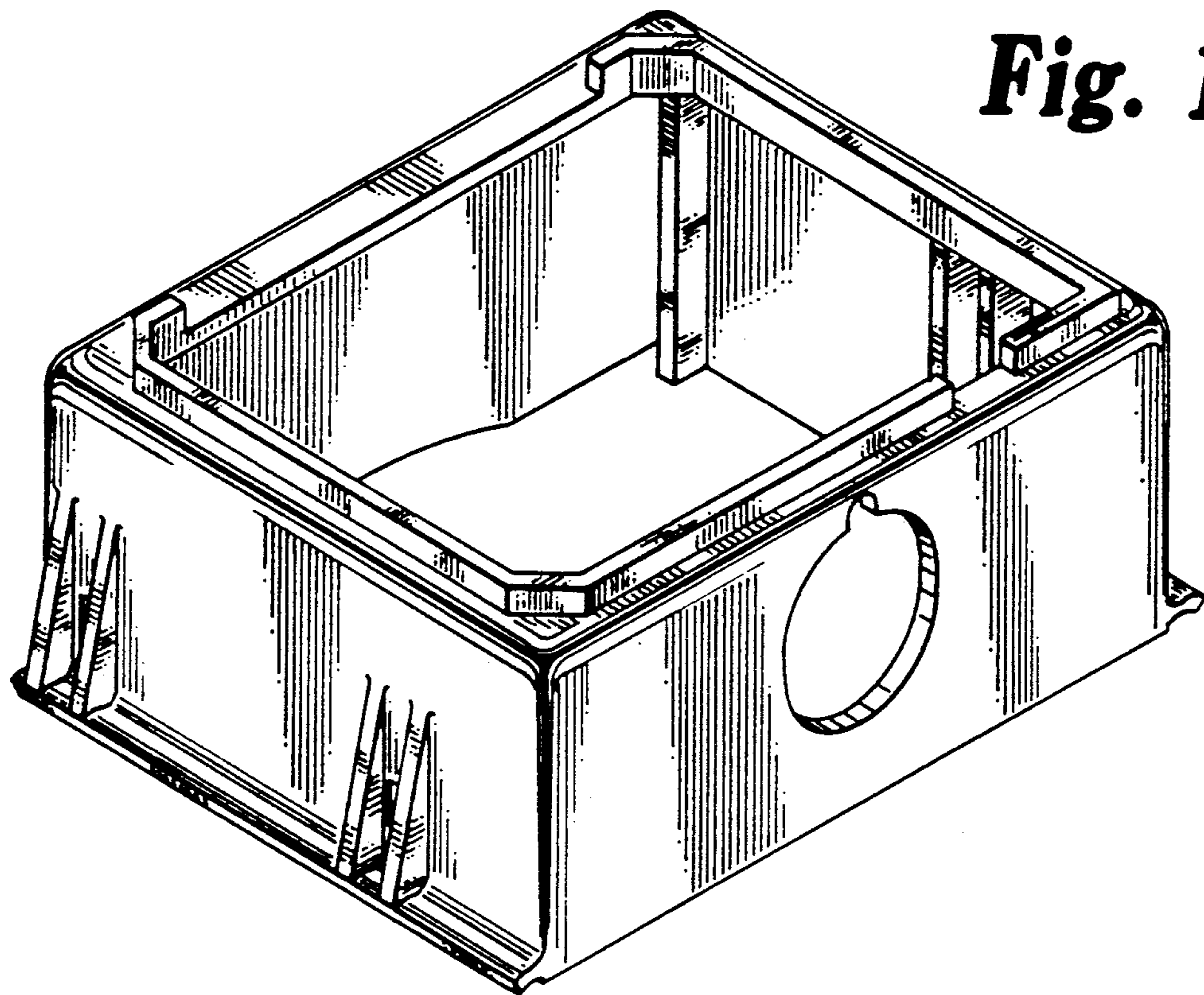


Fig. 1

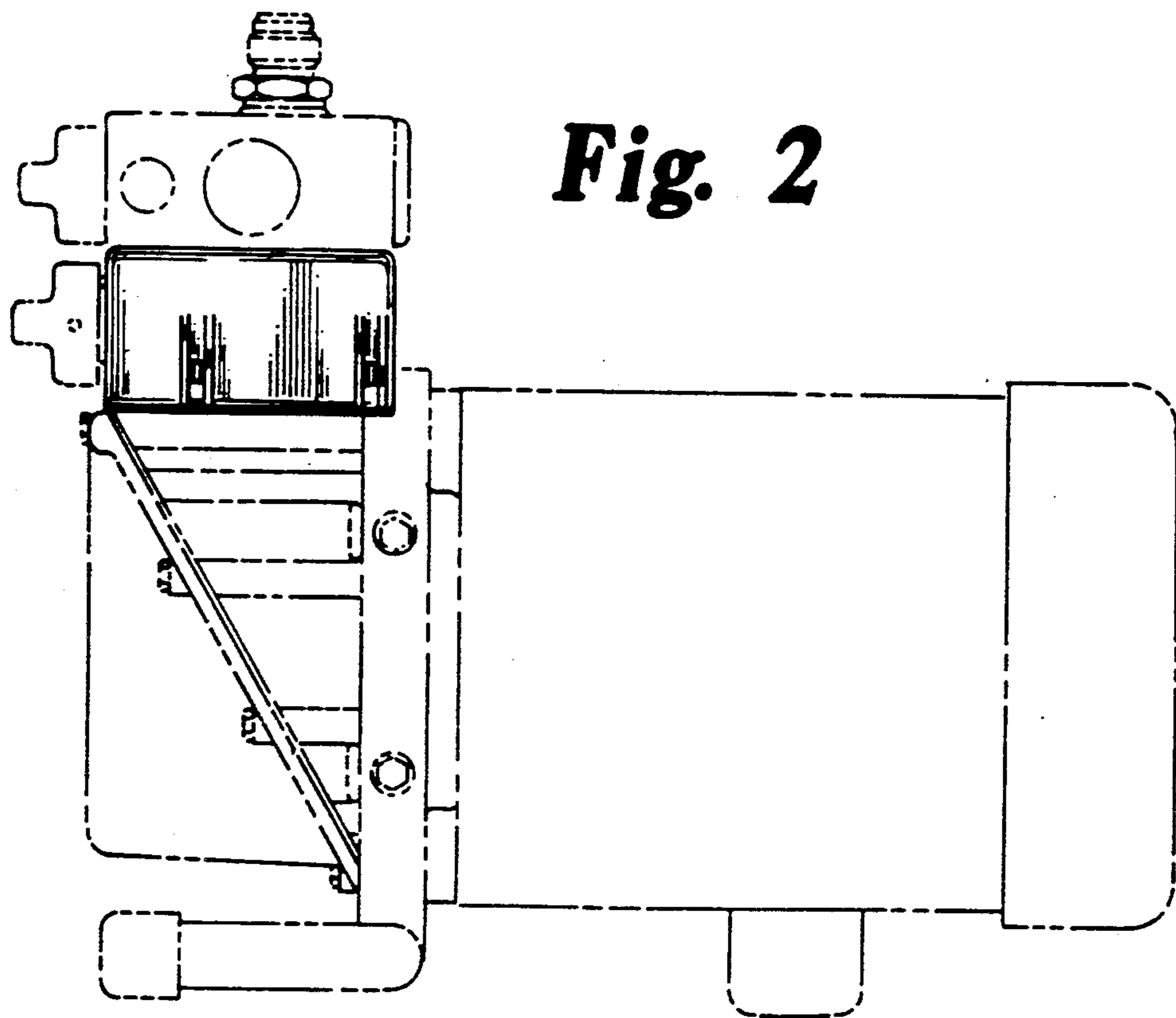


Fig. 2

Fig. 3

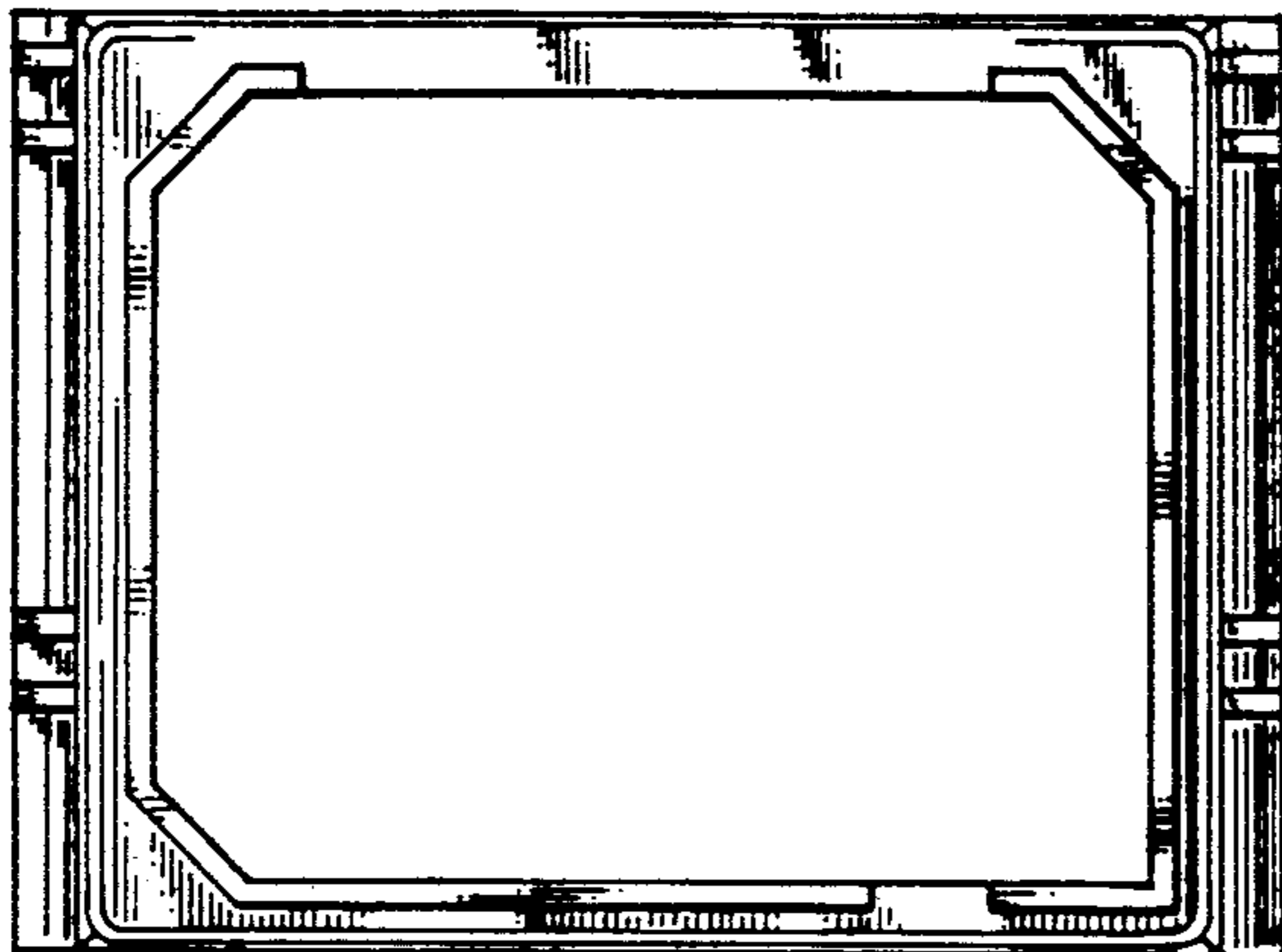


Fig. 4

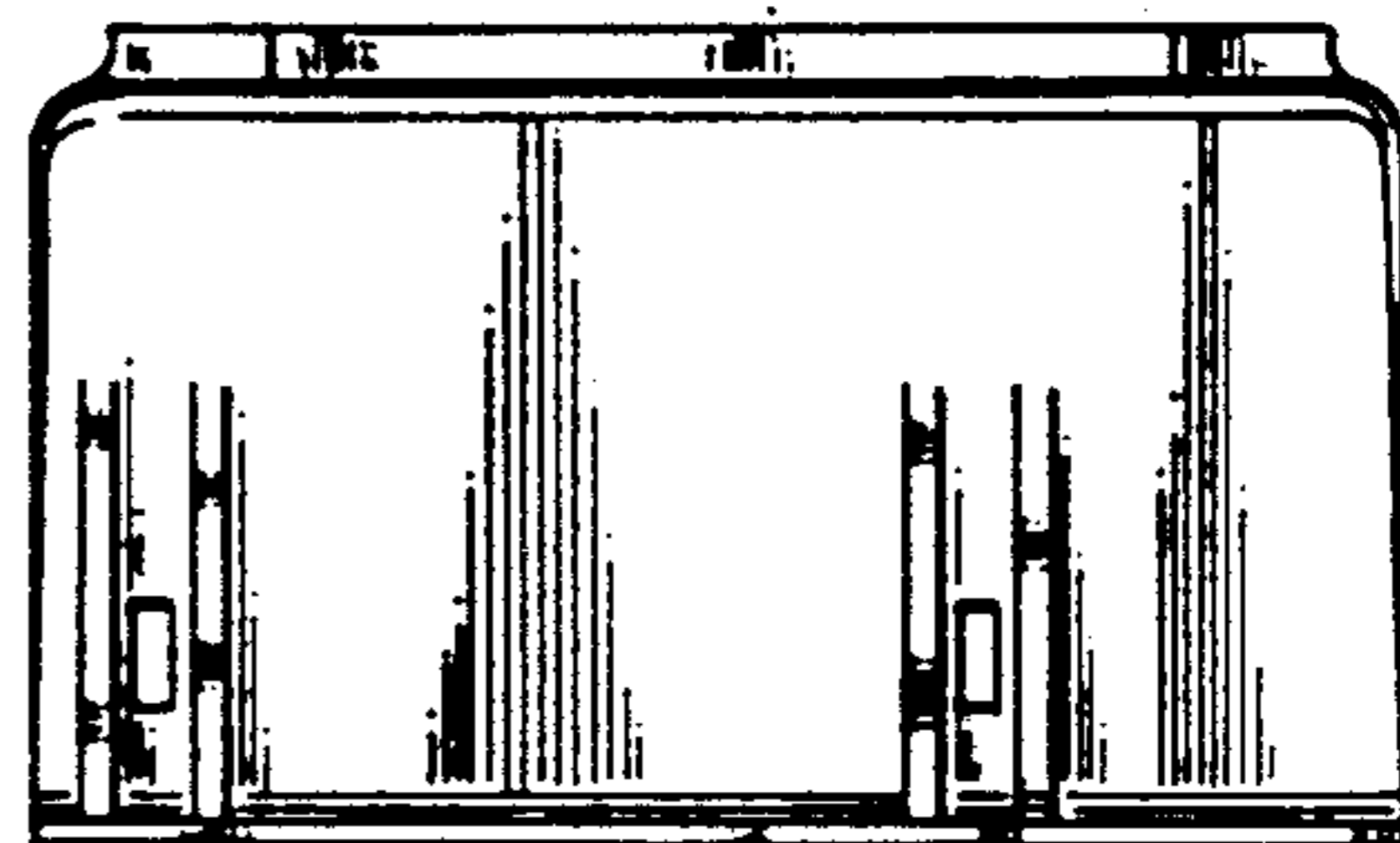


Fig. 5

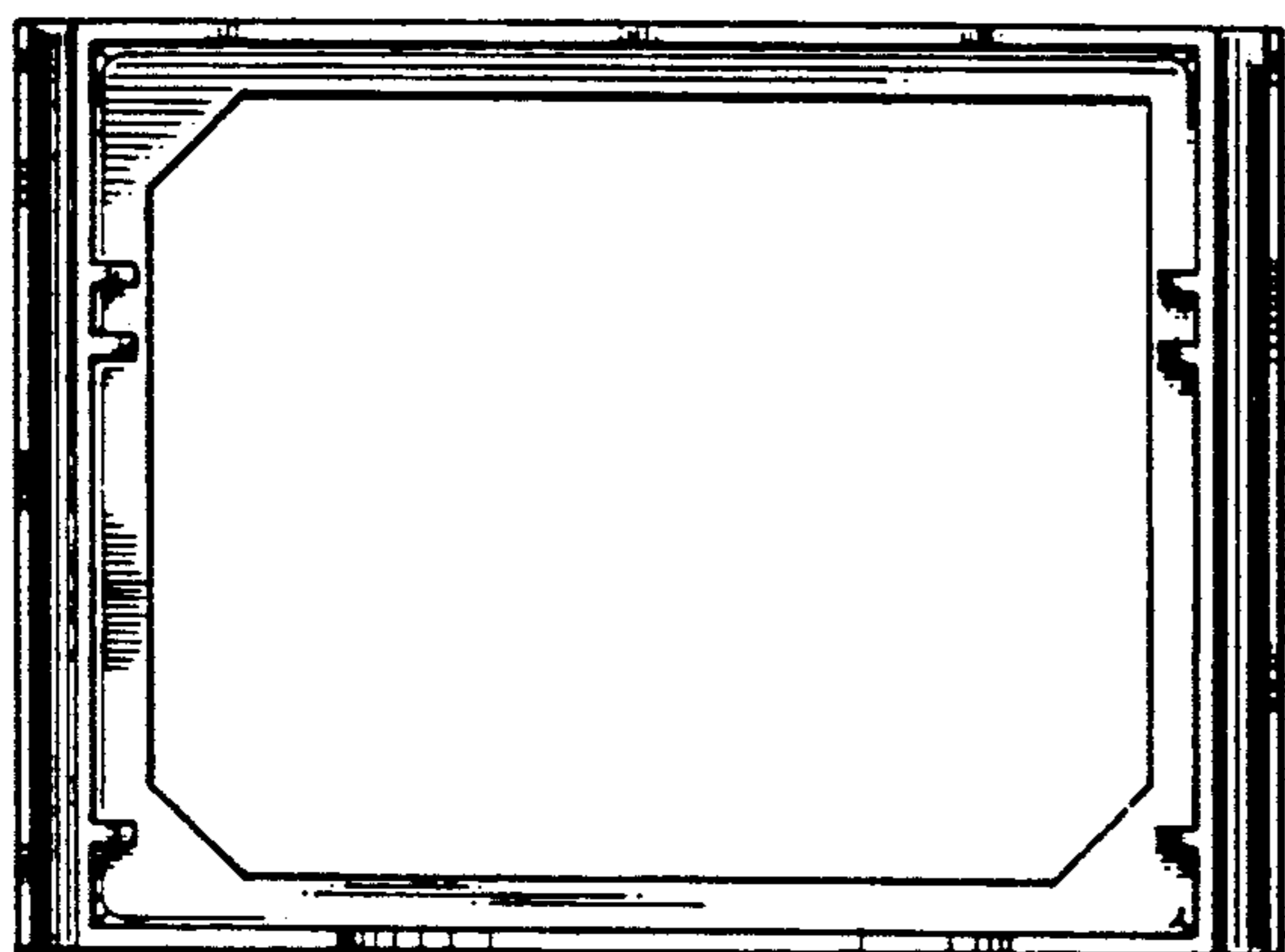


Fig. 6

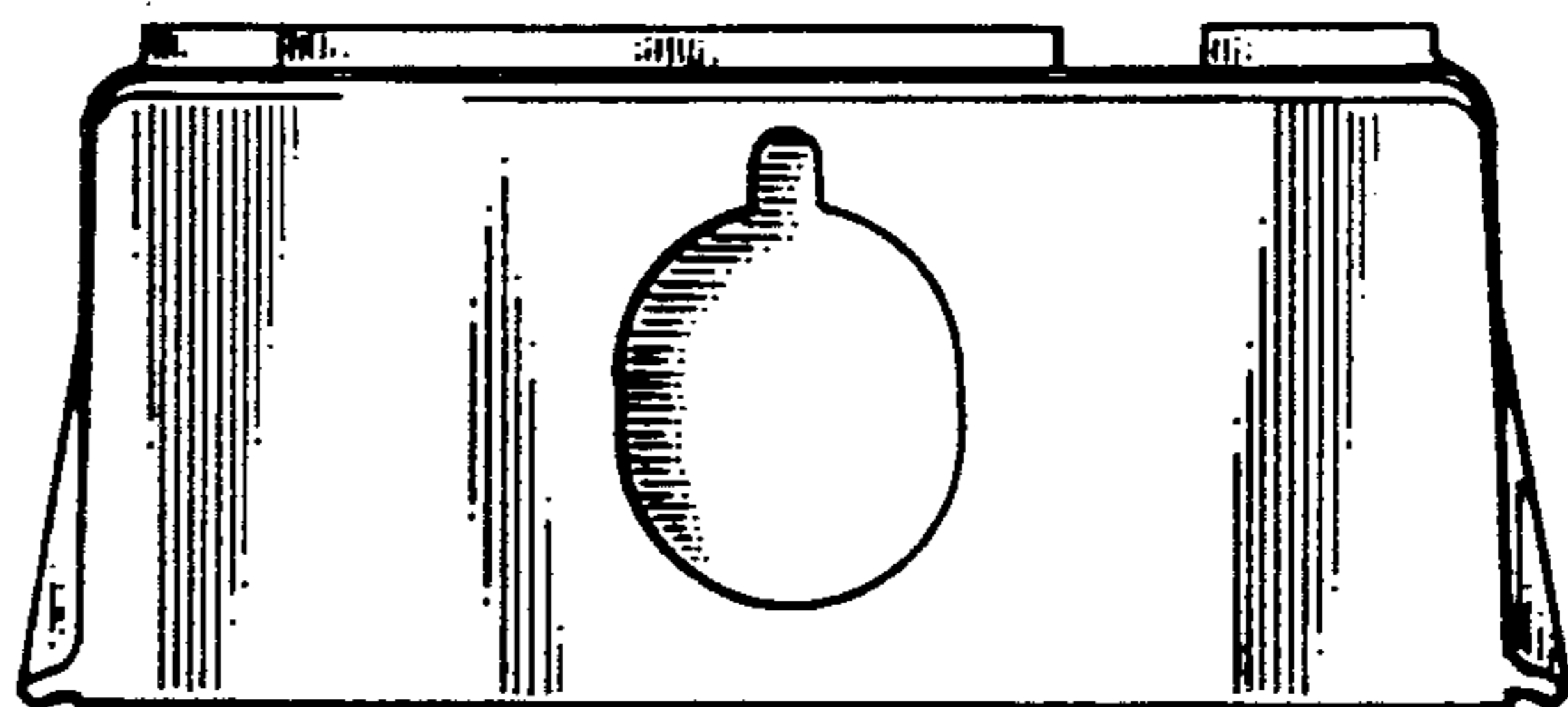


Fig. 7

