

# United States Patent [19]

McCauley et al.

[11] Patent Number: Des. 322,789

[45] Date of Patent: \*\* Dec. 31, 1991

[54] FRONT PANEL FOR A COMBINED RADIO AND CASSETTE TAPE PLAYER

[75] Inventors: Gilbert L. McCauley, Detroit; Victor Kruk, Livonia; John C. Sames, Clarkston; Andrew D. Magic, Livonia; Thomas C. Slanec, Grosse Pointe Woods, all of Mich.

[73] Assignee: Chrysler Corporation, Highland Park, Mich.

[\*\*] Term: 14 Years

[21] Appl. No.: 316,340

[22] Filed: Feb. 27, 1989

[52] U.S. Cl. .... D14/258; D14/157

[58] Field of Search ..... D14/157, 257-258, D14/299; 455/345, 346

### [56] References Cited

#### U.S. PATENT DOCUMENTS

D. 292,398 10/1987 Kifer et al. .... D14/258  
D. 298,133 10/1988 Tokiyama et al. .... D14/157

D. 308,524 6/1990 Pinardi et al. .... D14/258  
D. 315,567 3/1991 McCauley et al. .... D14/157 X

### OTHER PUBLICATIONS

J. C. Whitney & Co. Catalog No. 487V, p. 16, top right-item c—Custom-Fit Radio.

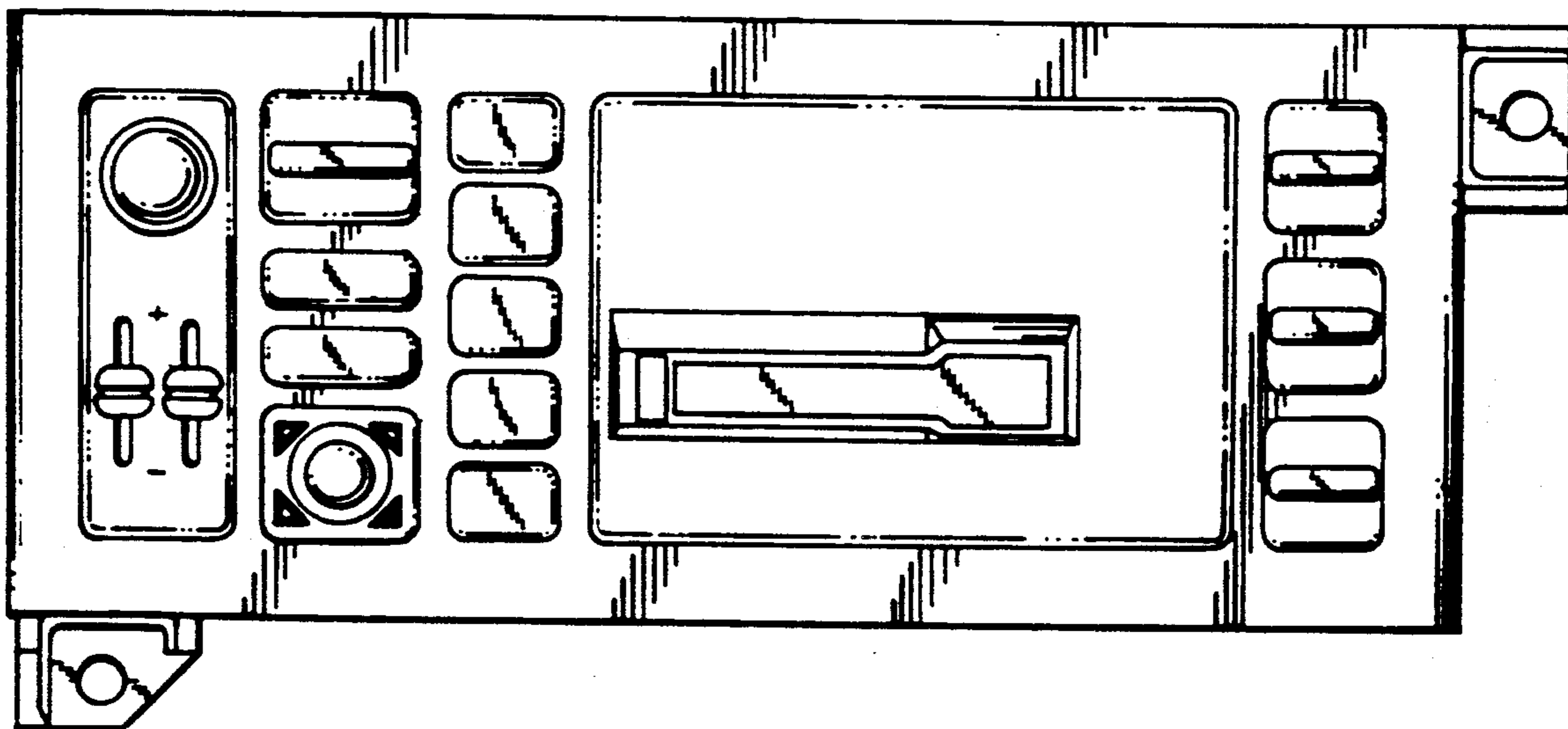
Primary Examiner—Theodore M. Shooman  
Attorney, Agent, or Firm—Edward A. Craig

### [57] CLAIM

The ornamental design for front panel for a combined radio and cassette tape player, as shown and described.

### DESCRIPTION

FIG. 1 is a top plan view of front panel for a combined radio and cassette tape player showing our new design; FIG. 2 is a front elevational view thereof; FIG. 3 is a bottom plan view thereof; FIG. 4 is a left side elevational view thereof; and FIG. 5 is a right side elevational view thereof. The housing shown in broken lines in FIGS. 1 and 3-5 is shown for illustrative purposes only and forms no part of the claimed design.



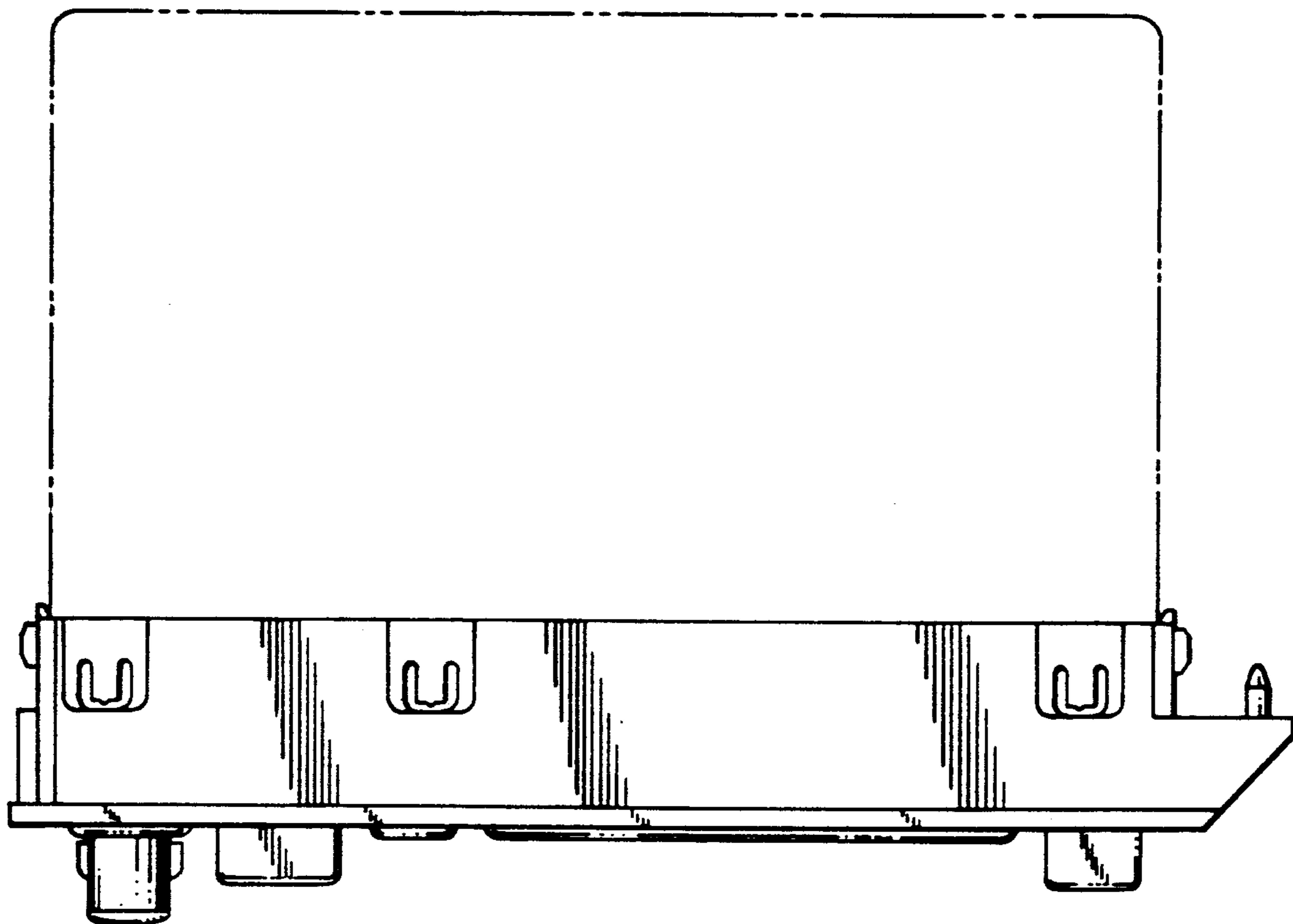
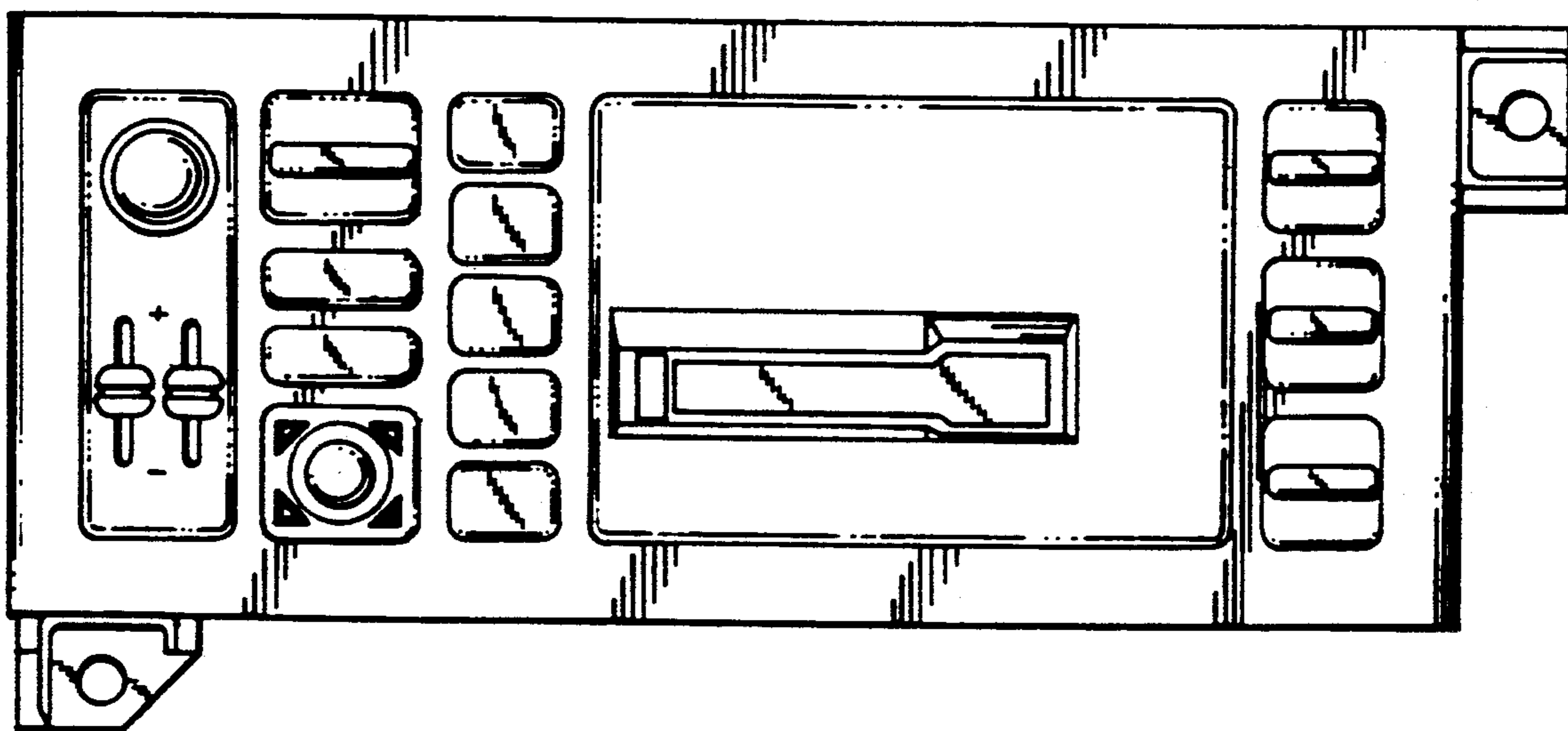


FIG. 1

FIG. 2



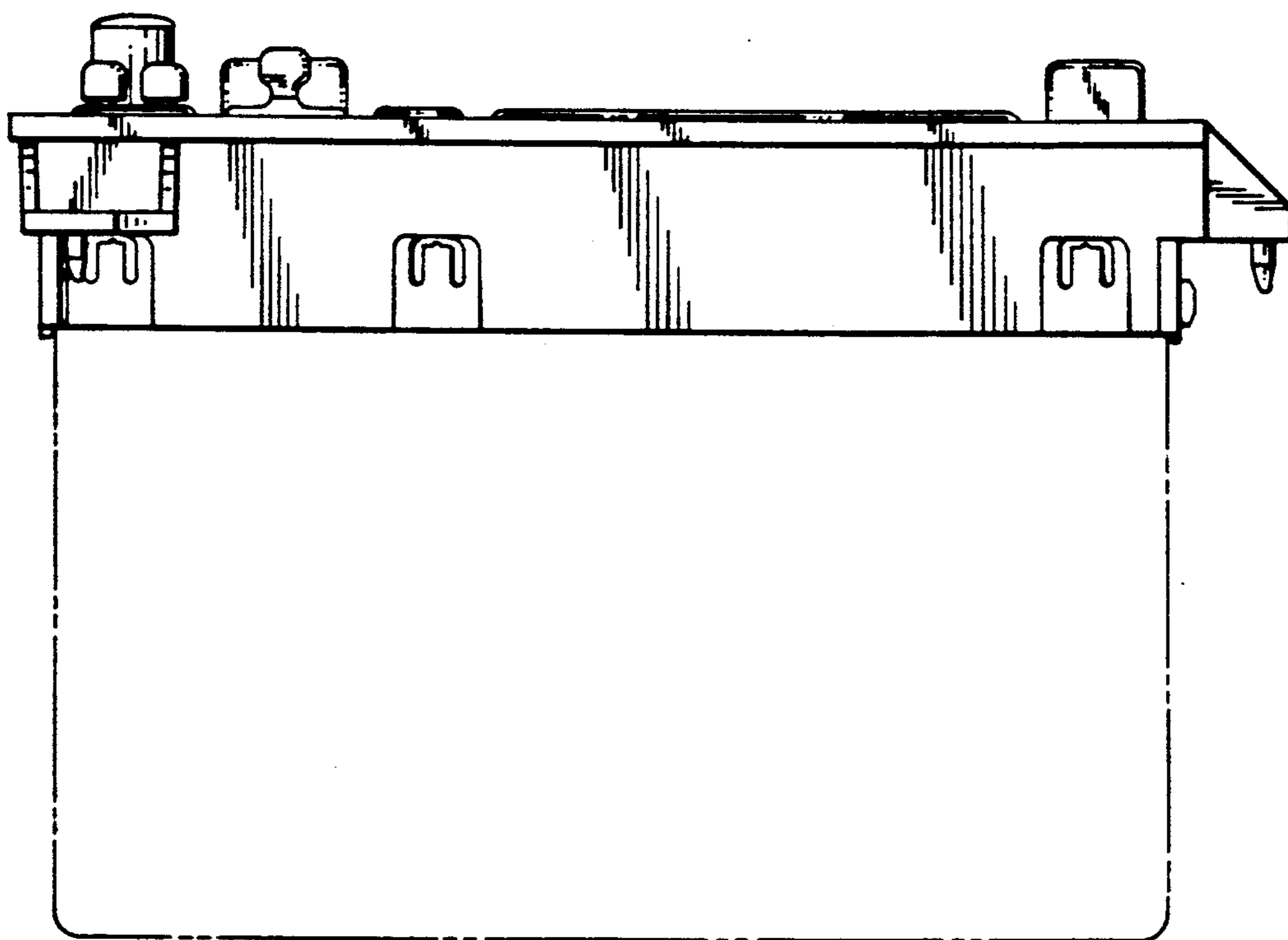


FIG. 3

FIG. 4

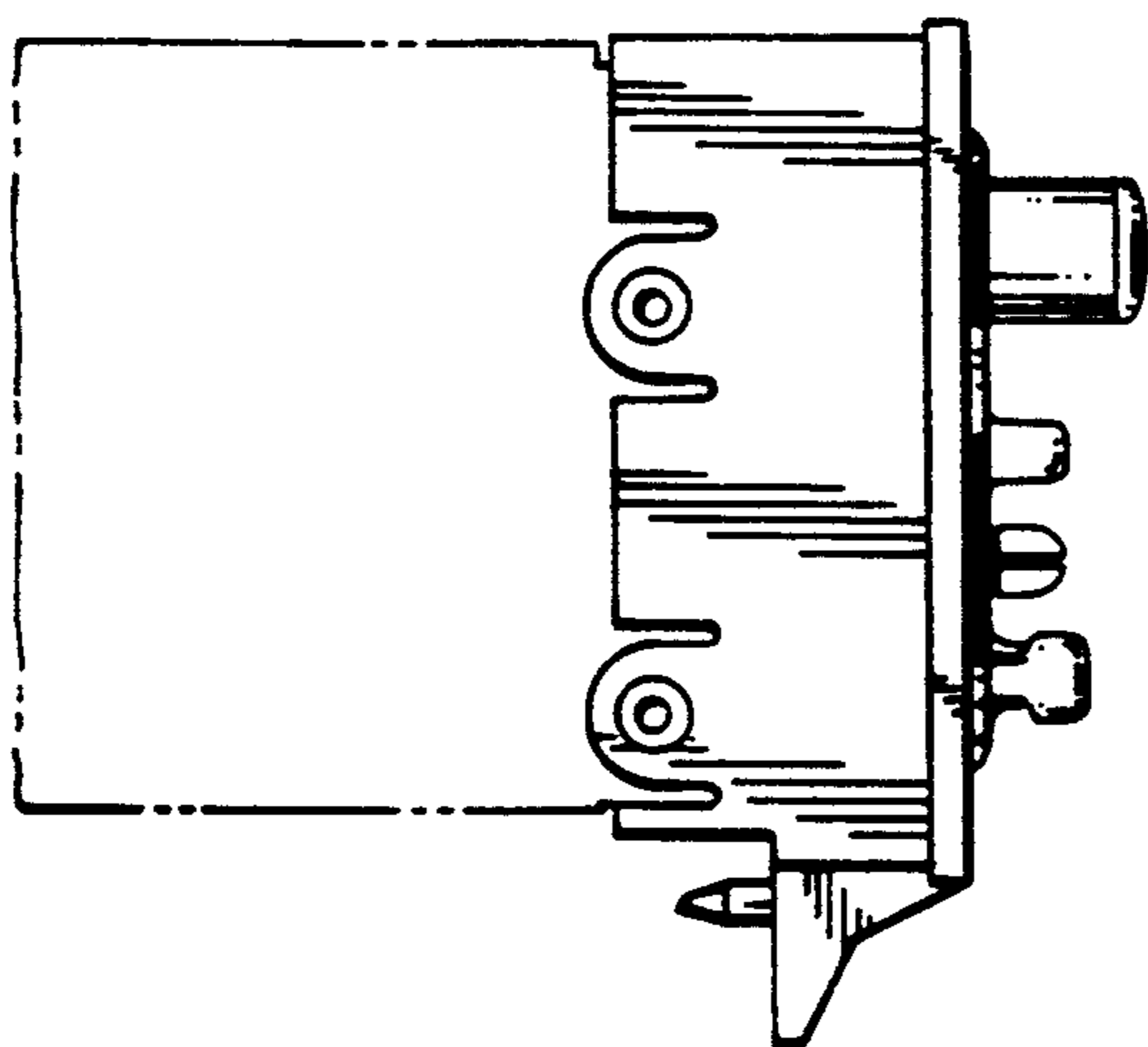


FIG. 5

