

United States Patent [19]

Foy et al.

[11] Patent Number: Des. 322,784

[45] Date of Patent: ** Dec. 31, 1991

- [54] BASE FOR A TELEPHONE SET
- [75] Inventors: Jerome Foy, Montreal; Gad J. Shaanan, Westmount, both of Canada
- [73] Assignee: Northern Telecom Limited, Montreal, Canada
- [**] Term: 14 Years
- [21] Appl. No.: 598,448
- [22] Filed: Oct. 11, 1990
- [52] U.S. Cl. D14/150; D14/142
- [58] Field of Search D14/150, 142; 379/436, 379/440, 428

- [56] **References Cited**
U.S. PATENT DOCUMENTS
 - D. 275,195 8/1984 Endt D14/150
 - D. 278,904 5/1985 White D14/150
 - D. 279,894 7/1985 Marshall D14/150
 - D. 285,068 8/1986 Haagaard D14/150

- D. 288,808 3/1987 Asaki et al. D14/150
- D. 294,825 3/1988 Coons et al. D14/150
- D. 300,217 3/1989 Iino D14/150
- D. 300,430 3/1989 Moss D14/150
- D. 303,668 9/1989 Kwan D14/142
- D. 315,156 3/1991 Diehl et al. D14/150

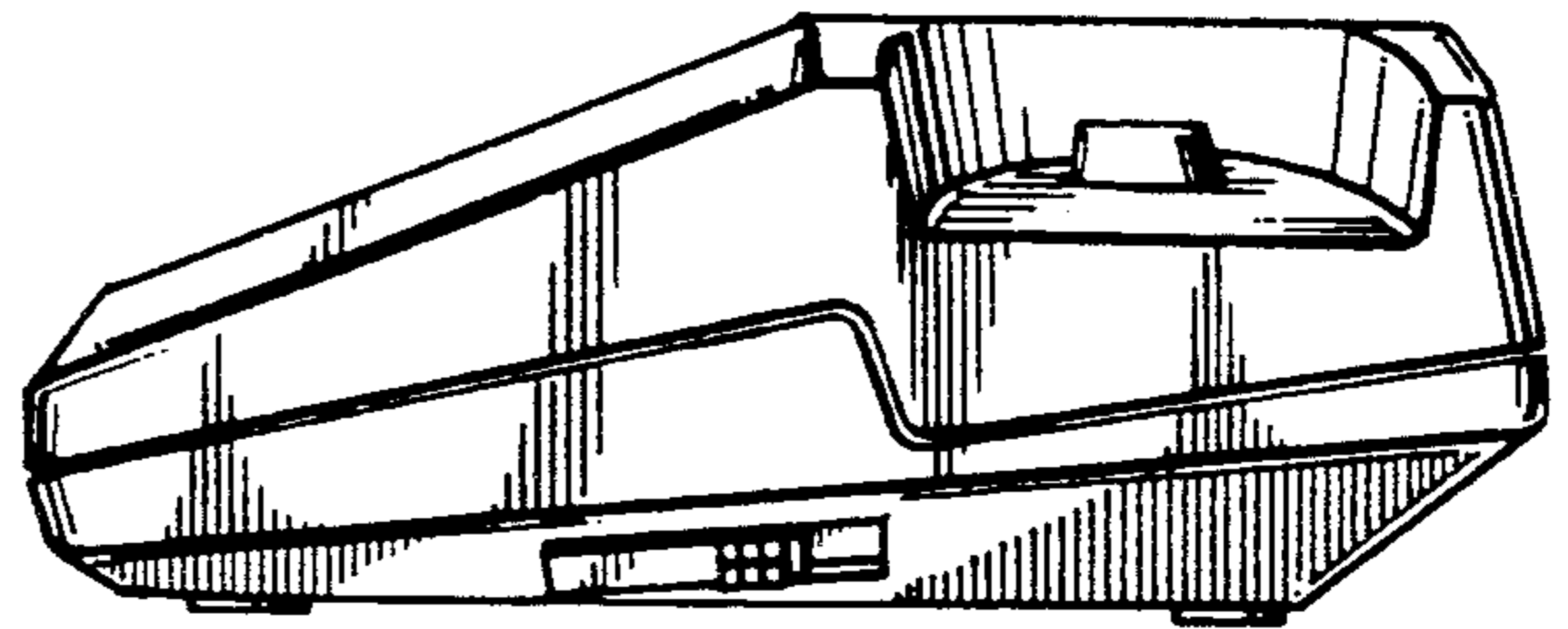
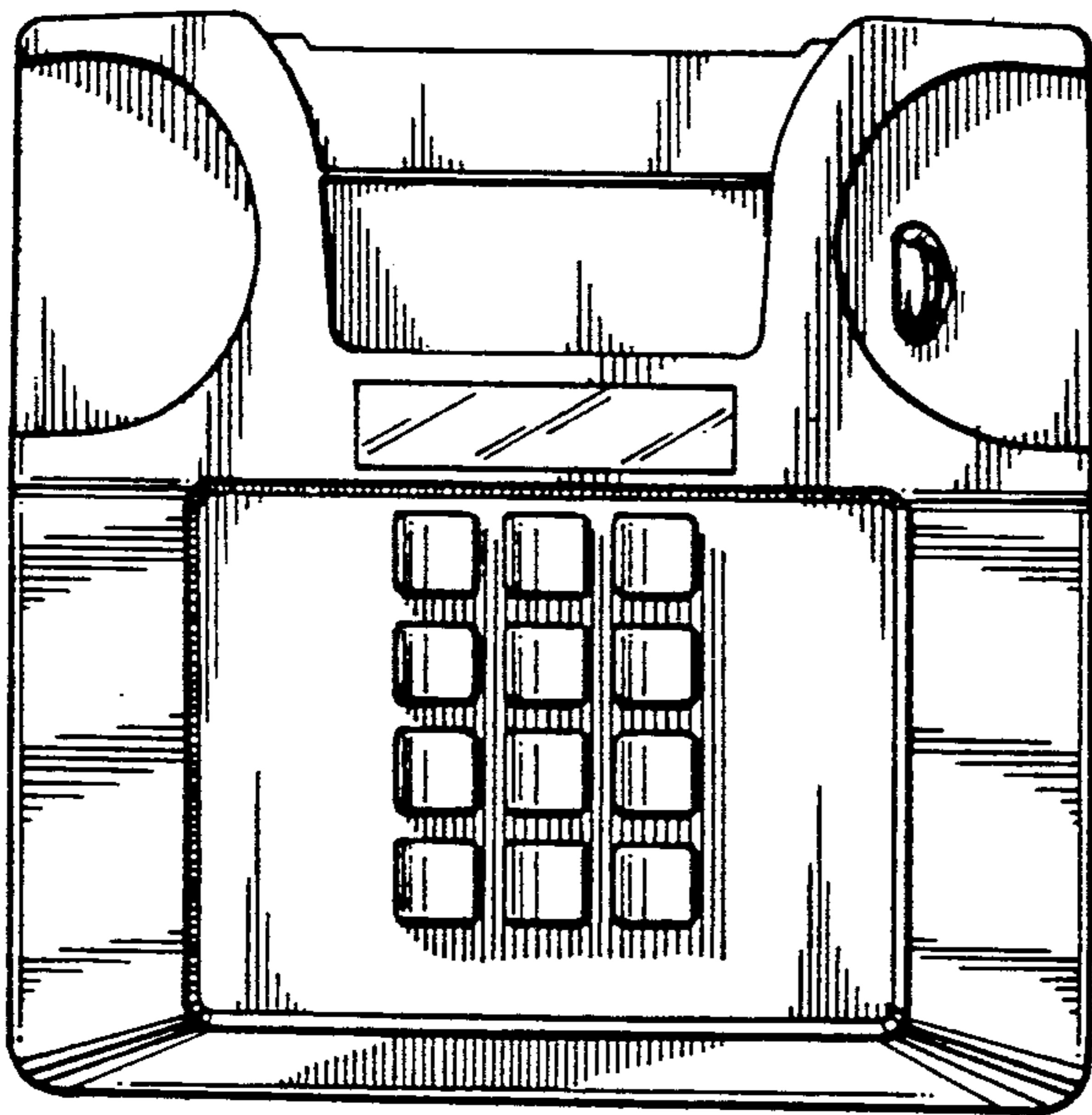
Primary Examiner—Horace B. Fay, Jr.
Attorney, Agent, or Firm—R. J. Austin

[57] **CLAIM**

The ornamental design for a base for a telephone set, as shown and described.

DESCRIPTION

FIGS. 1 and 2 are respectively top and bottom plan views of a base for a telephone set showing our new design;
FIGS. 3 and 4 are respectively left and right side elevational views thereof;
FIGS. 5 and 6 are respectively front and rear elevational views thereof; and
FIG. 7 is a front, top and right perspective view thereof.



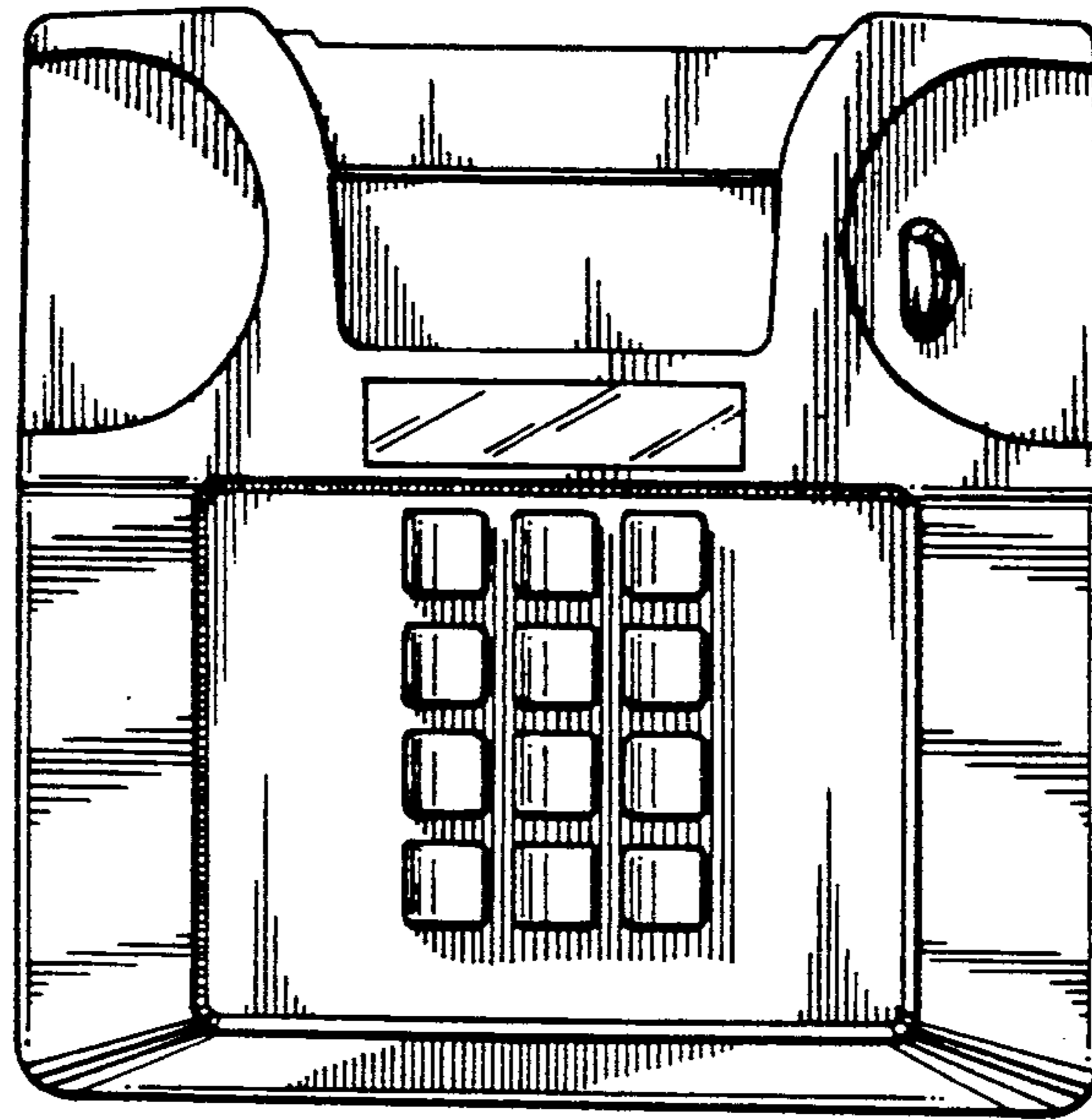


FIG. 1

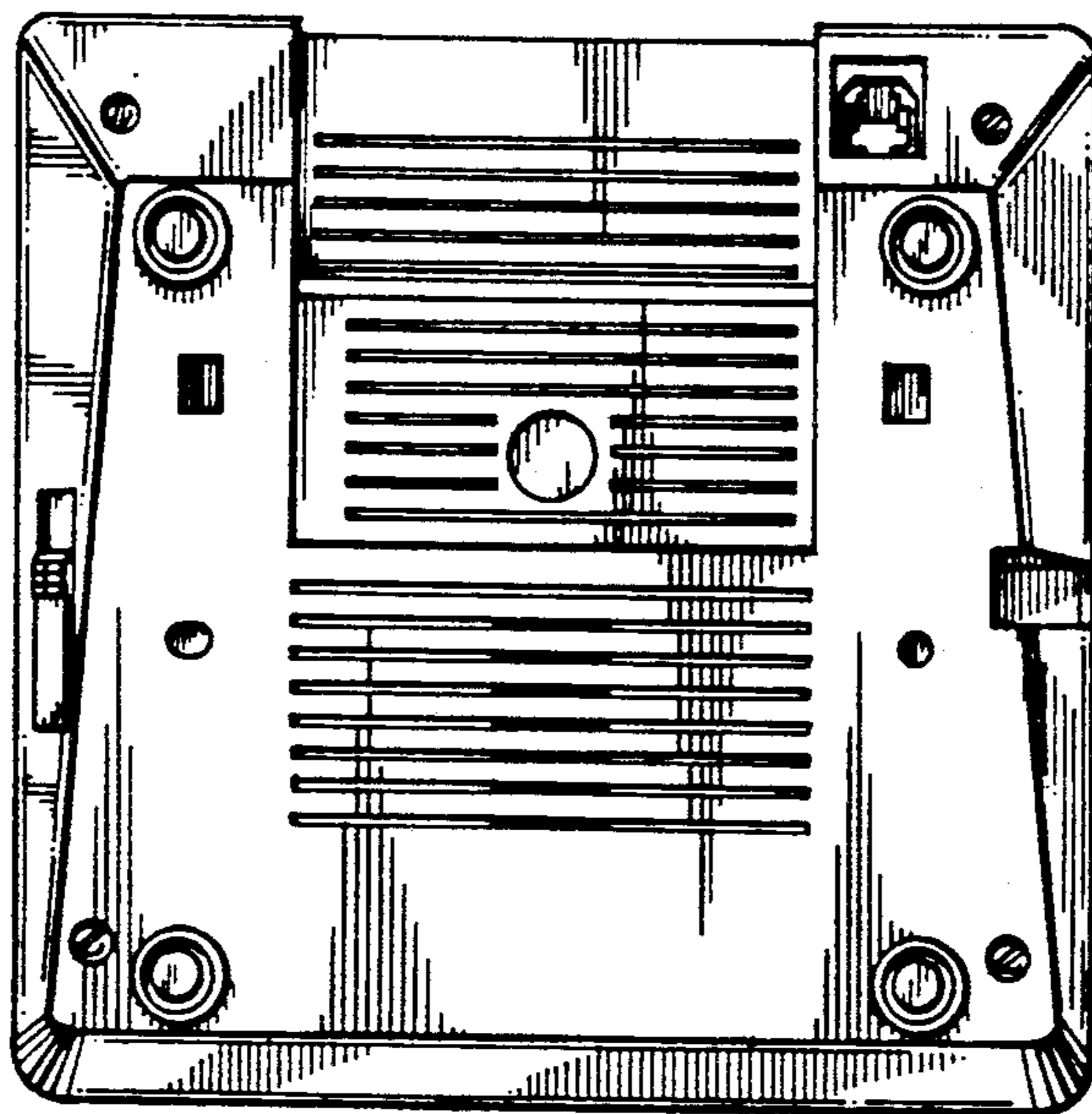


FIG. 2

FIG. 3

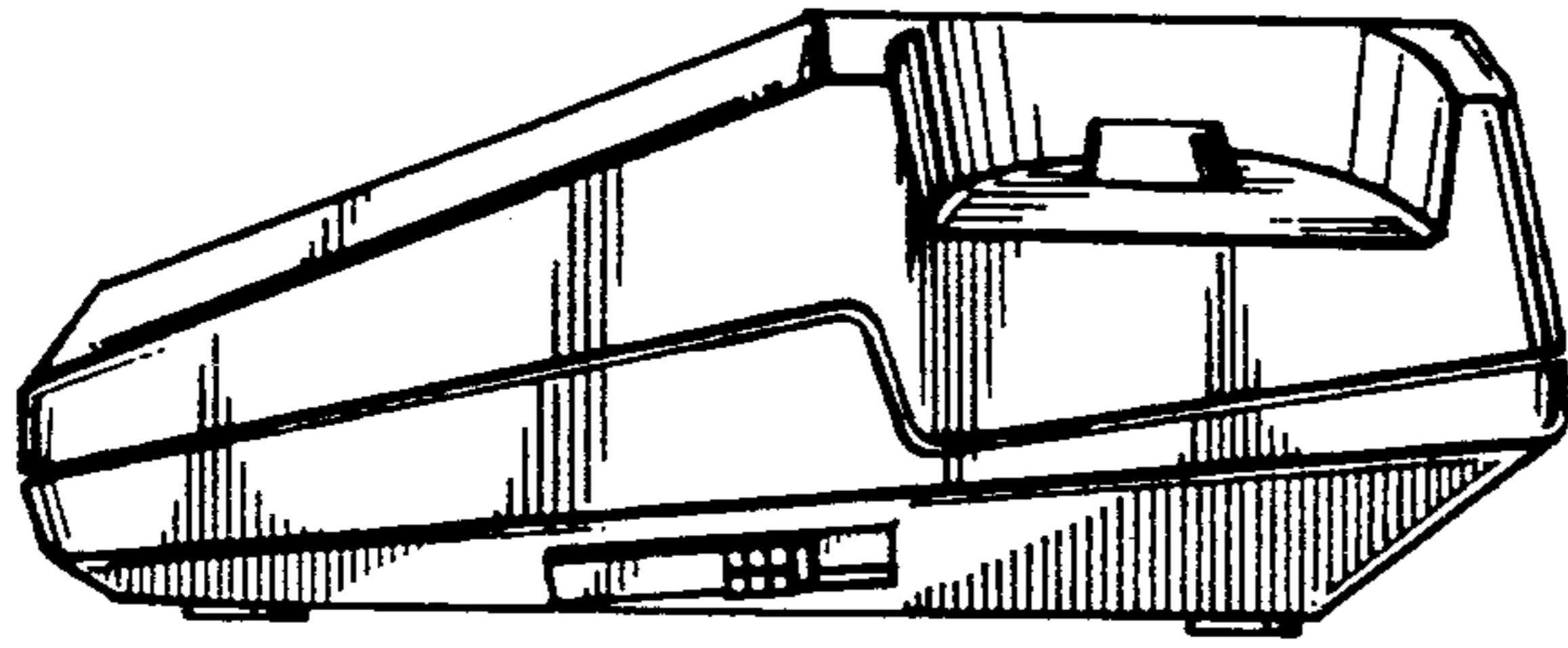
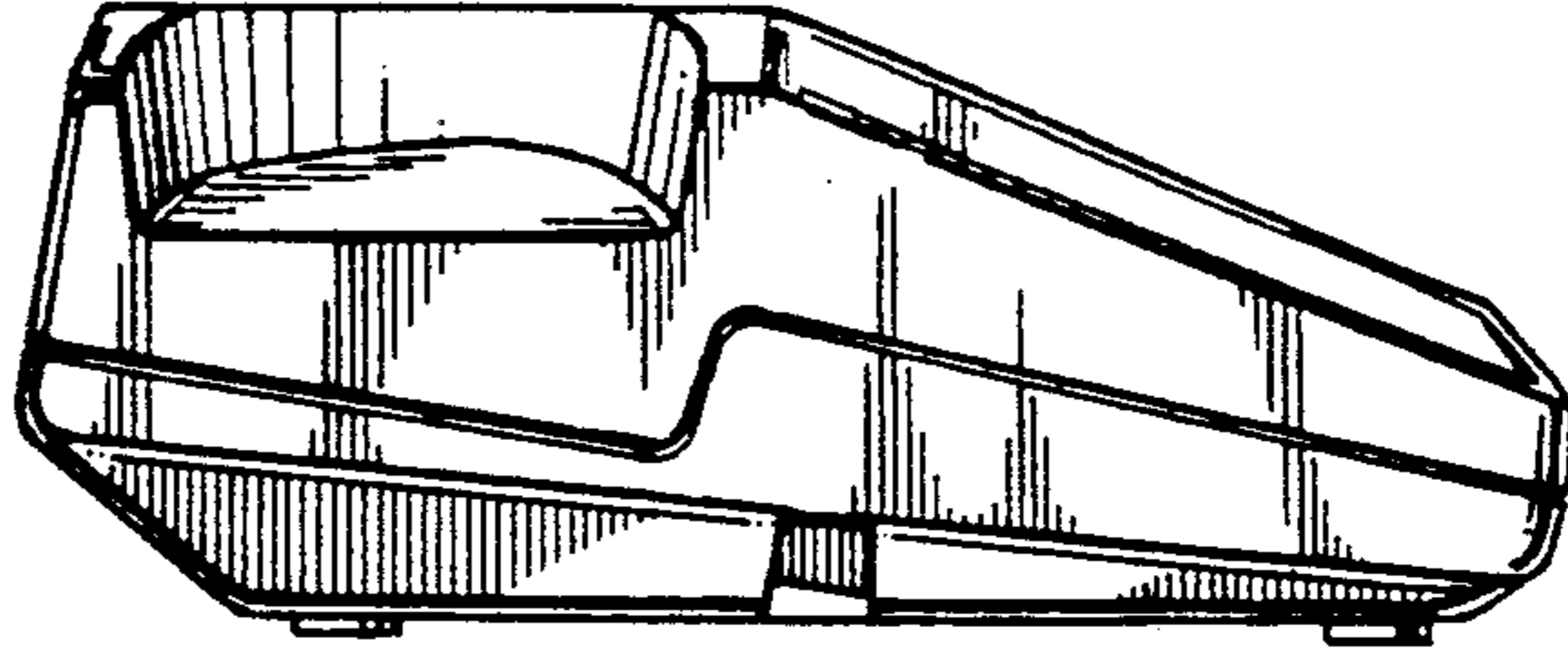


FIG. 4

FIG. 5

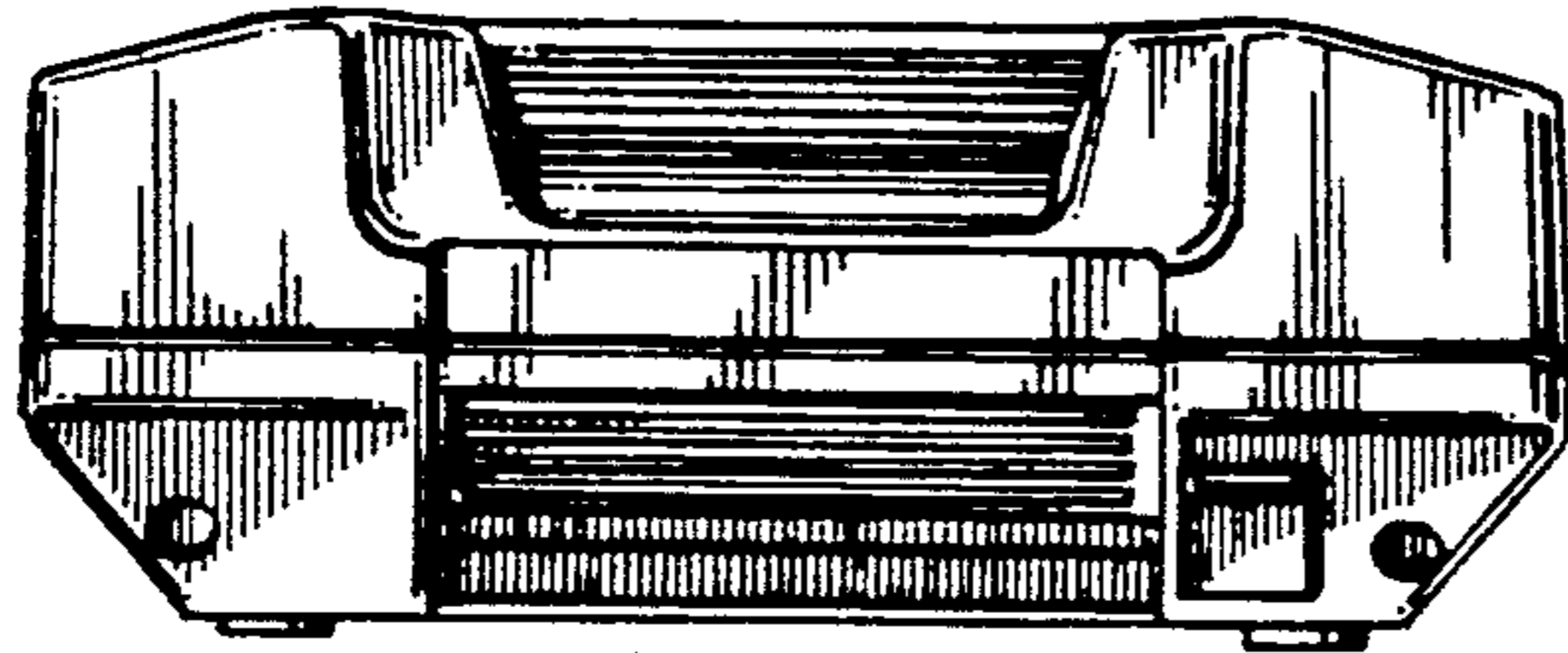
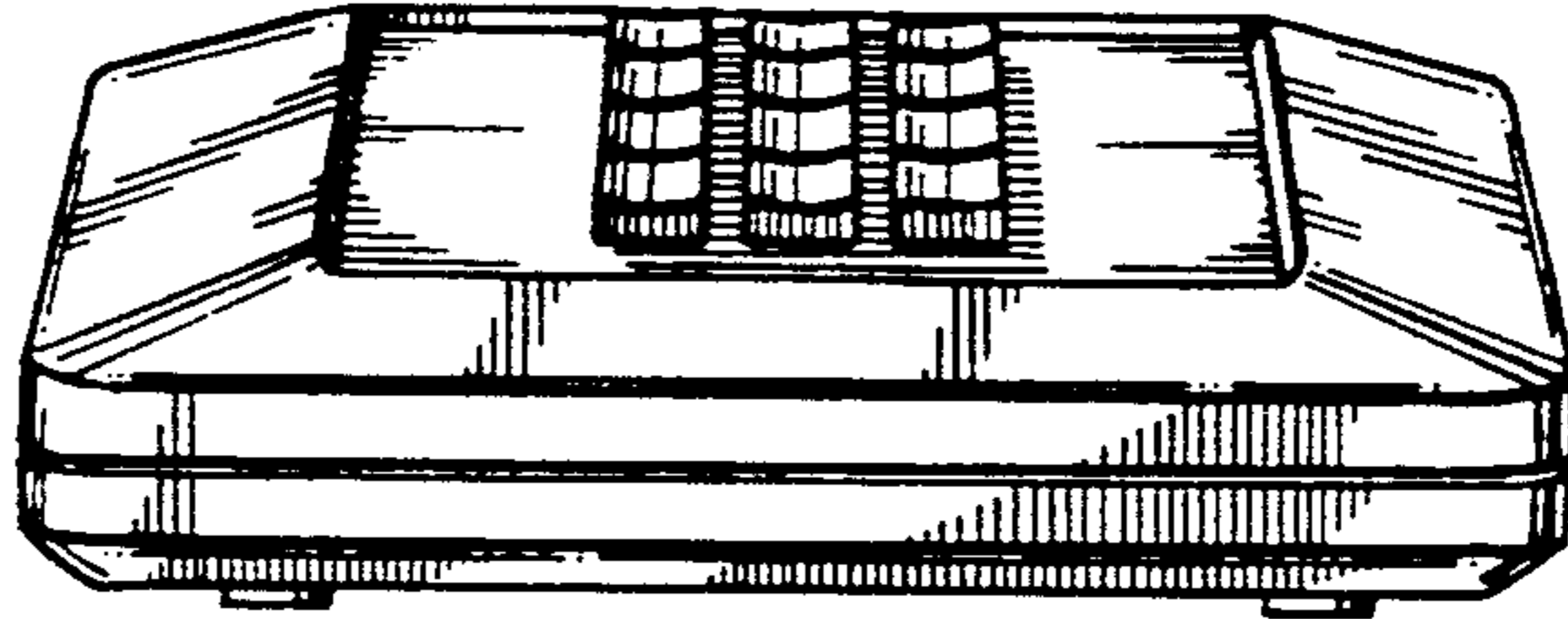


FIG. 6

FIG. 7

