

[54] DIAL TOP HOUSING FOR TELEPHONE HANDSET OR SIMILAR ARTICLE

[75] Inventors: Reena Saluja, Arlington Heights; John C. Laugal, South Barrington, both of Ill.

[73] Assignee: Motorola, Inc., Schaumburg, Ill.

[**] Term: 14 Years

[21] Appl. No.: 694,278

[22] Filed: May 1, 1991

[52] U.S. Cl. D14/138; D14/147; D14/148

[58] Field of Search D14/138, 147, 148; 379/433, 60, 59

D. 295,973	5/1988	Nagele	D14/147
D. 297,009	8/1988	Grambush et al.	D14/64
D. 299,136	12/1988	Taylor	D14/138 X
D. 299,137	12/1988	Soren et al.	D14/138 X
D. 302,015	7/1989	Taylor	D14/248 X
D. 306,293	2/1990	Nagele et al.	D14/148
D. 315,559	3/1991	Taylor et al.	D14/138
D. 315,907	4/1991	Wong et al.	D14/138 X
D. 316,859	5/1991	Wong et al.	D14/148 X
D. 319,438	8/1991	Luckley	D14/148 X

Primary Examiner—Horace B. Fay, Jr.
Attorney, Agent, or Firm—Kenneth W. Bolvin

[57] CLAIM

The ornamental design for a dial top housing for telephone handset or similar article, as shown and described.

DESCRIPTION

FIG. 1 is a front, top, and left side perspective view showing our new design for a dial toy housing for telephone handset or similar article in full lines, with the broken line matter being for illustrative purposes only and forming no part of the claimed design.

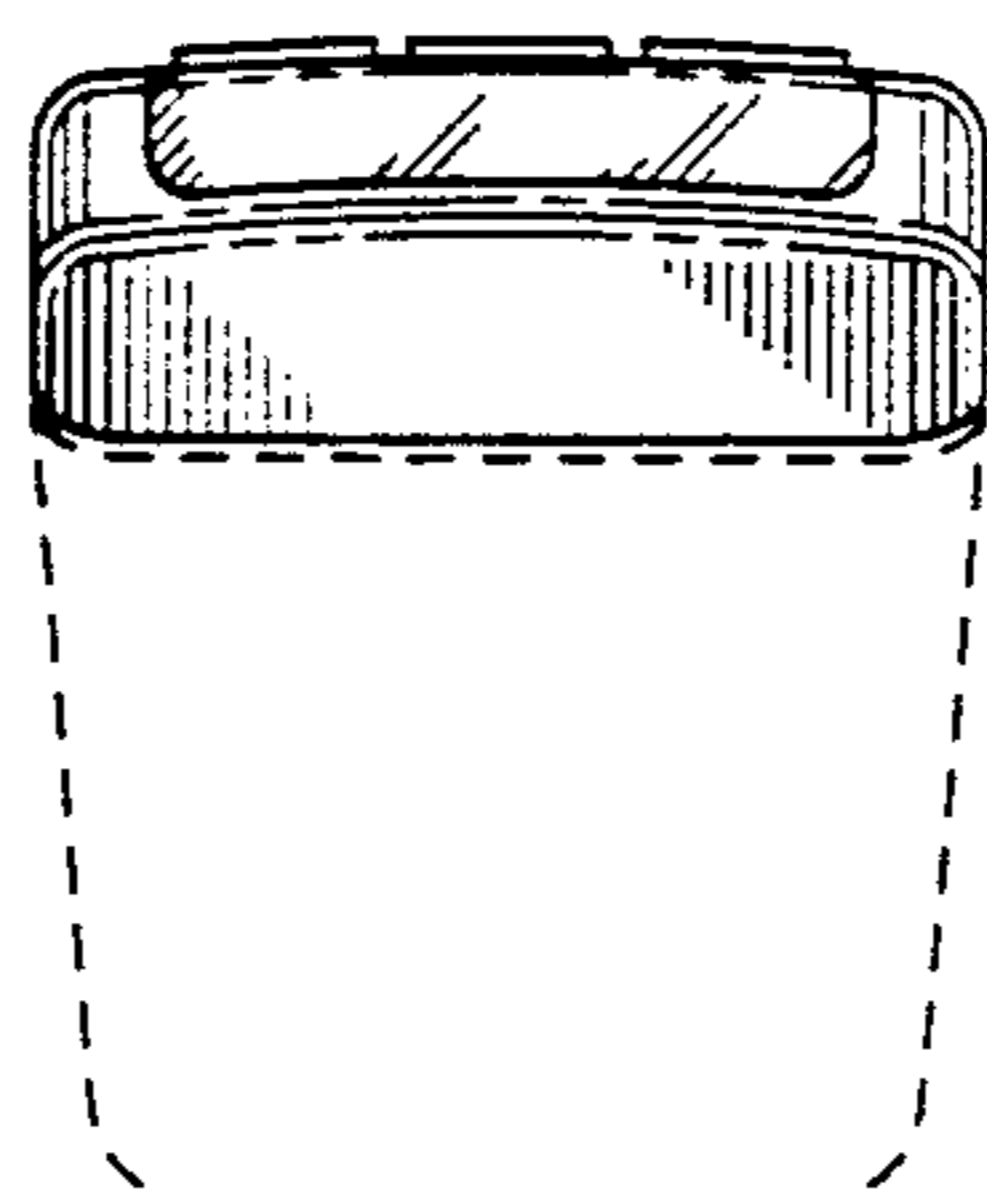
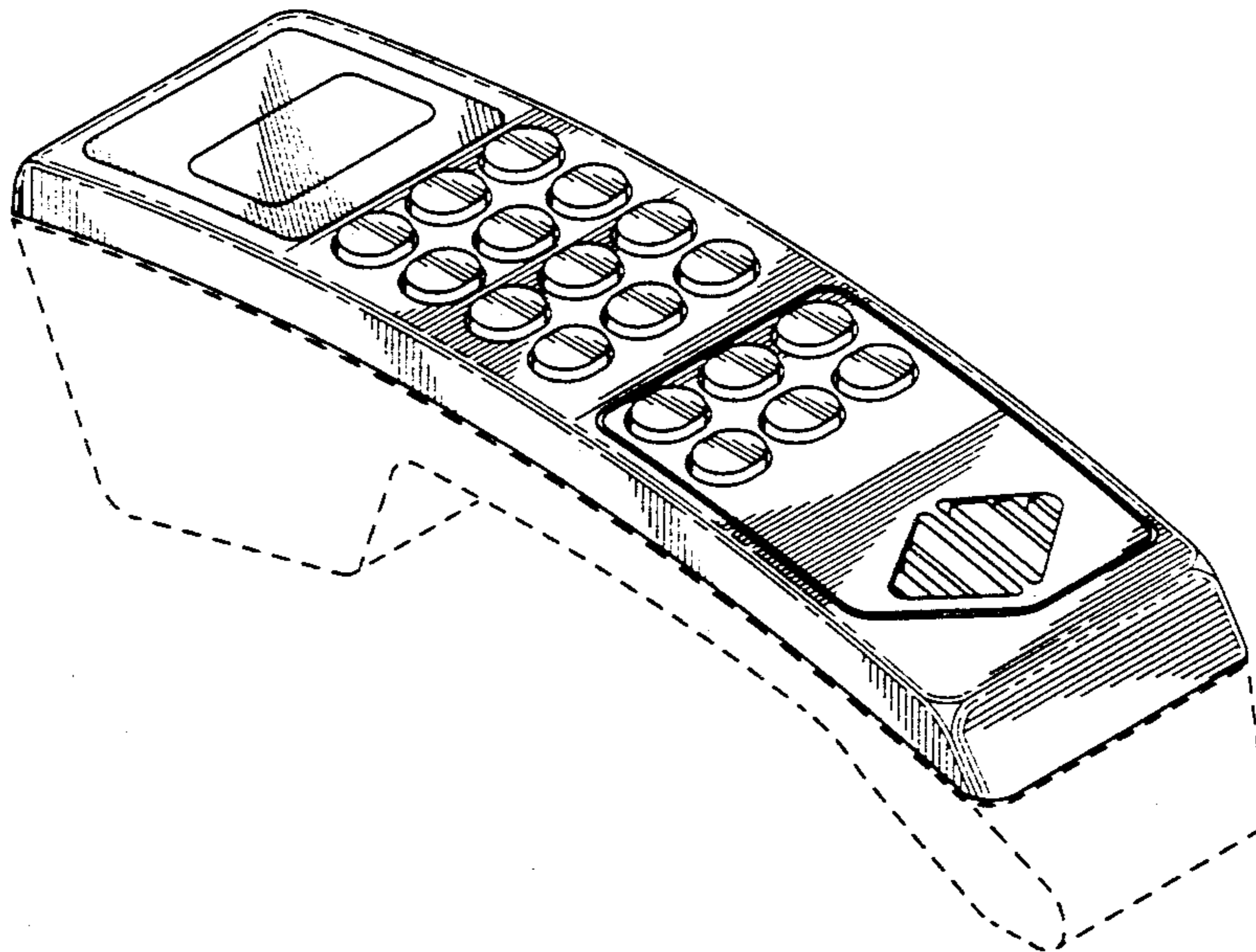
FIG. 2 is a right elevational view thereof, in full lines, with the broken line matter being for illustrative purposes only and forming no part of the claimed design.

FIG. 3 is a rear elevational view thereof, in full lines, with the broken line matter being for illustrative purposes only and forming no part of the claimed design.

[56] References Cited

U.S. PATENT DOCUMENTS

D. 271,491	11/1983	Taylor	D14/138
D. 284,471	7/1986	Felix et al.	D14/63
D. 286,778	11/1986	Beaumont	D14/64
D. 288,442	2/1987	Brown	D14/63
D. 289,283	4/1987	Kajita	D14/53
D. 291,199	8/1987	Watanabe	D14/64
D. 292,285	10/1987	Kanob	D14/64
D. 292,513	10/1987	Gilberton	D14/53
D. 292,578	11/1987	Taylor	D14/62
D. 292,920	11/1987	Taylor	D14/62



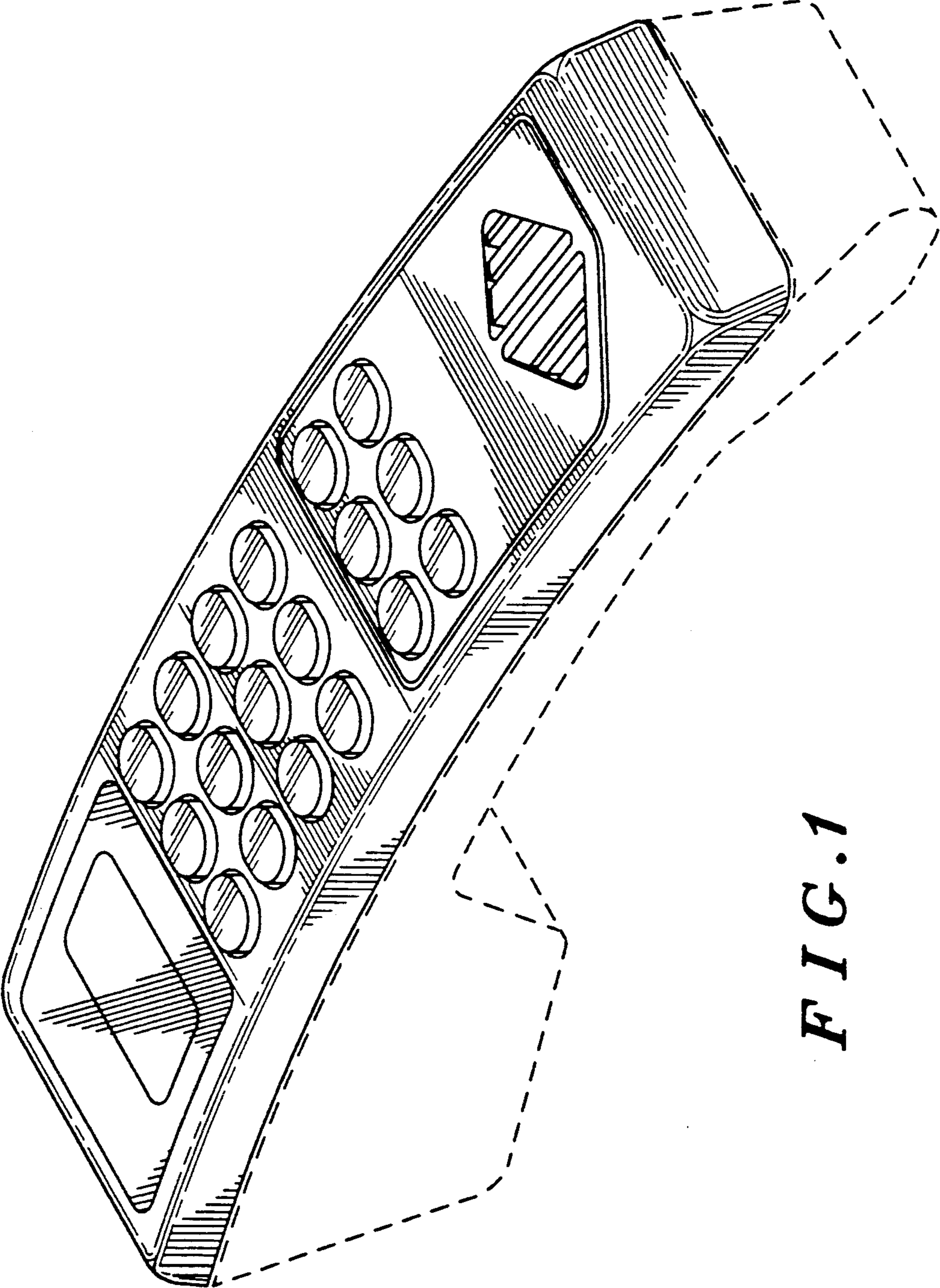


FIG. 1

FIG. 2

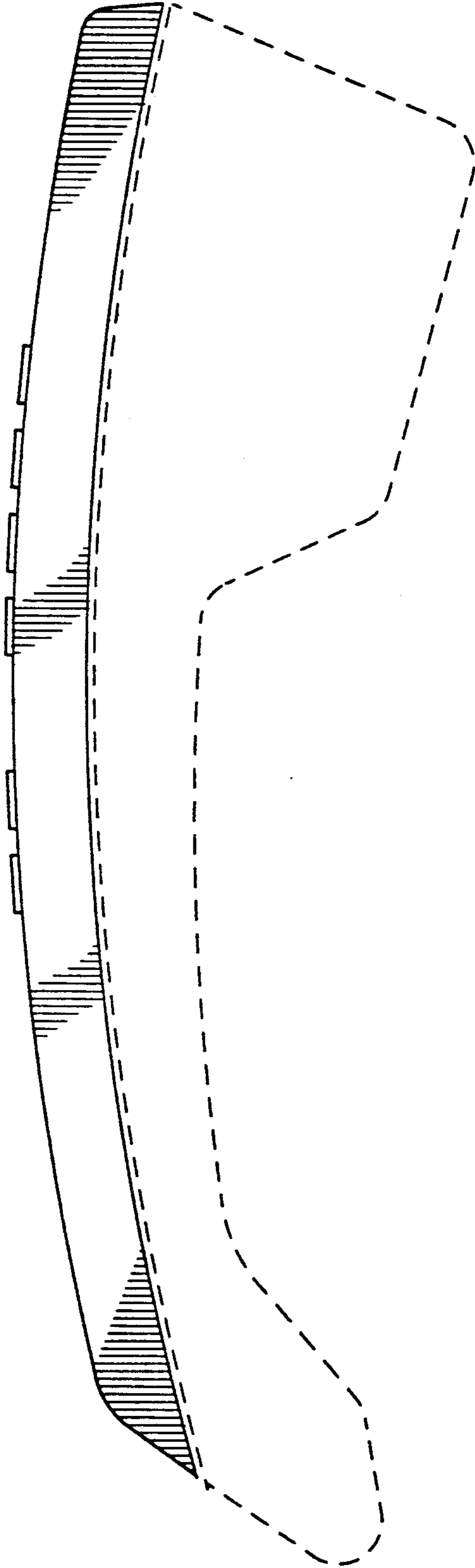
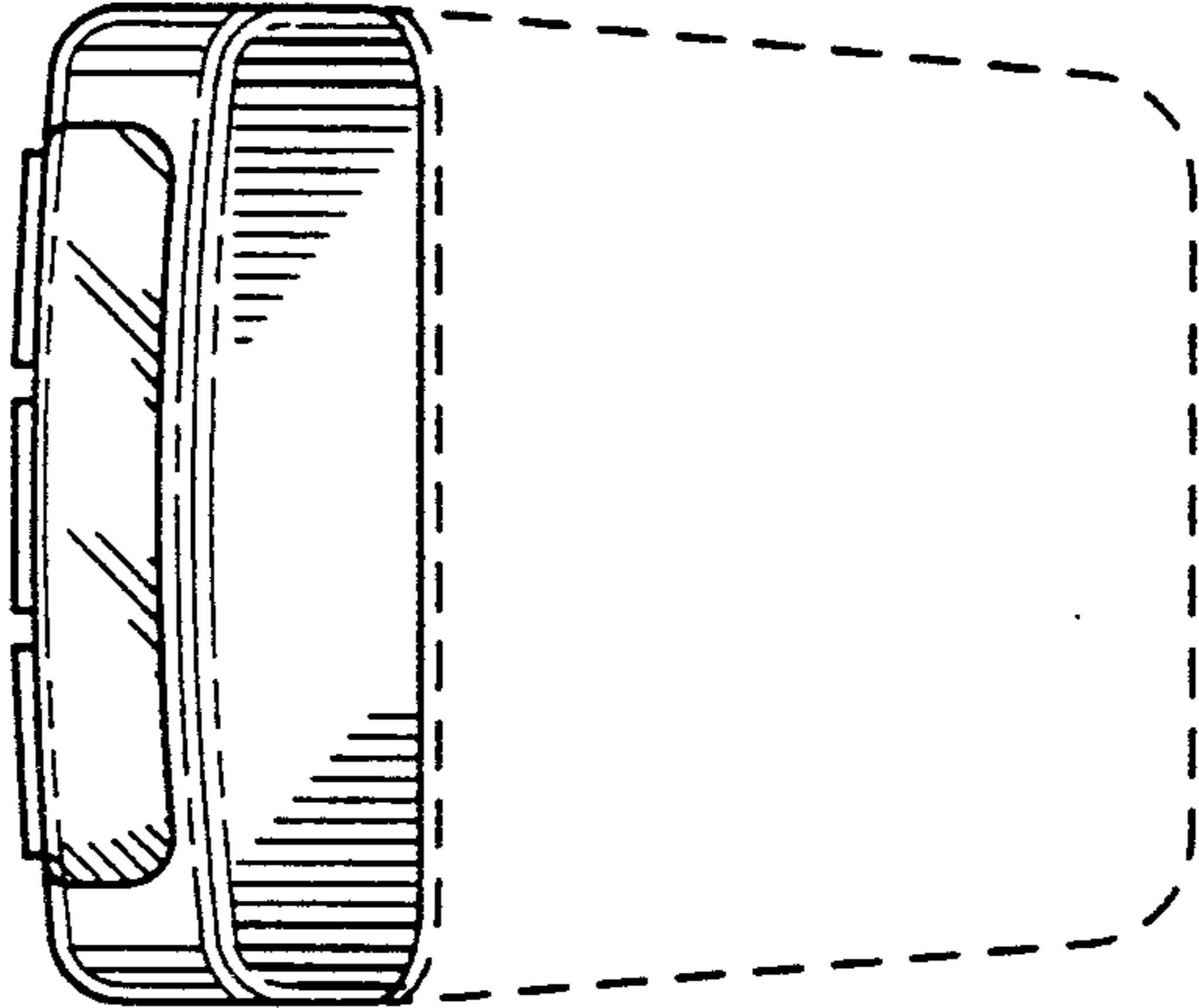


FIG. 3



**UNITED STATES PATENT AND TRADEMARK OFFICE
CERTIFICATE OF CORRECTION**

PATENT NO. : Des. 322,783

DATED : December 31, 1991

INVENTOR(S) : Reena Saluja and John C. Laugal

It is certified that error appears in the above-identified patent and that said Letters Patent is hereby corrected as shown below:

In the Description, line 2 of FIG. 1, please delete the word "toy" and replace with --top--.

**Signed and Sealed this
Twenty-second Day of June, 1993**

Attest:



MICHAEL K. KIRK

Attesting Officer

Acting Commissioner of Patents and Trademarks