

United States Patent [19]

Yoshida

[11] Patent Number: **Des. 322,781**

[45] Date of Patent: **** Dec. 31, 1991**

[54] **FACSIMILE**

[75] Inventor: **Kenzo Yoshida, Osaka, Japan**

[73] Assignee: **Sharp Corporation, Osaka, Japan**

[**] Term: **14 Years**

[21] Appl. No.: **544,855**

[22] Filed: **Jun. 27, 1990**

[30] **Foreign Application Priority Data**

Dec. 28, 1989 [JP] Japan 1-48247

[52] U.S. Cl. **D14/118**

[58] Field of Search D14/107, 109, 118, 124,
D14/217, 299; D18/36-37; 358/400-401

[56] **References Cited**

U.S. PATENT DOCUMENTS

D. 304,187 10/1989 Komatsu D14/118

D. 314,957 2/1991 Tsukada D14/118

D. 315,341 3/1991 Komatsu D14/118

D. 315,555 3/1991 Komatsu D14/118

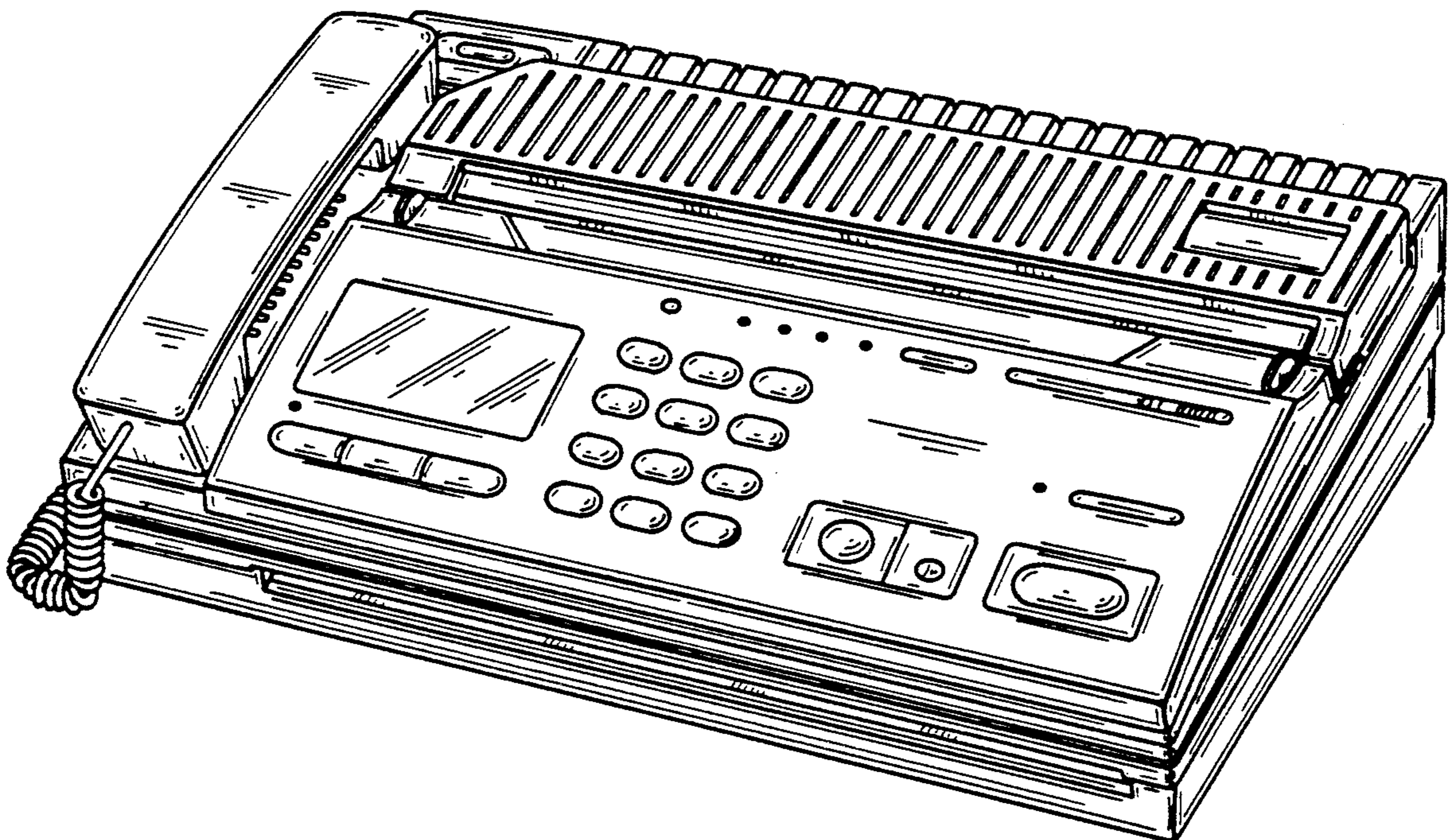
Primary Examiner—Theodore M. Shooman
Attorney, Agent, or Firm—Flehr, Hohbach, Test,
Albritton & Herbert

[57] **CLAIM**

The ornamental design for a facsimile, as shown and described.

DESCRIPTION

FIG. 1 is a top, front and right side perspective view of a facsimile showing my new design;
FIG. 2 is a top plan view thereof;
FIG. 3 is a bottom plan view thereof;
FIG. 4 is a front elevational view thereof;
FIG. 5 is a rear elevational view thereof;
FIG. 6 is a right side elevational view thereof; and
FIG. 7 is a left side elevational view thereof.



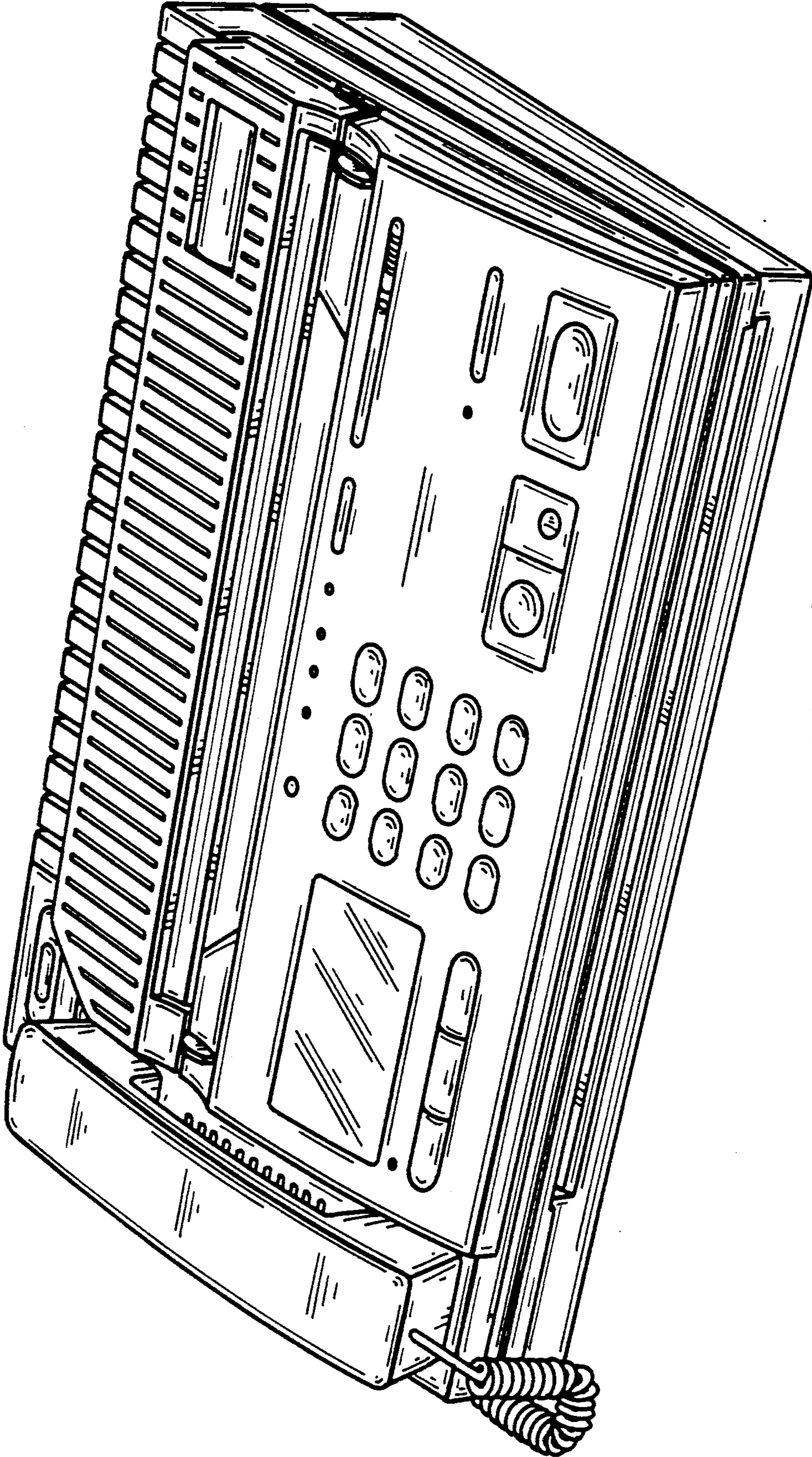
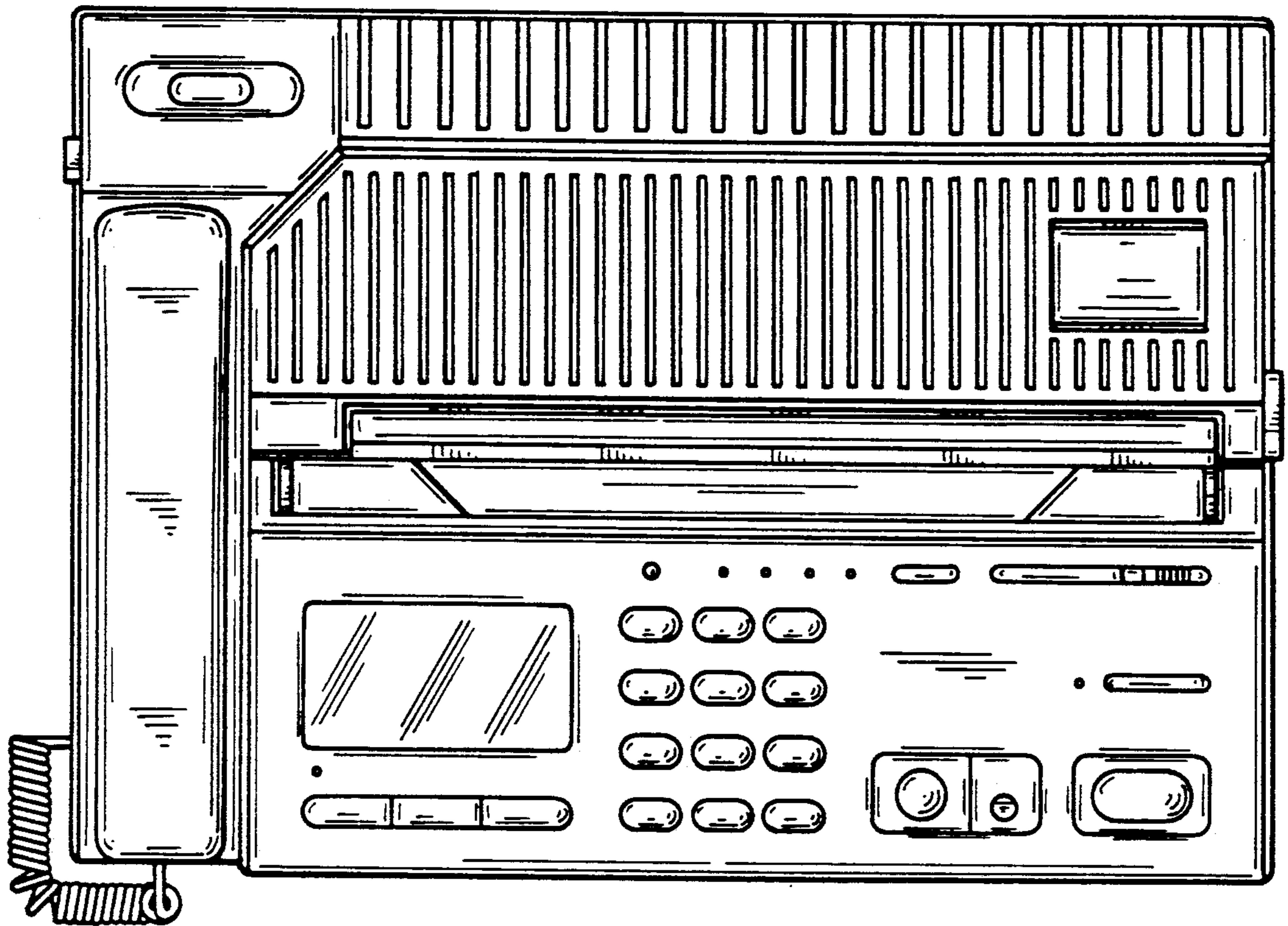
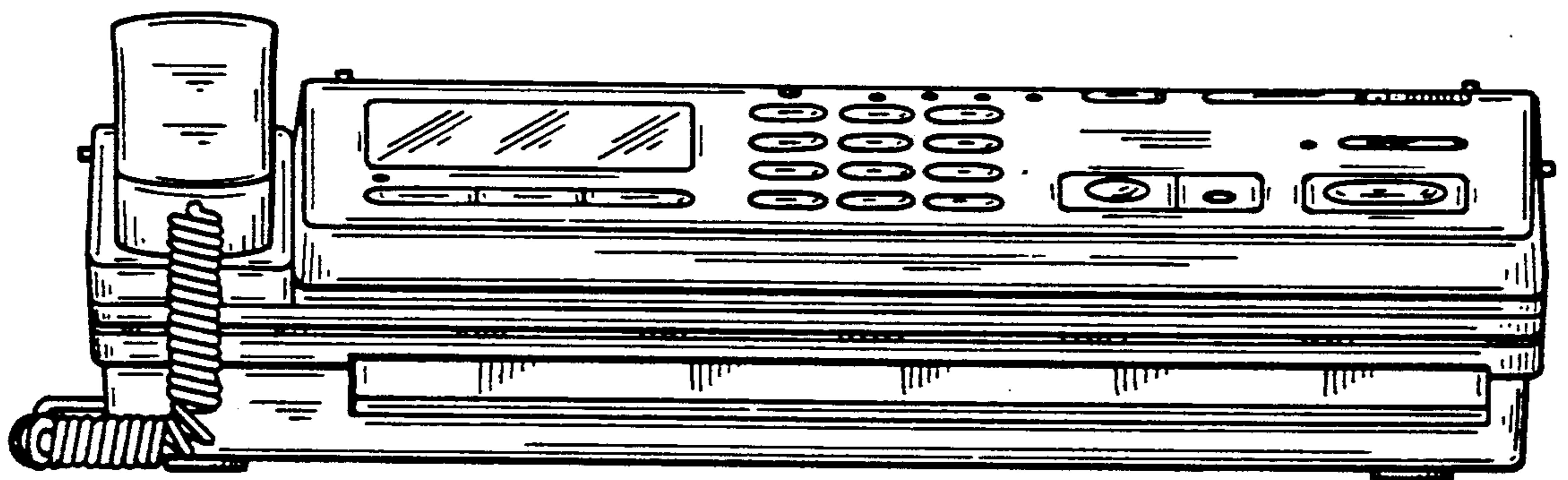


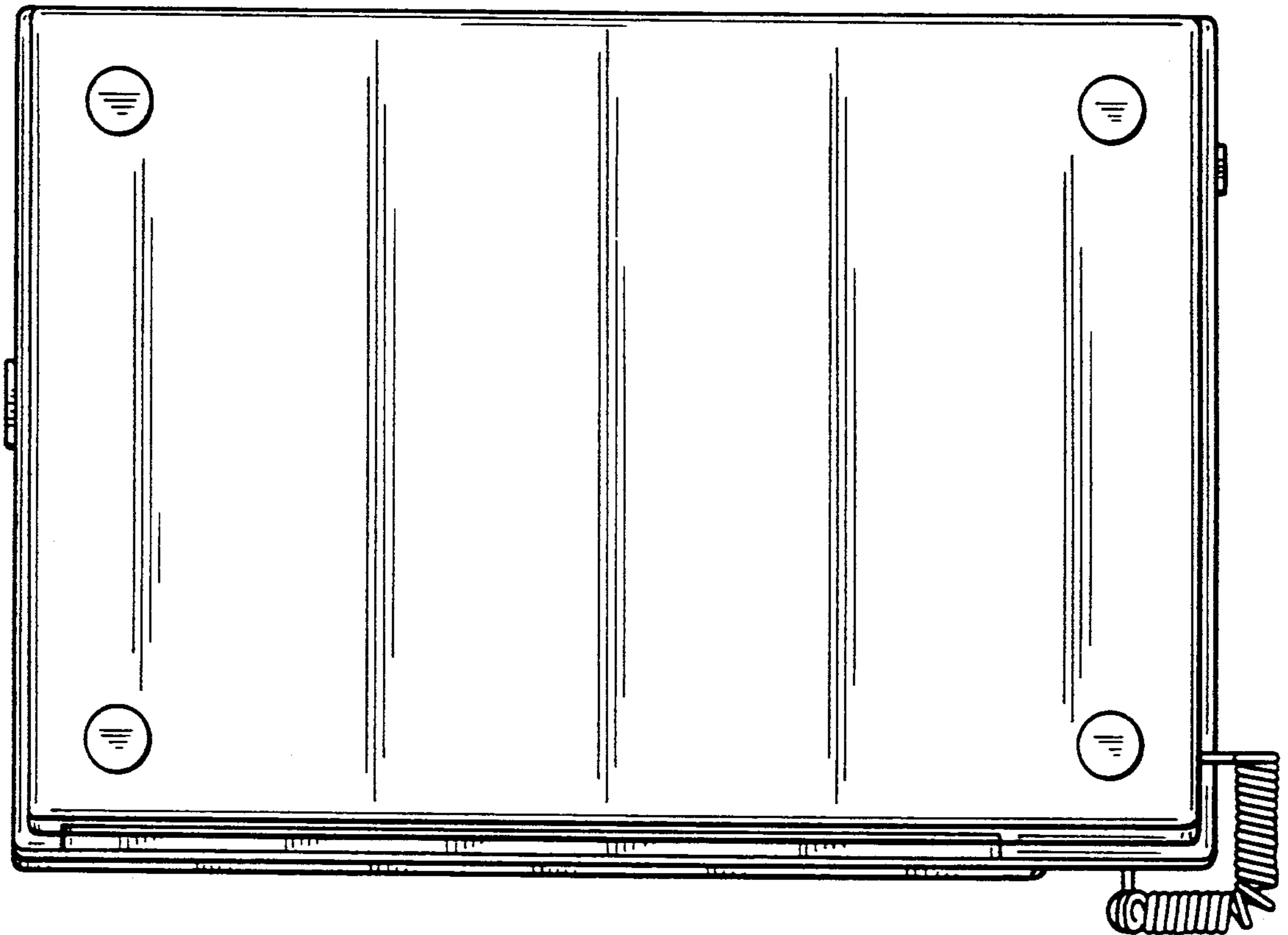
FIG. 1



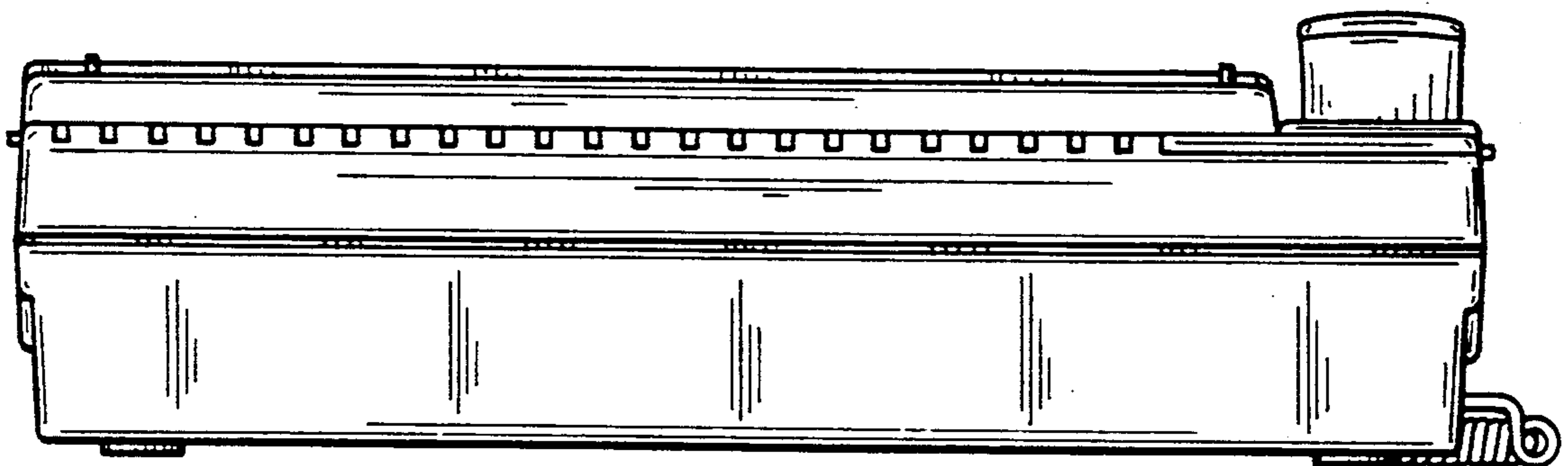
FIG_2



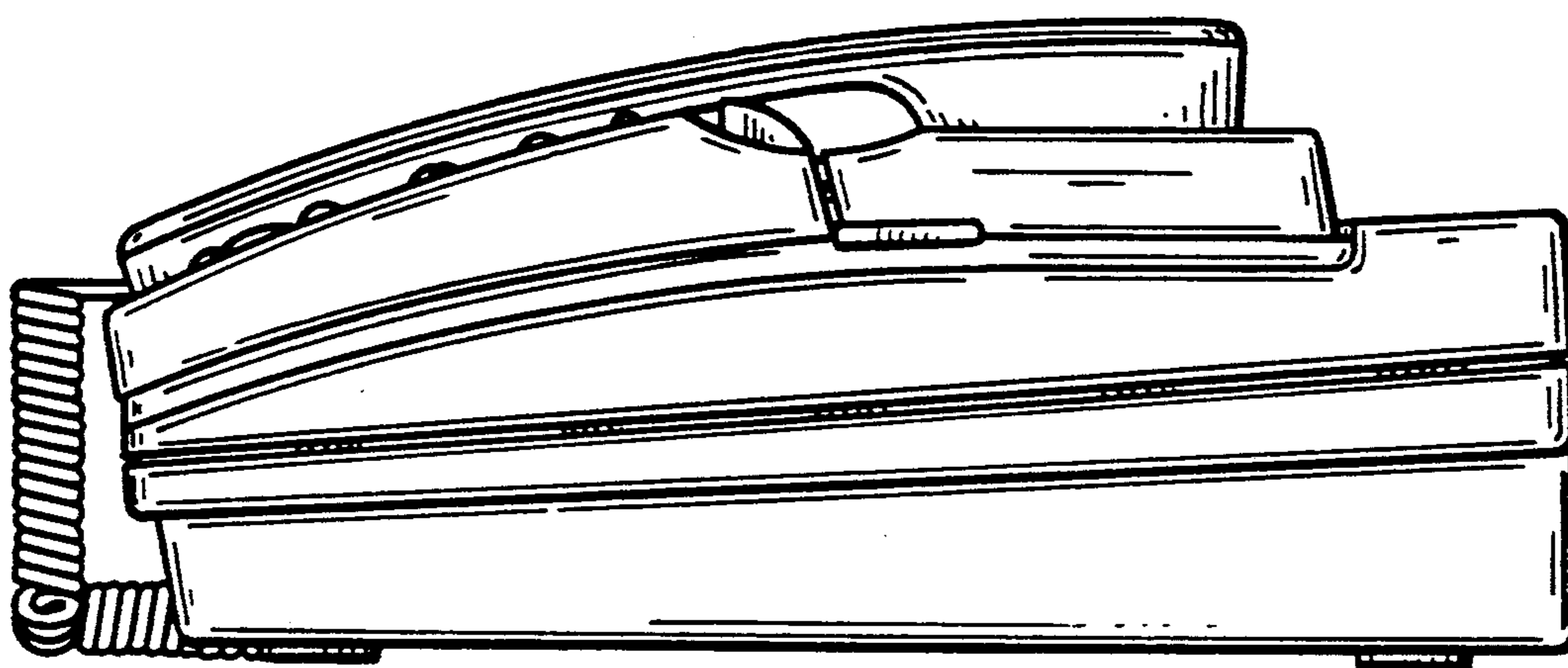
FIG_4



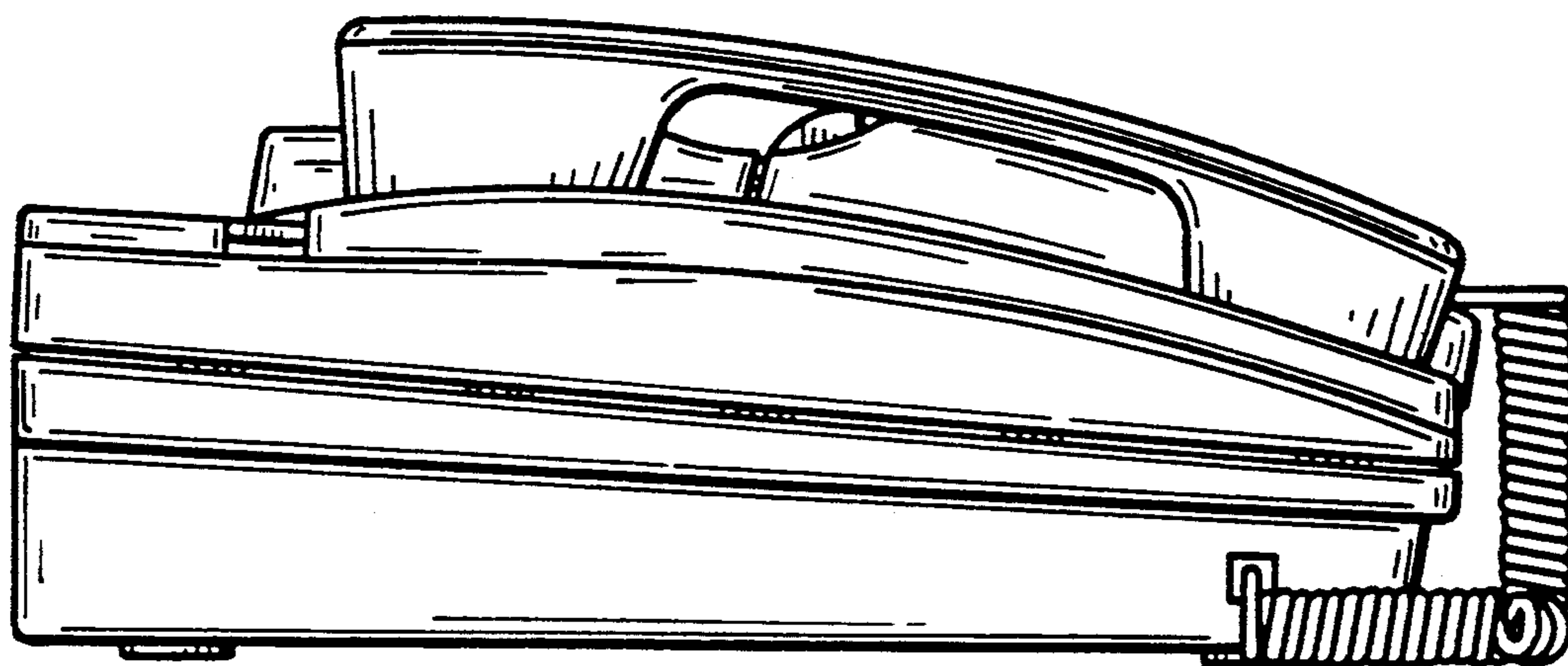
FIG_3



FIG_5



FIG_6



FIG_7