

[54] PHOTO CONTROL WITH INTERIOR PLUG-TYPE TERMINALS

[75] Inventor: Daniel M. DiCarlo, Jr., Hackettstown, N.J.

[73] Assignee: Area Lighting Research, Inc., Hackettstown, N.J.

[**] Term: 14 Years

[21] Appl. No.: 315,706

[22] Filed: Feb. 27, 1989

[52] U.S. Cl. D13/165

[58] Field of Search D13/158, 165; D10/106; 361/173; 200/51 R, 61.02, DIG. 36

[56] References Cited

U.S. PATENT DOCUMENTS

2,975,335	3/1961	Harris	361/173	X
3,128,413	4/1964	Person	361/173	X
3,496,422	2/1970	Horowitz	361/173	X

OTHER PUBLICATIONS

Gas Sensor on p. 101 of *New Equipment Digest* 12-86. Photo Cells on p. 19 of *Allied Electronics Catalog* 1986. Honeywell Nightlight on p. 107 of *Hardware Age* 7-88.

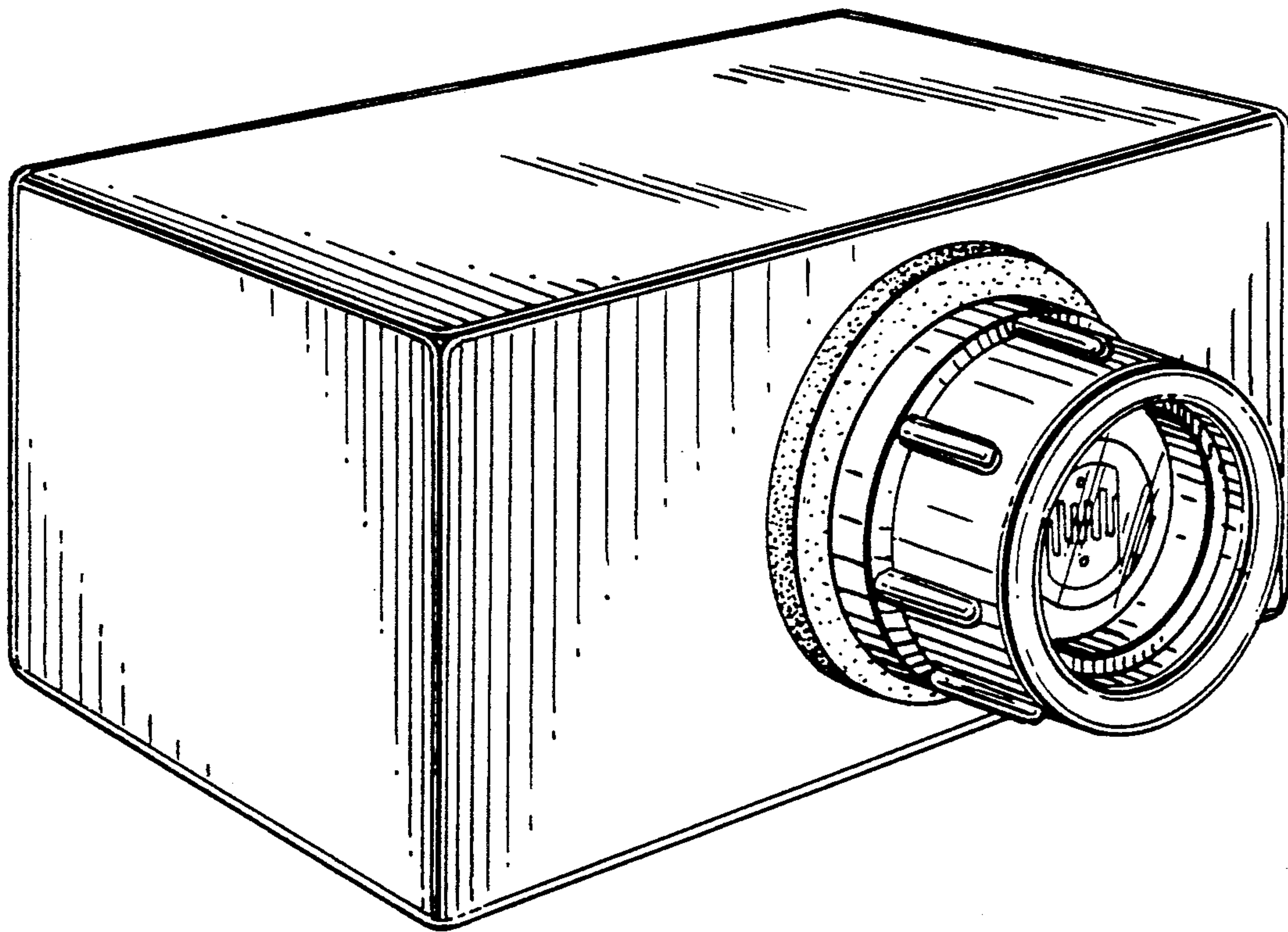
Primary Examiner—Susan J. Lucas
Assistant Examiner—J. Sincavage
Attorney, Agent, or Firm—Kirschstein, Ottinger, Israel & Schiffmiller

[57] CLAIM

The ornamental design for a photo control with interior plug-type terminals, as shown.

DESCRIPTION

FIG. 1 is a front elevational view of a photo control with interior plug-type terminals showing my new design; FIG. 2 is a right side elevational view thereof, the left side elevational view being a mirror image; FIG. 3 is a top plan view thereof, the bottom plan view being a mirror image; FIG. 4 is a rear elevational view thereof; and FIG. 5 is a perspective view thereof on an enlarged scale.



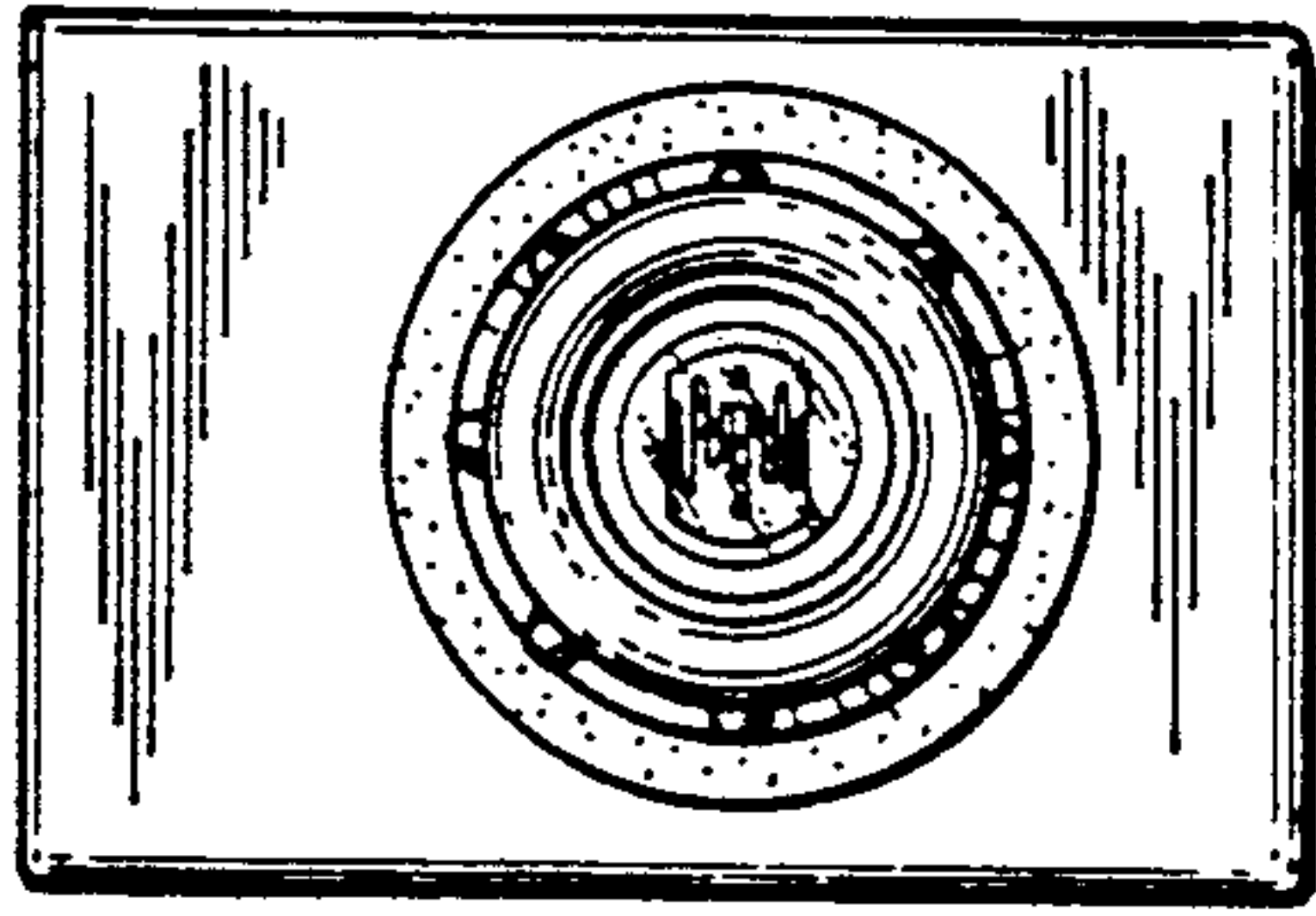


FIG. 1

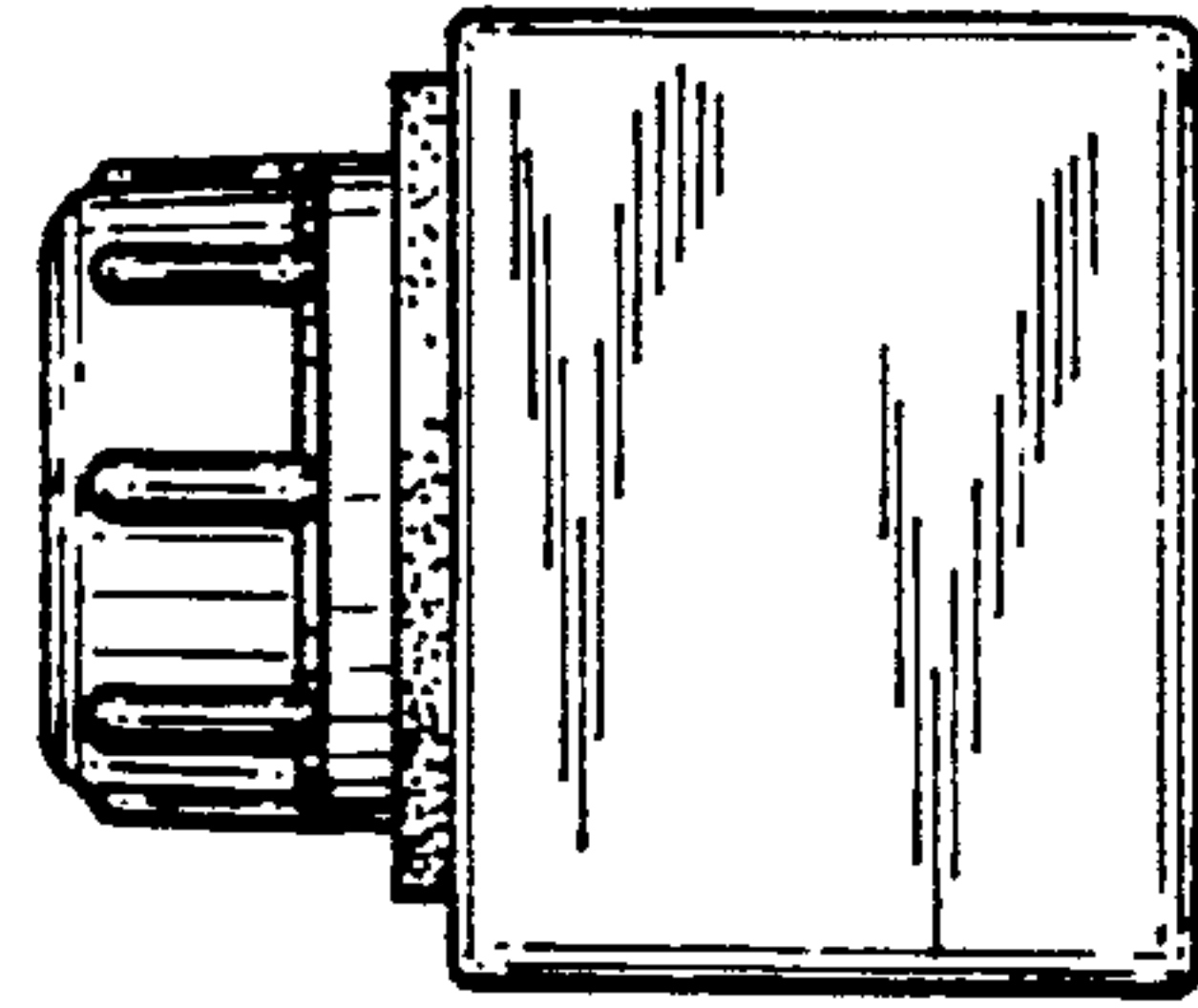


FIG. 2

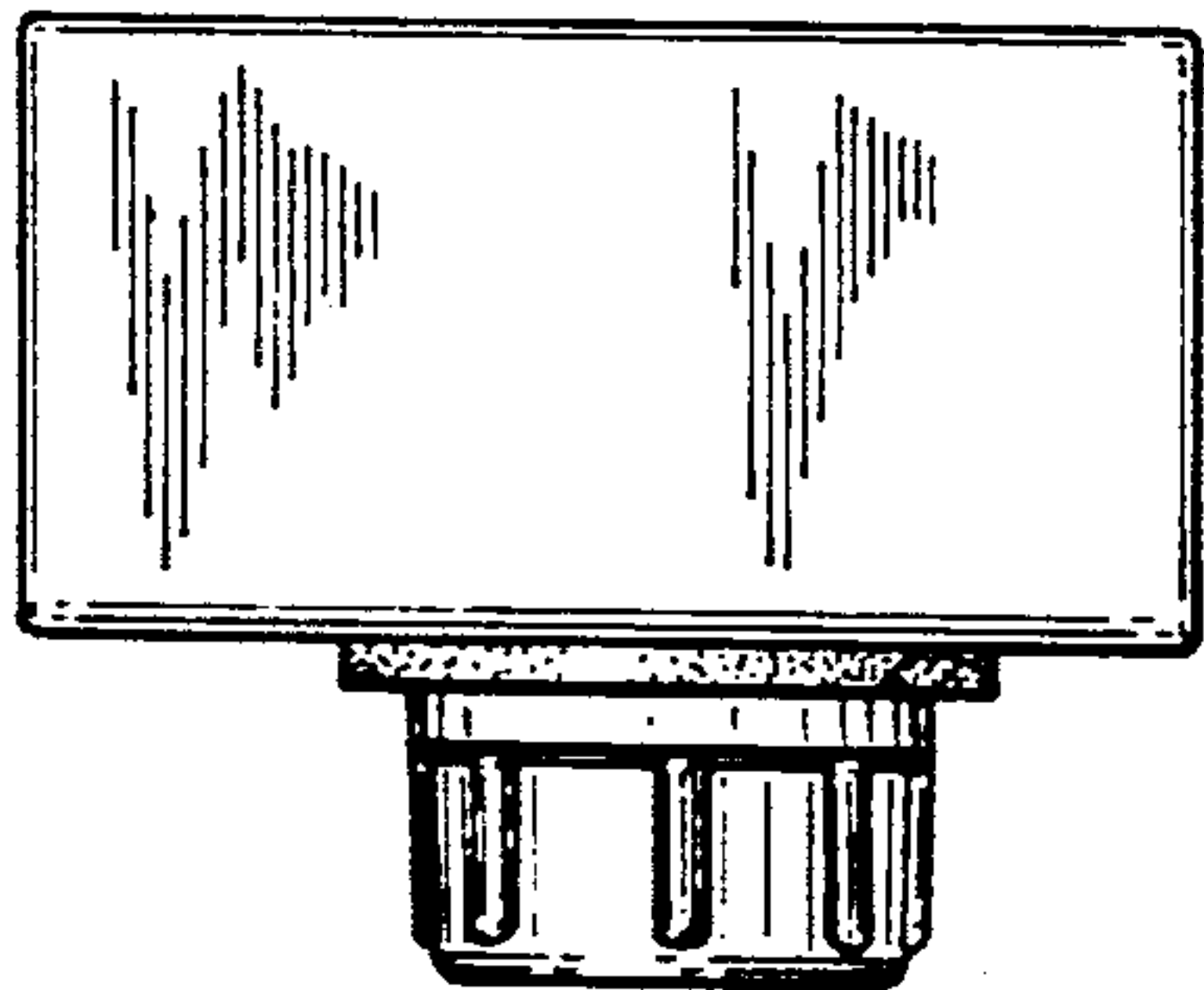


FIG. 3

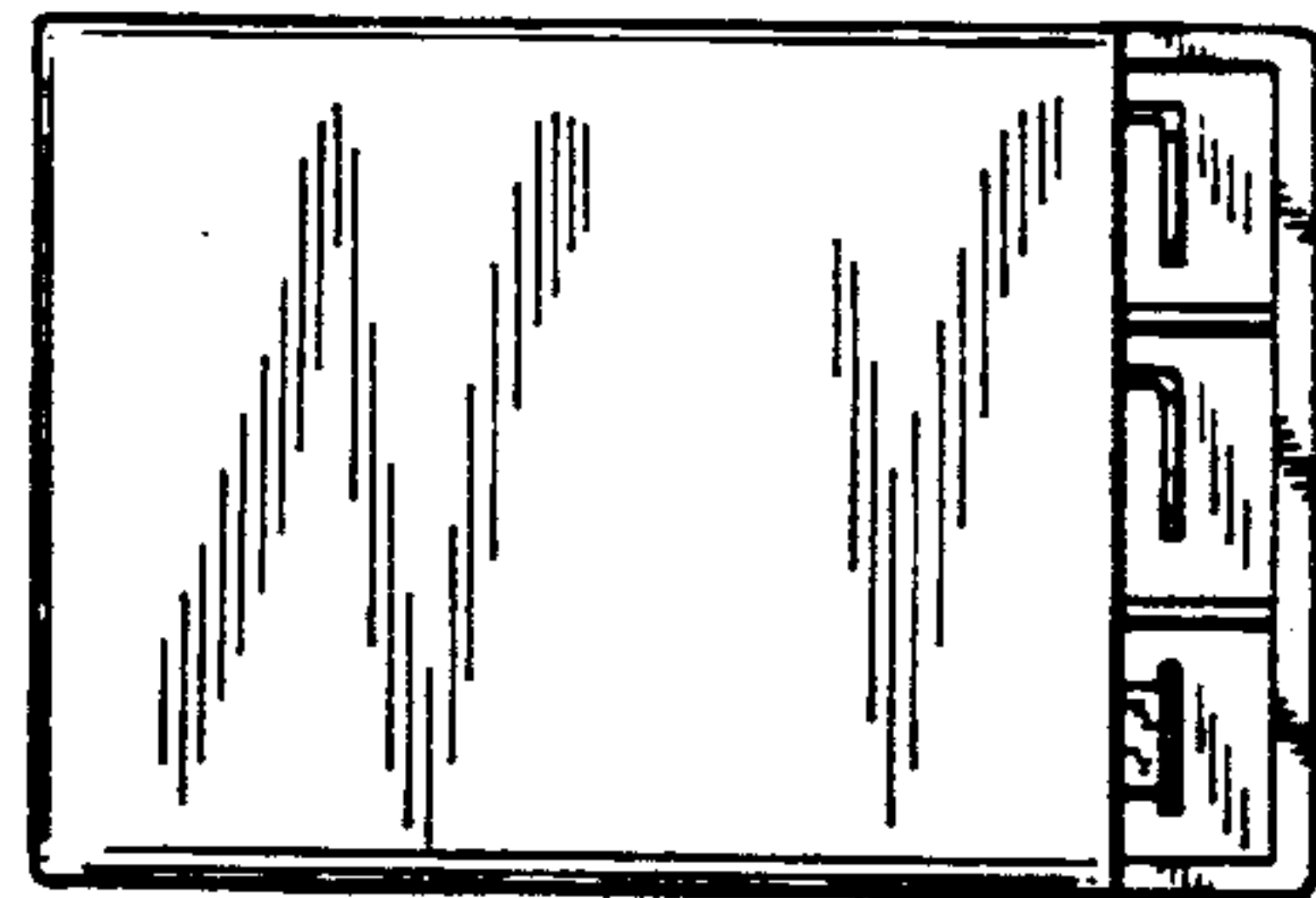


FIG. 4

FIG. 5

