

[54] **TRUCK WITH A BUILT IN OVEN**

[76] **Inventor: Gary Roccaro, 131 Malone Ave., Staten Island, N.Y. 10312**

[**] **Term: 14 Years**

[21] **Appl. No.: 266,997**

[22] **Filed: Nov. 4, 1988**

[52] **U.S. Cl. D12/98; D12/83**

[58] **Field of Search D12/98, 93, 83; D7/334; 296/22, 21, 183**

[56] **References Cited**

U.S. PATENT DOCUMENTS

D. 226,080	1/1973	Lee	D12/98
D. 242,440	11/1976	Goldberger	D12/98
D. 273,373	4/1984	Levine et al.	D12/83
D. 284,645	7/1986	Hackett et al.	D12/98
618,634	1/1899	Young et al.	296/21
1,561,328	11/1925	Hendler	296/21

FOREIGN PATENT DOCUMENTS

0871800	5/1942	France	296/22
---------	--------	--------	-------	--------

Primary Examiner—James M. Gandy
Assistant Examiner—Melody Brown
Attorney, Agent, or Firm—Lerner, David, Littenberg, Krumholz & Mentlik

[57] **CLAIM**

The ornamental design for a truck with a built in oven, as shown and described.

DESCRIPTION

FIG. 1 is a perspective view of a truck with a built-in oven showing my new design;

FIG. 2 is a front elevational view thereof;

FIG. 3 is a rear elevational view thereof;

FIG. 4 is a right side elevational view thereof;

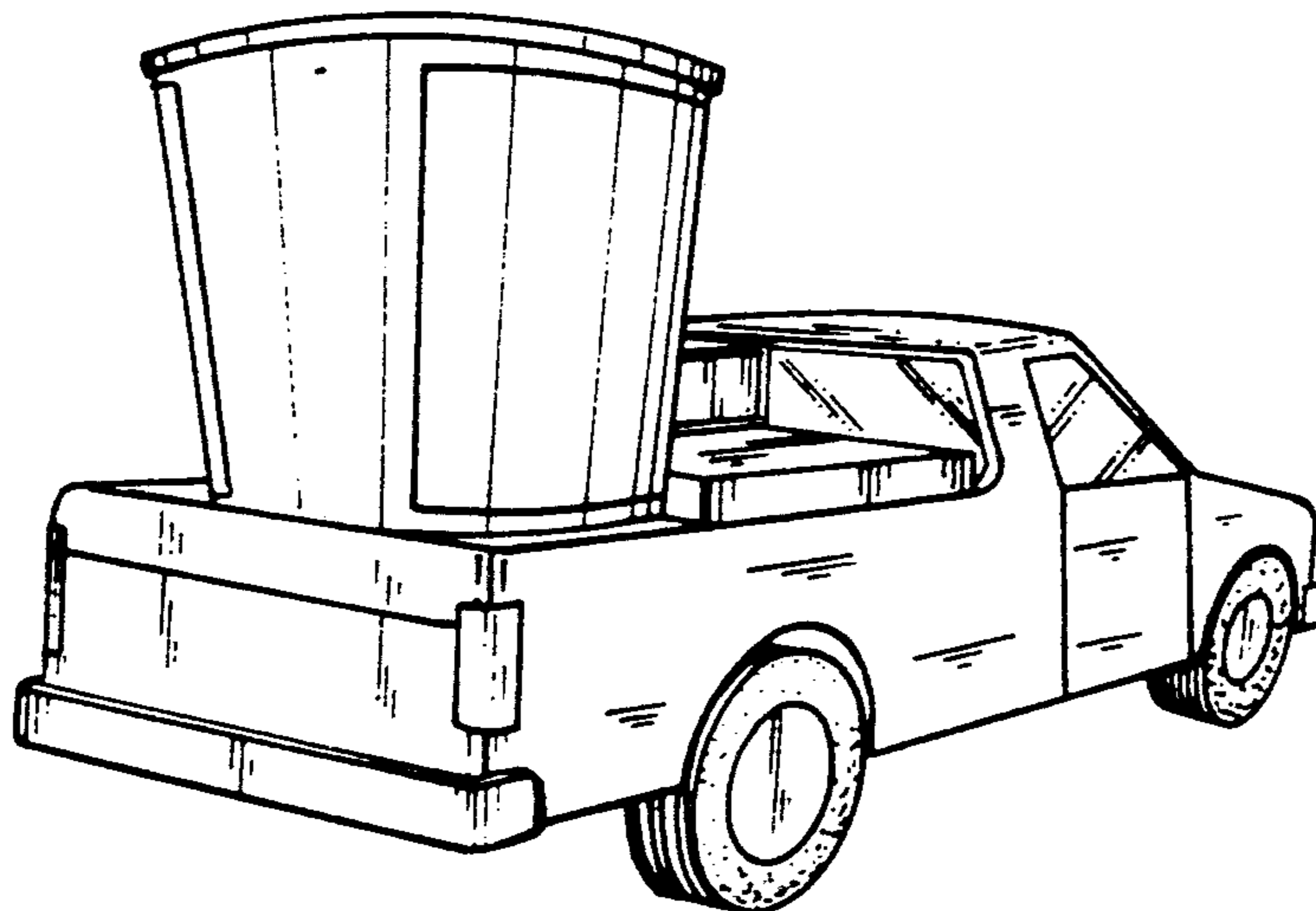
FIG. 5 is a left side elevational view thereof;

FIG. 6 is a top plan view thereof;

FIG. 7 is a bottom plan view thereof.

The characteristic feature of my new design resides in the oven shaped like a chicken bucket mounted on the rear bed of the pick-up truck.

The dominant feature of the subject design is in the use of an oven shaped like a chicken bucket mounted on the rear bed of the flat bed truck.



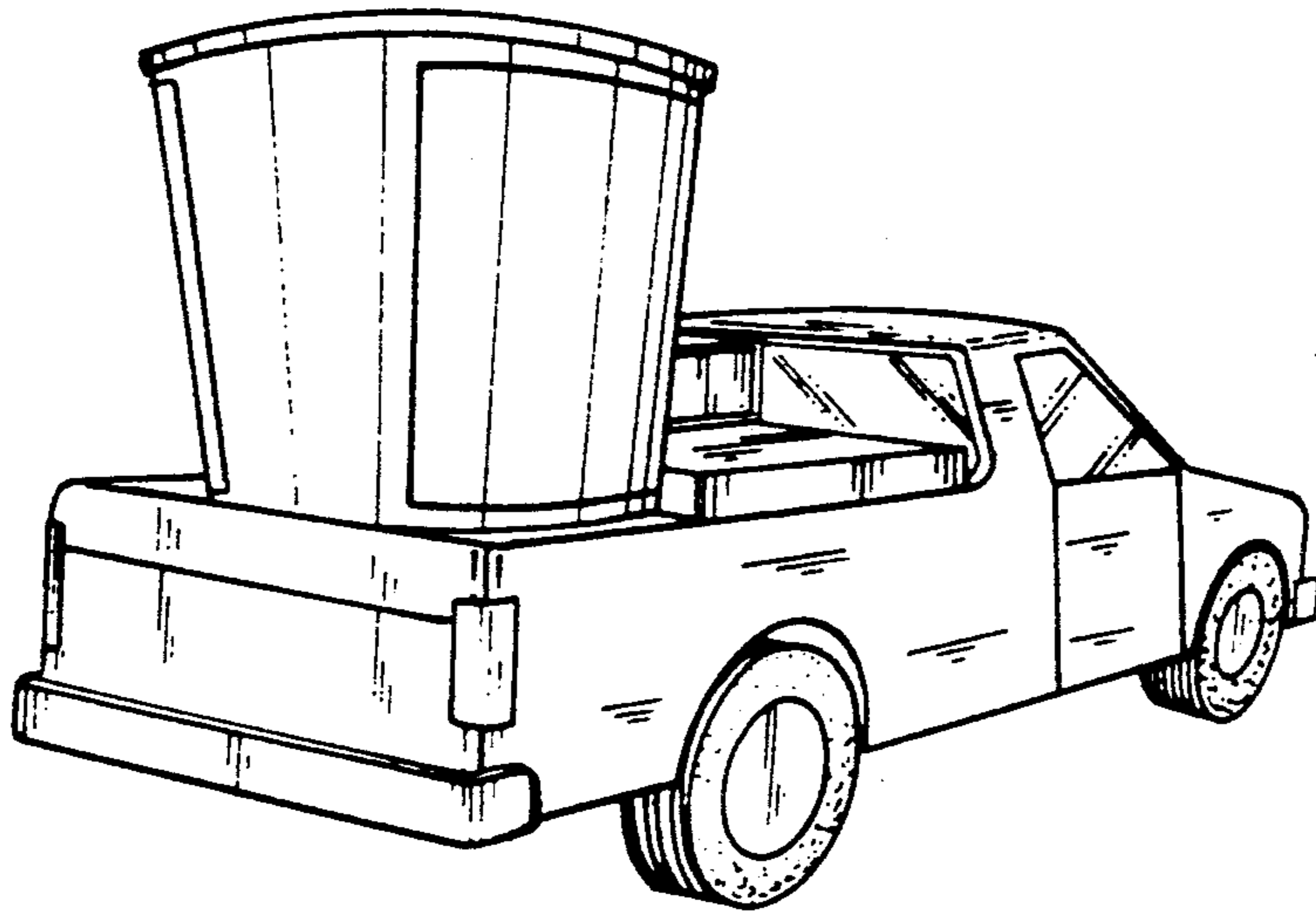


FIG. 1

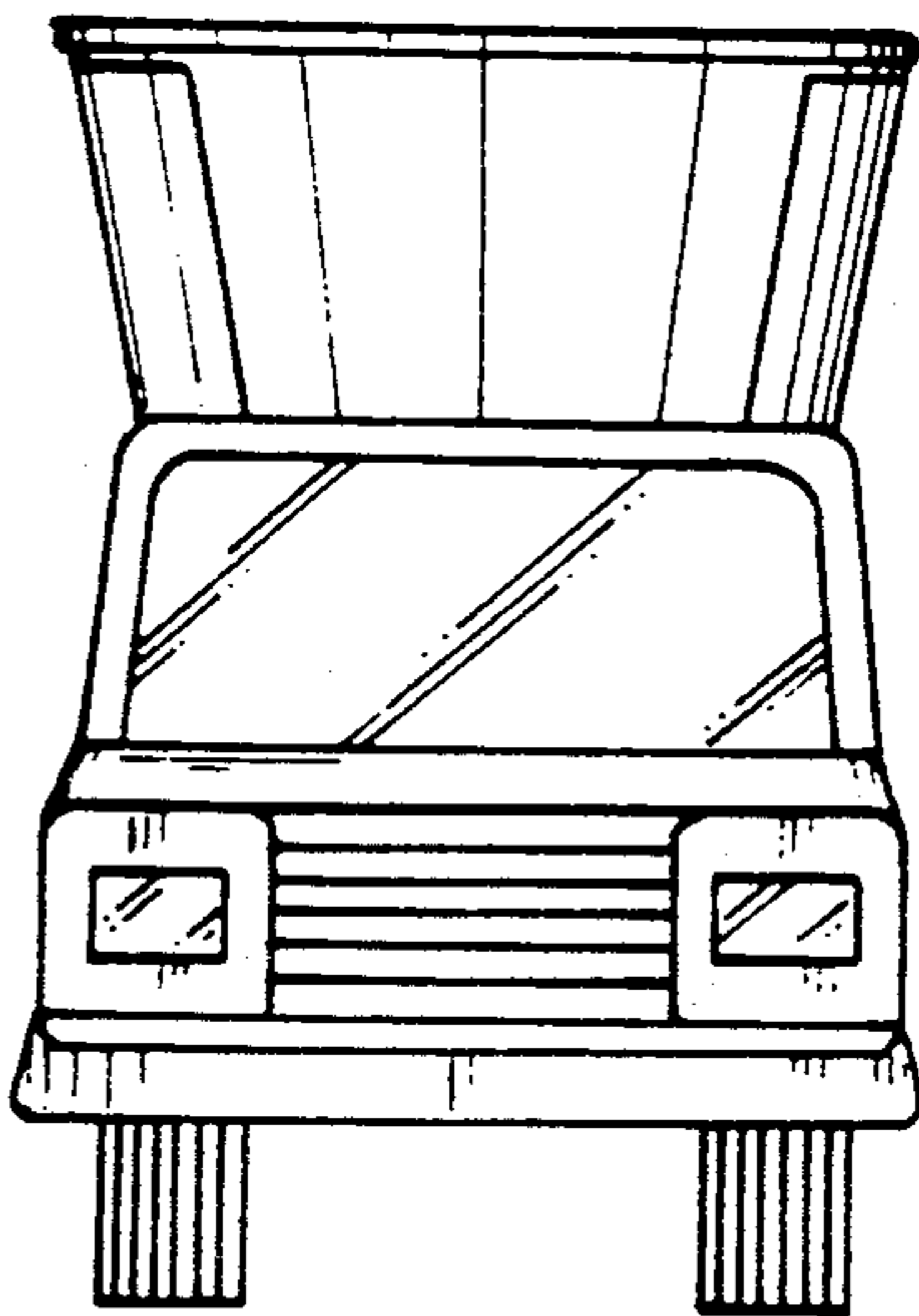


FIG. 2

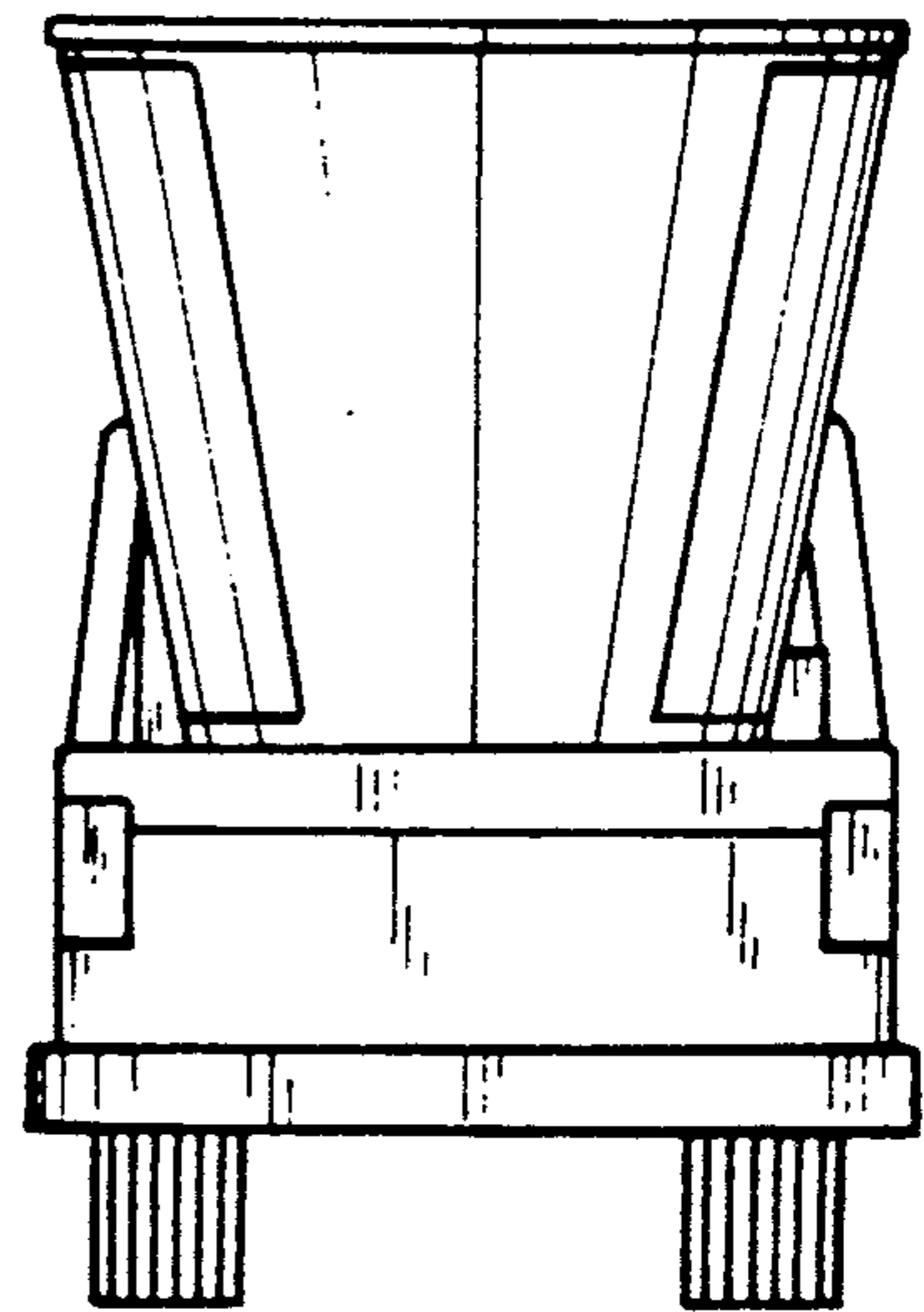


FIG. 3

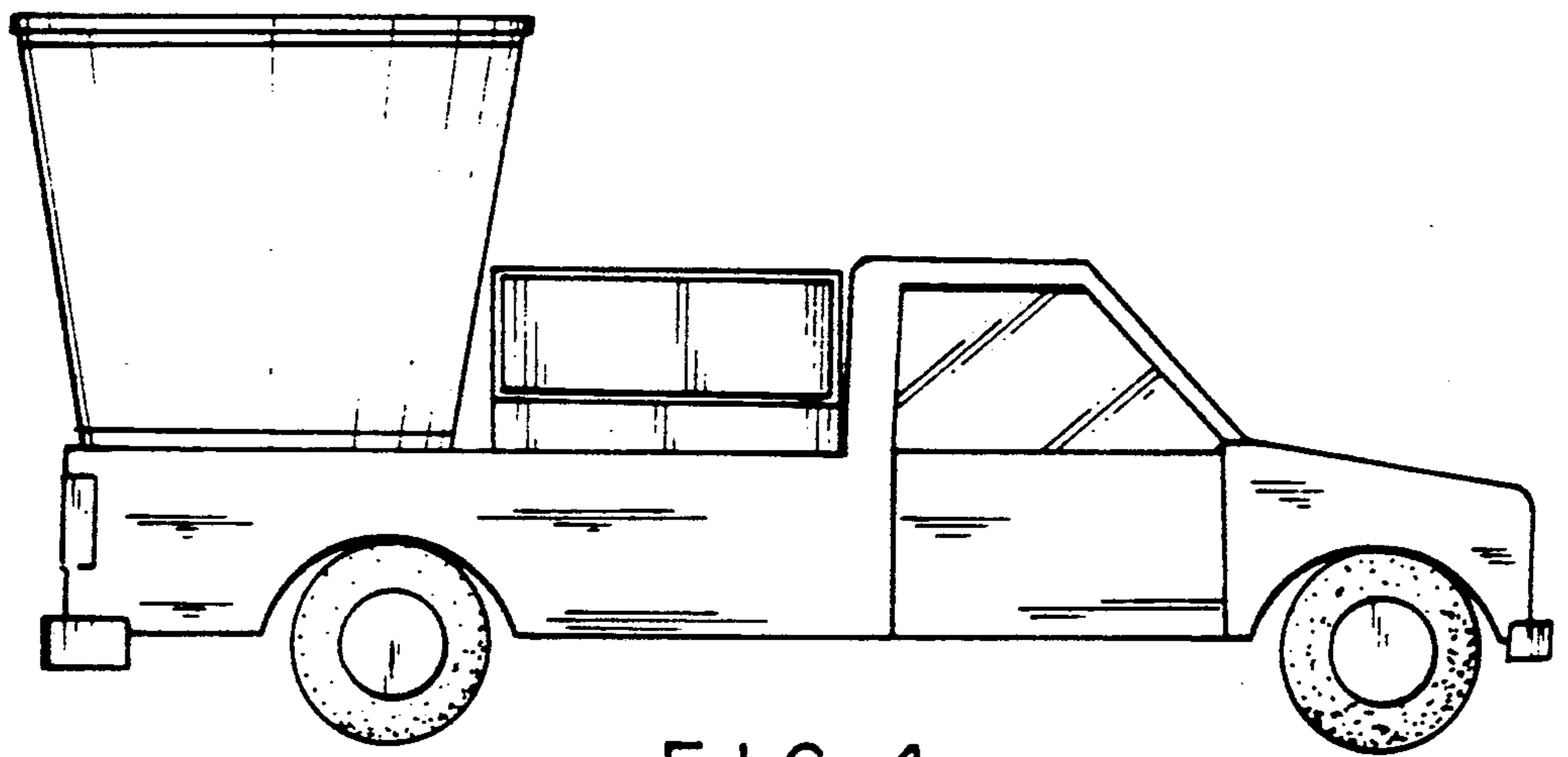


FIG. 4

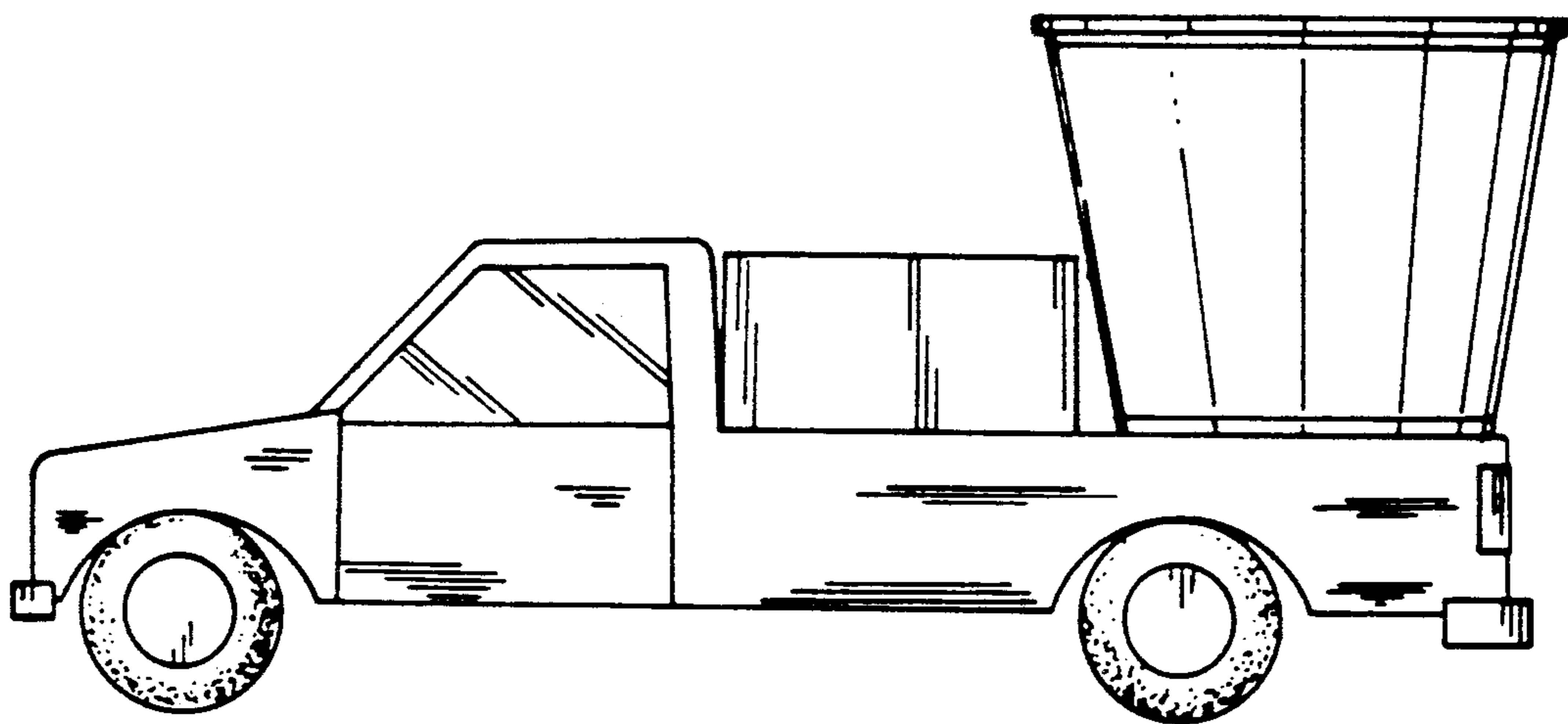


FIG. 5

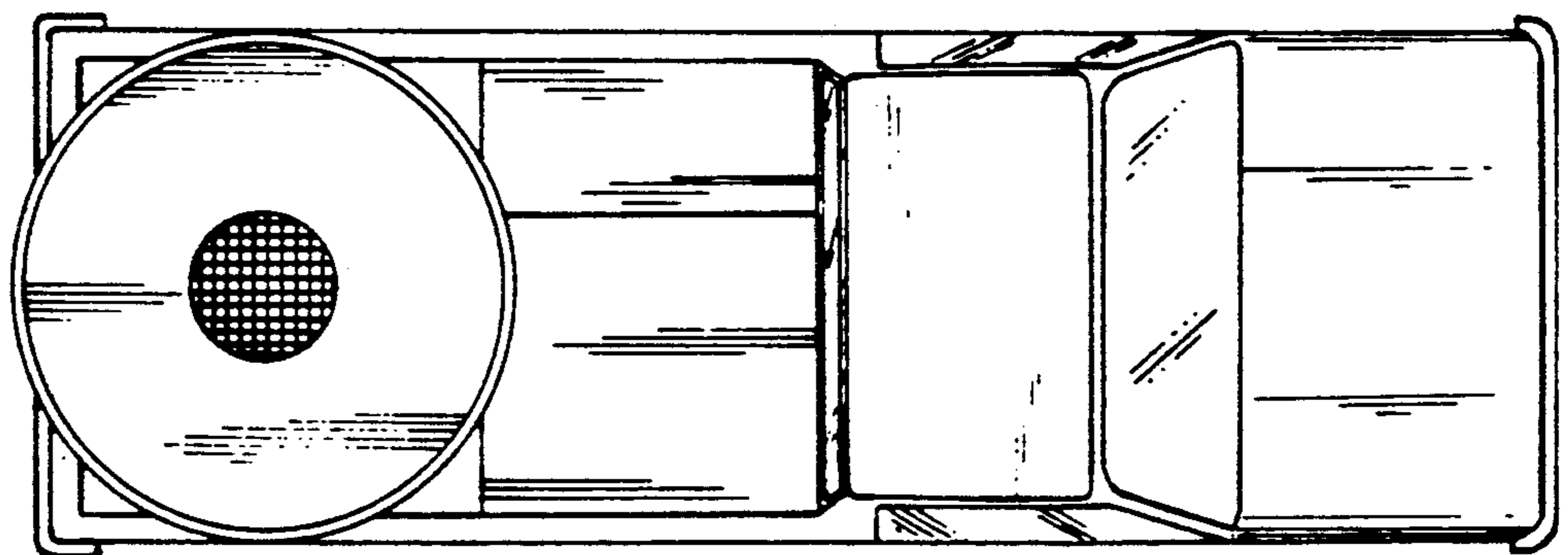


FIG. 6

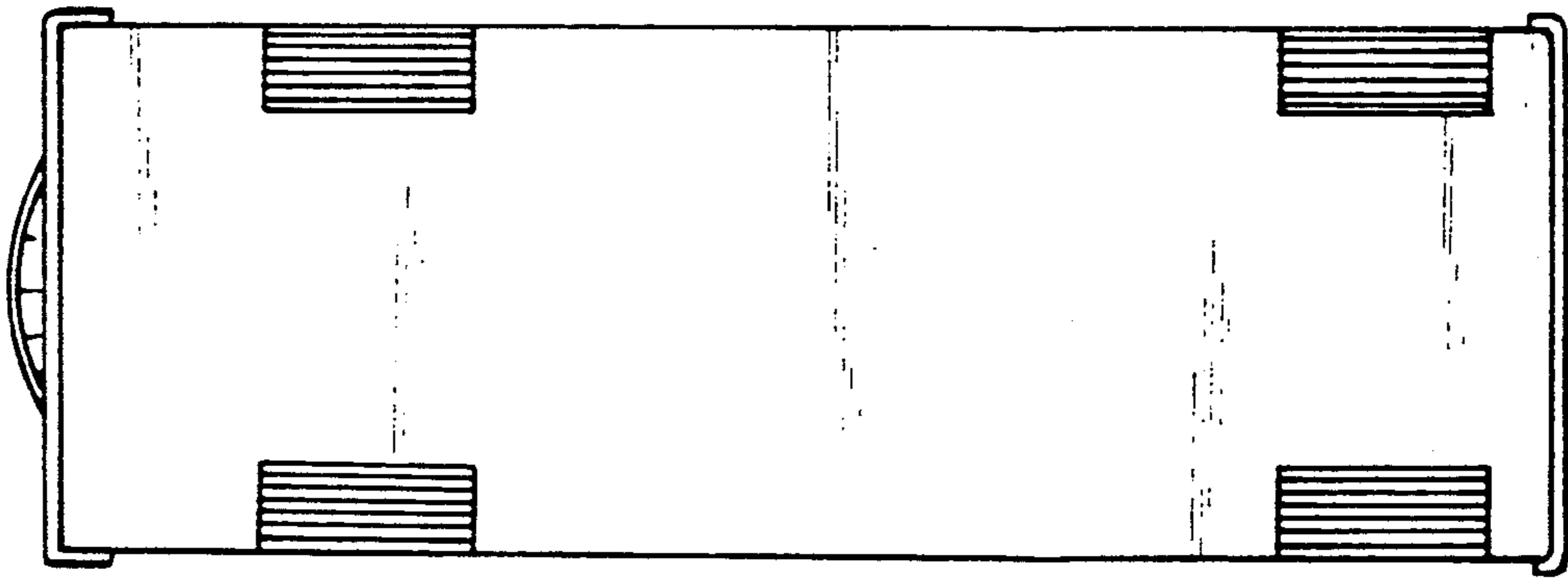


FIG. 7

UNITED STATES PATENT AND TRADEMARK OFFICE
CERTIFICATE OF CORRECTION

PATENT NO. : Des. 322,771
DATED : December 31, 1991
INVENTOR(S) : Roccardo

It is certified that error appears in the above-identified patent and that said Letters Patent is hereby corrected as shown below:

On the title page, under "DESCRIPTION", delete "The dominant feature of the subject design is in the use of an oven shaped like a chicken bucket mounted on the rear bed of the flat bed truck."

Signed and Sealed this
Thirteenth Day of April, 1993

Attest:

Attesting Officer

STEPHEN G. KUNIN

Acting Commissioner of Patents and Trademarks