

United States Patent [19] Helms

[11] Patent Number: **Des. 322,770**

[45] Date of Patent: **** Dec. 31, 1991**

[54] SANDSLED

[75] Inventor: **Anthony L. Helms**, Warner Robins, Ga.

[73] Assignee: **Sandbuggy Manufacturing Company**, Warner Robins, Ga.

[**] Term: **14 Years**

[21] Appl. No.: **182,324**

[22] Filed: **Apr. 15, 1988**

[52] U.S. Cl. **D12/6**

[58] Field of Search **D12/6, 11; 280/12 B, 280/18, 19, 16, 17, 21 R**

[56] **References Cited**

U.S. PATENT DOCUMENTS

D. 170,886 11/1953 Paden et al. D12/11
D. 219,211 11/1970 Nixon D12/6

D. 219,463 12/1970 Diamond D12/11
2,735,690 2/1956 Paden et al. 280/18

OTHER PUBLICATIONS

Coleco flyer, Oct. 69, Steering Thunderbolt Toboggan. Anspell Playtime Products, Inc. brochure, Mar. 69, Trail-Blazer and Kid-Dee Snow sleds.

Primary Examiner—Wallace R. Burke

Assistant Examiner—Melody Brown

[57] **CLAIM**

The ornamental design for a sandsled, as shown.

DESCRIPTION

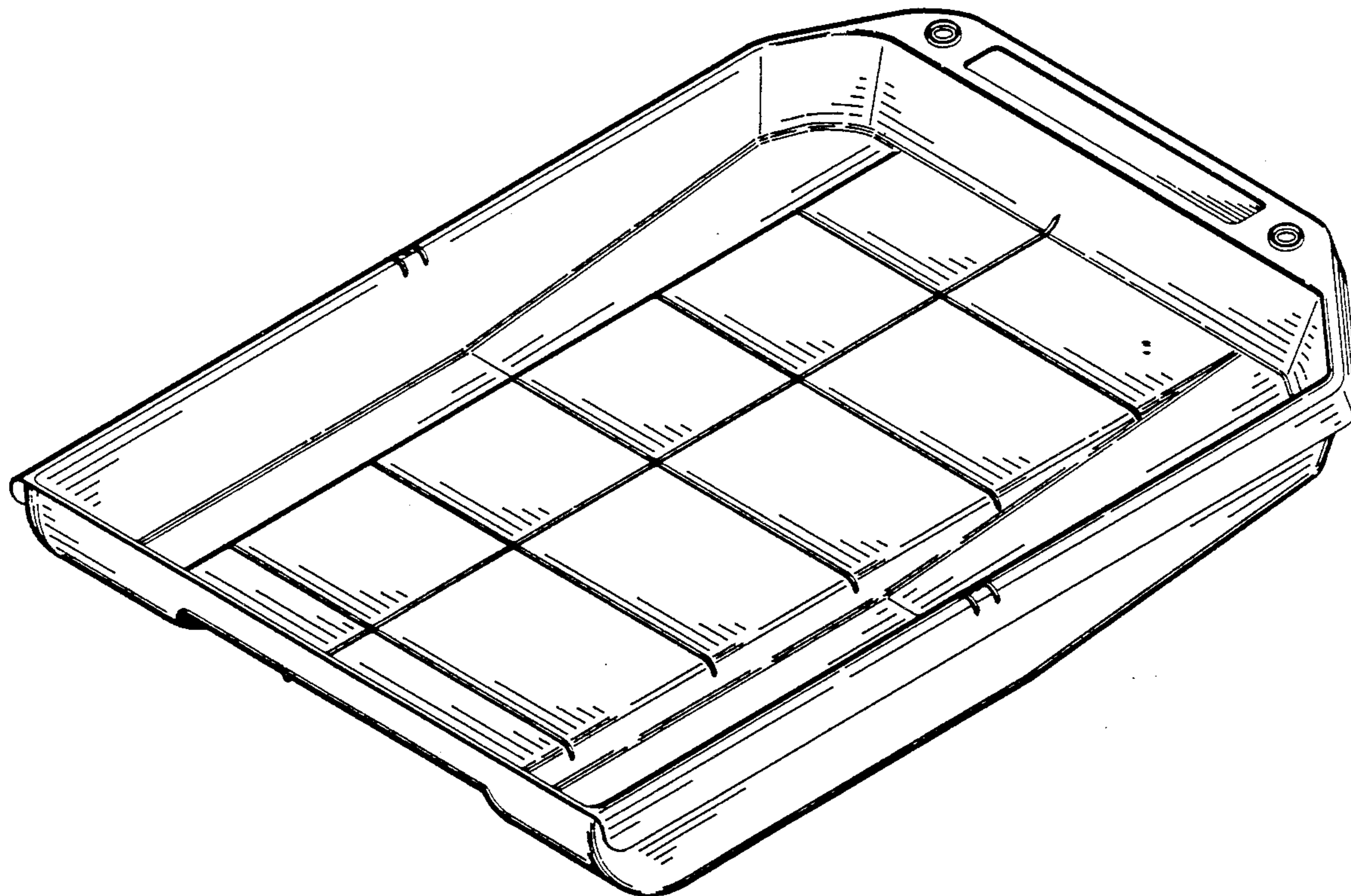
FIG. 1 is a top plan view of a sandsled showing my new design;

FIG. 2 is a side elevation view thereof;

FIG. 3 is a front elevation view thereof;

FIG. 4 is an isometric view thereof;

FIG. 5 is a rear elevation view thereof.



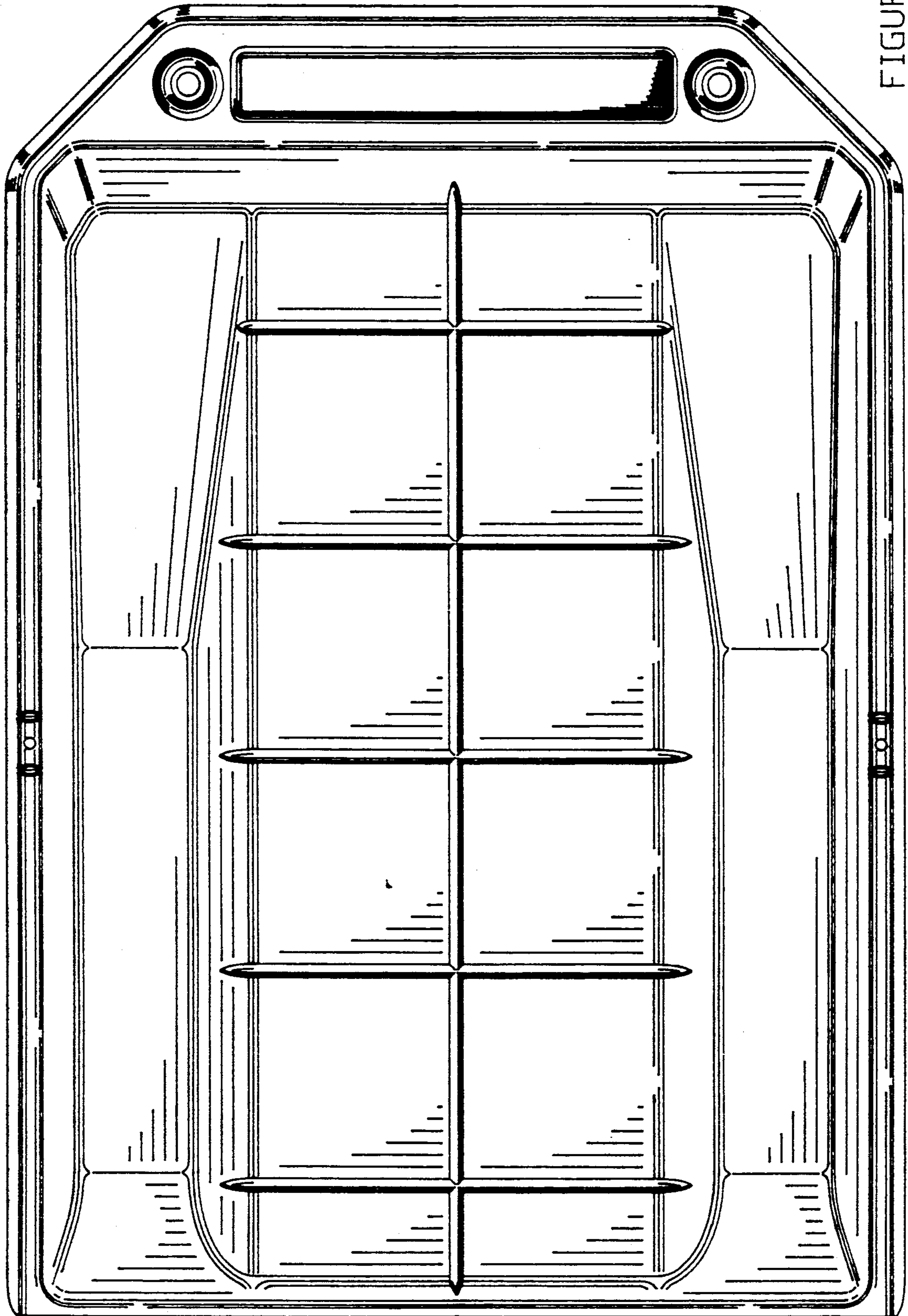


FIGURE 1

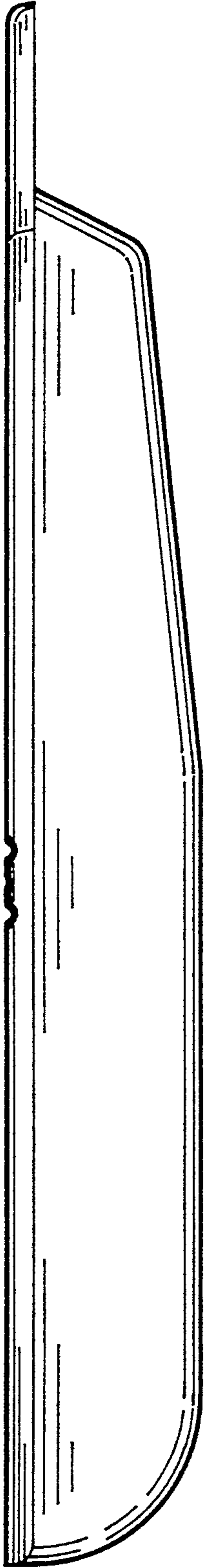


FIGURE 2

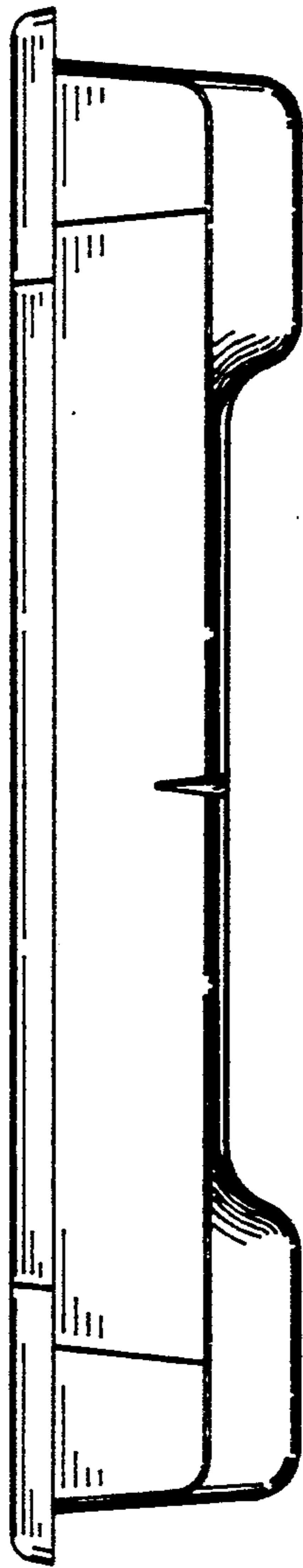


FIGURE 3



FIGURE 5

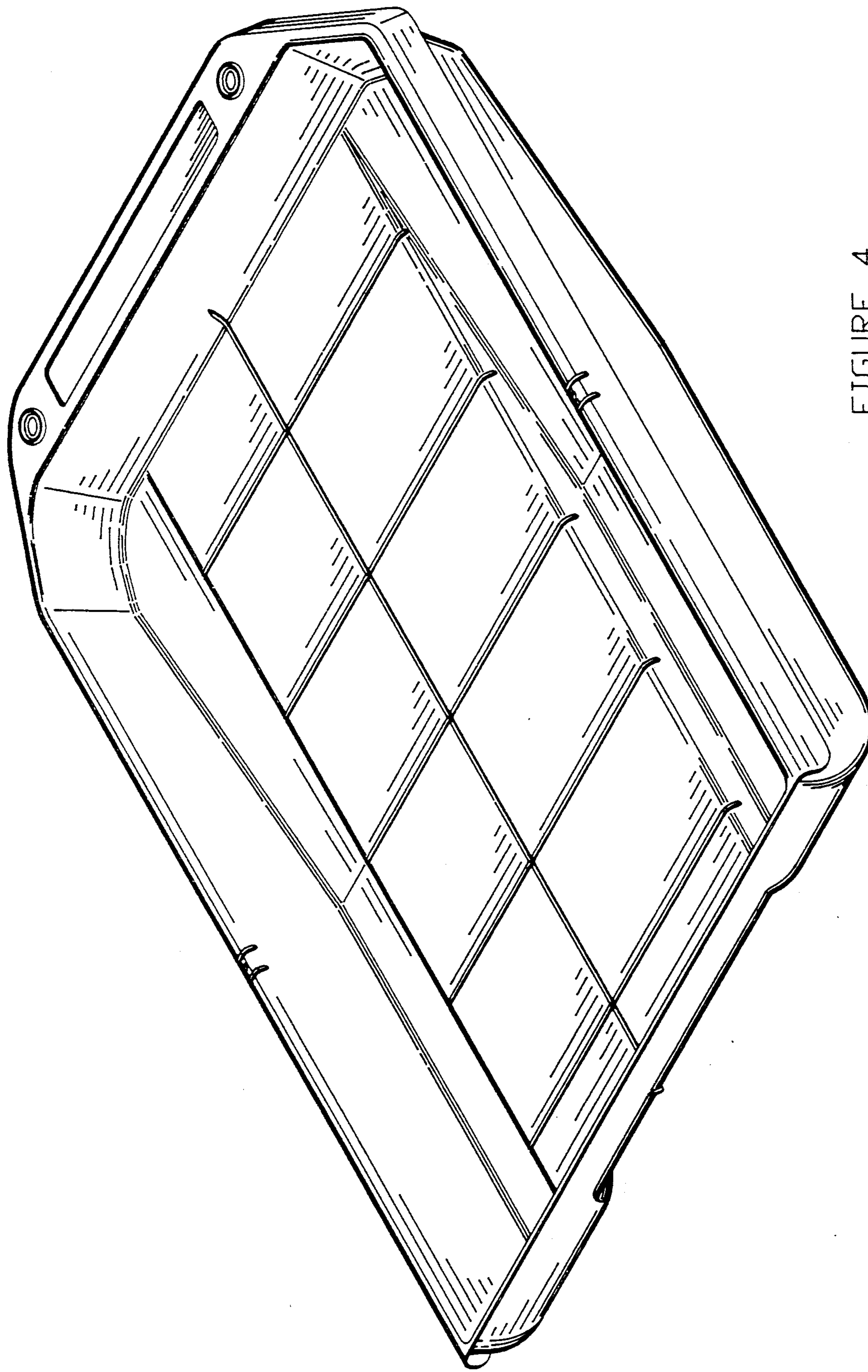


FIGURE 4