

United States Patent [19]

Groves

[11] Patent Number: Des. 322,759

[45] Date of Patent: ** Dec. 31, 1991

[54] CONTAINER

[75] Inventor: Maurice C. Groves, Brisbane, Australia

[73] Assignee: Amcor Limited, South Melbourne, Australia

[**] Term: 14 Years

[21] Appl. No.: 352,820

[22] Filed: May 16, 1989

[30] Foreign Application Priority Data

Mar. 2, 1989 [AU] Australia 569/89

[52] U.S. Cl. D9/433; D9/431; D9/416

[58] Field of Search D9/433, 432, 431, 345, D9/416; D34/40; 206/804, 273, 817, 255; 229/906, DIG. 13, 913

[56] References Cited

U.S. PATENT DOCUMENTS

D. 249,218 9/1978 Mathison et al. D9/433 X
D. 288,784 3/1987 Nathan et al. D9/456
2,128,342 8/1938 Zalkind 229/913 X

3,260,405 7/1966 Frischer et al. 206/804 X
3,279,593 10/1966 Cote 206/273 X
3,479,105 11/1969 Farren 206/561 X
4,585,124 4/1986 Pride 206/804 X
4,664,310 5/1987 Schmidt 206/804 X
4,940,190 7/1990 Groves 206/804 X

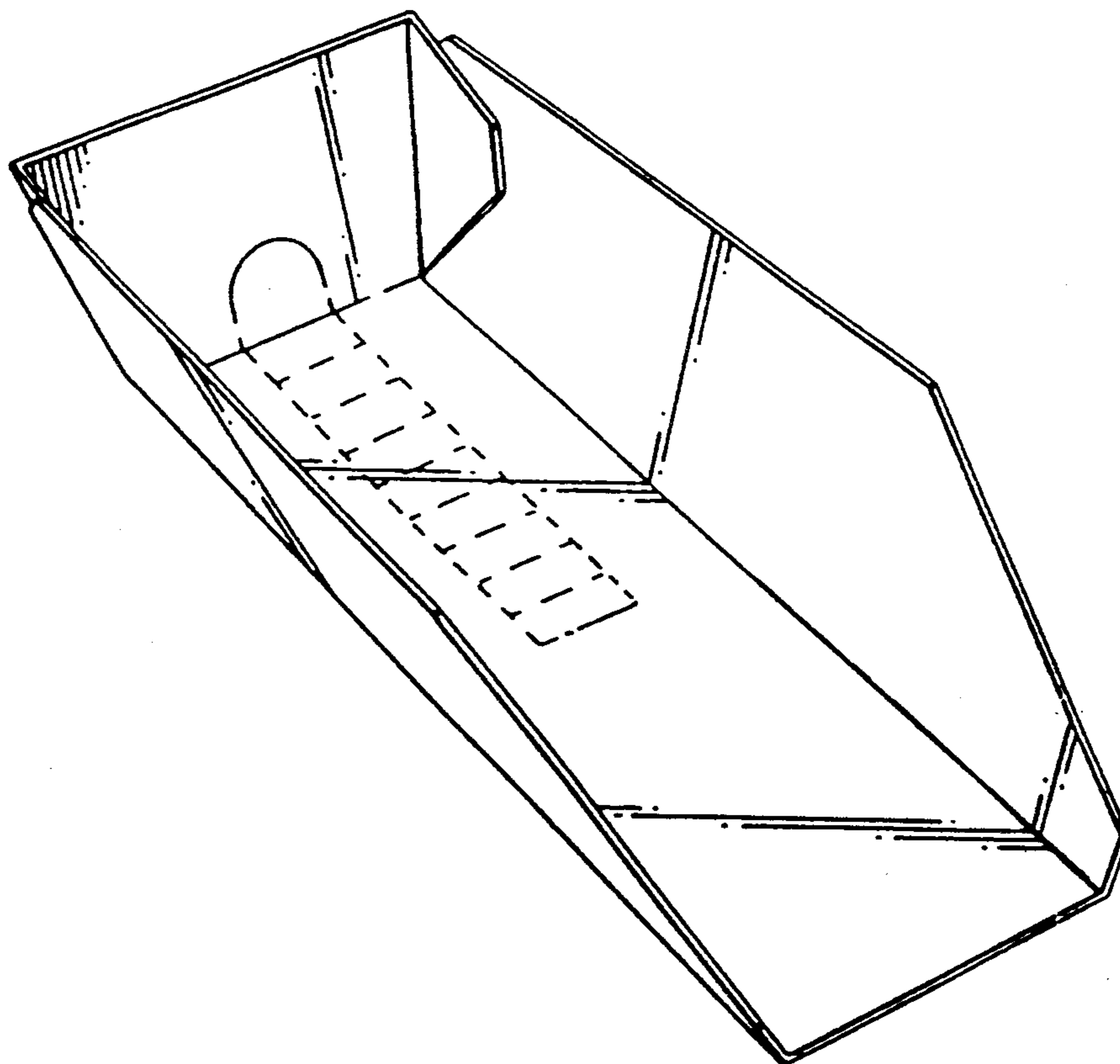
Primary Examiner—Bernard Ansher
Assistant Examiner—Prabhakar Deshmokh
Attorney, Agent, or Firm—DeLio & Associates

[57] CLAIM

The ornamental design for a container, as shown and described.

DESCRIPTION

FIG. 1 is a blank of a container showing my new design; FIG. 2 is a top perspective view showing the blank in an assembled condition; FIG. 3 is a rear elevation thereof; FIG. 4 is a bottom perspective view thereof; and FIG. 5 is a top perspective view thereof; similar to FIG. 2 with a partially open tear strip. The dash lines represent tear strip. The lines alternating short and long dashes in FIG. 1 represent fold lines.



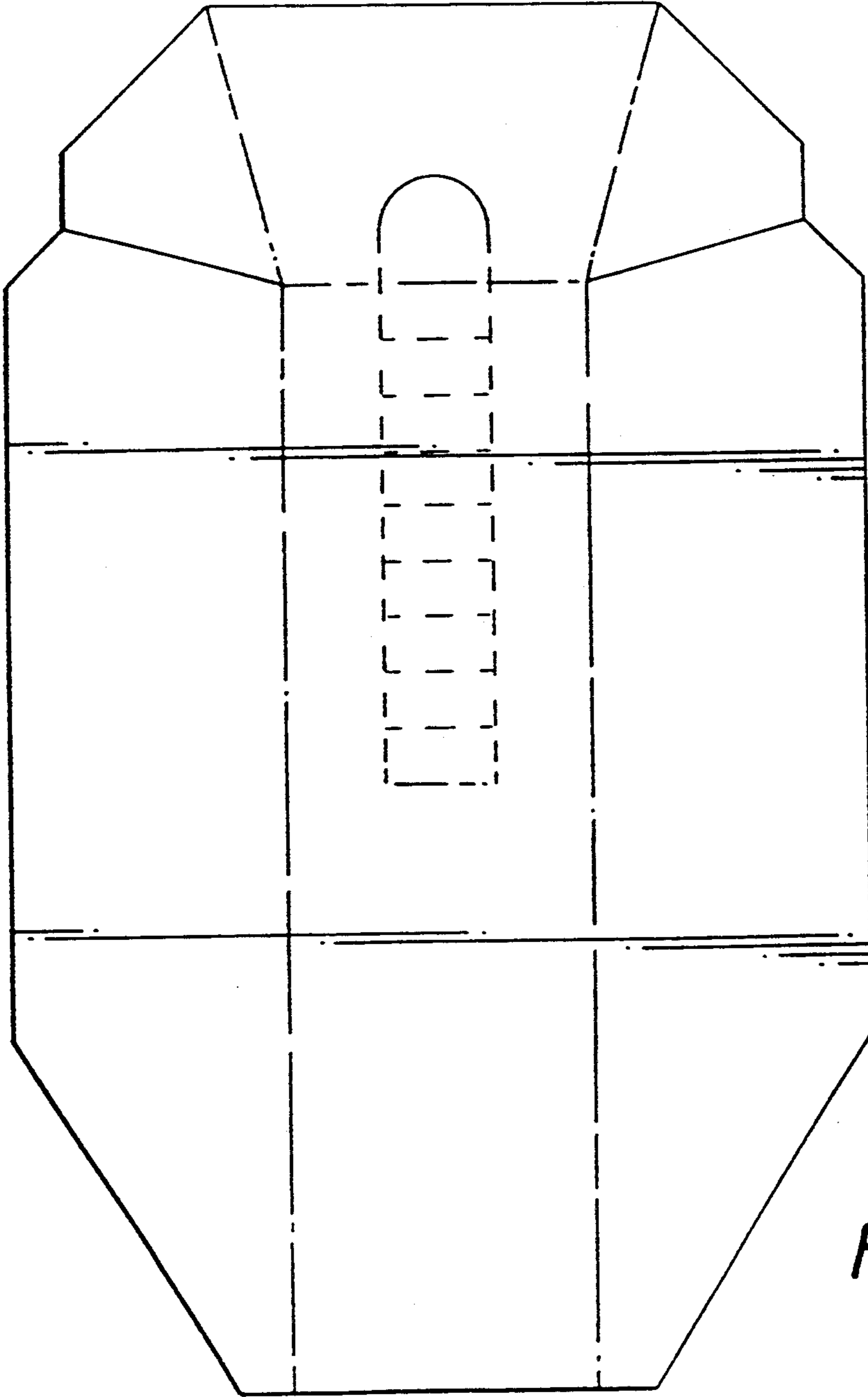


Fig.1.

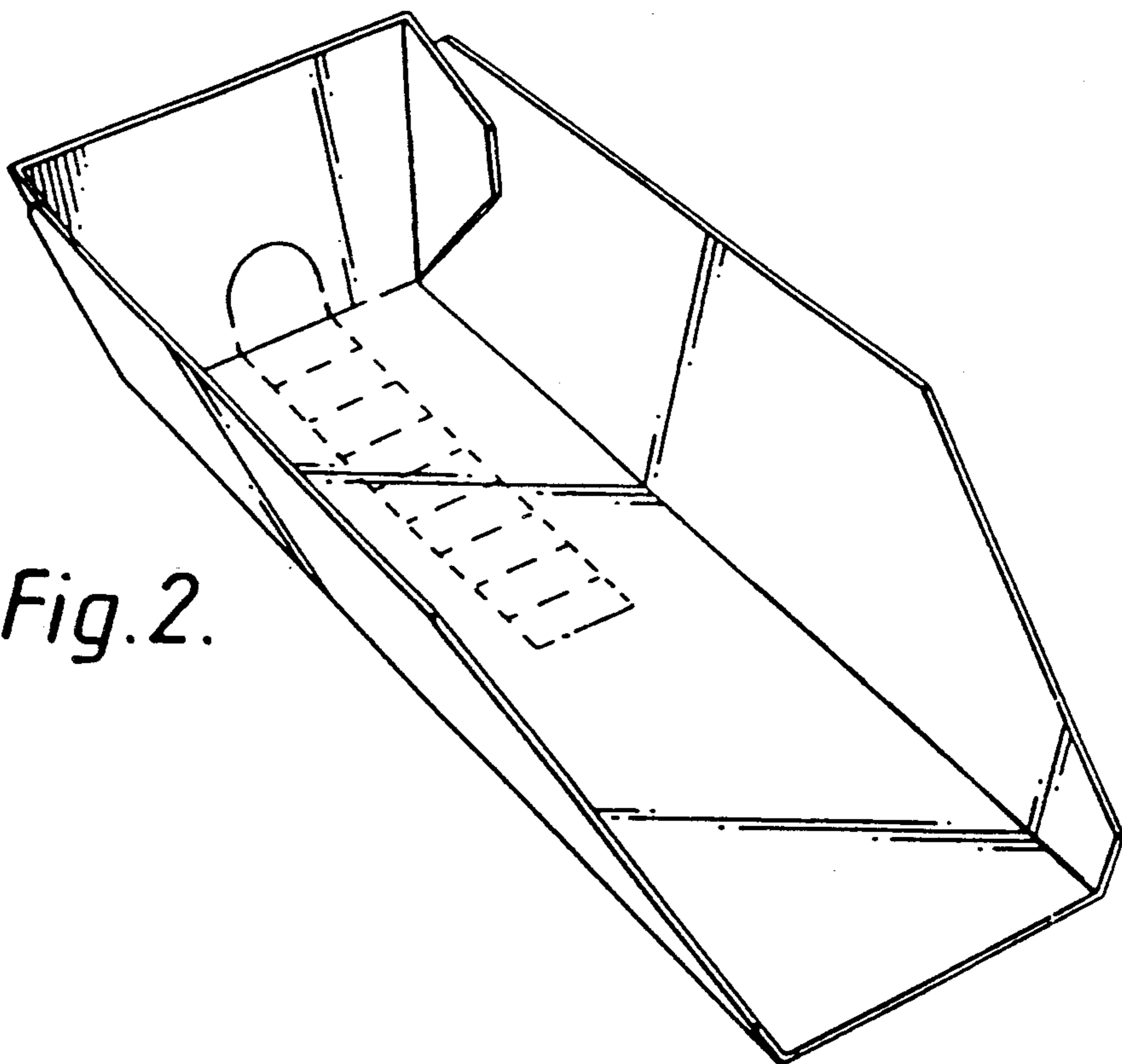


Fig. 2.

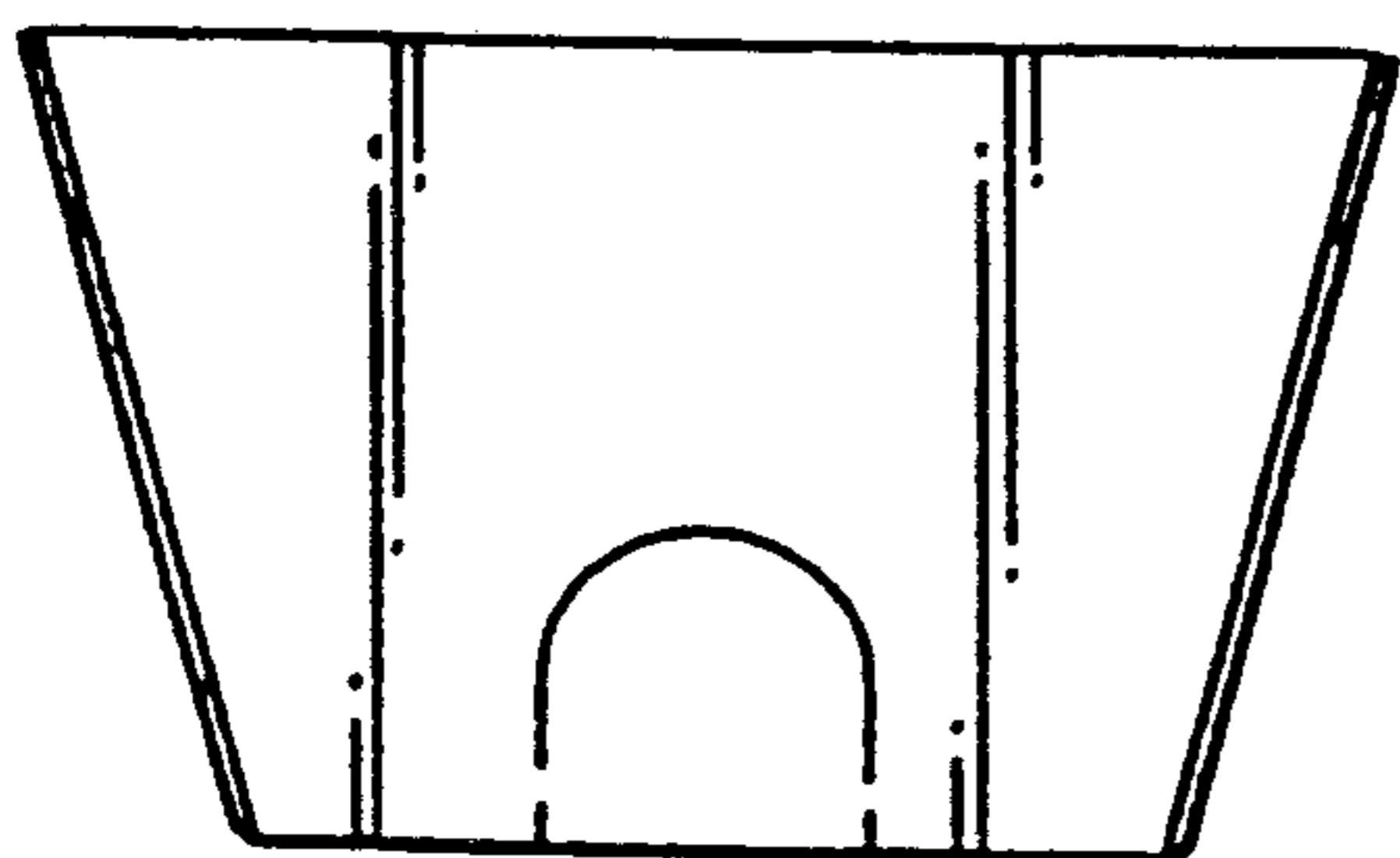


Fig. 3.

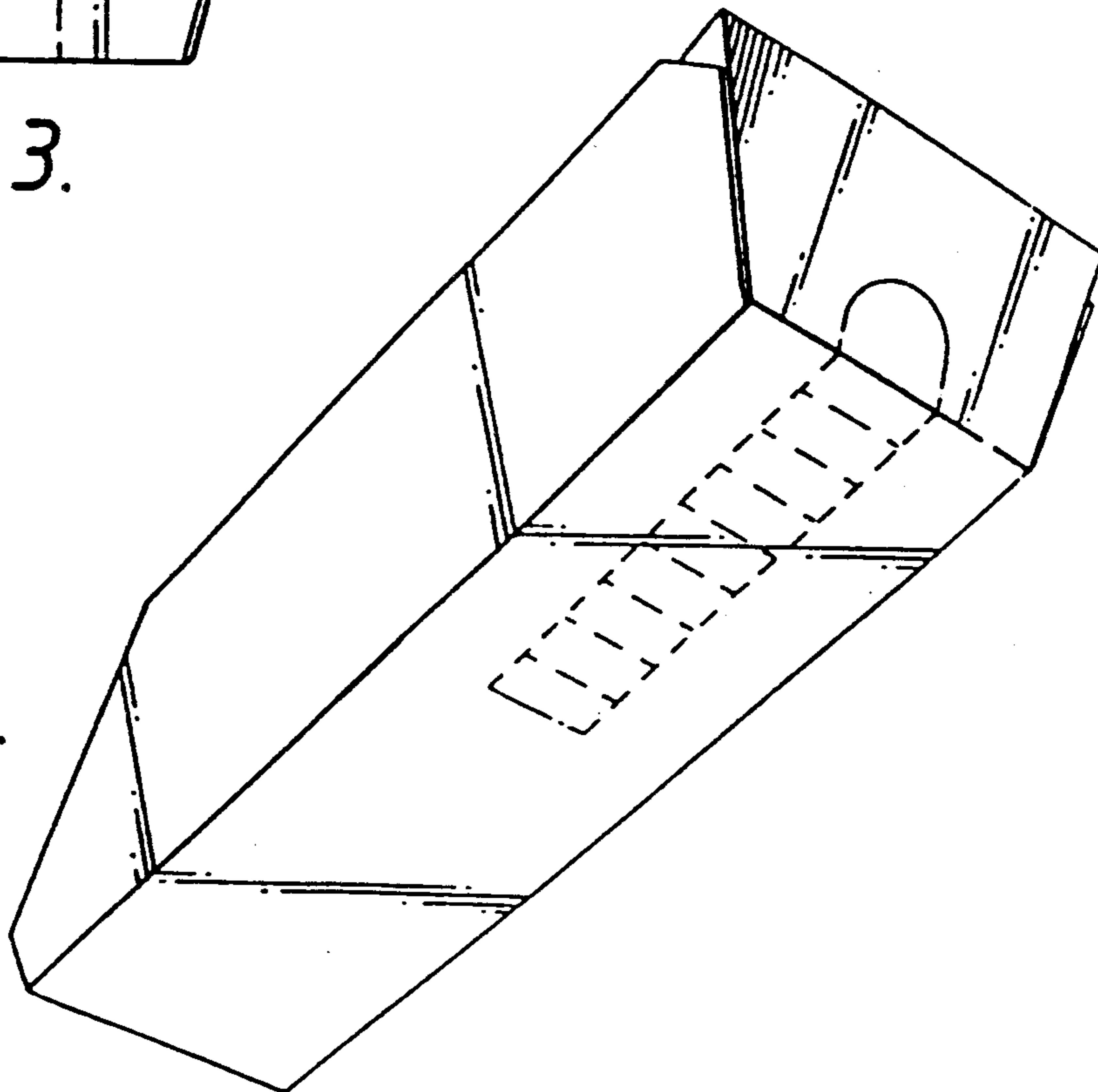


Fig. 4.

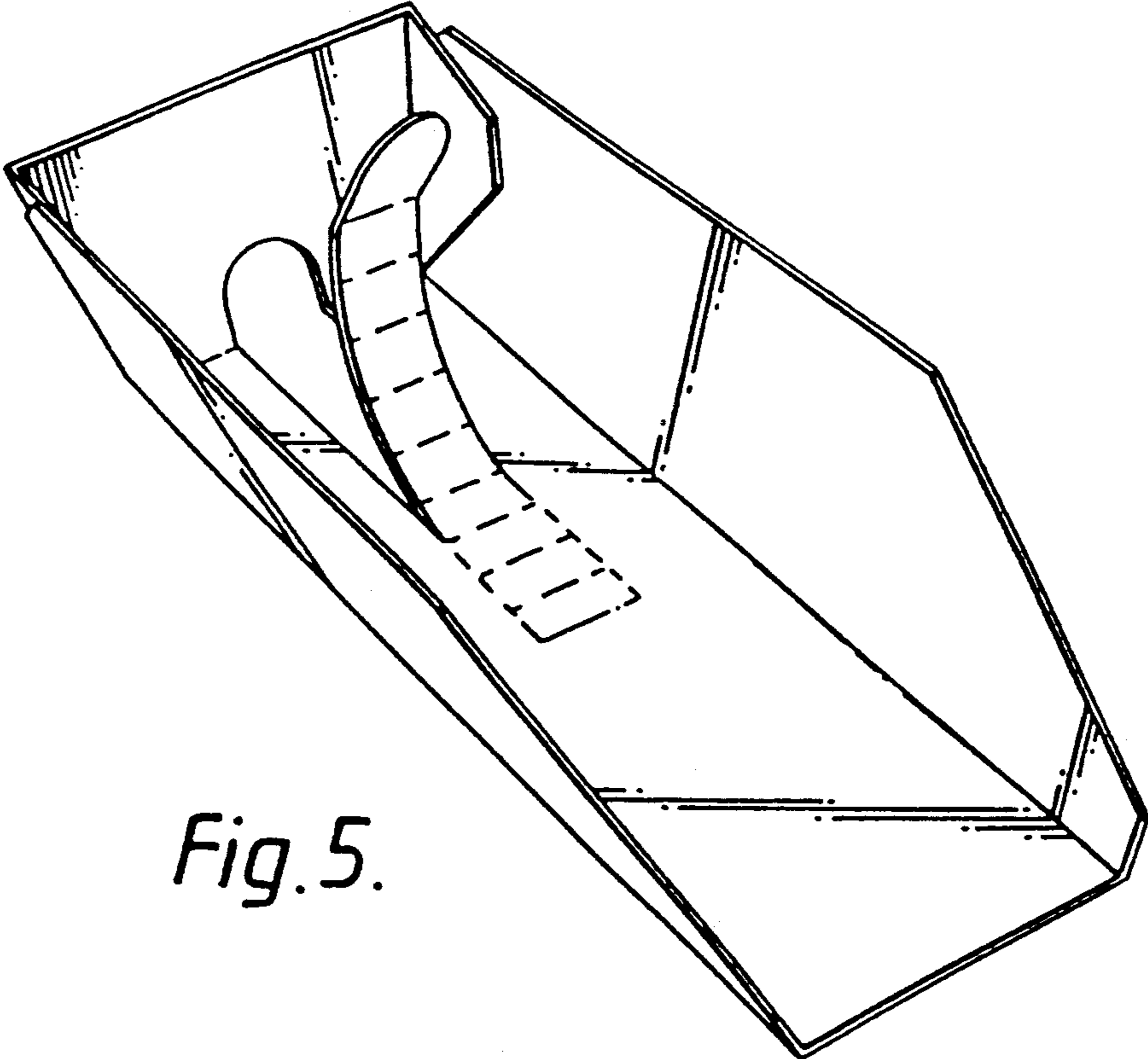


Fig. 5.