

**United States Patent** [19]

Leto

[11] **Patent Number: Des. 322,747**

[45] **Date of Patent: \*\* Dec. 31, 1991**

[54] **LEASH HANGER**

[76] **Inventor: Joseph Leto, 208 Faywood Ave., East Boston, Mass. 02128**

[\*\*] **Term: 14 Years**

[21] **Appl. No.: 423,097**

[22] **Filed: Oct. 18, 1989**

[52] **U.S. Cl. .... D8/367; D6/552**

[58] **Field of Search ..... D6/512, 553, 552, 567, D6/572; D20/19; 211/13, 60.1, 67, 86-87, 105.2; 248/304, 309.1, 309.2, 339; D8/367**

[56] **References Cited**

**U.S. PATENT DOCUMENTS**

D. 254,422 3/1980 Fredriksson ..... D8/367

D. 264,426 5/1982 Einhorn ..... D8/367  
D. 300,507 4/1989 Rabb ..... D8/367  
3,718,260 2/1973 Sharp ..... 211/13

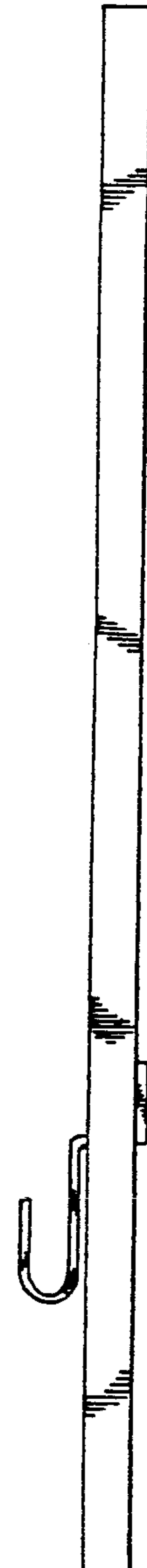
*Primary Examiner—Brian N. Vinson  
Attorney, Agent, or Firm—William F. Hamrock*

[57] **CLAIM**

The ornamental design for a leash hanger, as shown and described.

**DESCRIPTION**

FIG. 1 is a front elevational view of a leash hanger showing my new design;  
FIG. 2 is a bottom plan view thereof;  
FIG. 3 is a rear elevational view thereof;  
FIG. 4 is a right side elevational view thereof, the left side being a mirror image of that shown; and  
FIG. 5 is a top plan view thereof.



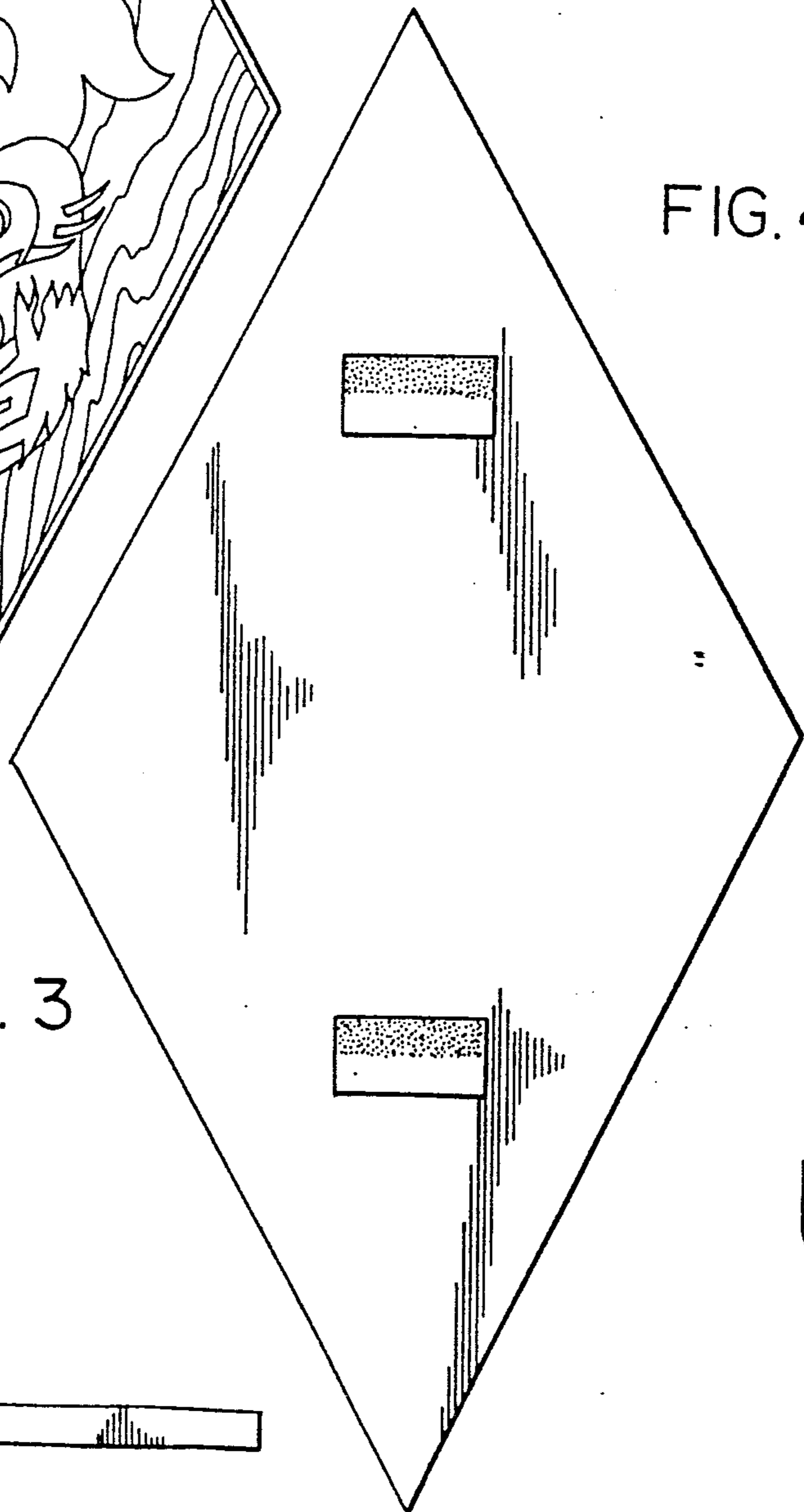
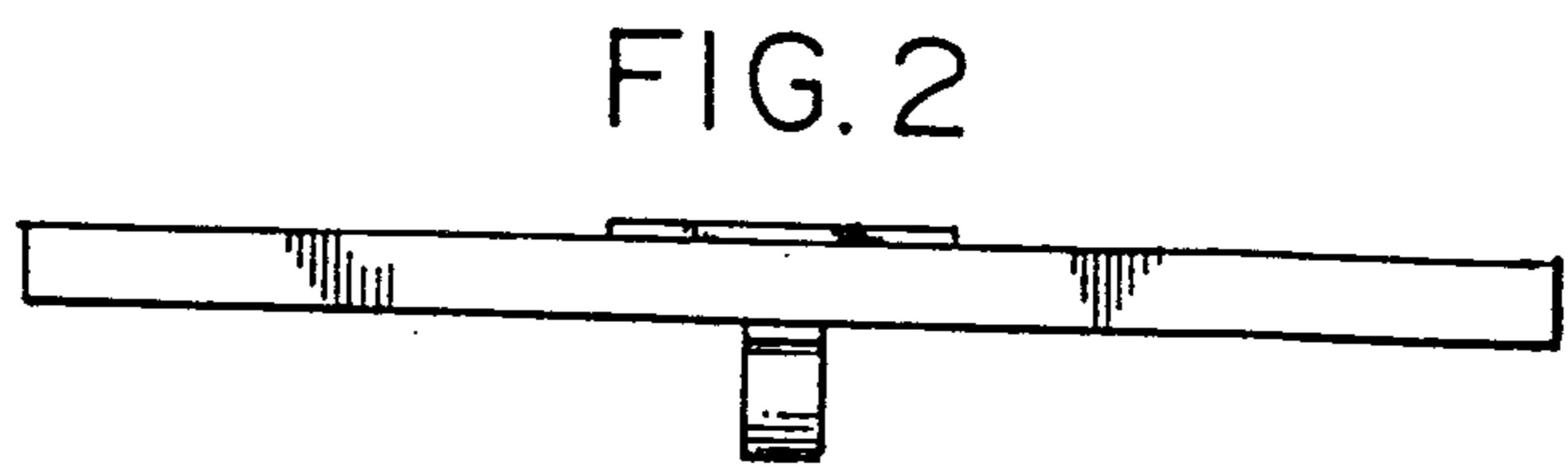
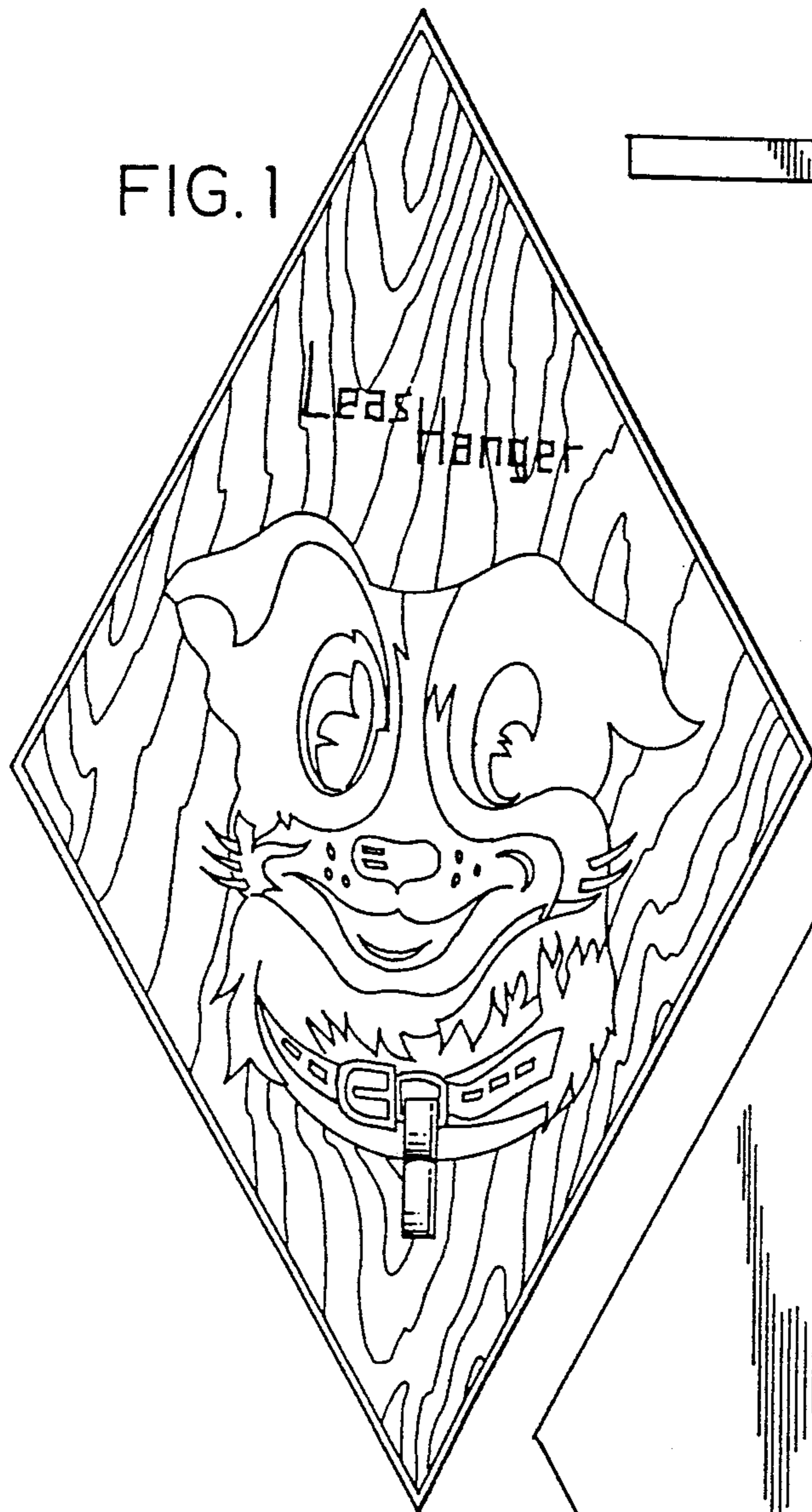


FIG. 4

