

[54] GARDEN HOSE RACK  
 [76] Inventor: Gregory K. Sassano, 1305 Peach Ave., Clovis, Calif. 93612  
 [\*\*] Term: 14 Years  
 [21] Appl. No.: 240,115  
 [22] Filed: Sep. 2, 1988  
 [52] U.S. Cl. .... D8/356  
 [58] Field of Search ..... D8/356, 373, 354, 381; 248/89

located 5 rows down, 2 columns from the left-Notated Hose Hangers.

Primary Examiner—Wallace R. Burke  
 Assistant Examiner—H. Baynham  
 Attorney, Agent, or Firm—Leon Gilden

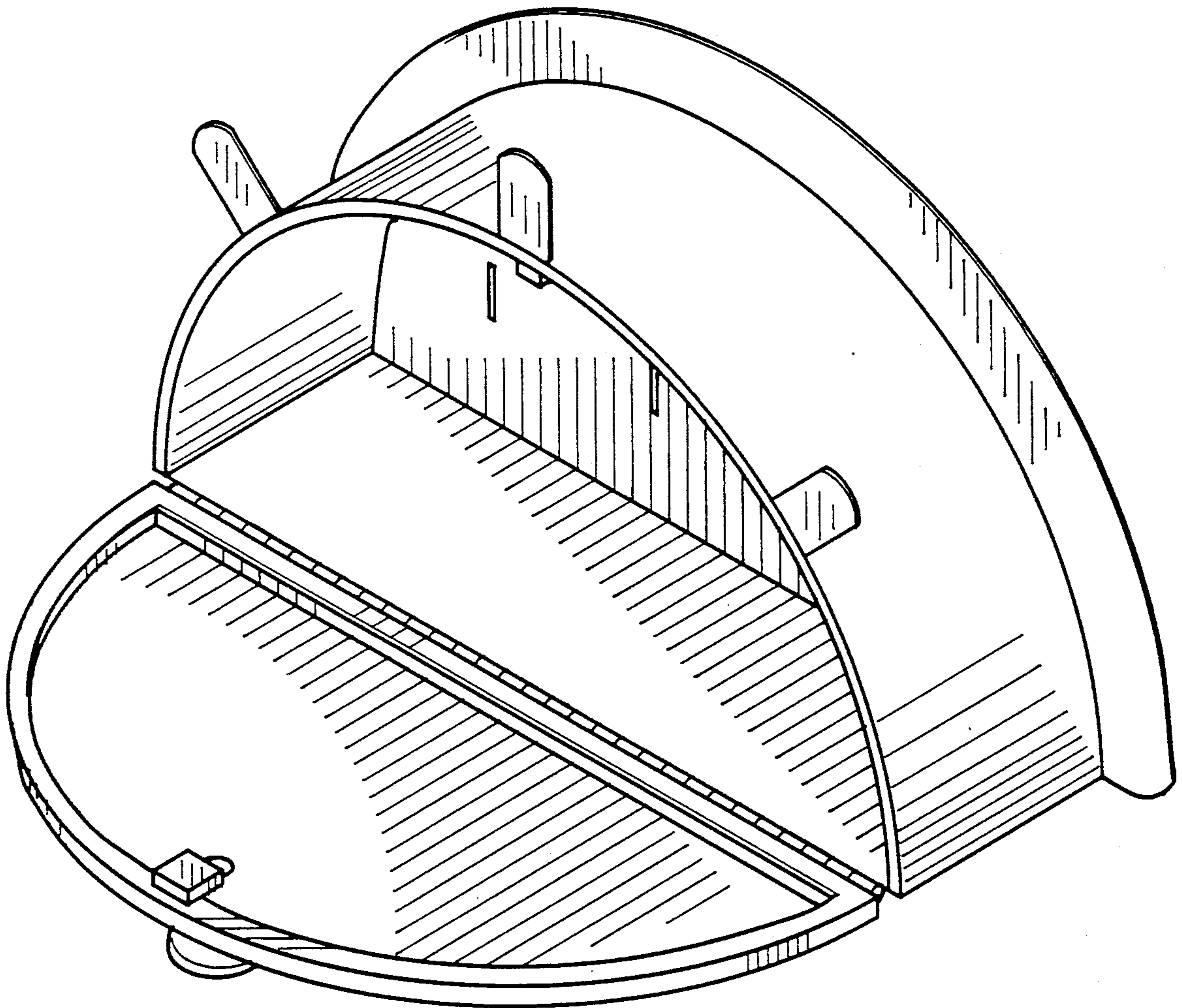
[57] CLAIM

The ornamental design for a garden hose rack, as shown and described.

DESCRIPTION

FIG. 1 is a front elevational view of a garden hose rack showing my new design;  
 FIG. 2 is a rear elevational view thereof;  
 FIG. 3 is a left side elevational view thereof;  
 FIG. 4 is a right side elevational view thereof;  
 FIG. 5 is a top plan view thereof;  
 FIG. 6 is a bottom plan view thereof; and,  
 FIG. 7 is a perspective view thereof.

[56] References Cited  
 U.S. PATENT DOCUMENTS  
 D. 288,284 2/1987 Courtemanche et al. .... D8/373  
 955,260 4/1910 Getman ..... 248/89  
 OTHER PUBLICATIONS  
 Housewares Review, Jan. 1960,p. 131 Hose Hanger,



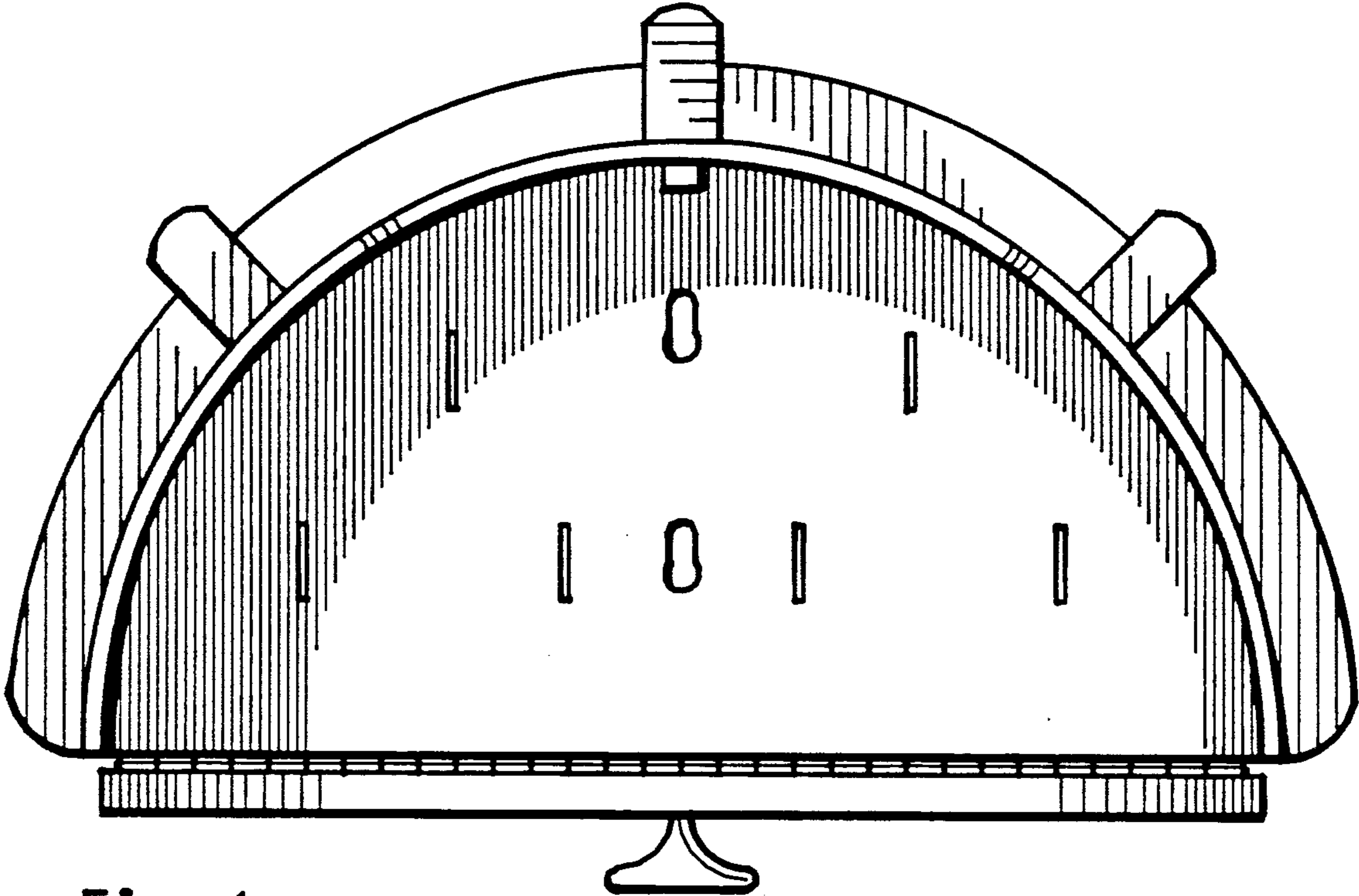


Fig. 1

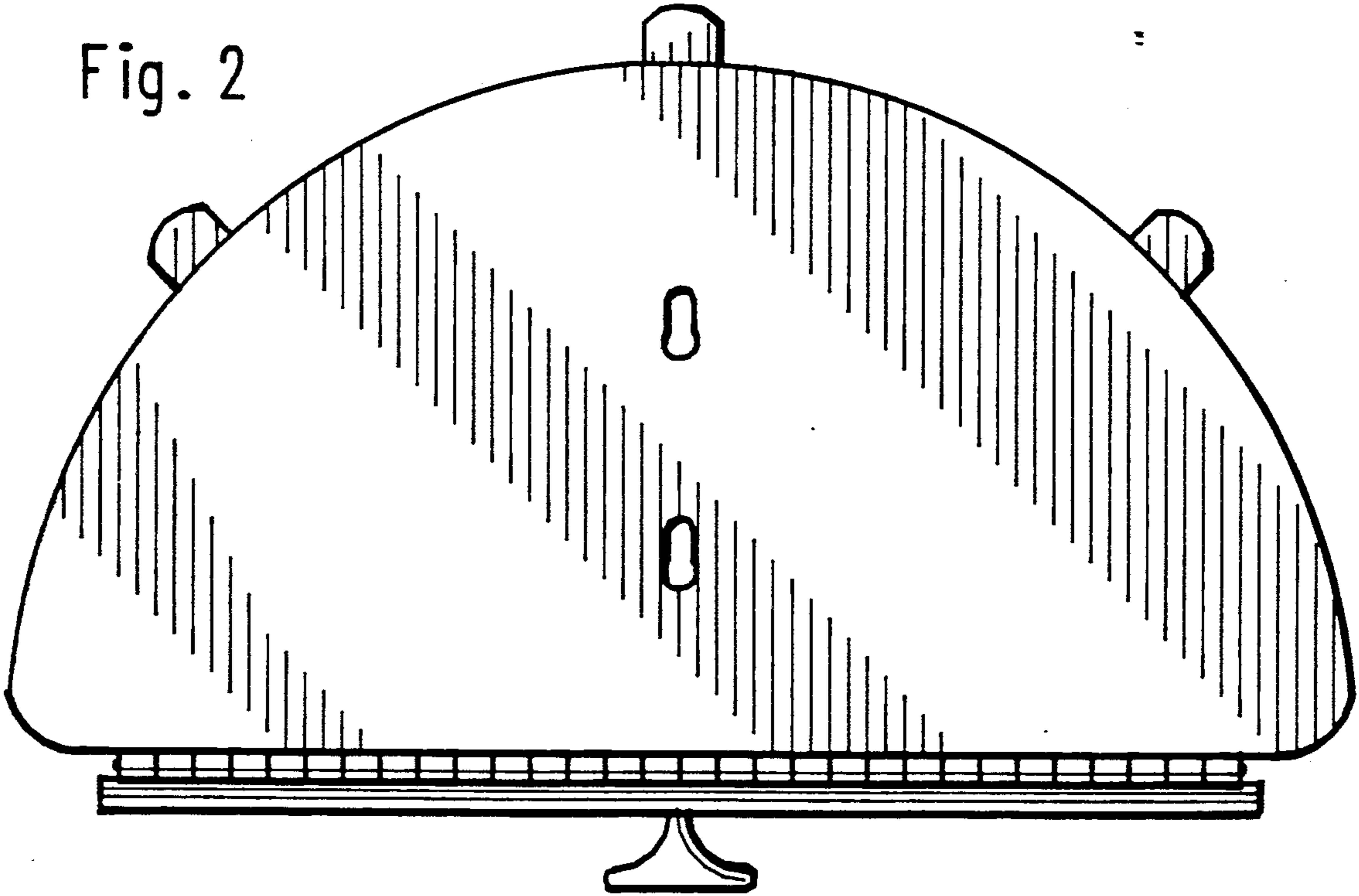
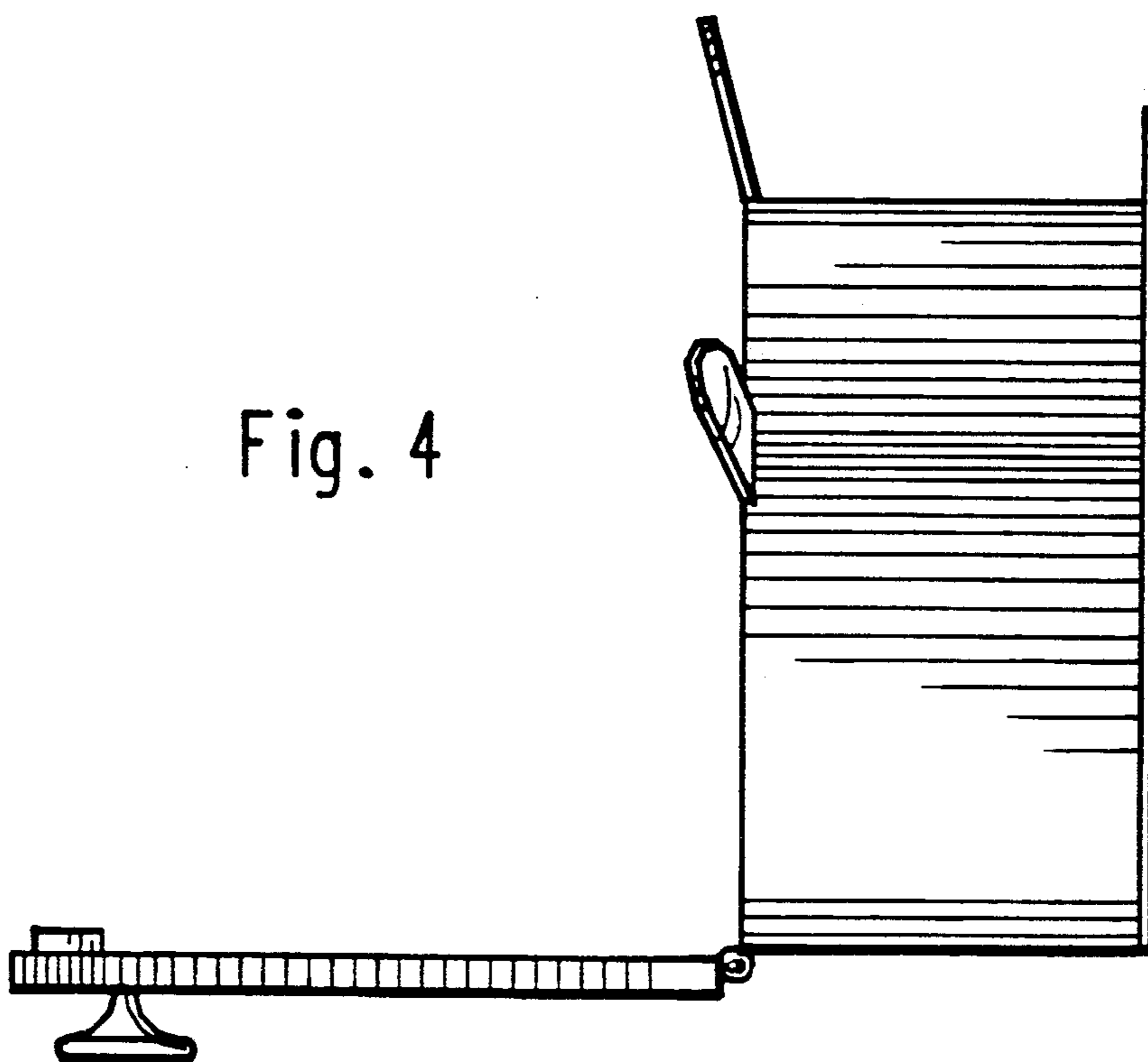
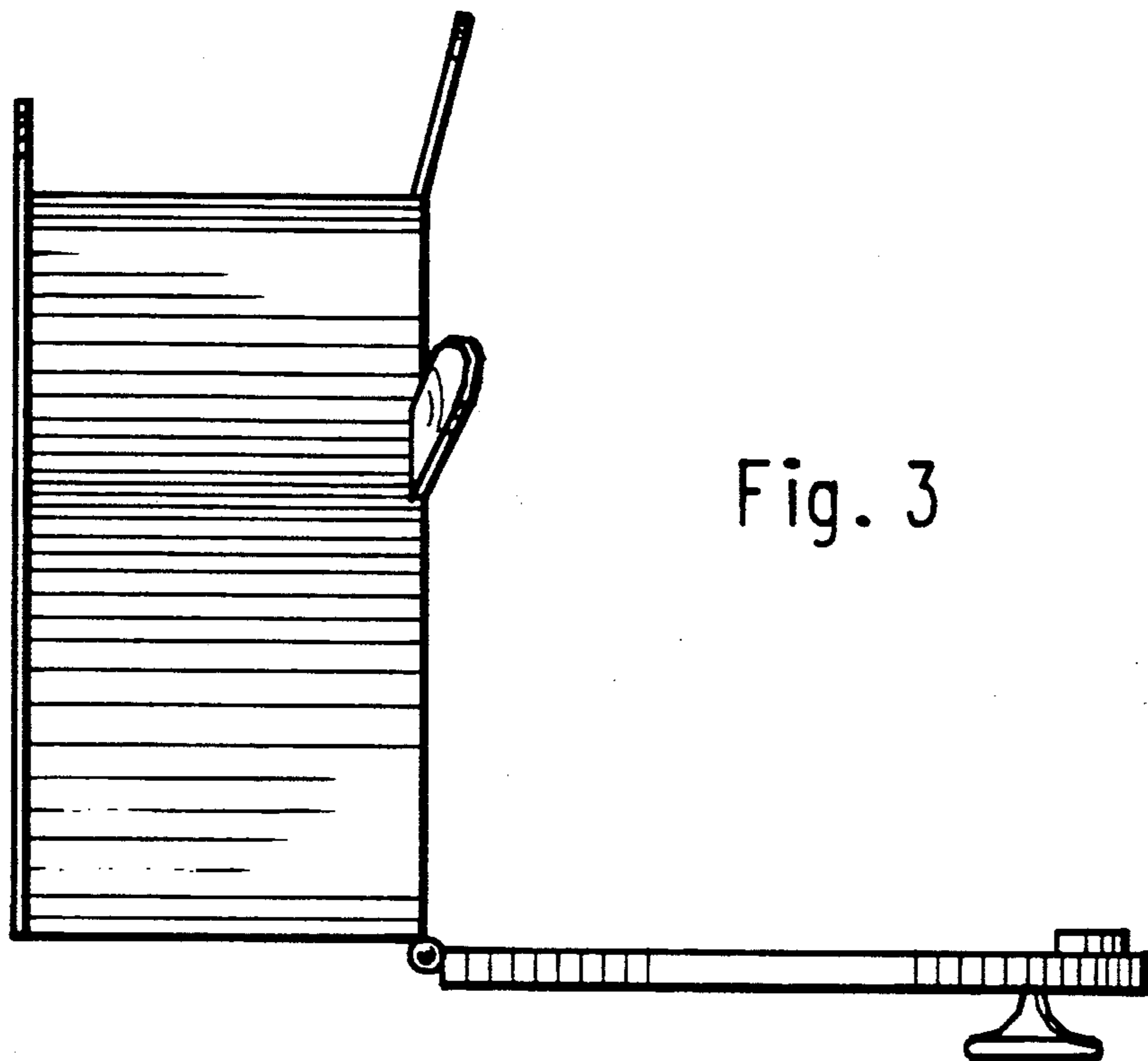


Fig. 2



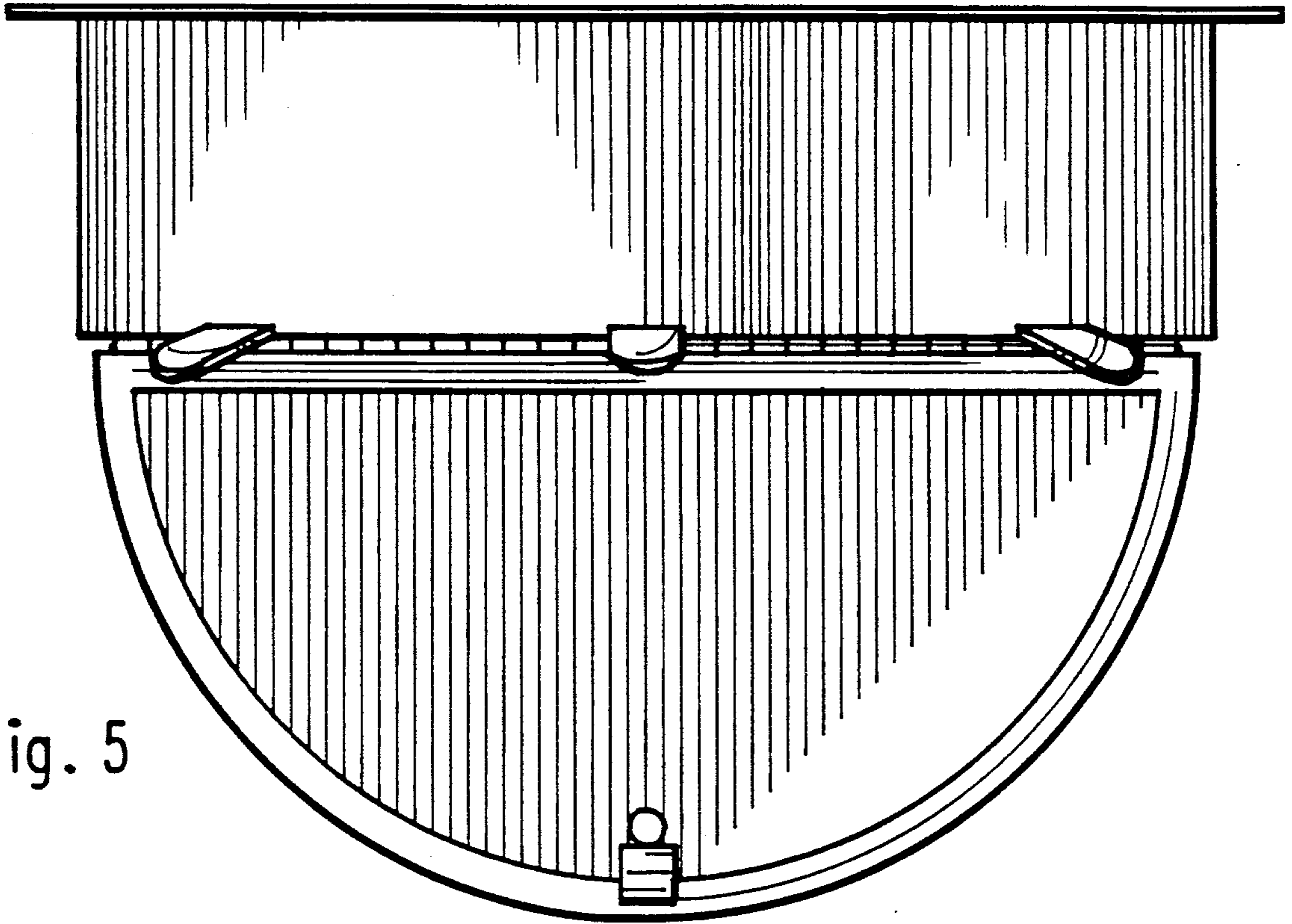


Fig. 5

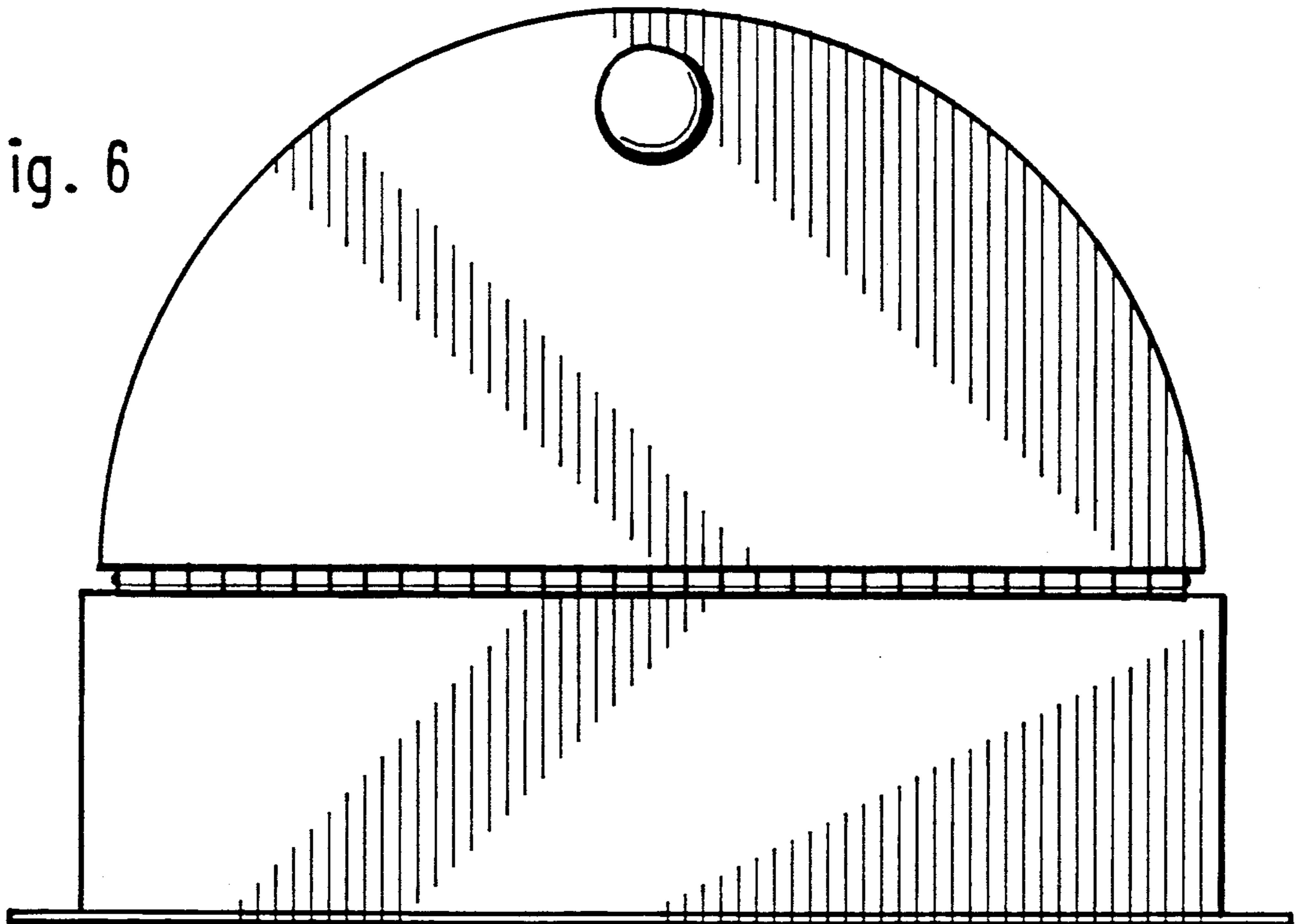


Fig. 6

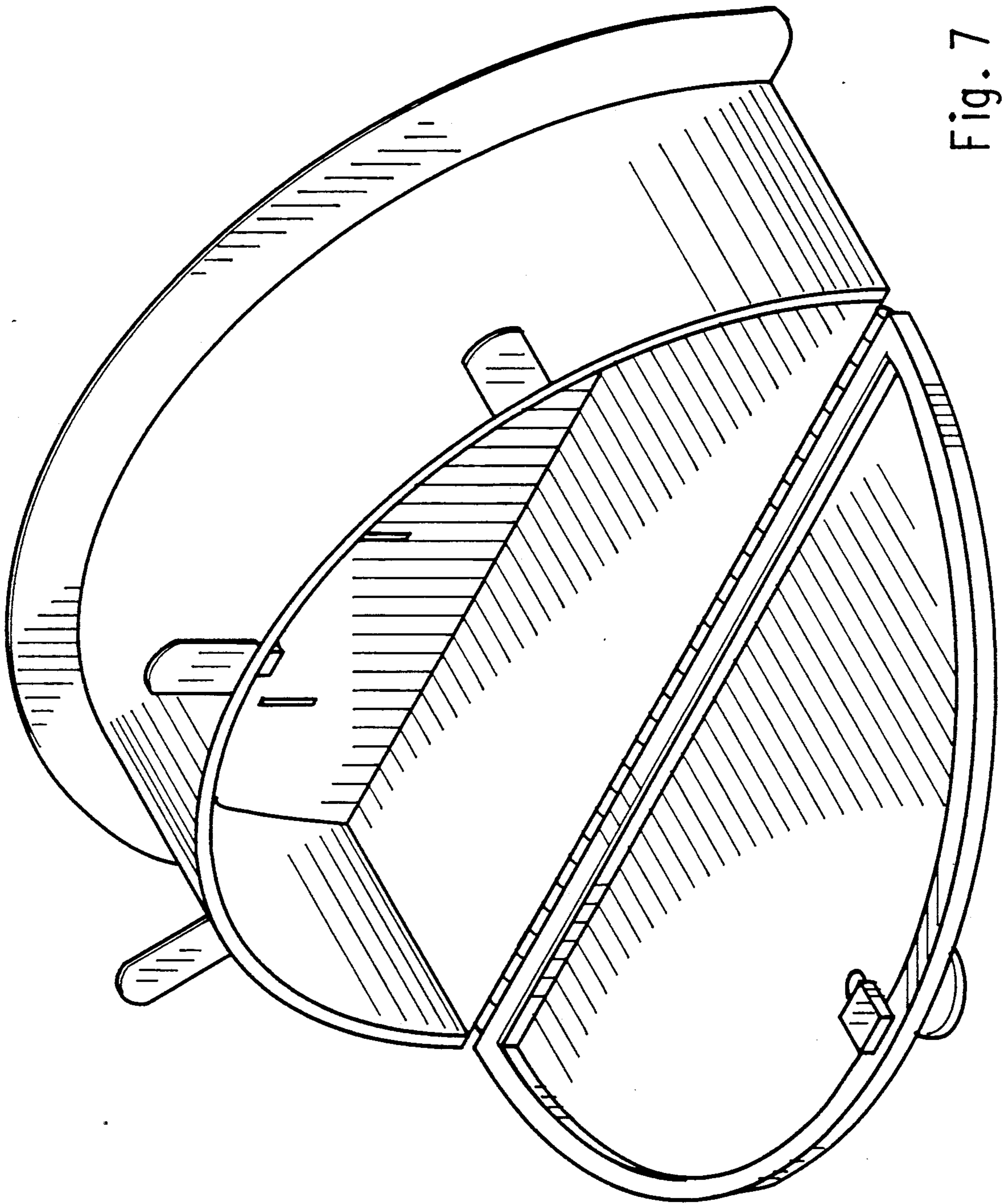


Fig. 7