

United States Patent [19]

Donalies

[11] Patent Number: **Des. 322,744**

[45] Date of Patent: **** Dec. 31, 1991**

[54] **STARTER LOCK FOR A JET SKI OR PERSONAL WATERCRAFT**

[76] Inventor: **Richard W. Donalies**, 1545 Newcastle La., Hoffman Estates, Ill. 60194

[**] Term: **14 Years**

[21] Appl. No.: **417,815**

[22] Filed: **Oct. 5, 1989**

[52] U.S. Cl. **D8/333**

[58] Field of Search **D8/330-331, D8/333; 70/14, 18-19, 54, 57, 58, 158, 174, 237; 292/288, 289**

[56] **References Cited**

U.S. PATENT DOCUMENTS

D. 221,417 8/1971 Prichard D8/333
D. 247,423 3/1978 Kaplan D8/333
D. 301,541 6/1989 Gifford D8/331

1,594,586 8/1926 Anderson 70/18
4,074,550 2/1978 Rowlings 70/237
4,549,417 10/1985 Rivera D8/330 X

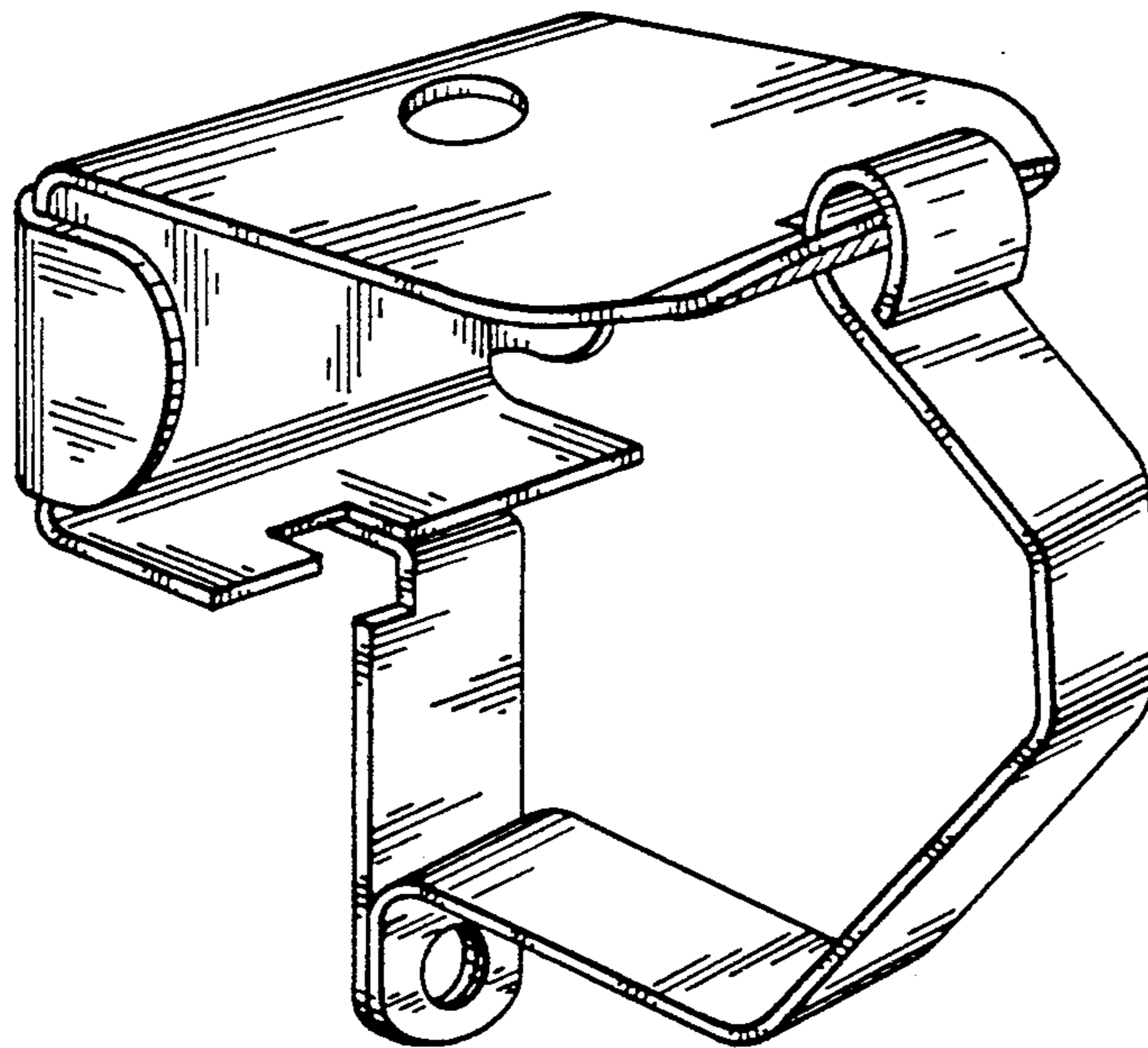
Primary Examiner—Brian N. Vinson
Attorney, Agent, or Firm—Arnold, White & Durkee

[57] **CLAIM**

The ornamental design for a starter lock for a jet ski or personal watercraft, as shown and described.

DESCRIPTION

FIG. 1 is a top, front, and left side perspective view of a starter lock for a jet ski or personal watercraft showing my design;
FIG. 2 is a top plan view thereof;
FIG. 3 is a front elevational view thereof;
FIG. 4 is a right side elevational view thereof;
FIG. 5 is a left side elevational view thereof;
FIG. 6 is a bottom plan view thereof; and
FIG. 7 is a rear elevational view thereof.



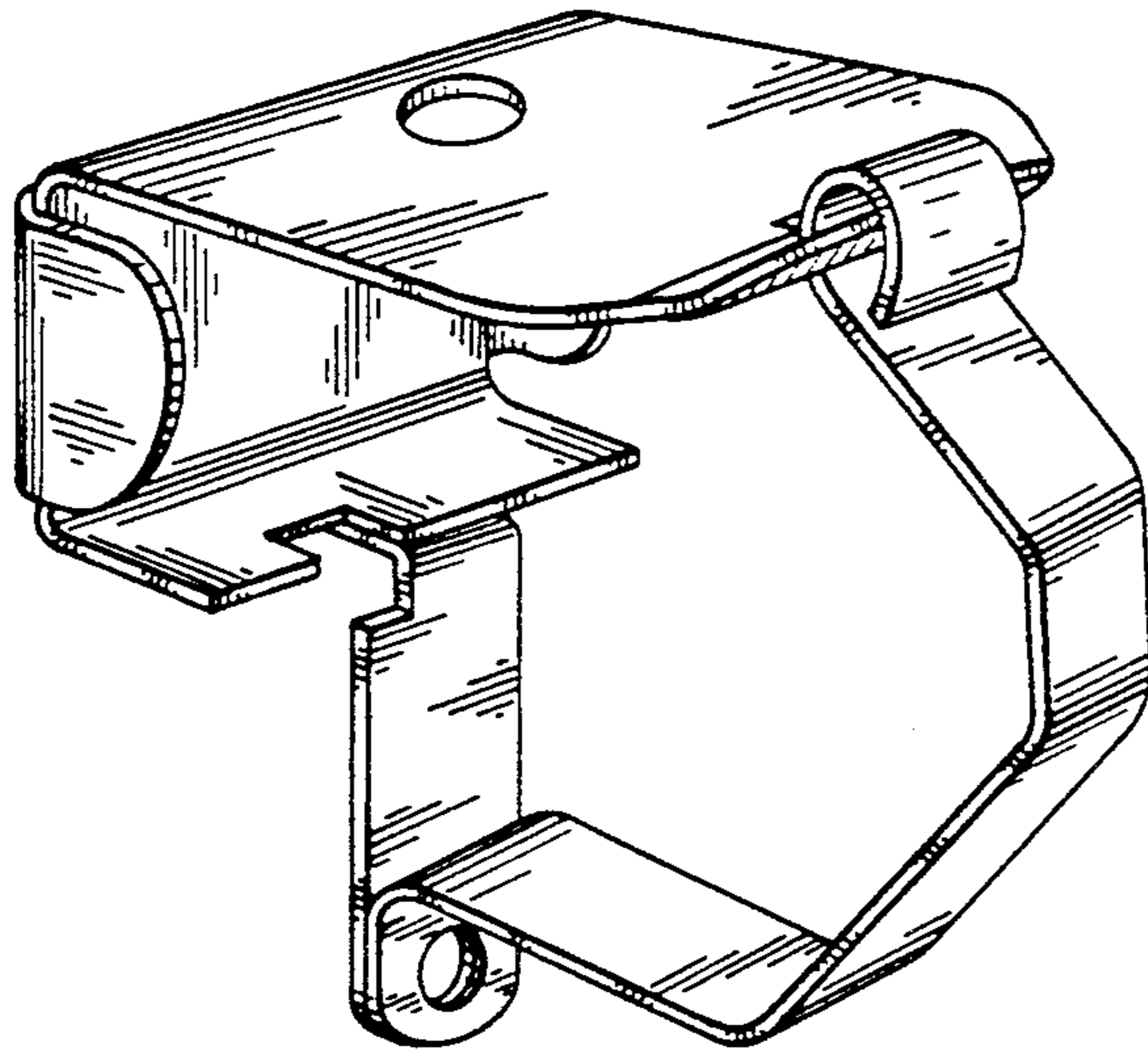


Fig. 1

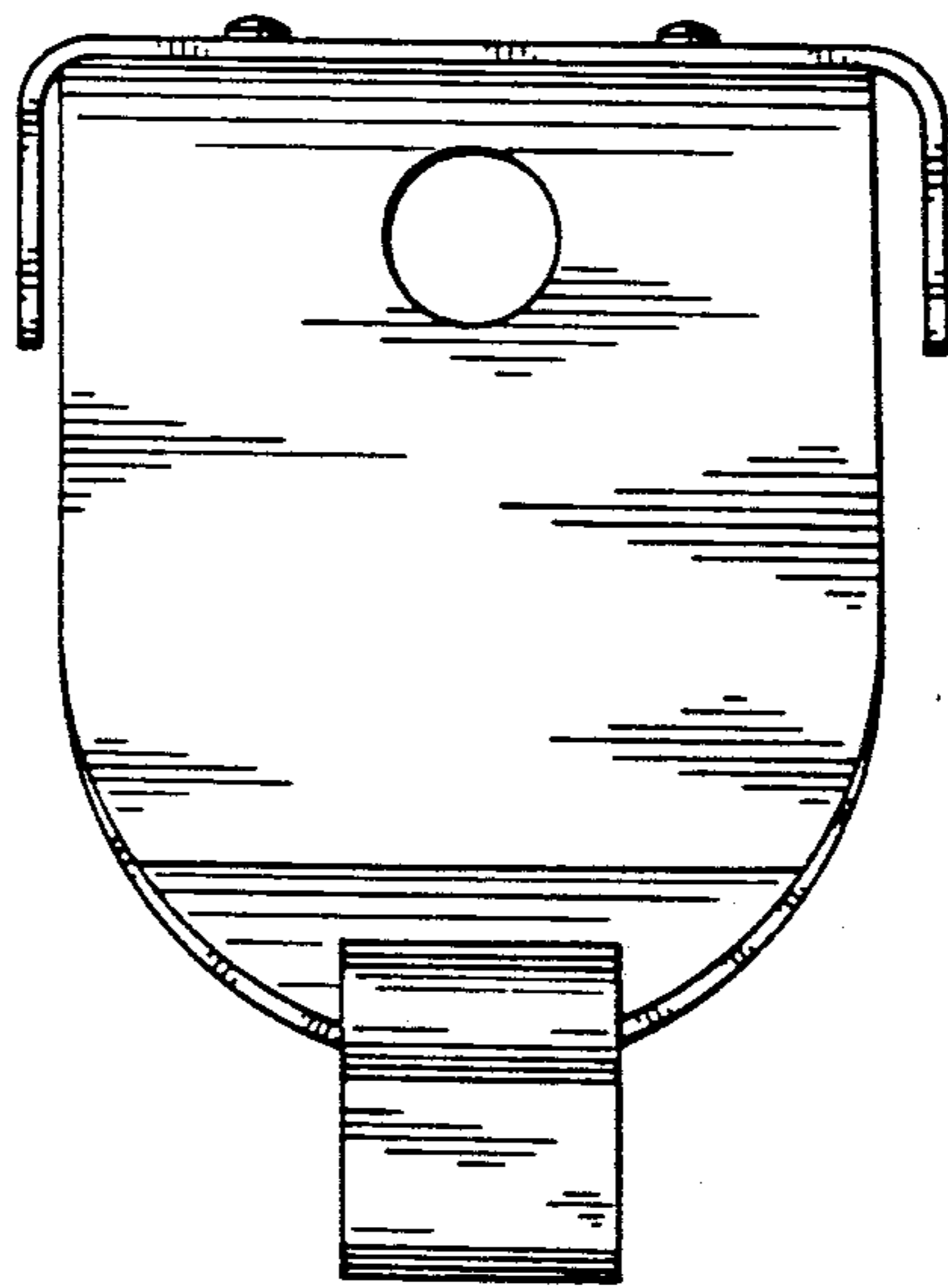


Fig. 2

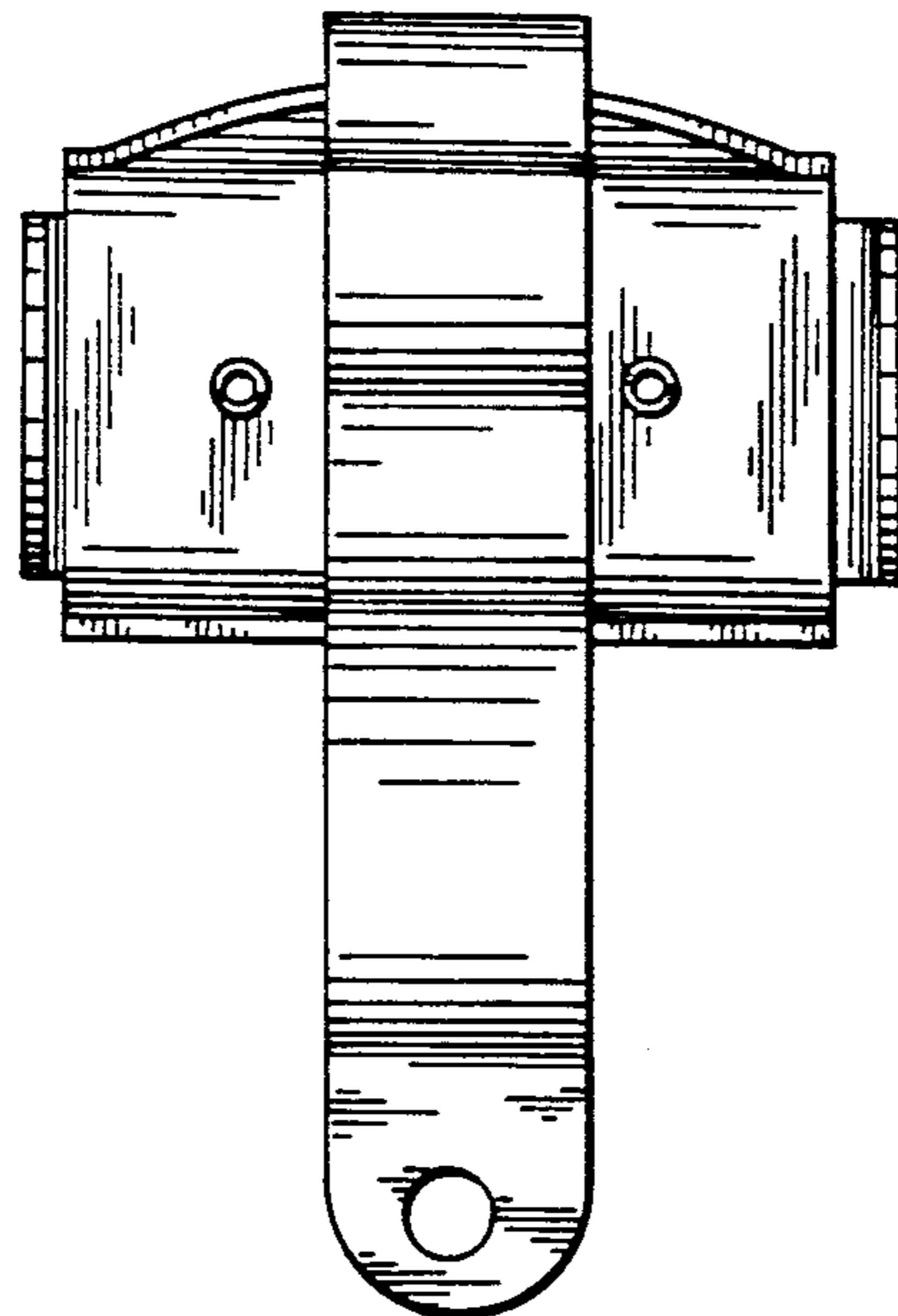


Fig. 3

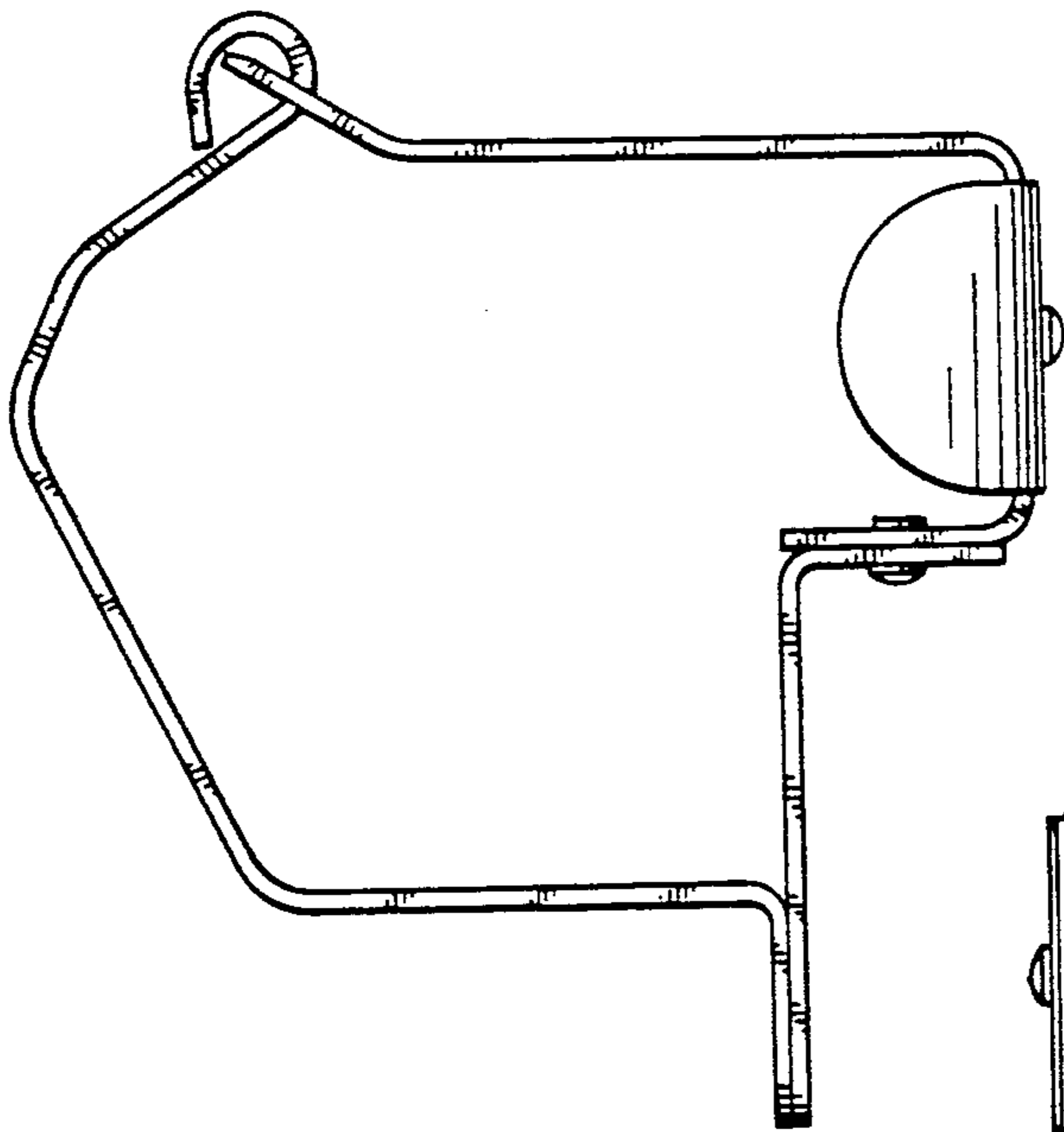


Fig. 4

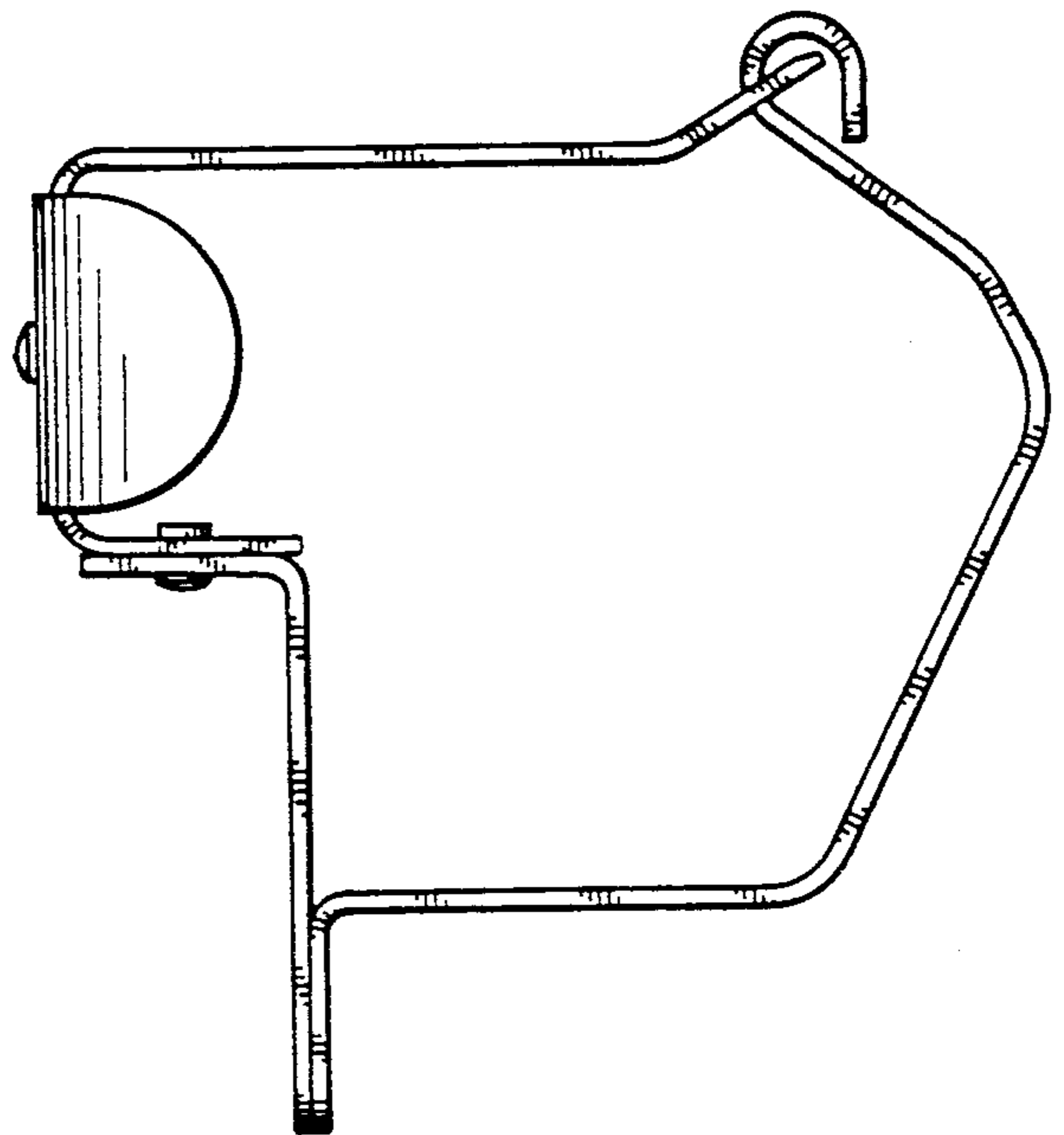


Fig. 5

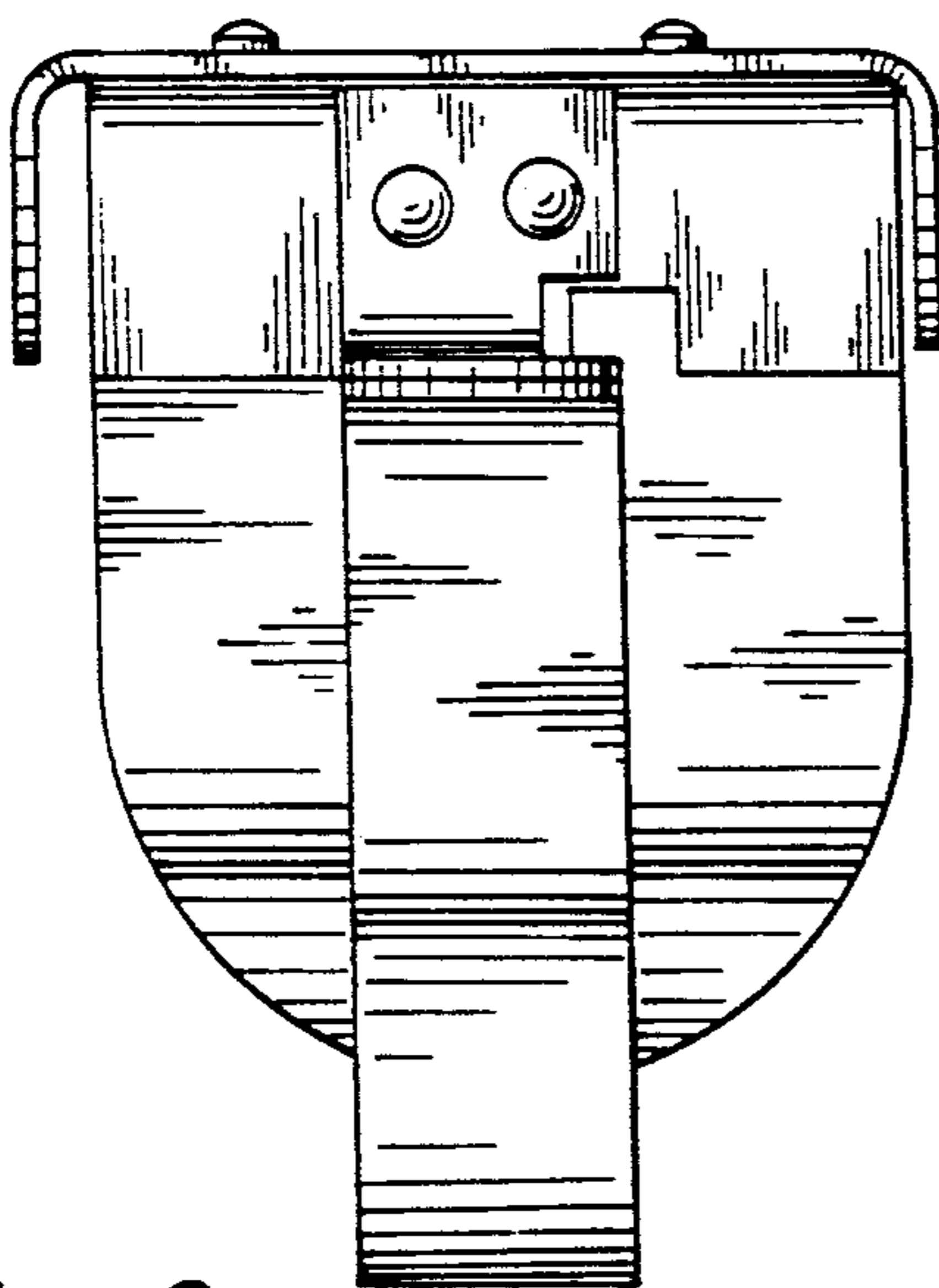


Fig. 6

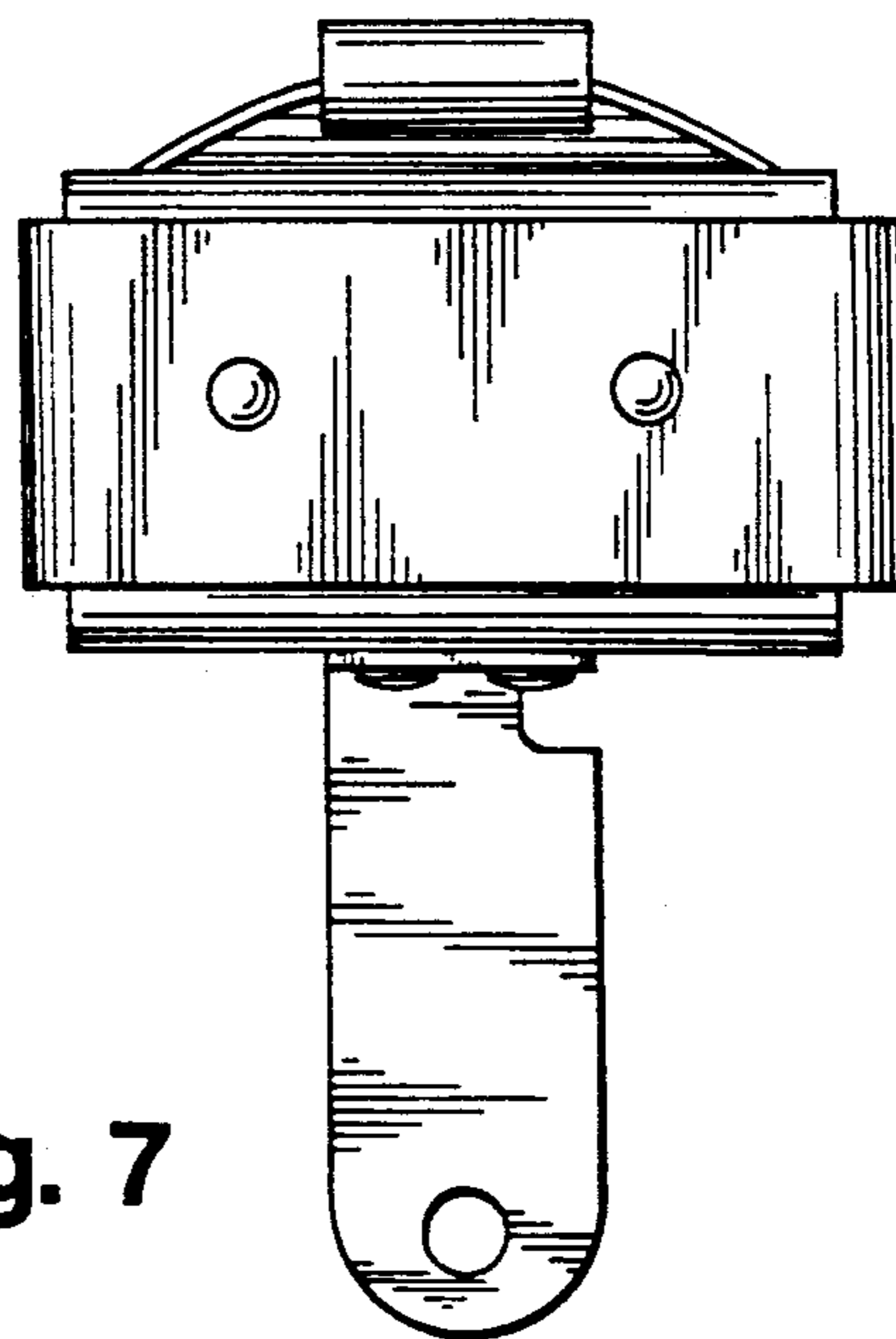


Fig. 7