

[54] **ILLUMINABLE DOOR LATCH ALARM**

[76] **Inventor: Arthur R. Keller, Rte. 1, Box 79,
Toms Brook, Va. 22660**

[**] **Term: 14 Years**

[21] **Appl. No.: 362,325**

[22] **Filed: Jun. 6, 1989**

[52] **U.S. Cl. D8/332; D10/104;
D8/343**

[58] **Field of Search D10/104, 105, 106;
200/61.39, 61.45, 61.46, 61.52, 61.93; 340/274,
276, 542, 545, 546, 547; 116/78 R; D8/331, 332,
343**

[56] **References Cited**

U.S. PATENT DOCUMENTS

3,378,830 4/1968 Patrick 340/546

3,704,460 11/1972 Frank 340/542
4,100,539 7/1978 Stahl et al. 340/546
4,625,265 11/1986 Bushong 116/28 R

Primary Examiner—Wallace R. Burke
Assistant Examiner—Marcus Jackson
Attorney, Agent, or Firm—Arthur L. Branning

[57] **CLAIM**

The ornamental design of an illuminable door latch alarm, as shown and described.

DESCRIPTION

FIG. 1 is a front perspective view of an illuminable door latch alarm showing my new design; with the undisclosed rear being plain and unornamented;
FIG. 2 is a top plan view thereof, with the bottom being a mirror image;
FIG. 3 is a perspective view thereof, with the broken lines showing for illustrative purposes only and forming no part of the claimed design.

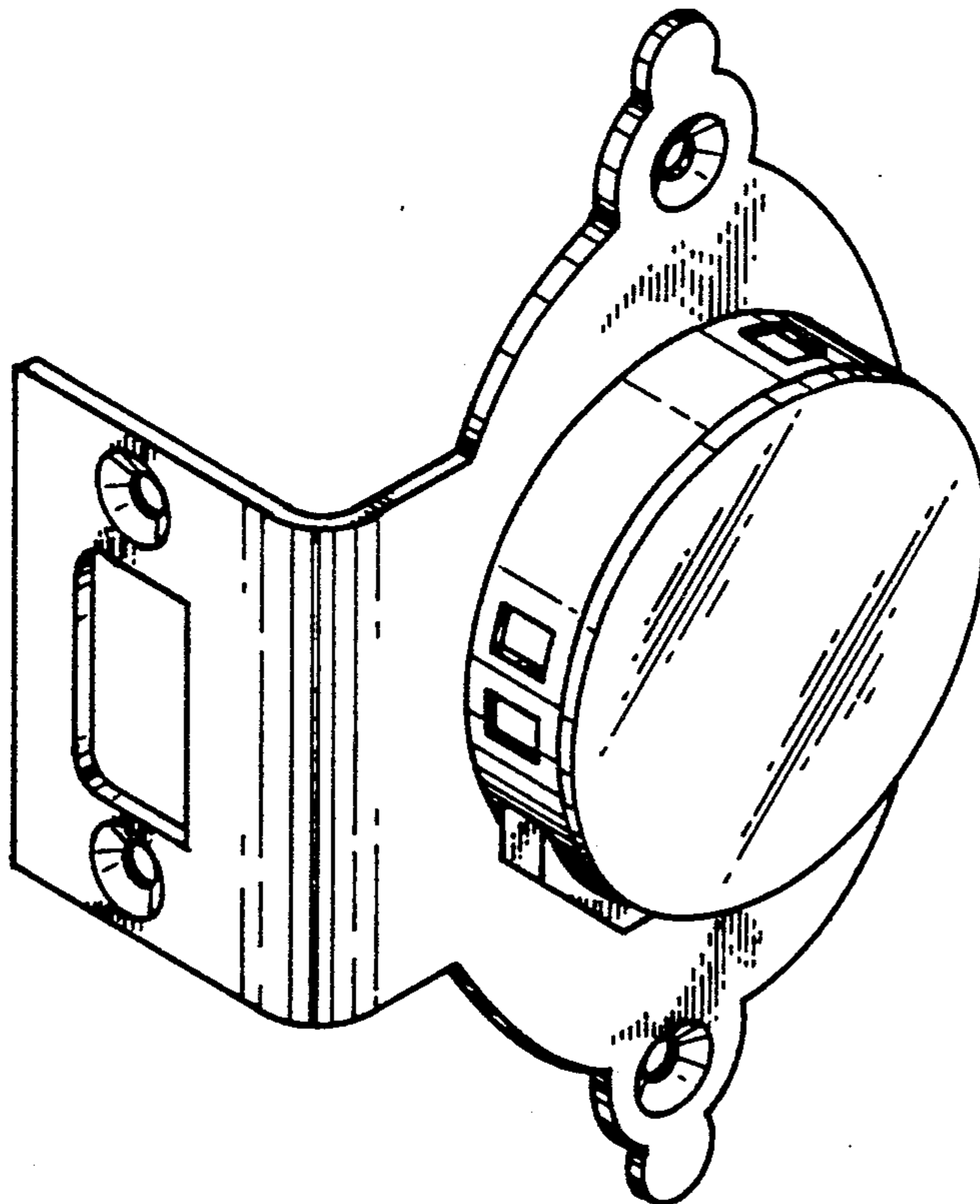


FIG. 1

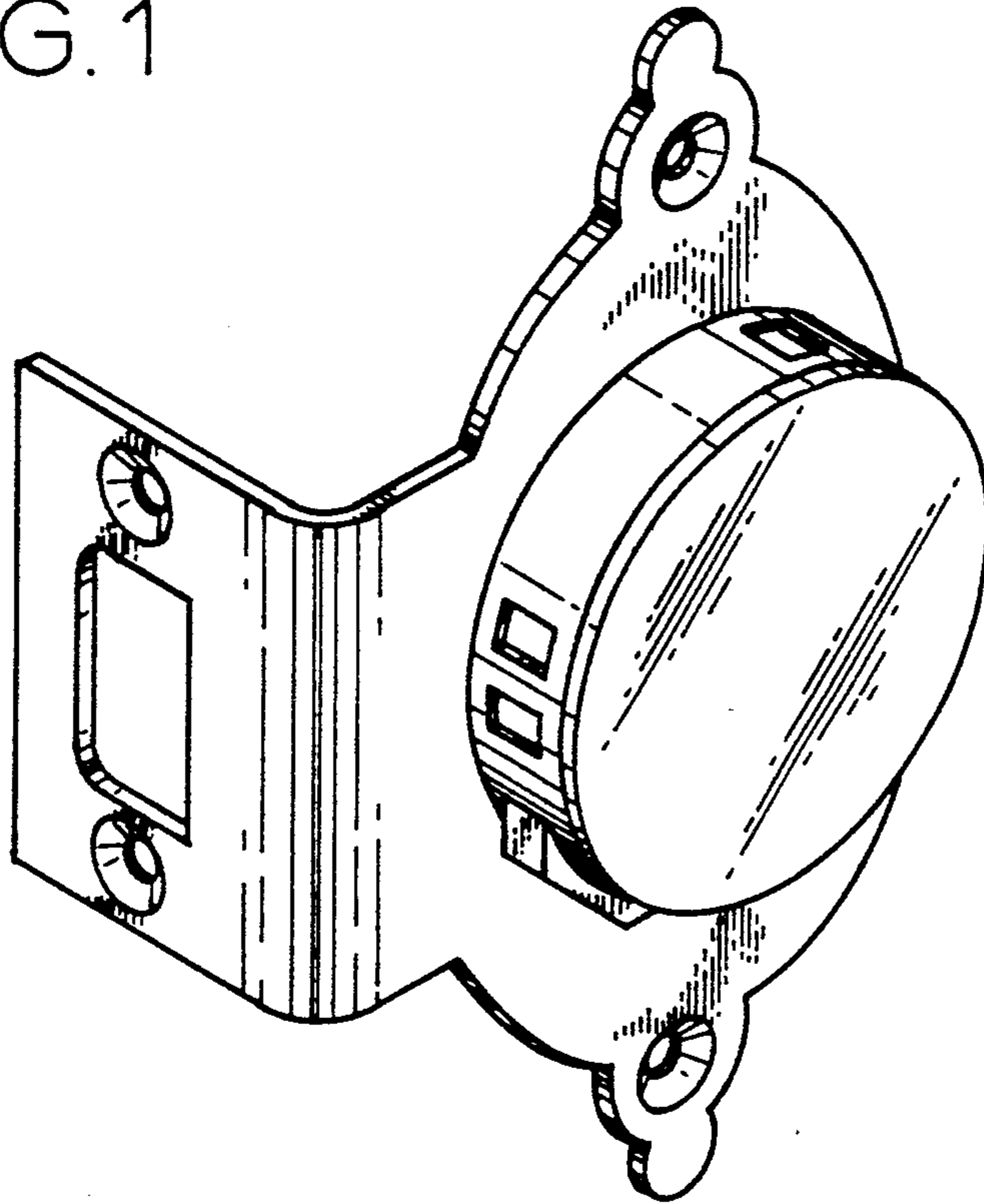
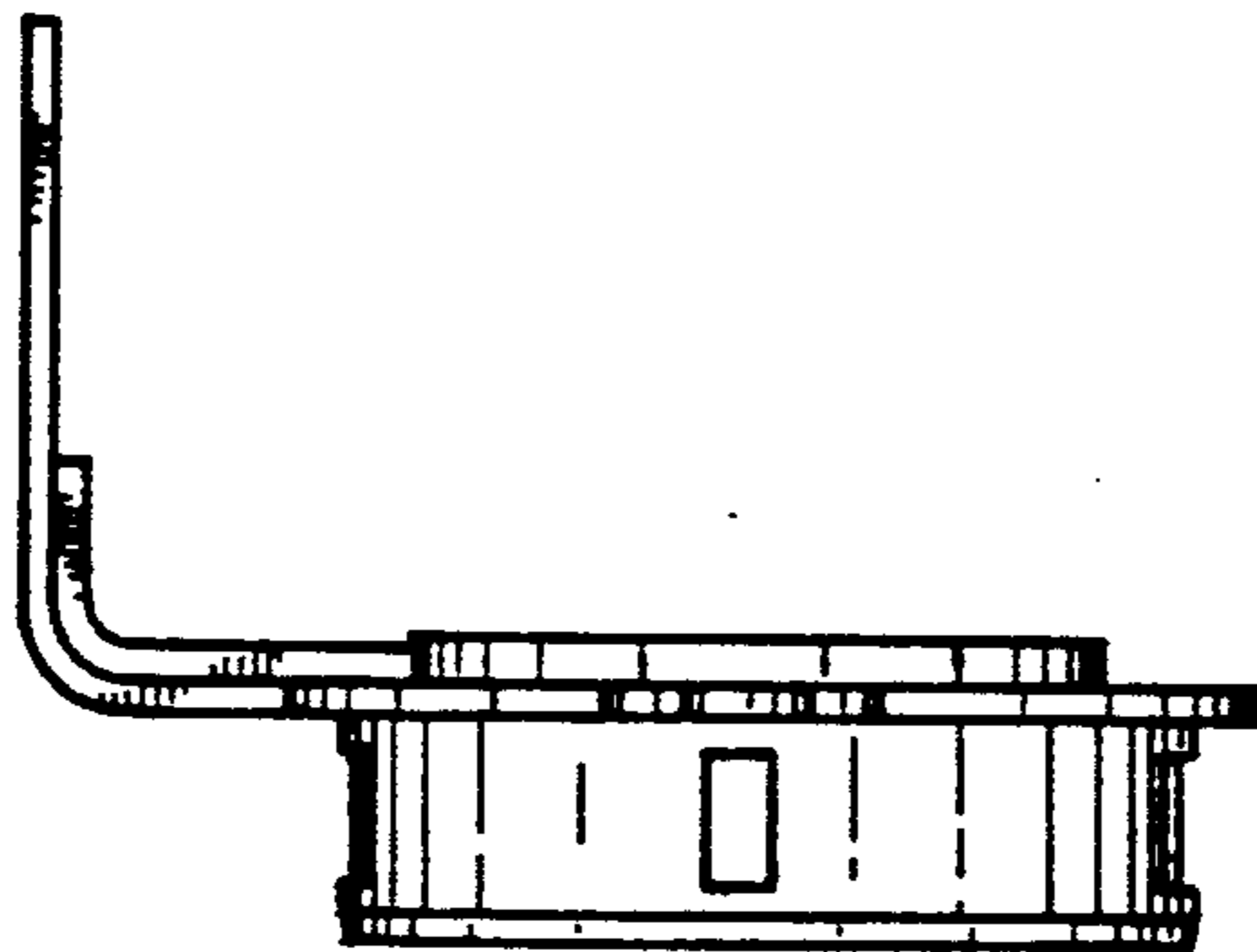


FIG. 2



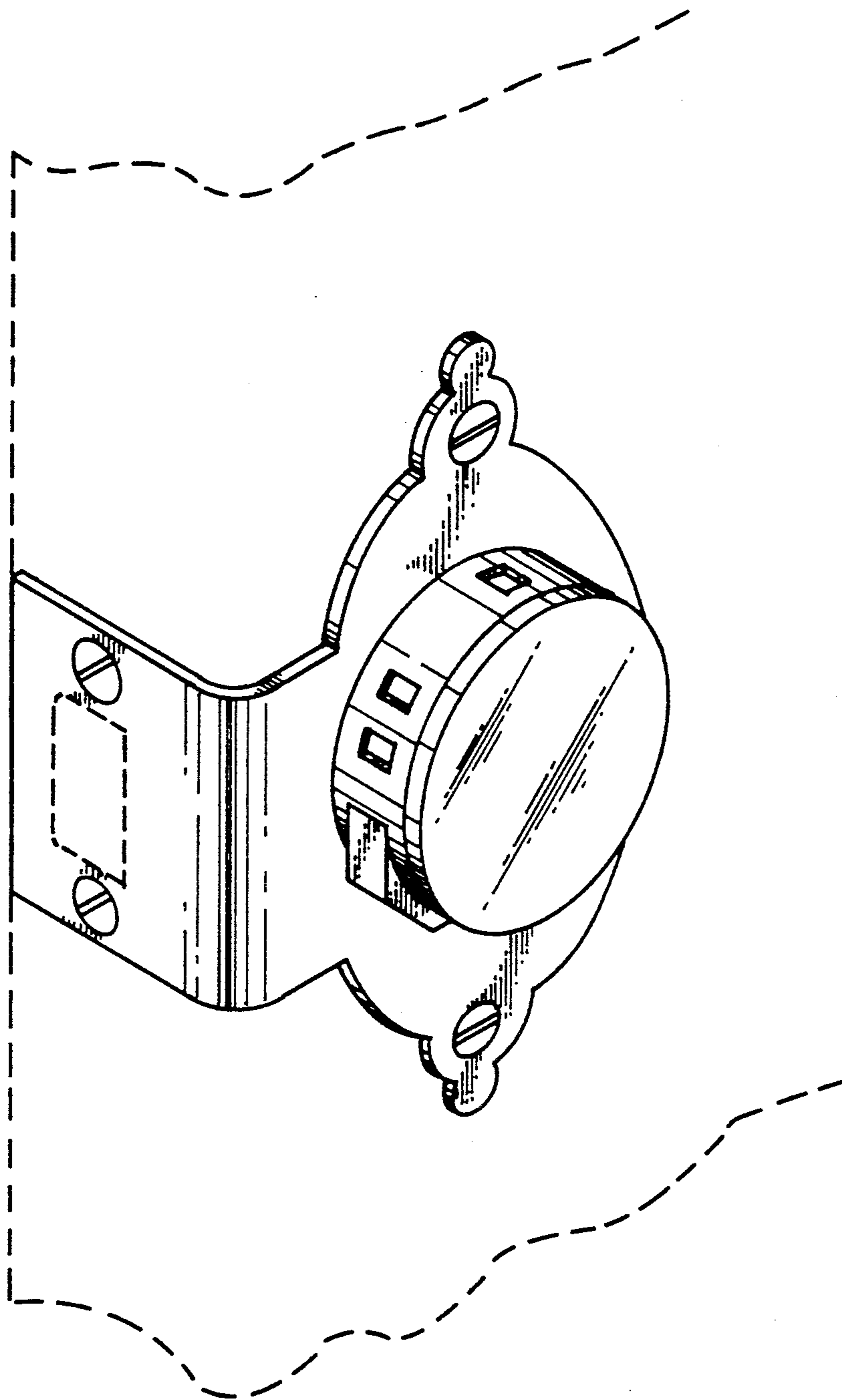


FIG. 3