

[54] HOT AIR BLOWER

[75] Inventor: Robin H. Spratt, Wallsend, United Kingdom

[73] Assignee: Black & Decker, Inc., Newark, Del.

[**] Term: 14 Years

[21] Appl. No.: 368,426

[22] Filed: Jun. 19, 1989

[30] Foreign Application Priority Data

Dec. 23, 1988 [GB] United Kingdom 1055934

[52] U.S. Cl. D8/29.1; D28/13

[58] Field of Search D28/13, 54.1; D8/29.1; D20/29; D23/332, 335; 219/222; 392/383, 384, 385, 379; 34/96, 97

[56] References Cited

U.S. PATENT DOCUMENTS

- D. 250,722 1/1979 Cousin et al. D28/13
- D. 280,338 8/1985 Skarsten D28/13
- D. 293,020 12/1987 Steinel et al. D23/332
- D. 296,070 6/1988 Cunningham D8/29.1

- D. 297,397 8/1988 Pagani D8/29.1
- 4,198,558 4/1980 Benty 392/384
- 4,977,306 12/1990 Kosaka et al. 34/96

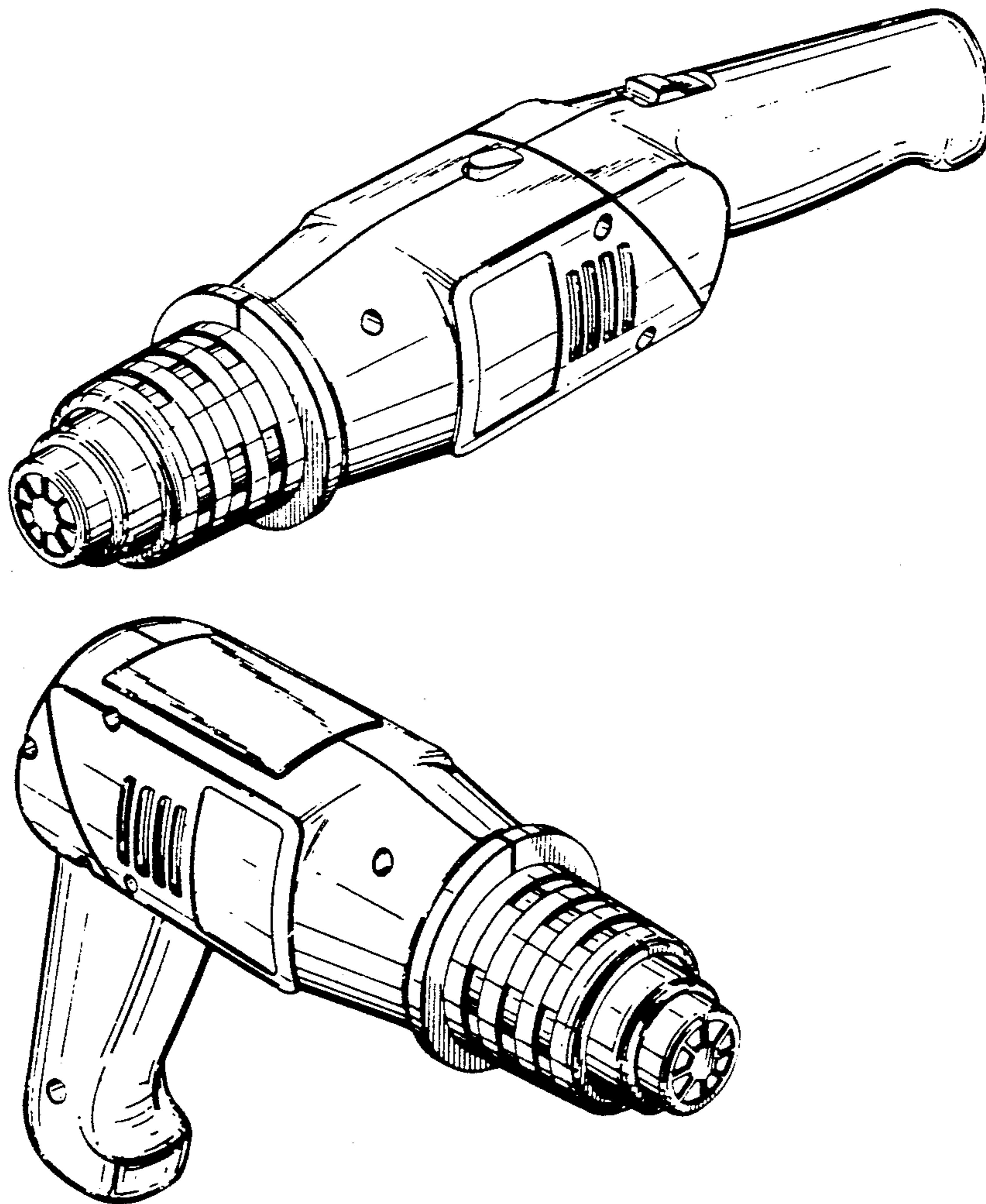
Primary Examiner—Nelson C. Holtje
Assistant Examiner—J. H. Musgrove
Attorney, Agent, or Firm—Dennis A. Dearing; Charles E. Yocum; Edward D. C. Bartlett

[57] CLAIM

The ornamental design for a hot air blower, as shown and described.

DESCRIPTION

FIG. 1 is a front top right-side perspective view of a hot air blower showing my new design; FIG. 2 is a front top left-side perspective view showing the handle in an alternate position; FIG. 3 is a left side elevational view; FIG. 4 is a right side elevational view; FIG. 5 is a top plan view; FIG. 6 is a bottom plan view; FIG. 7 is a front elevational view; FIG. 8 is a rear elevational view; and FIG. 9 is a left side elevational view showing the handle in an alternate position.



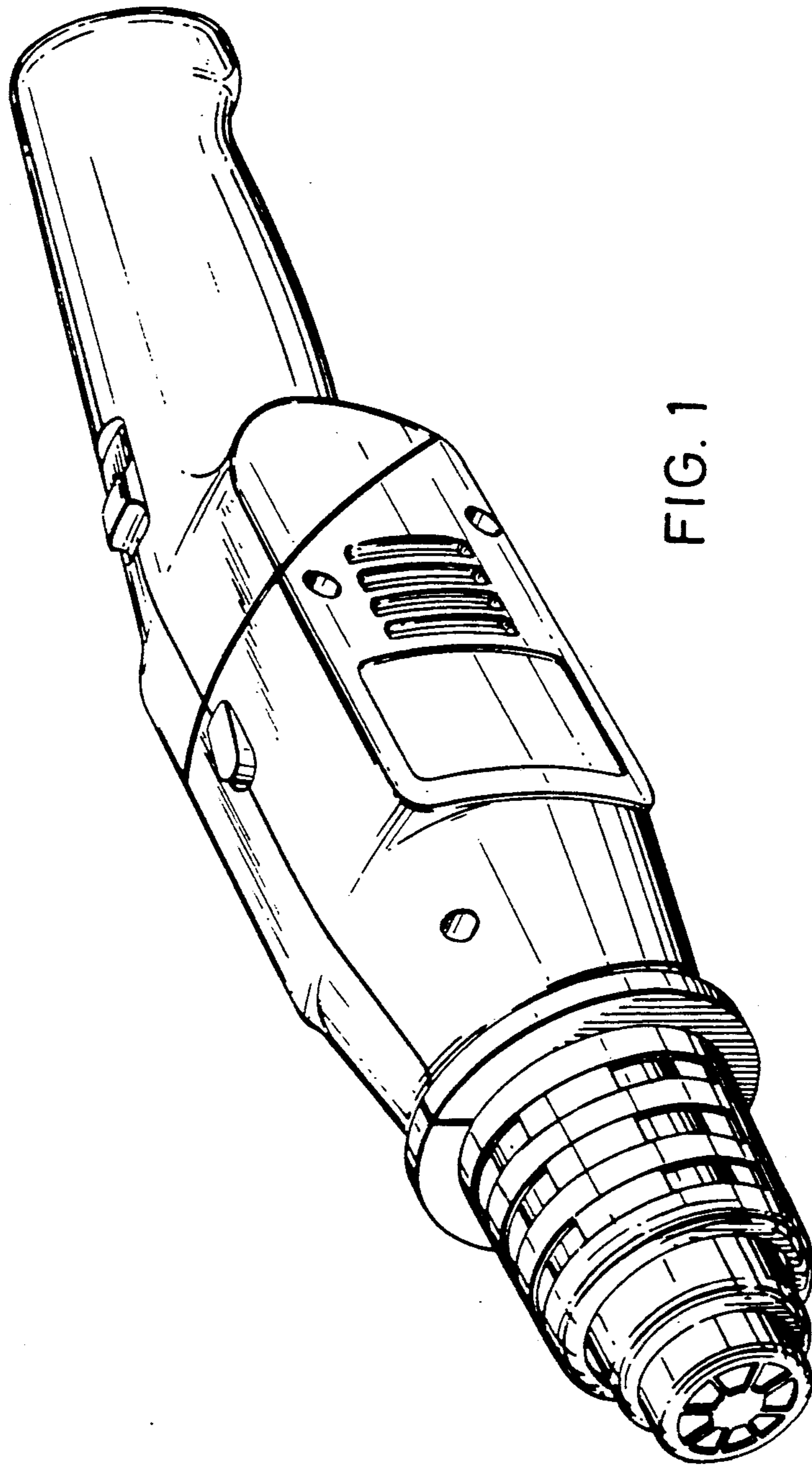
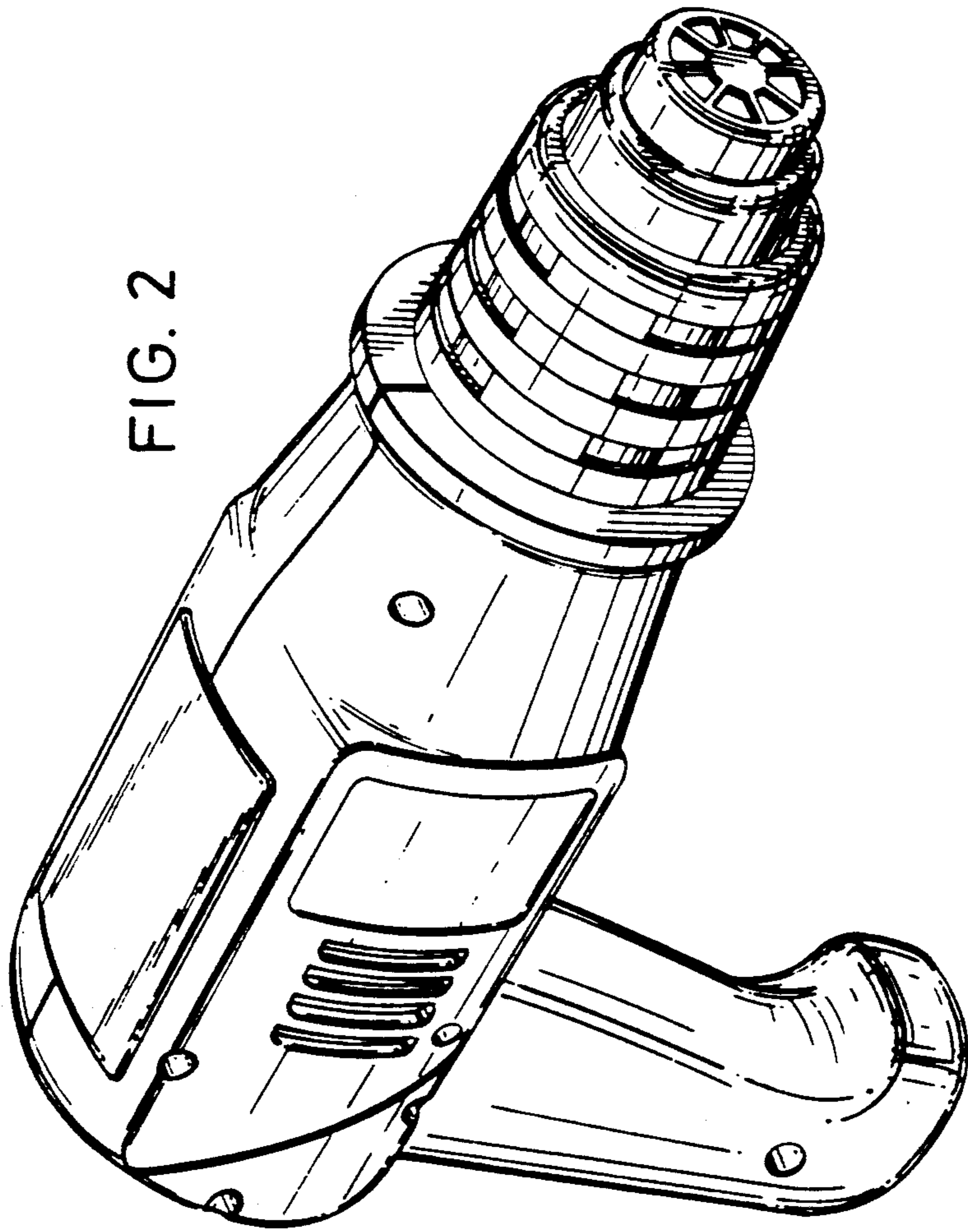


FIG. 1

FIG. 2



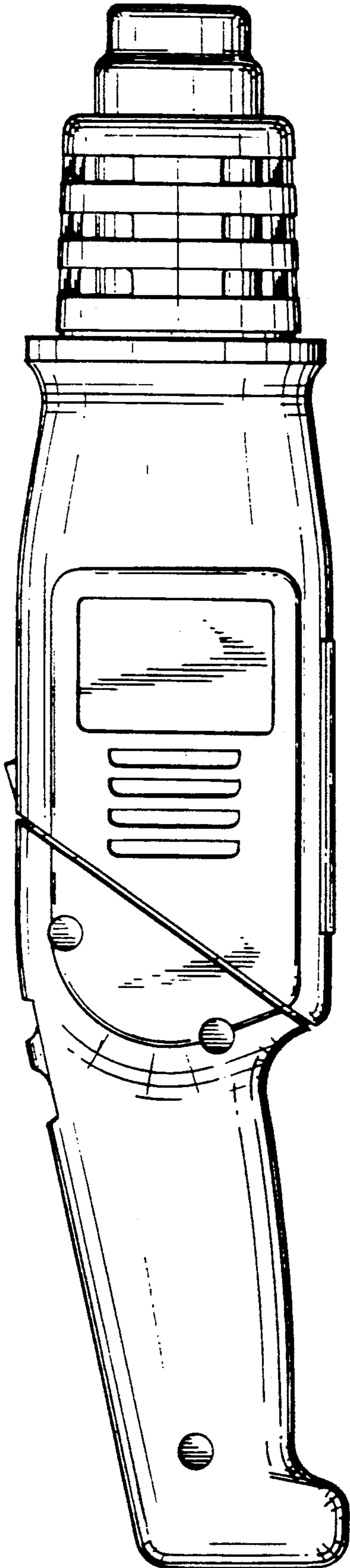


FIG. 3

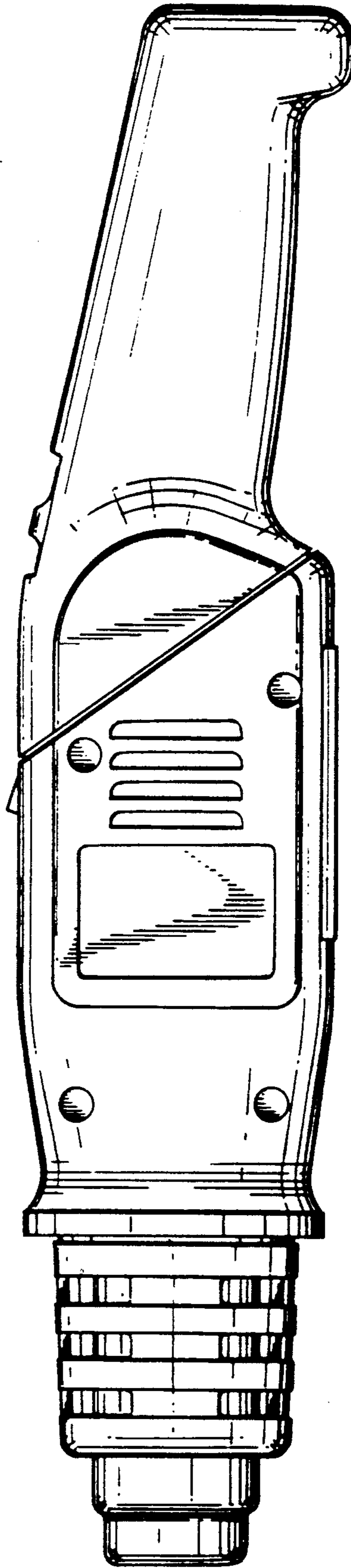


FIG. 4

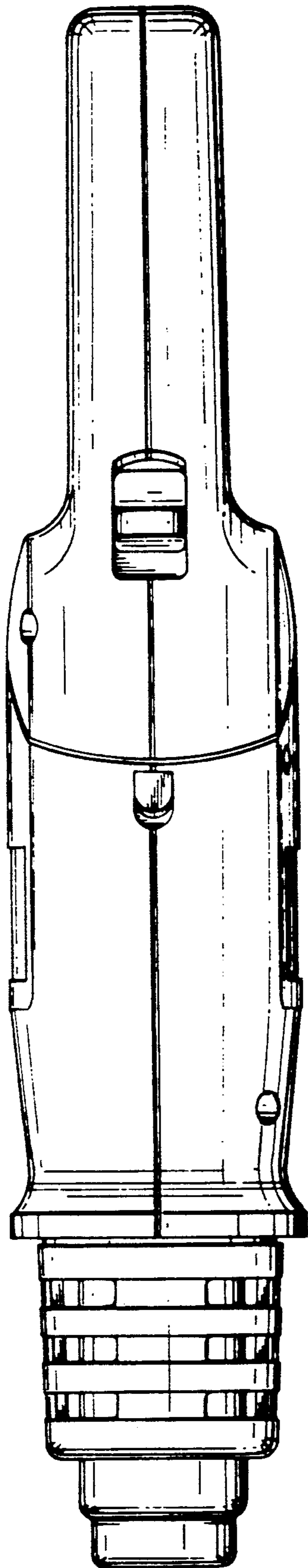


FIG. 5

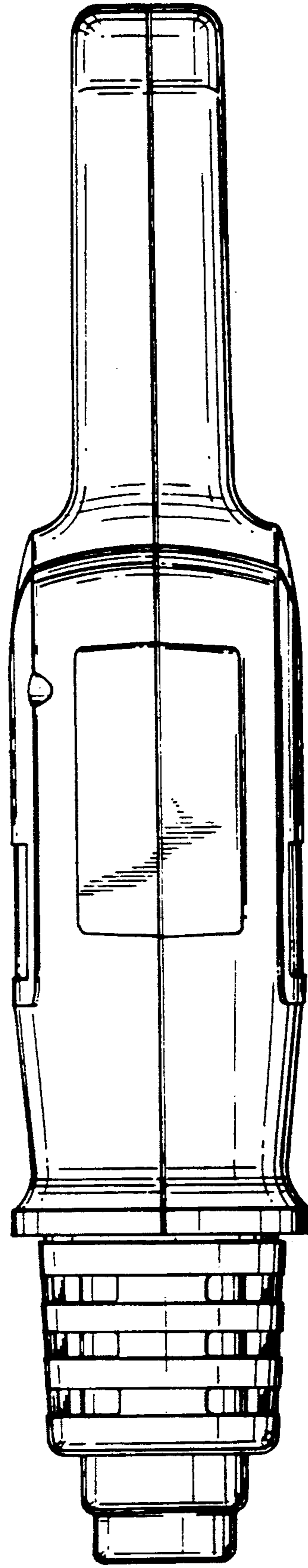


FIG. 6

FIG. 7

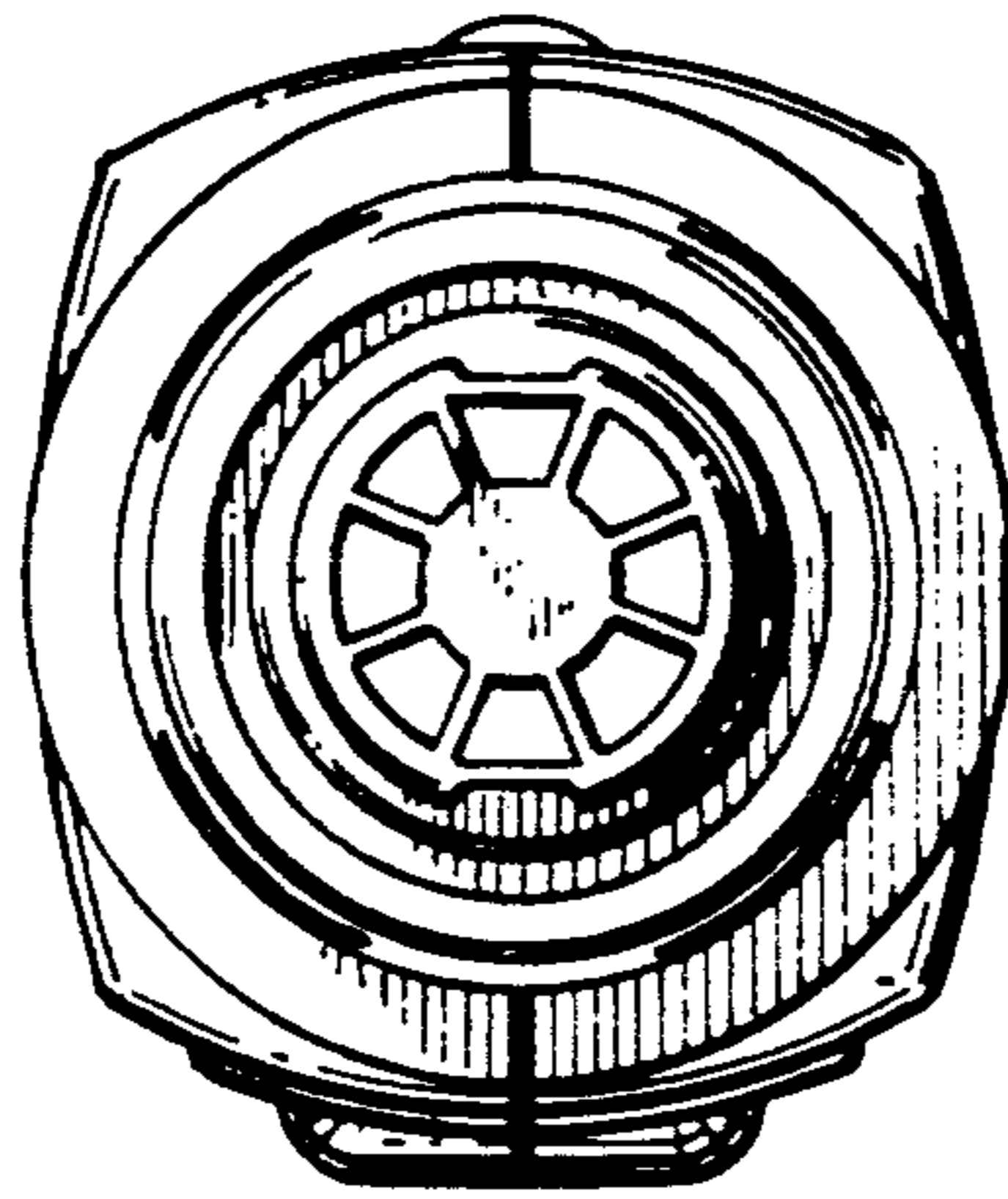
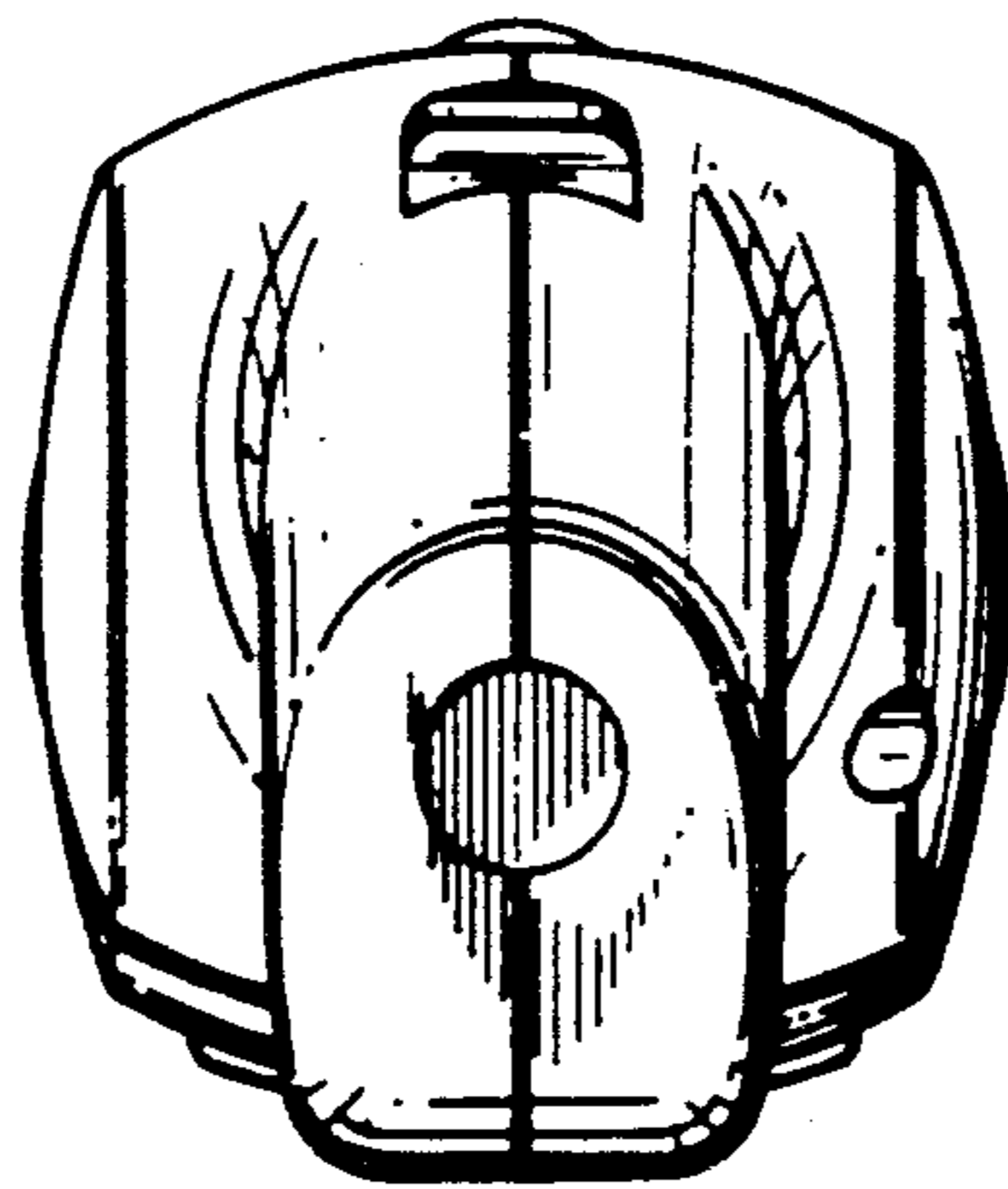


FIG. 8



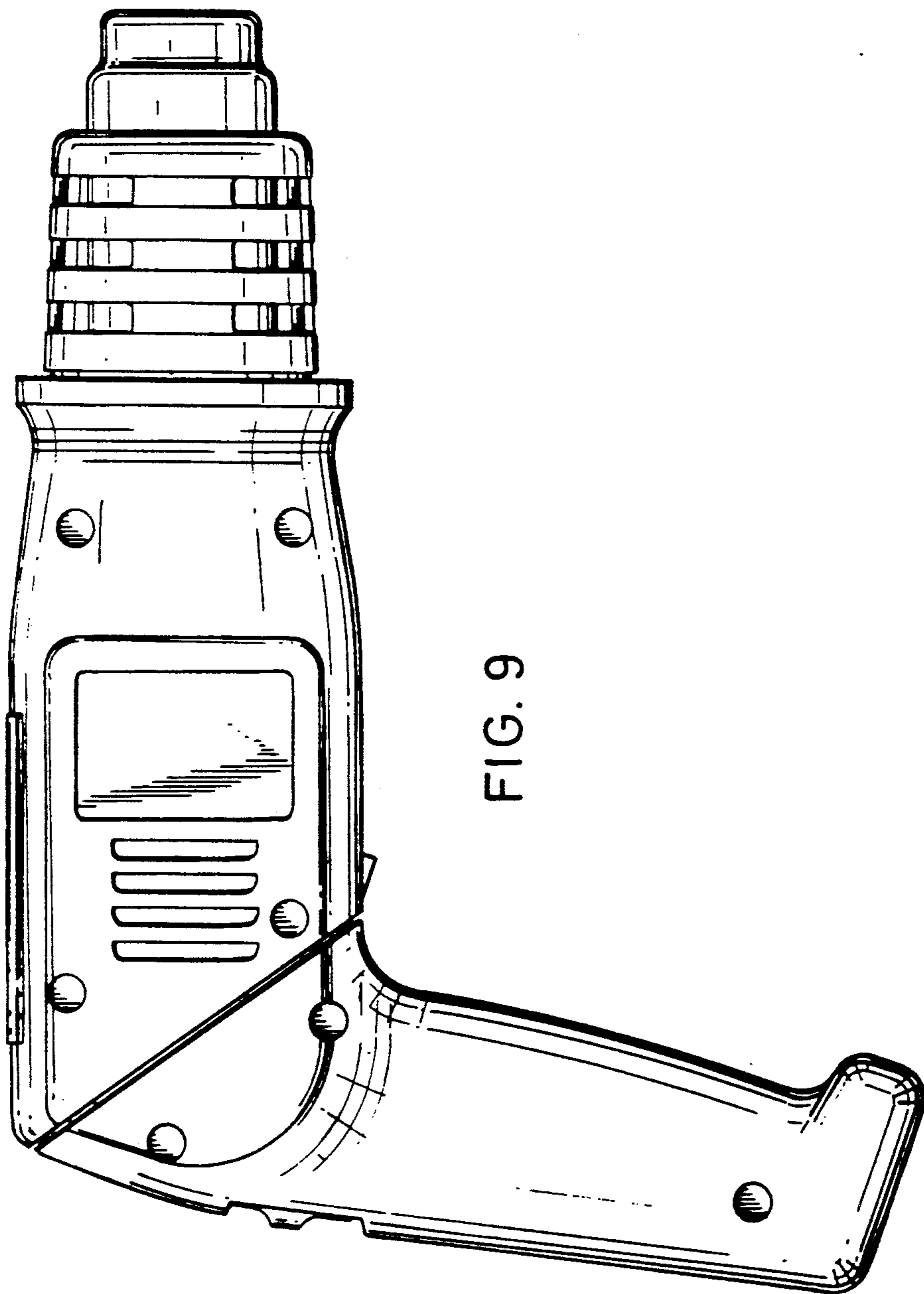


FIG. 9