

[54] **SOAP DISH**  
 [75] **Inventor: Rik Cuttriss, Filmore, Calif.**  
 [73] **Assignee: Gruber Systems, Inc., Valencia, Calif.**  
 [\*\*] **Term: 14 Years**  
 [21] **Appl. No.: 463,969**  
 [22] **Filed: Jan. 12, 1990**  
 [52] **U.S. Cl. .... D6/540**  
 [58] **Field of Search .... D6/524, 532-533,  
 D6/536-540; 211/13-14, 86-88, 126, 134;  
 312/242**

2,577,011 12/1951 Hallenscheid ..... 312/242  
 3,054,212 9/1962 Morris ..... D6/540 X

*Primary Examiner*—Brian N. Vinson  
*Attorney, Agent, or Firm*—Poms, Smith, Lande & Rose

[57] **CLAIM**

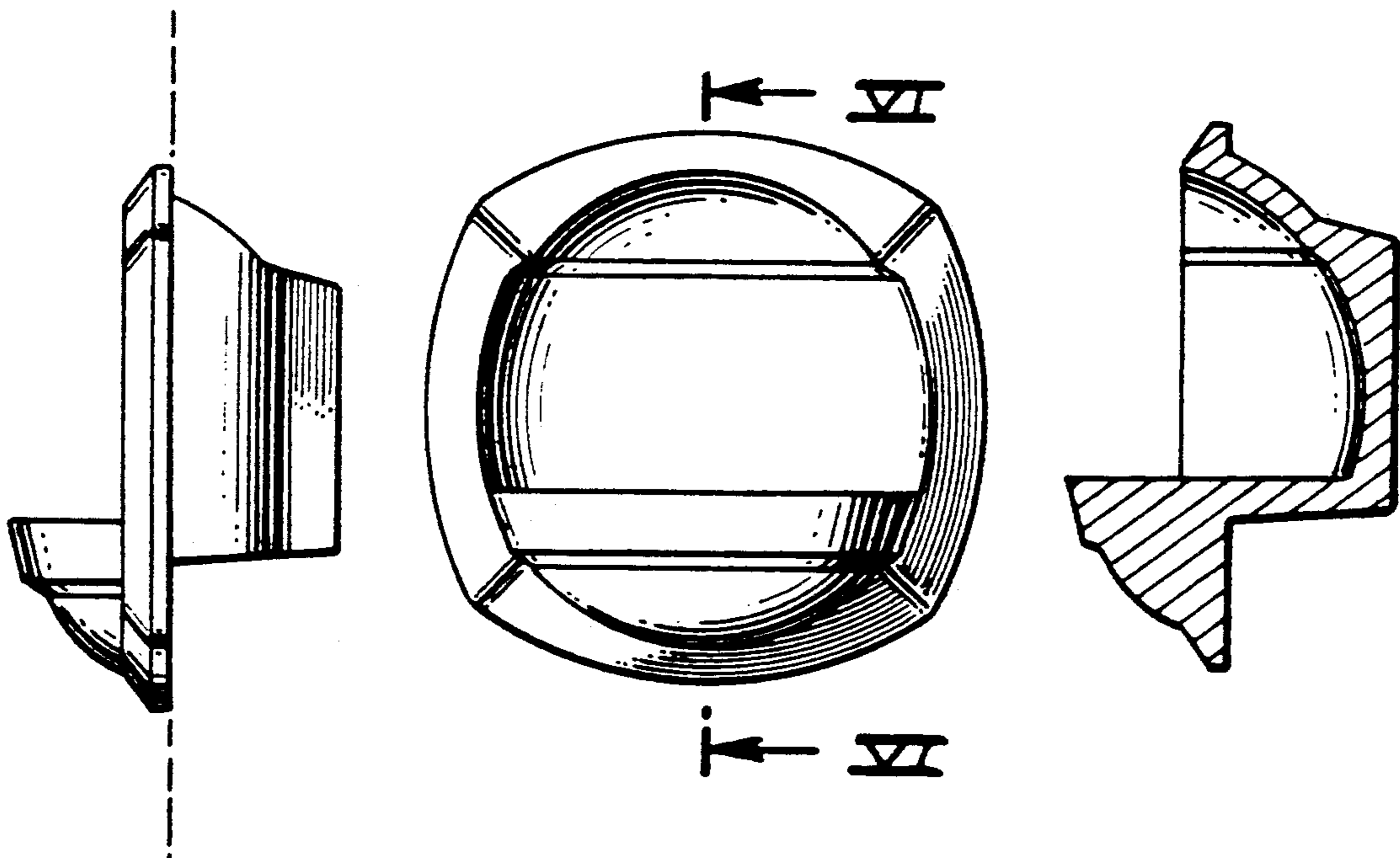
The ornamental design for a soap dish, as shown and described.

**DESCRIPTION**

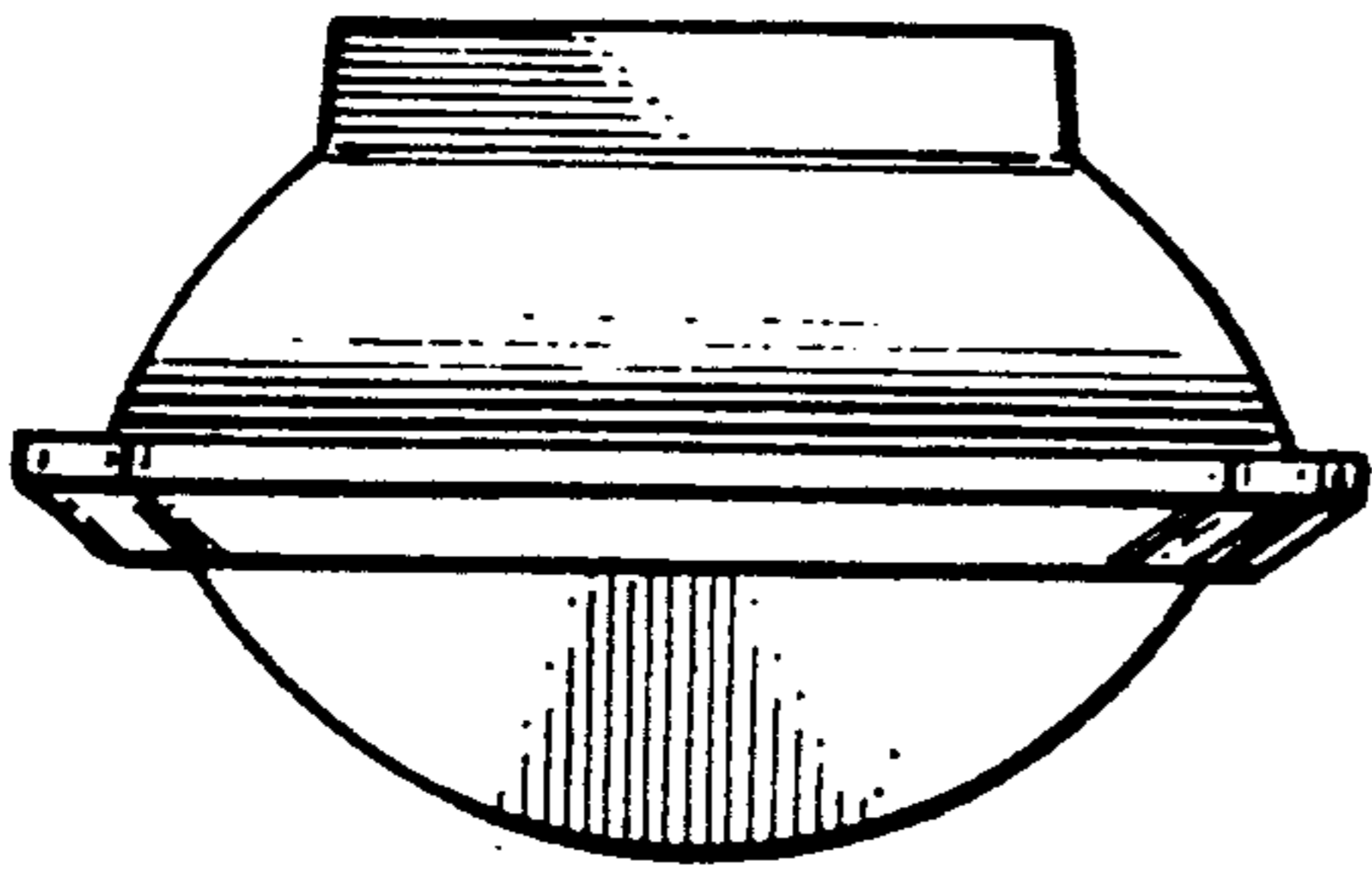
FIG. 1 is a right side elevational view of a soap dish showing my new design, the left side being a mirror image and the broken-line depiction of a portion of the wall being for illustrative purposes only and forming no part of the claimed design;  
 FIG. 2 is a top plan view thereof;  
 FIG. 3 is a front elevational view thereof;  
 FIG. 4 is a rear elevational view thereof;  
 FIG. 5 is a bottom plan view thereof; and  
 FIG. 6 is a vertical cross-sectional view thereof, taken along line VI—VI of FIG. 3.

[56] **References Cited**  
**U.S. PATENT DOCUMENTS**

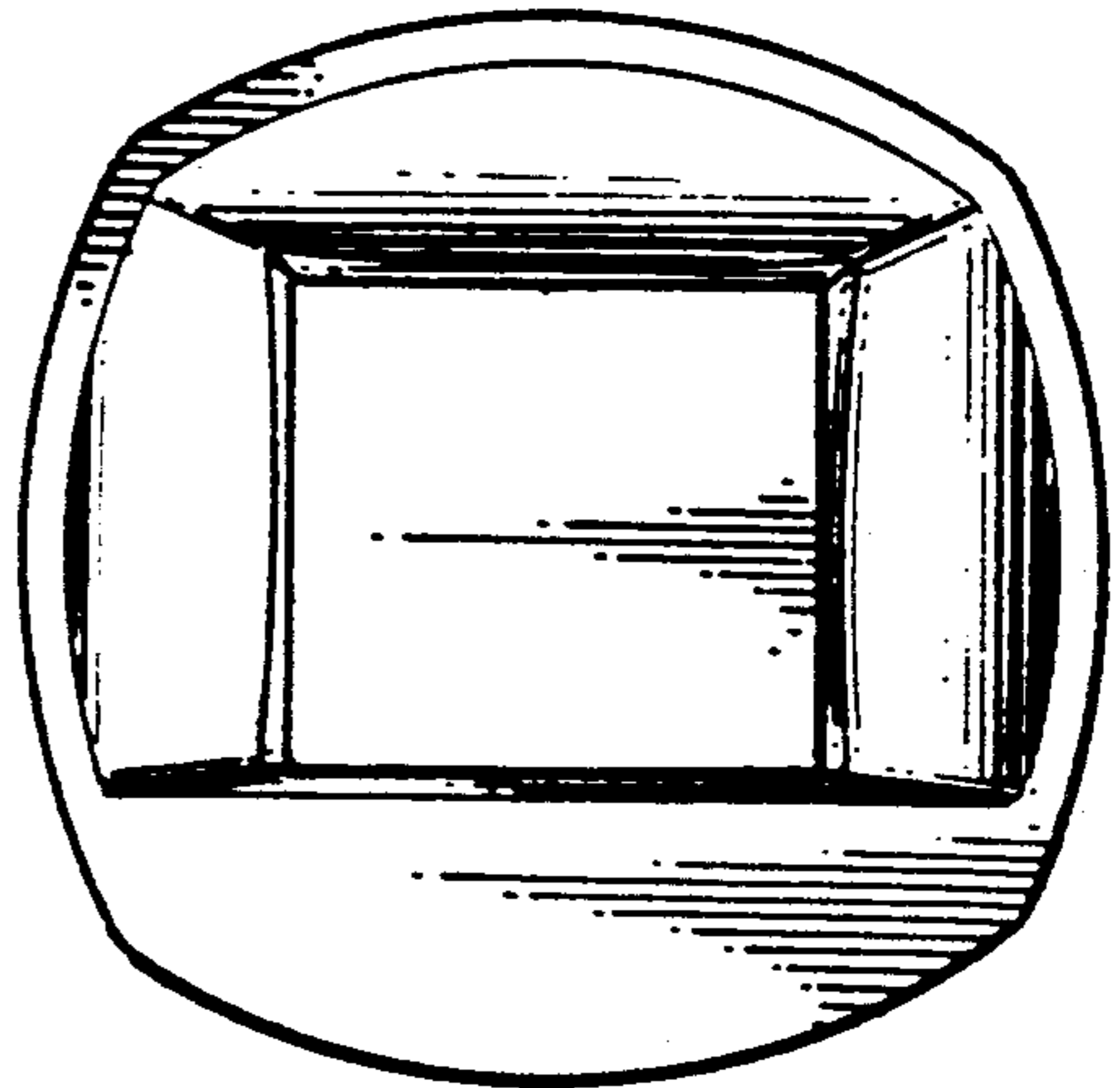
D. 67,601	6/1925	Jordan	.....	D6/533
D. 132,249	5/1942	Dreyfuss	.....	D6/540
D. 186,810	12/1959	Smith	.....	D6/533
D. 187,455	3/1960	Bonistall	.....	D6/533



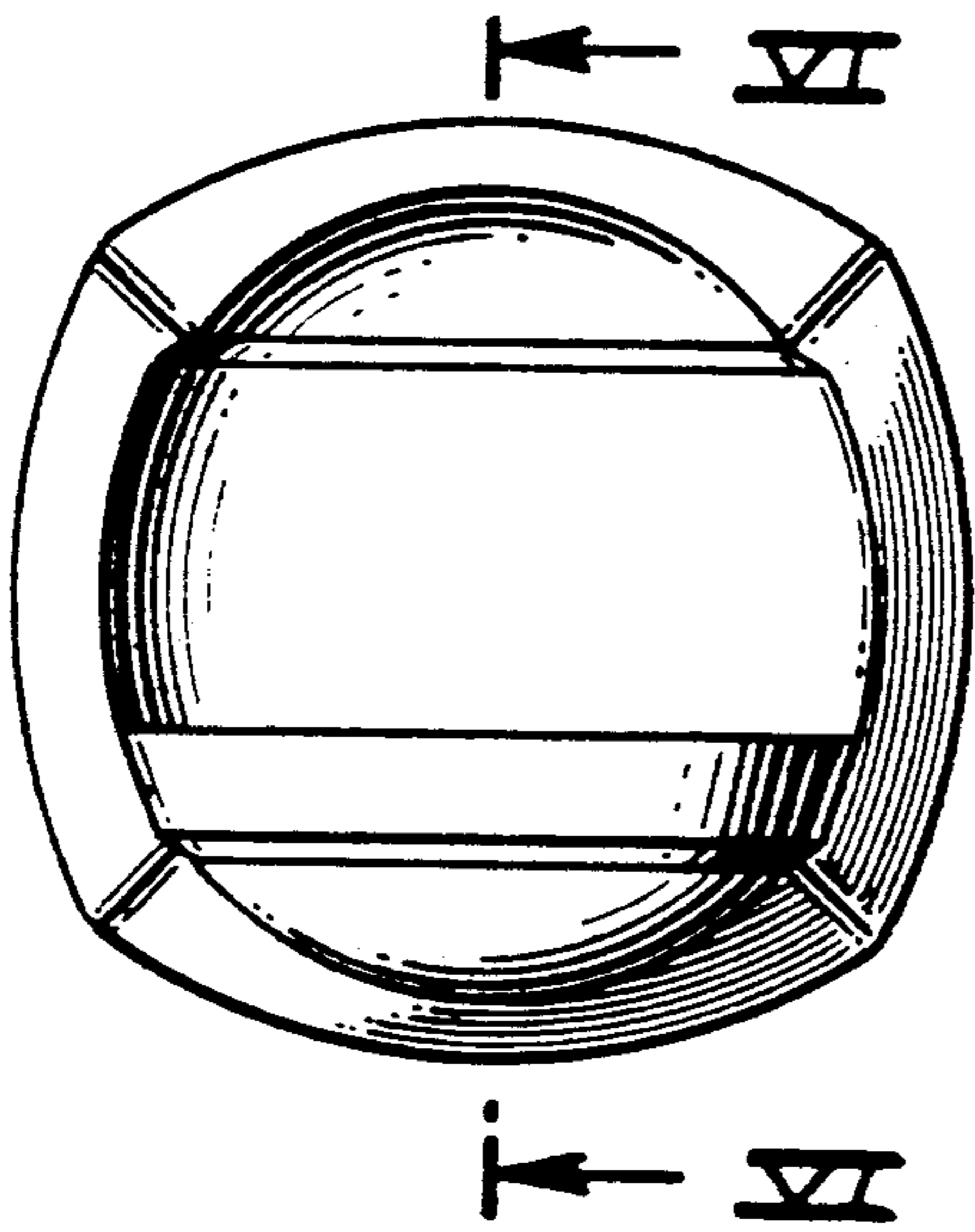
*Fig. 2.*



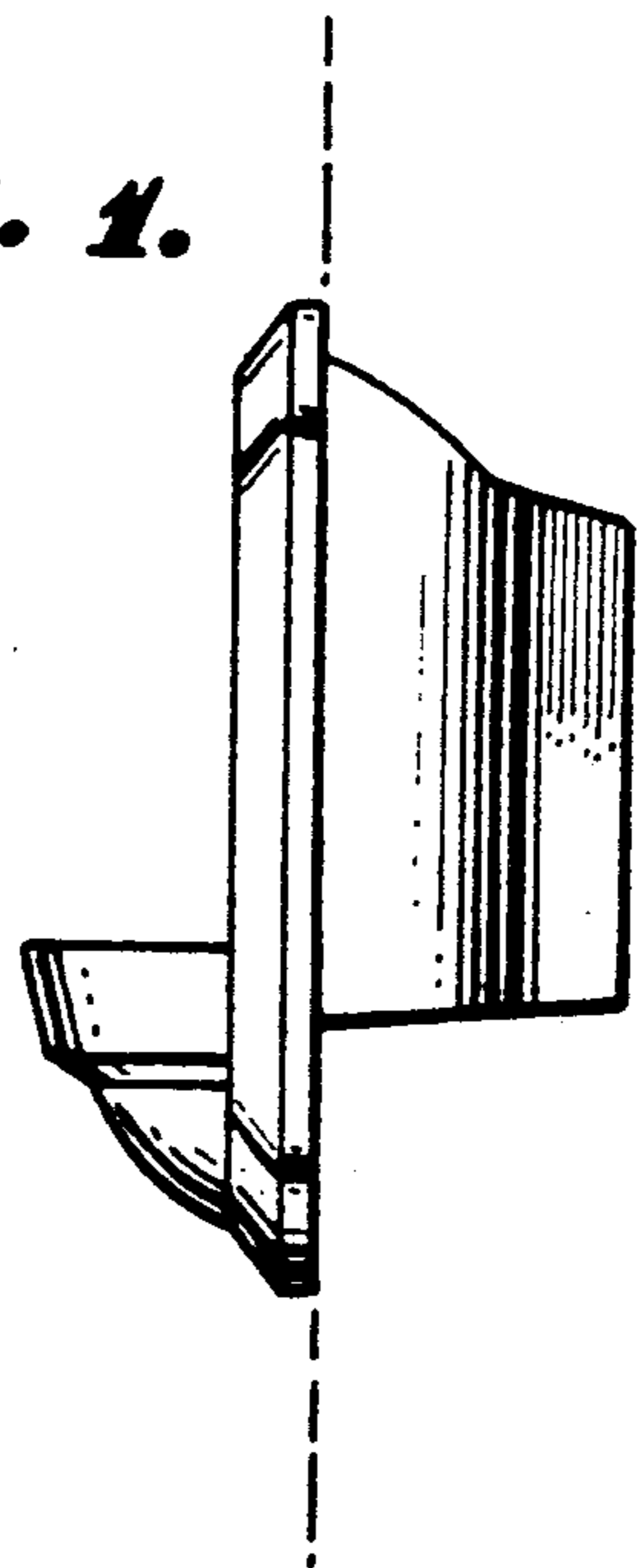
*Fig. 4.*



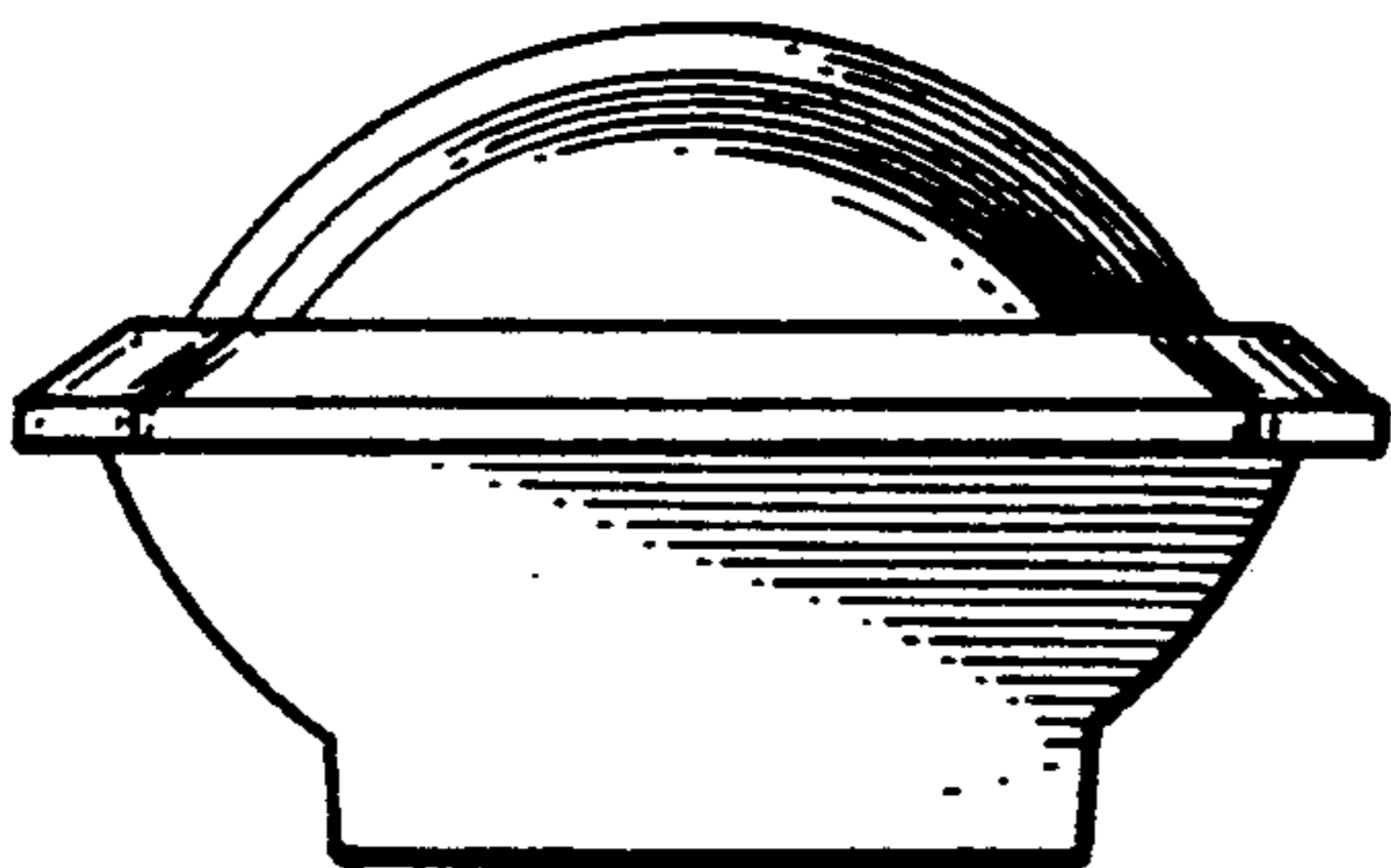
*Fig. 3.*



*Fig. 1.*



*Fig. 5.*



*Fig. 6.*

