

United States Patent [19]

Willie

[11] Patent Number: **Des. 322,731**

[45] Date of Patent: **** Dec. 31, 1991**

[54] **ORGANIZER FOR COSMETIC ARTICLES AND THE LIKE**

[76] Inventor: **Janet A. Willie**, 1226 Park La., Texas City, Tex. 77590

[**] Term: **14 Years**

[21] Appl. No.: **383,575**

[22] Filed: **Jul. 24, 1989**

[52] U.S. Cl. **D6/524; D28/73**

[58] Field of Search **D6/524-525, D6/527, 574; D19/77-80, 95; D28/73, 99; 108/25-26; 206/1.7, 6.1, 426, 557, 562, 563, 566**

[56] **References Cited**

U.S. PATENT DOCUMENTS

D. 117,401 10/1939 Long, Jr. et al. D28/73
D. 134,295 11/1942 Steward D6/574

D. 148,374 1/1948 Malco D28/73
D. 173,818 1/1955 Rogers D19/79 X
D. 293,943 1/1988 Wadsworth et al. D6/553 X
4,472,843 9/1984 Chermak 4/559

Primary Examiner—Brian N. Vinson
Attorney, Agent, or Firm—Delmar L. Sroufe

[57] **CLAIM**

The ornamental design of an organizer for cosmetic articles and the like, as shown and described.

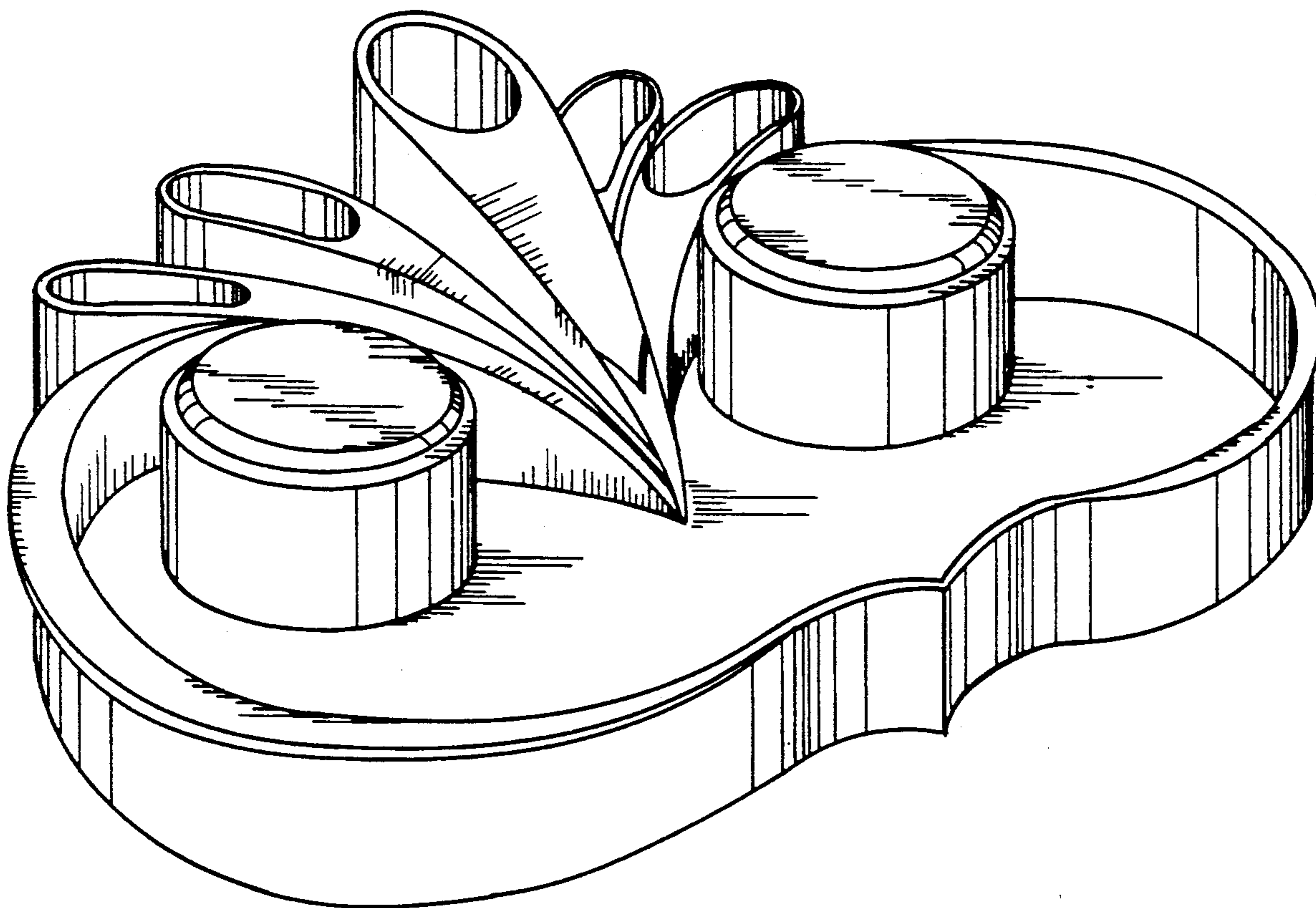
DESCRIPTION

FIG. 1 is a top, front, and left side perspective view of an organizer for cosmetic articles and the like showing my new design;

FIG. 2 is a right side elevational view thereof, the left side being a mirror image of that shown;

FIG. 3 is a rear elevational view thereof; and

FIG. 4 is a top plan view thereof.



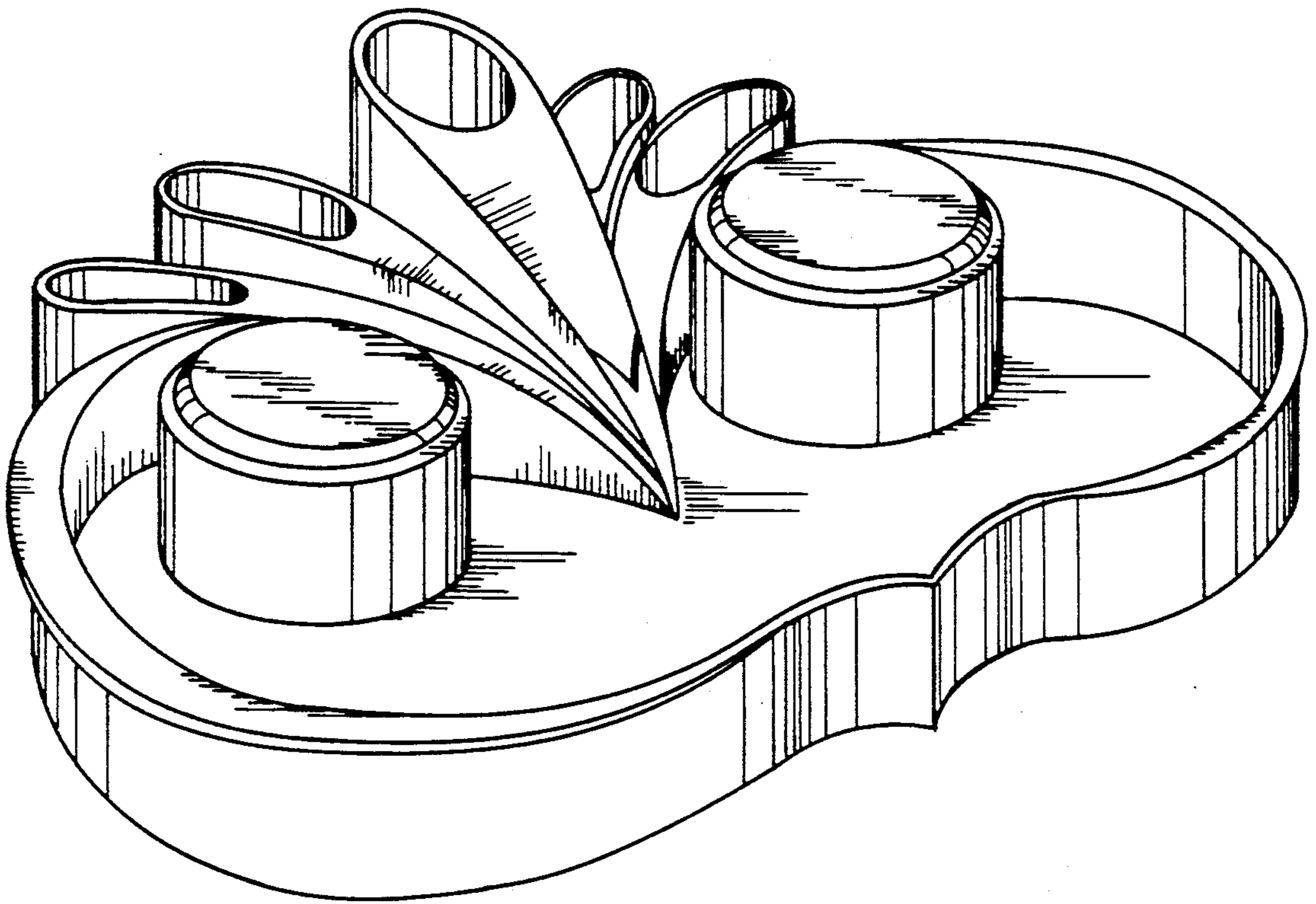


FIG. 1

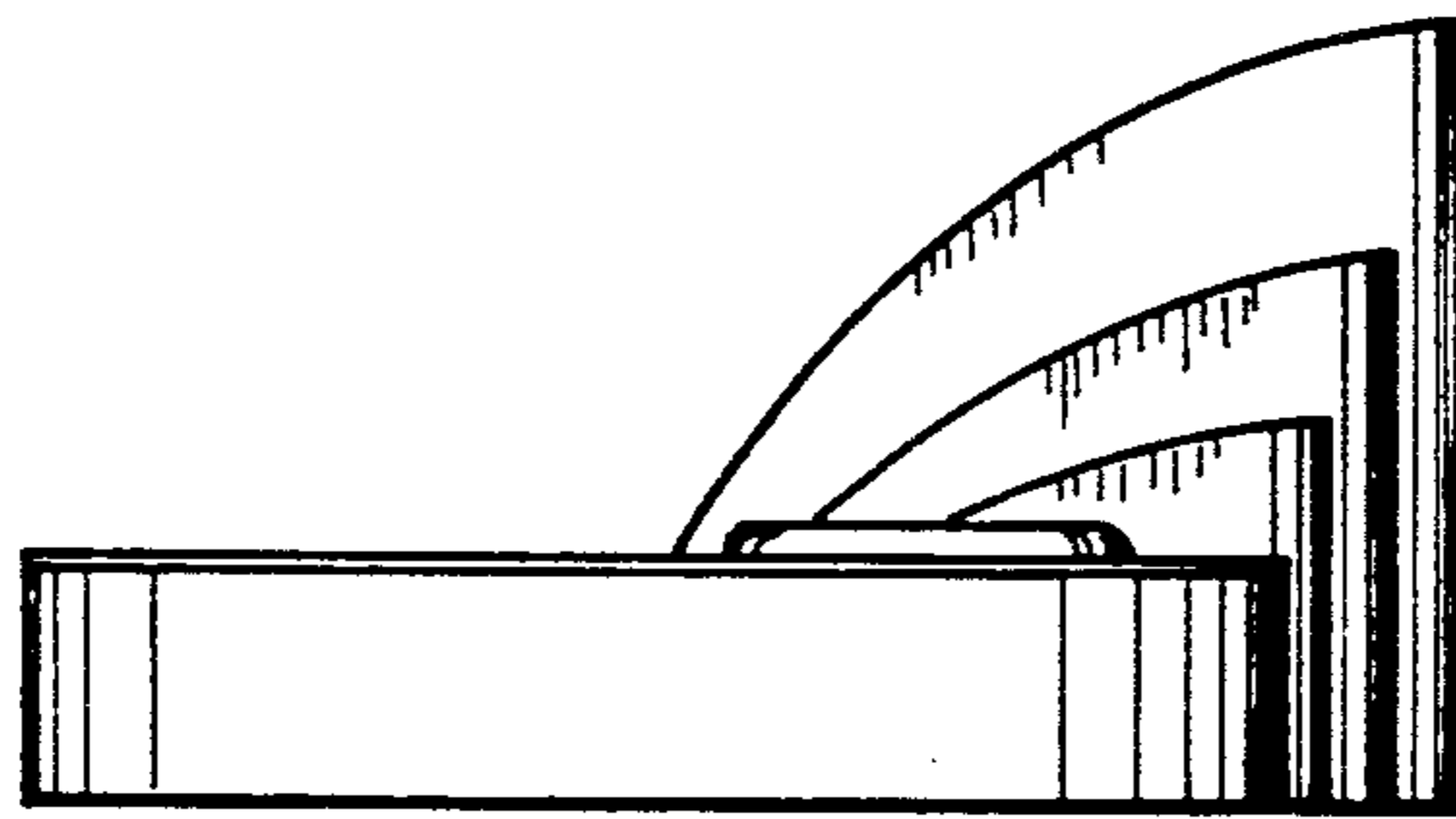


FIG. 2

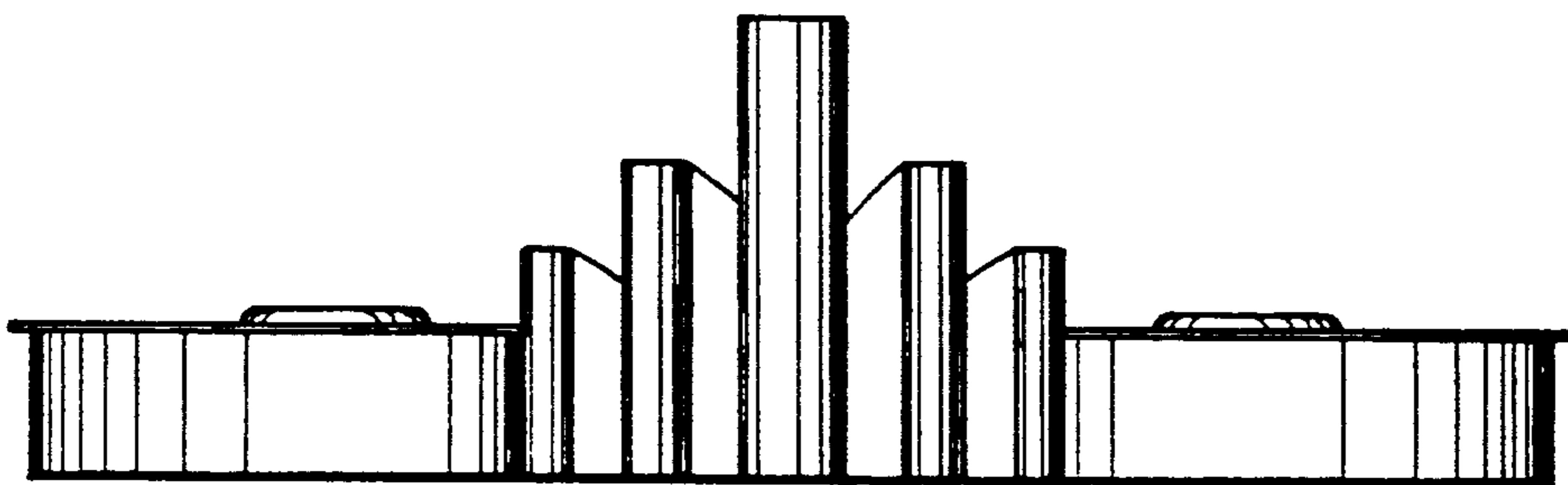


FIG. 3

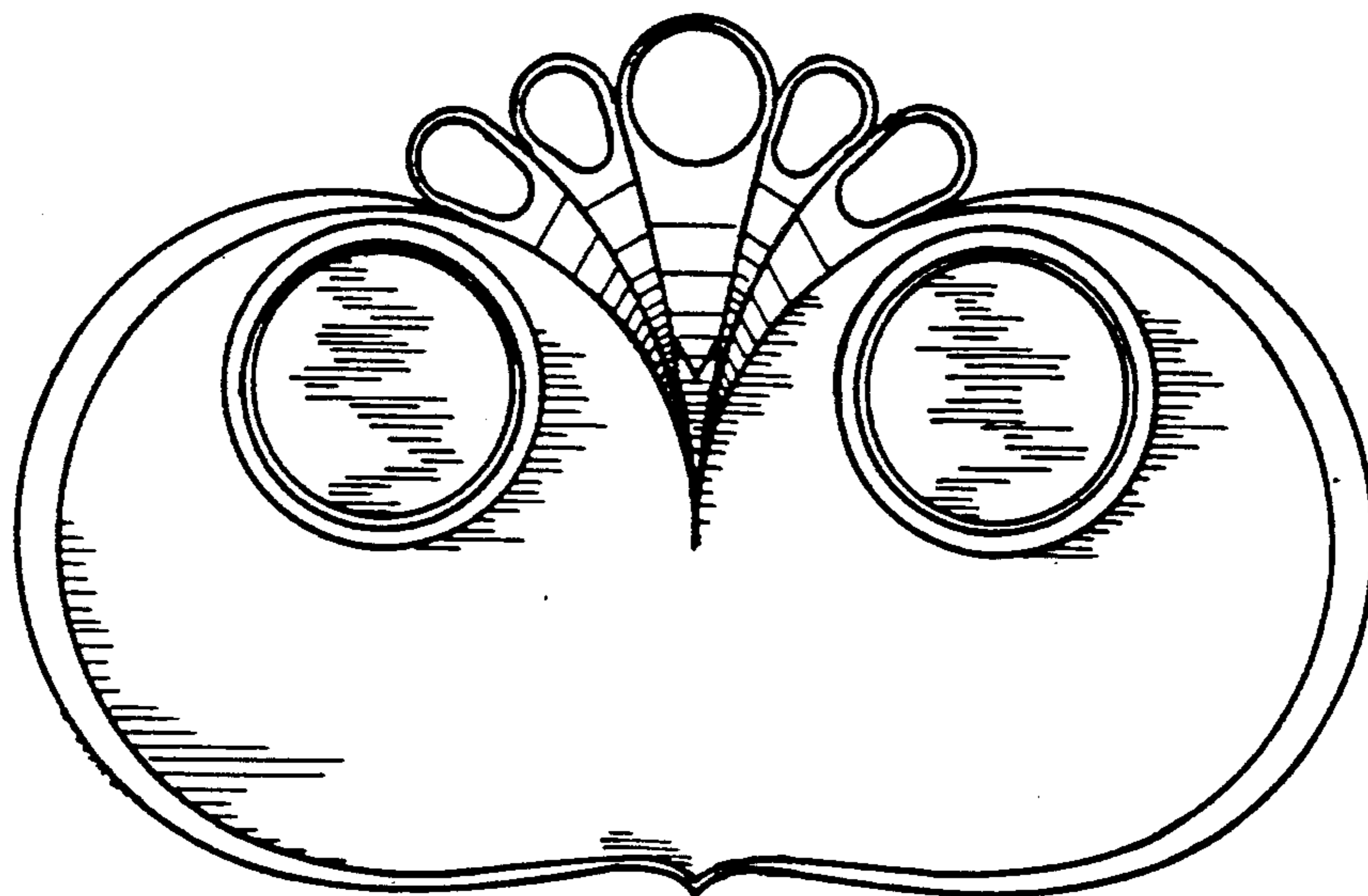


FIG. 4