

[54] STORAGE CONTAINER

[76] Inventor: Robert S. Berman, 2696 San Miguel Cir., Thousand Oaks, Calif. 91360

[**] Term: 14 Years

[21] Appl. No.: 382,566

[22] Filed: Jul. 19, 1989

[52] U.S. Cl. D6/476; D6/467

[58] Field of Search D6/437, 449, 475, 476, D6/478, 466, 467, 468; 211/55, 50, 40, 41

[56] References Cited

U.S. PATENT DOCUMENTS

D. 69,254	1/1926	Colker	D6/437
D. 87,170	6/1932	Philippi	D6/475 X
D. 90,739	9/1933	Templin	D6/476 X
D. 110,269	6/1938	Churchill	D6/475 X
D. 131,198	1/1942	Limpert et al.	D6/476
D. 132,551	5/1942	Slingsby	D6/476 X
D. 150,378	7/1948	Spence	D6/478 X
D. 174,754	5/1955	Kallmeyer	D19/90 X
D. 279,529	7/1985	Denhoff	D6/468 X
965,019	7/1910	Schandein et al.	211/55 X

Primary Examiner—Bruce W. Dunkins
Assistant Examiner—Jeffrey Asch
Attorney, Agent, or Firm—Frederick Gotha

[57] CLAIM

The ornamental design for a storage container, as shown and described.

DESCRIPTION

FIG. 1 is a perspective view of a storage container showing my new design;
FIG. 2 is a front elevational view thereof;
FIG. 3 is a right side elevational view, the left side being a mirror image thereof;
FIG. 4 is a top plan view thereof;
FIG. 5 is a rear elevational view thereof;
FIG. 6 is a perspective view of a second embodiment of that shown in FIG. 1;
FIG. 7 is a front elevational view of that shown in FIG. 6;
FIG. 8 is a right side elevational view of that shown in FIG. 6, the left side being a mirror image thereof;
FIG. 9 is a top plan view of that shown in FIG. 6;
FIG. 10 is a perspective view of a third embodiment of that shown in FIG. 1;
FIG. 11 is a front elevational view of that shown in FIG. 10;
FIG. 12 is a right side elevational view of that shown in FIG. 10, the left side being a mirror image thereof; and
FIG. 13 is a top plan view of that shown in FIG. 10.
The rear of the second and third embodiment is the same in appearance as that of the first embodiment shown in FIG. 5.

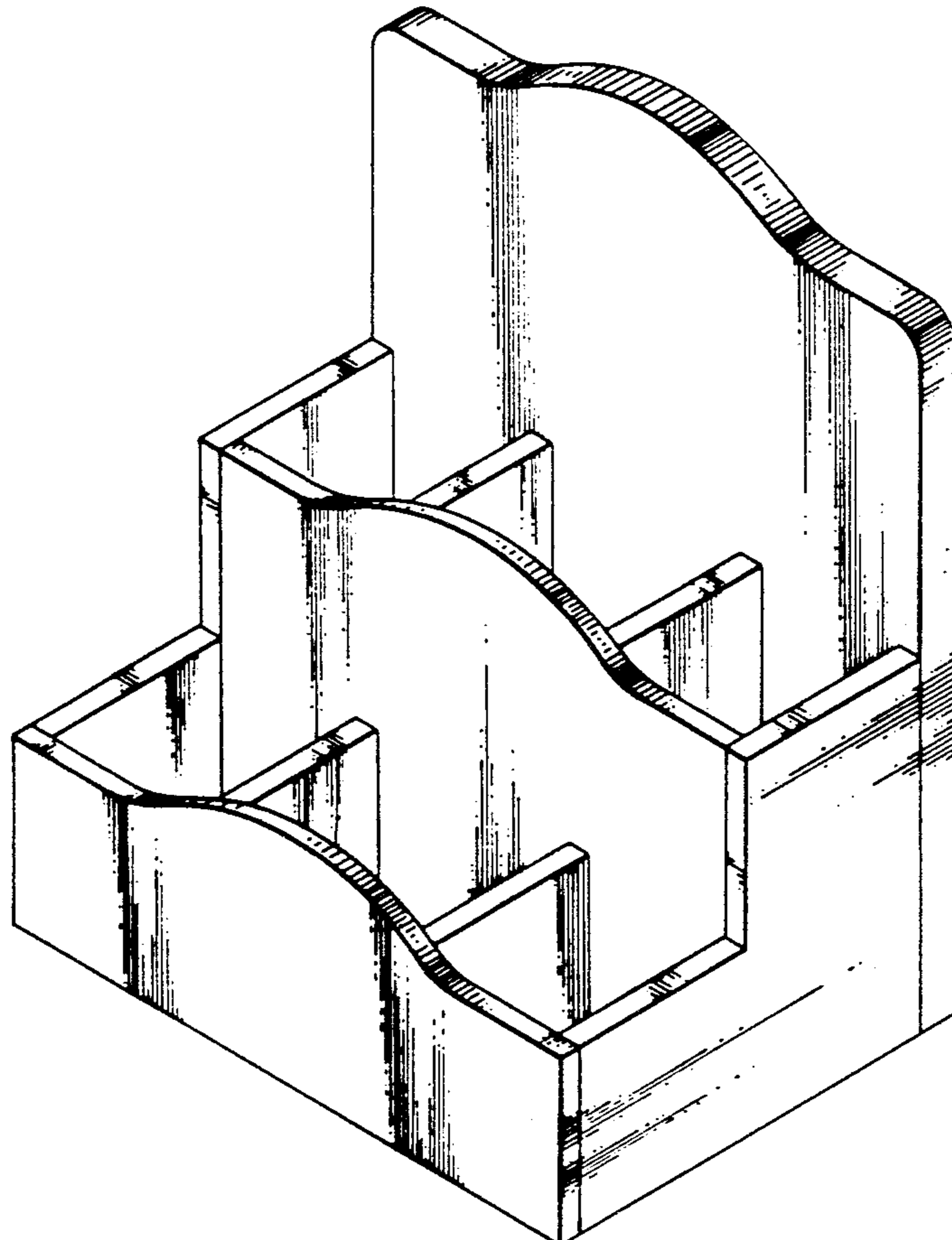
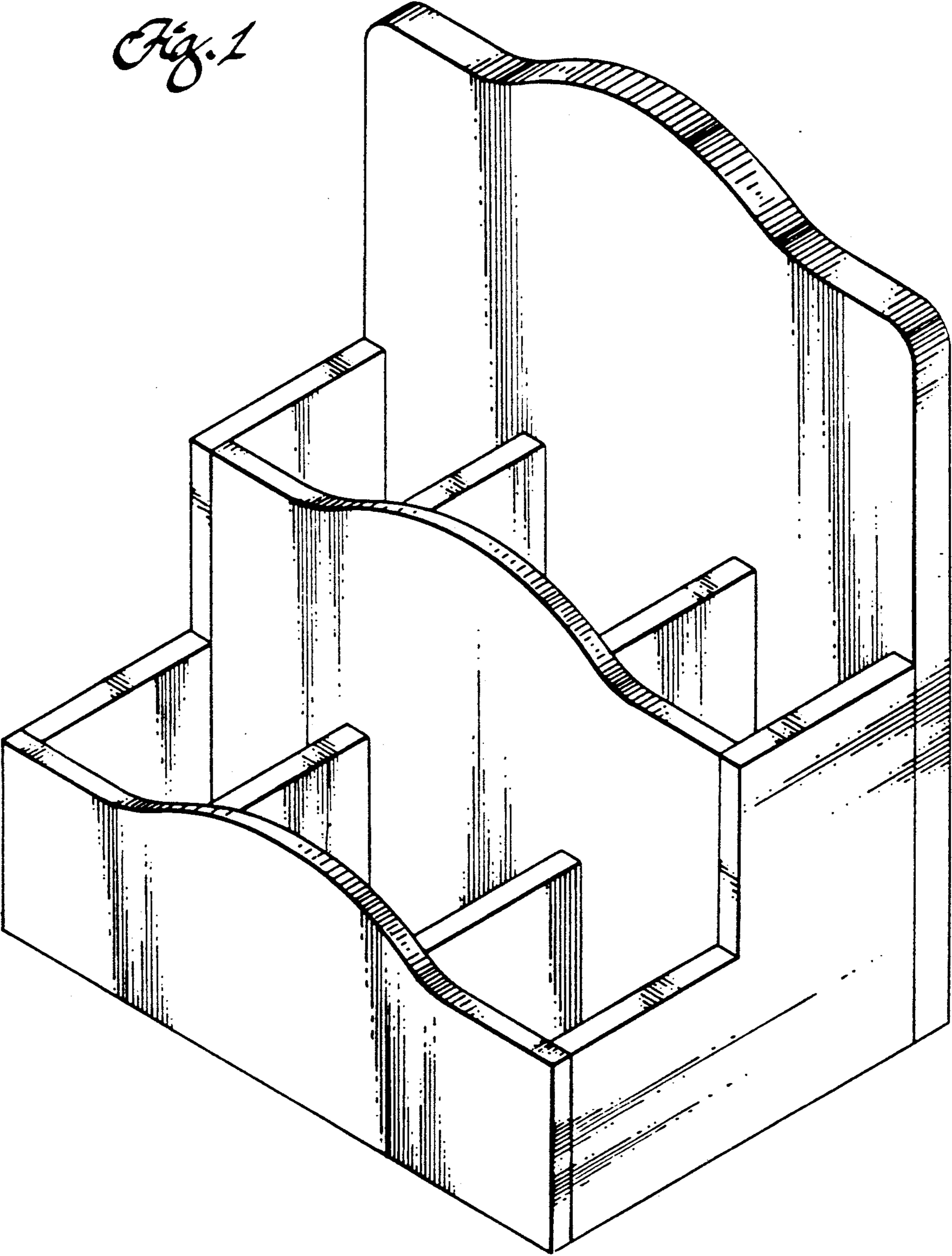


Fig. 1



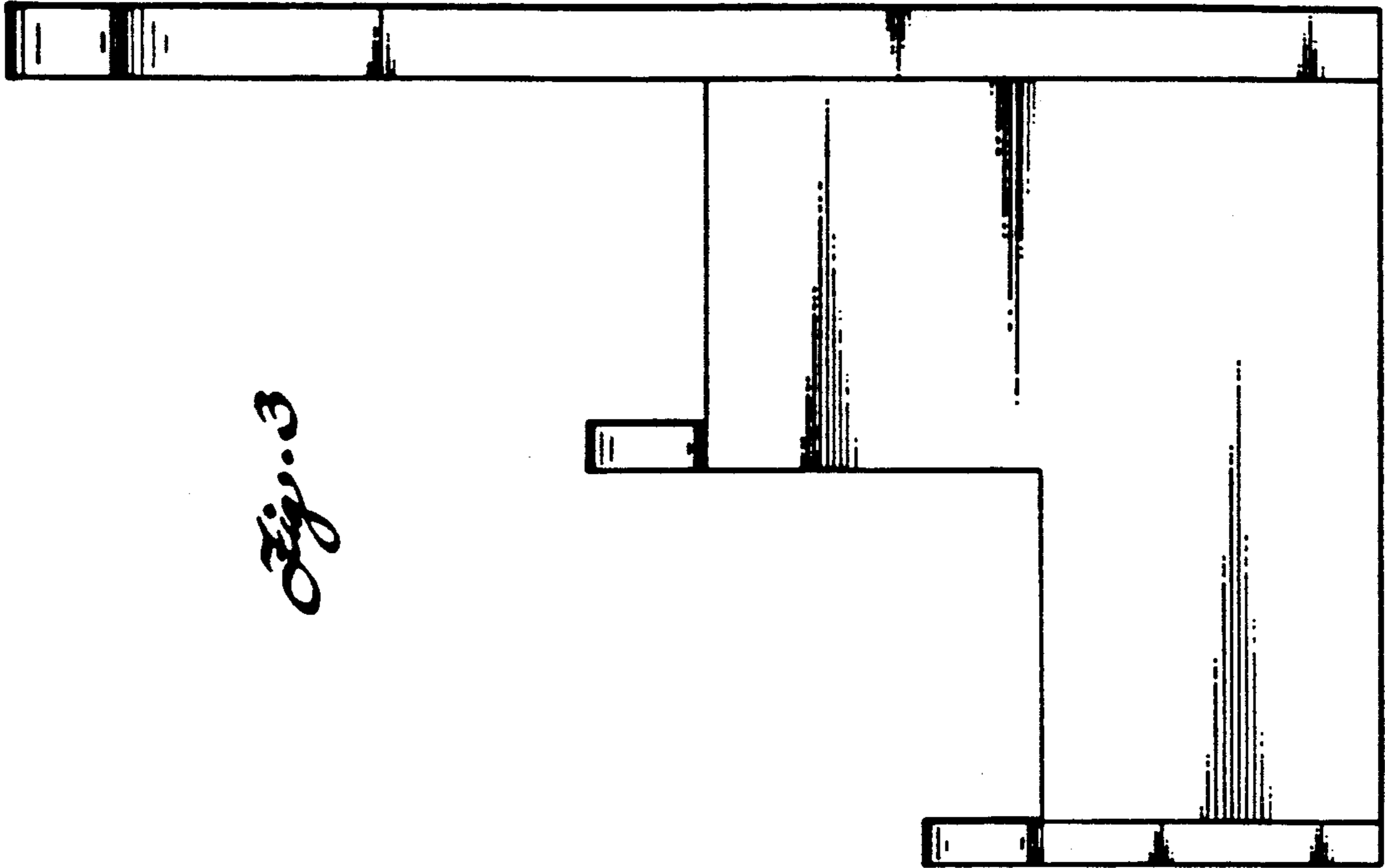


Fig. 3

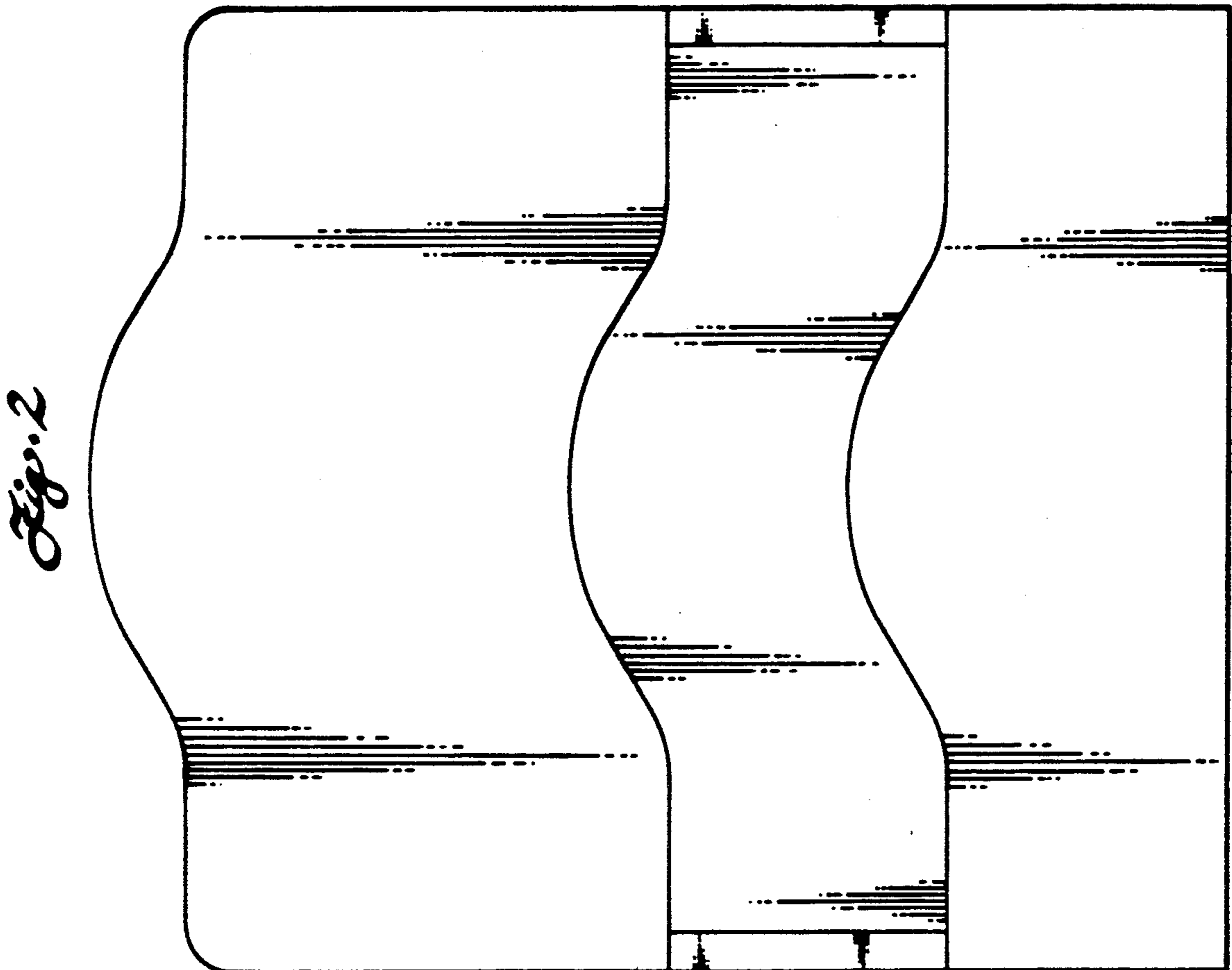


Fig. 2

Fig. 4

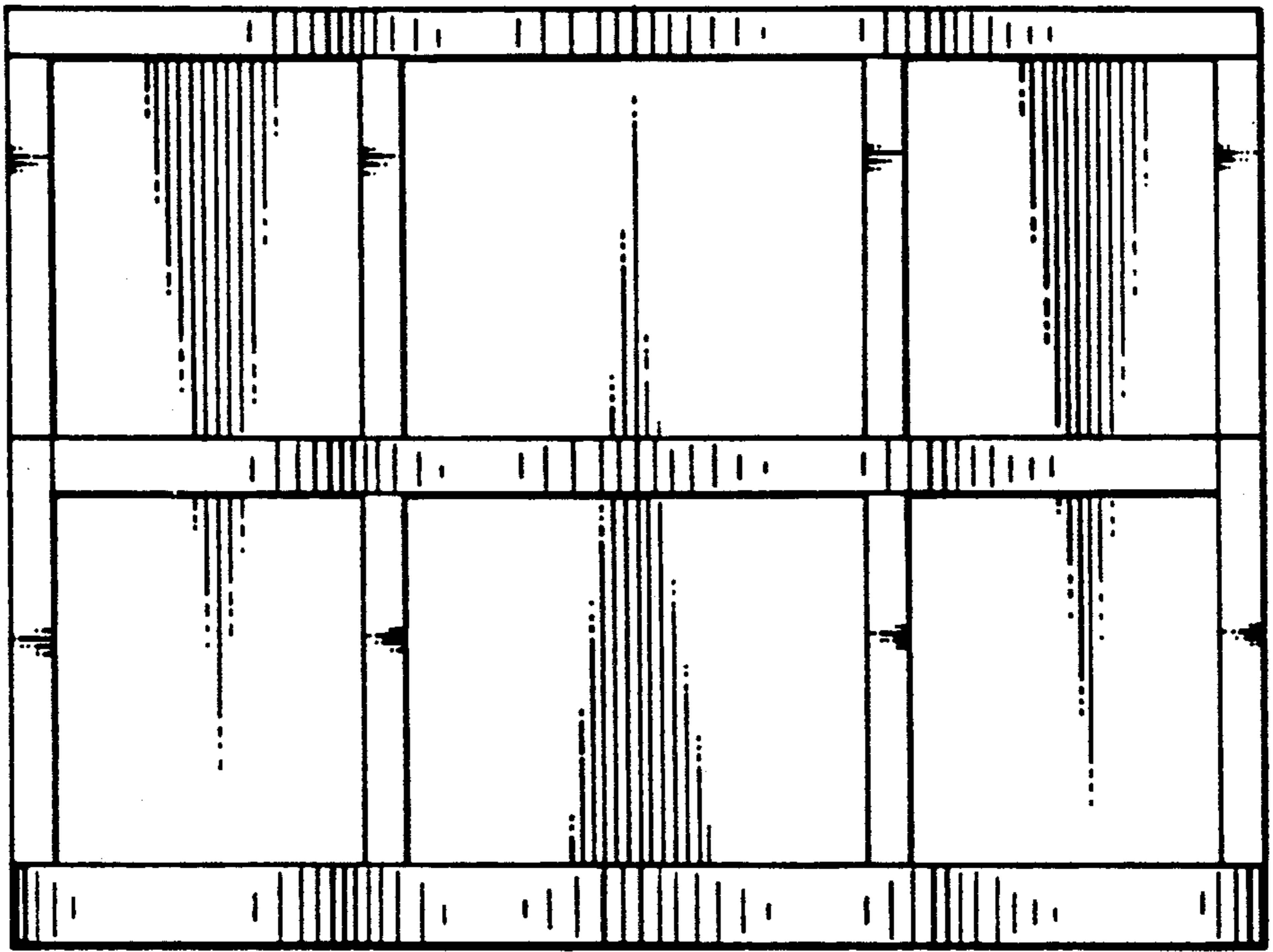


Fig. 5

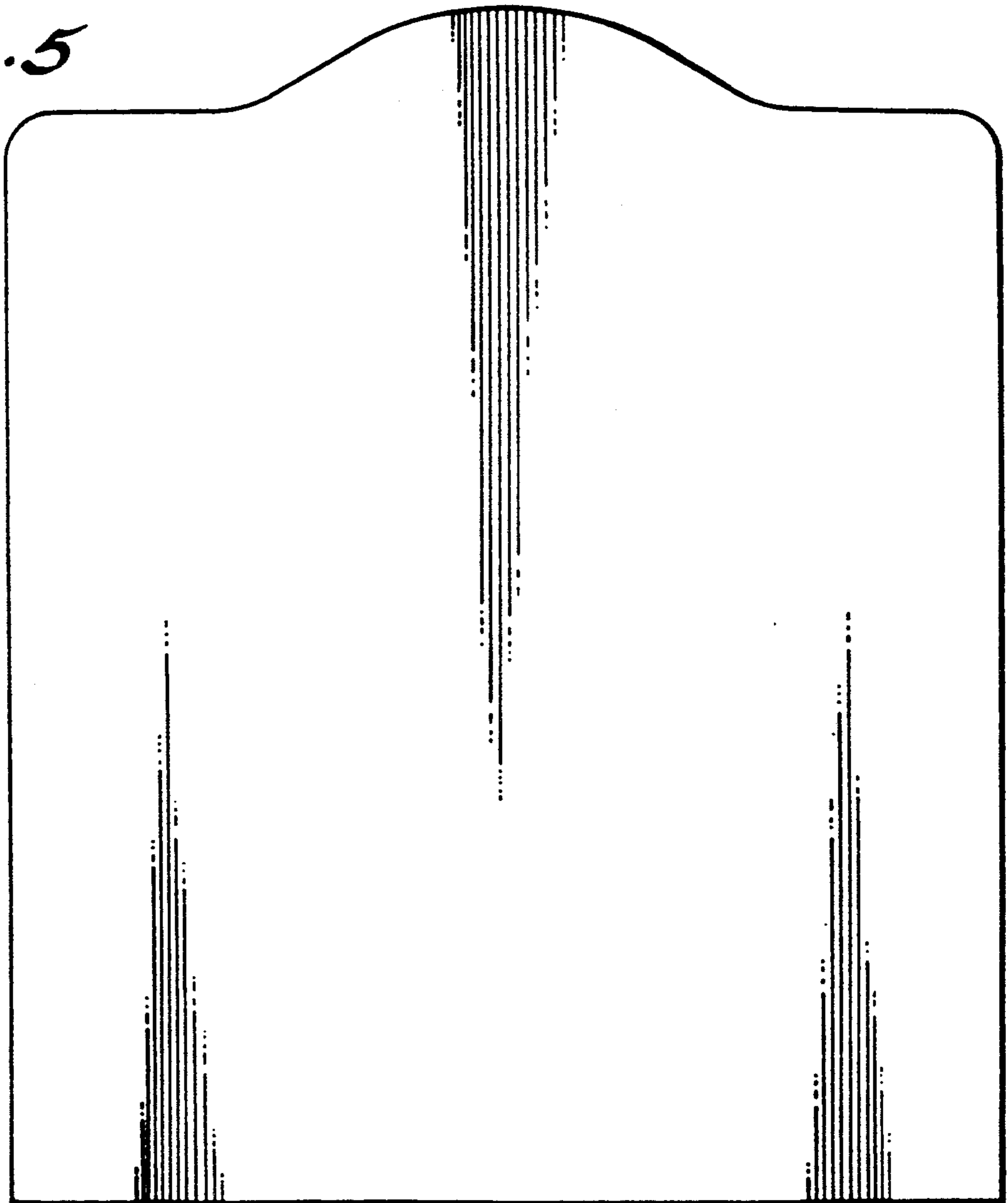


Fig. 6

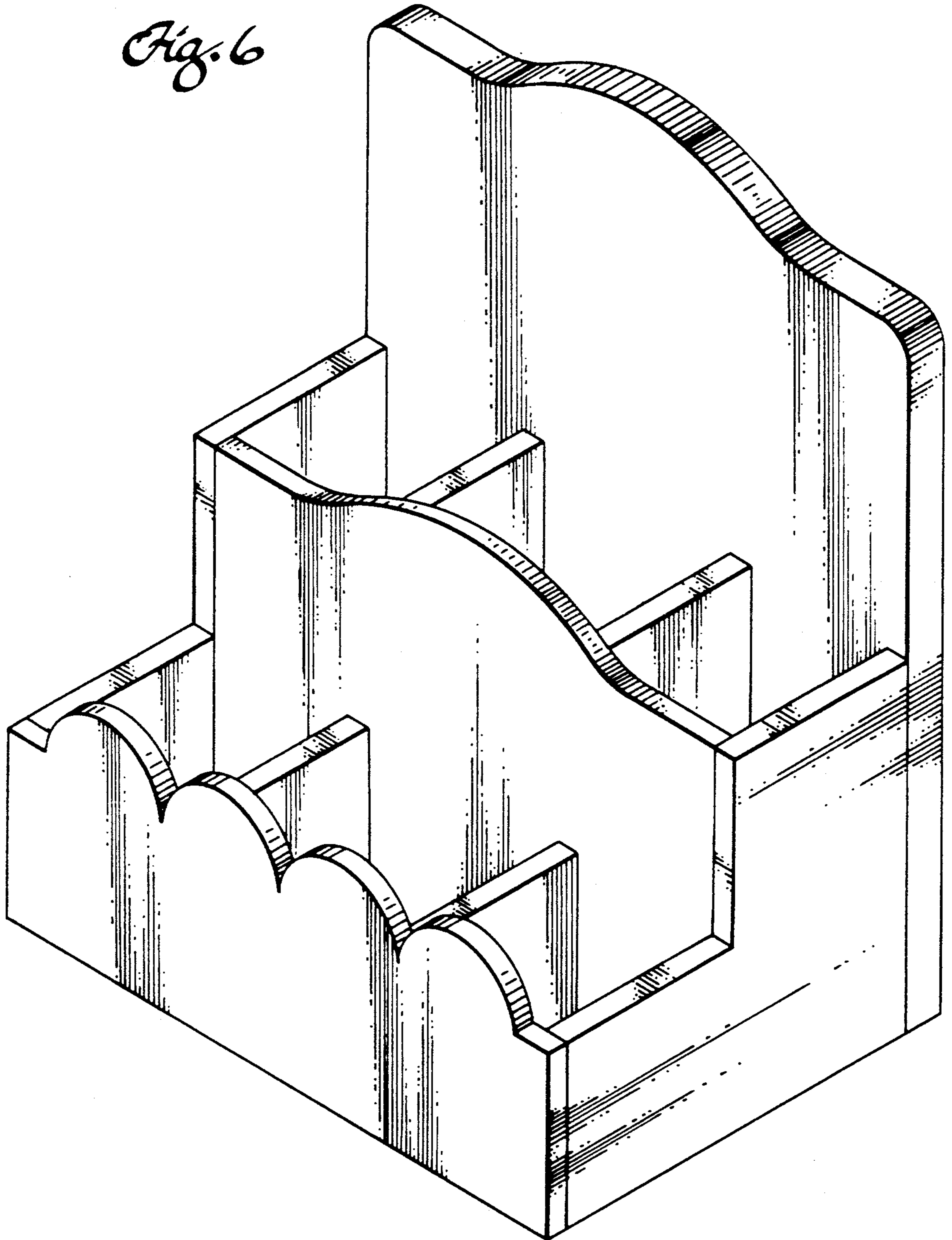


Fig. 8

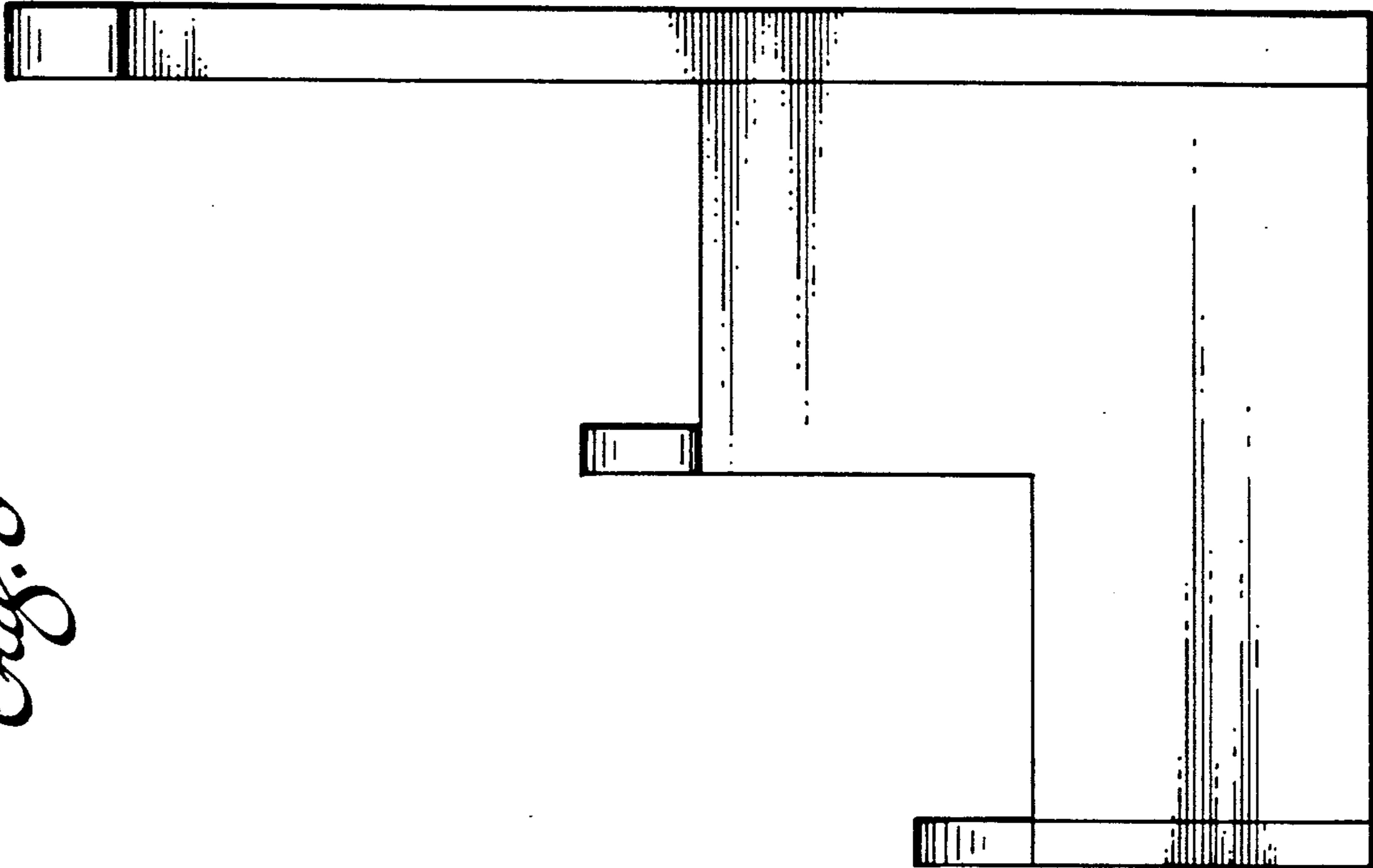


Fig. 7

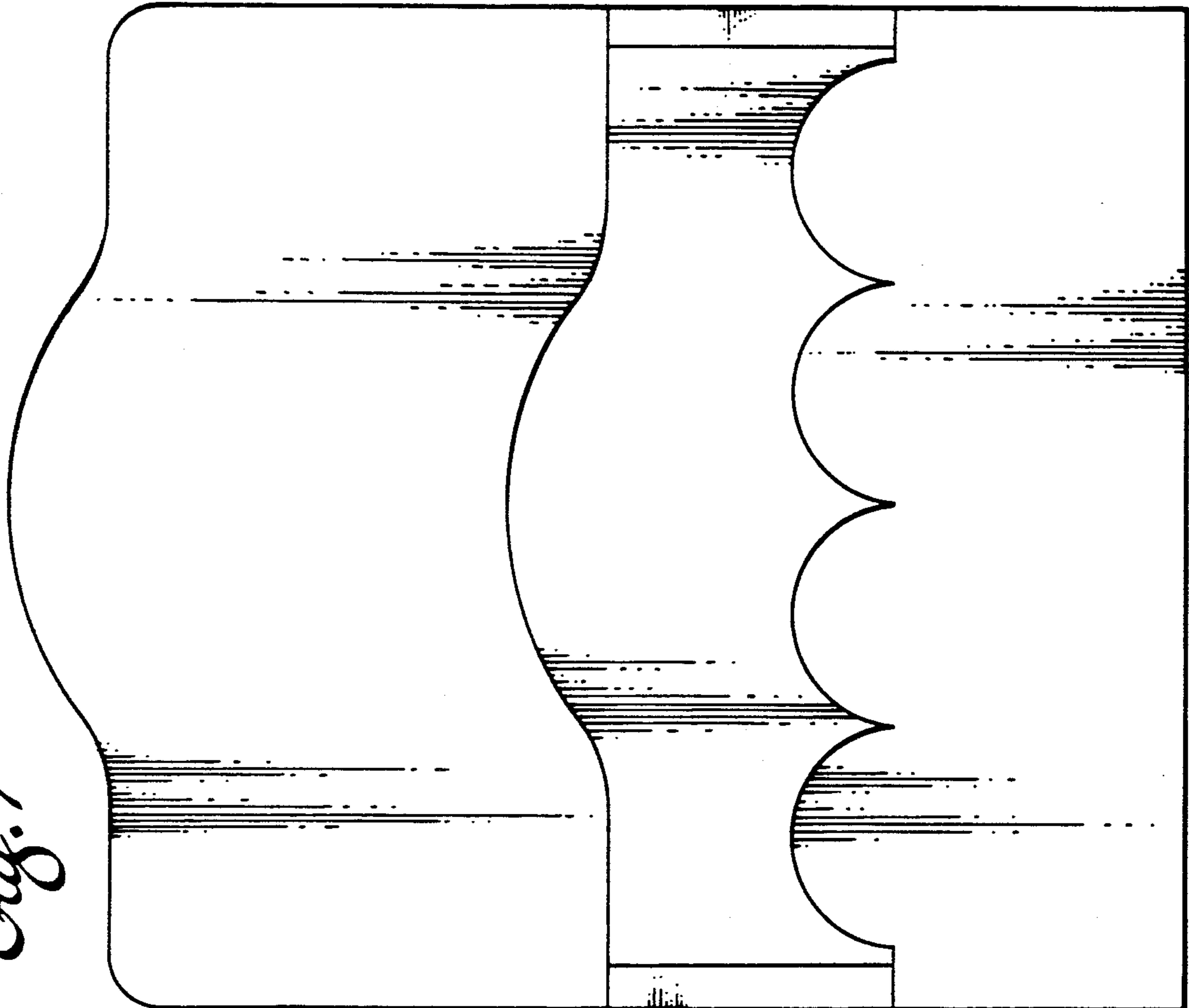


Fig. 9

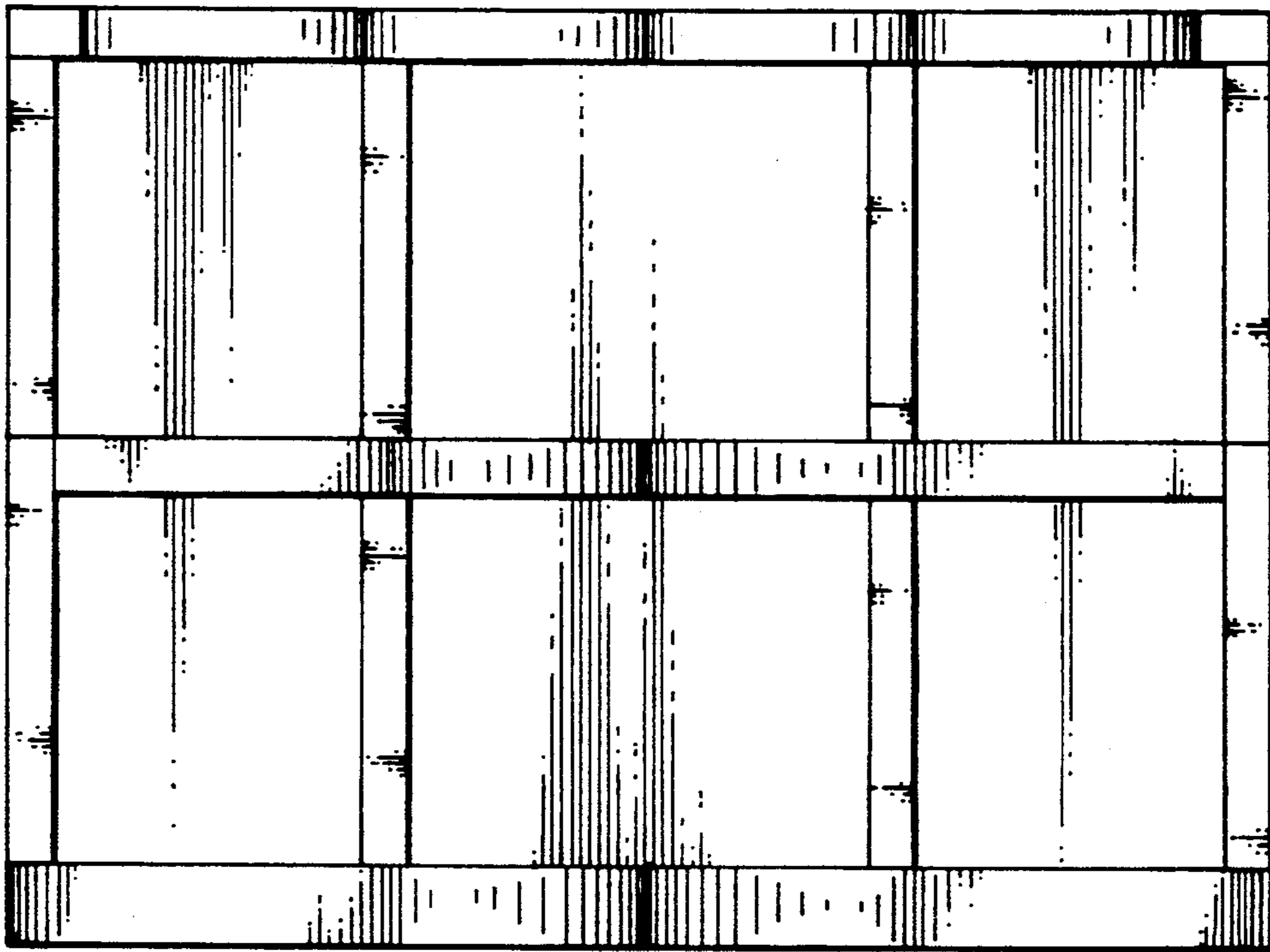


Fig. 13

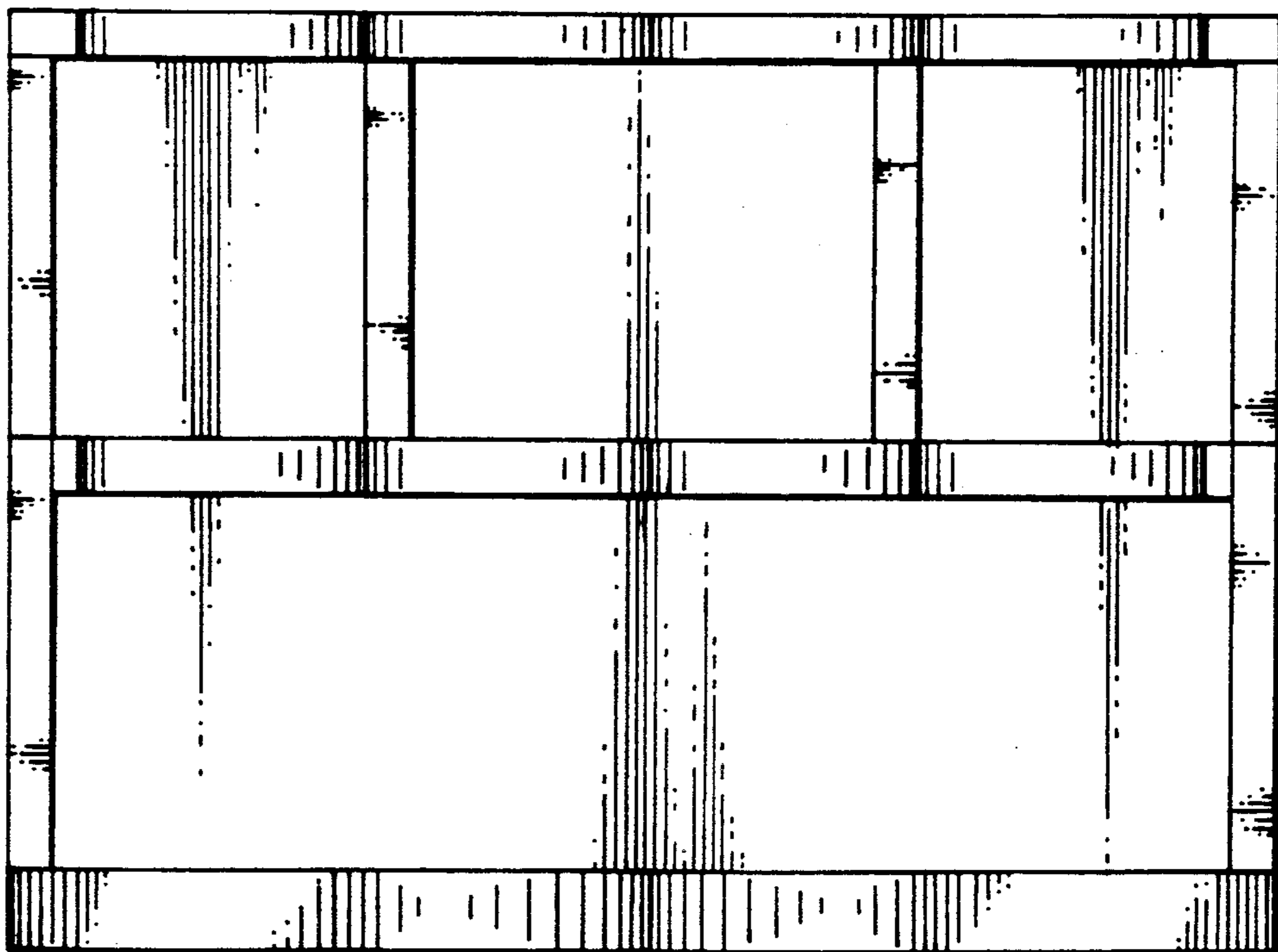


Fig. 10

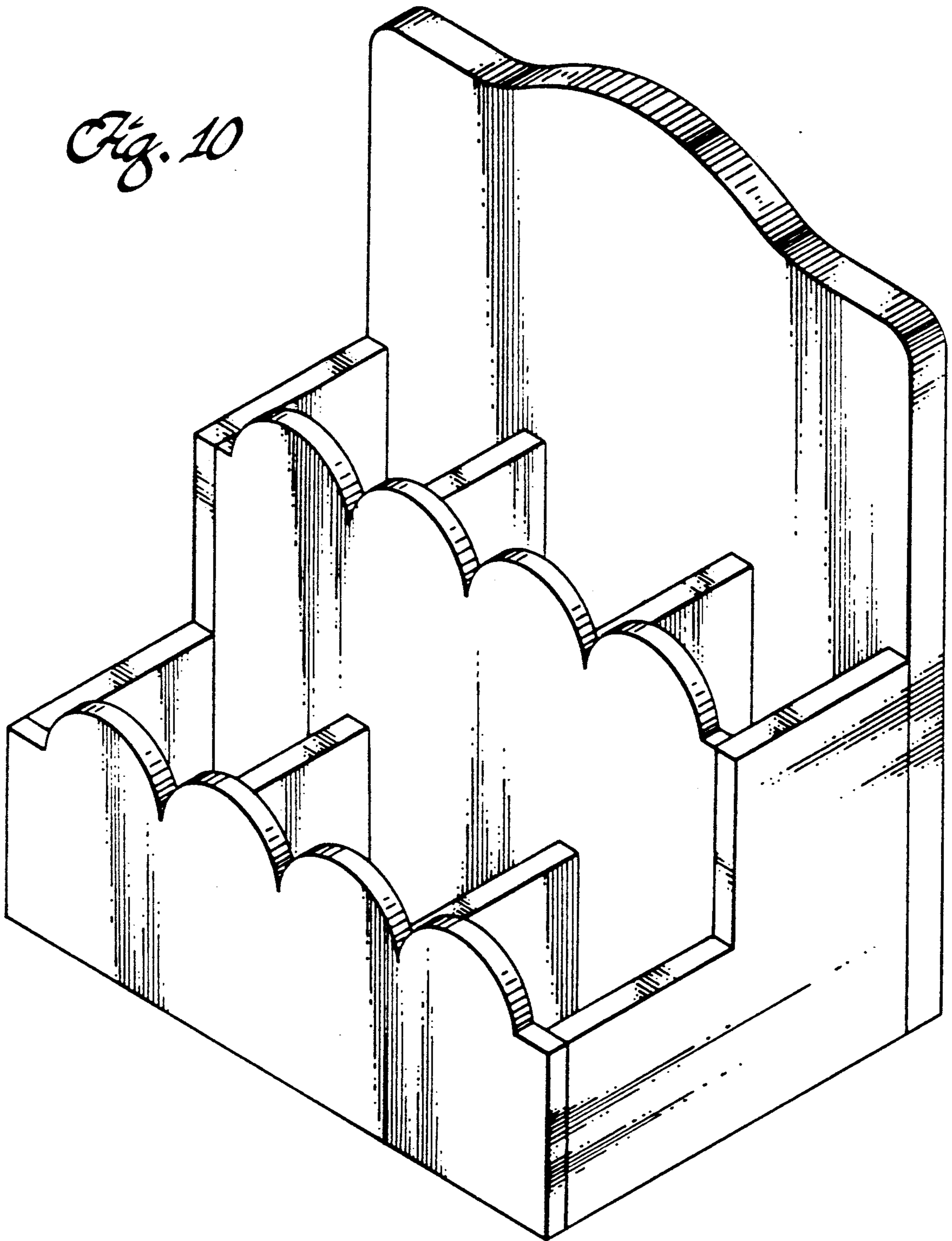


Fig. 12

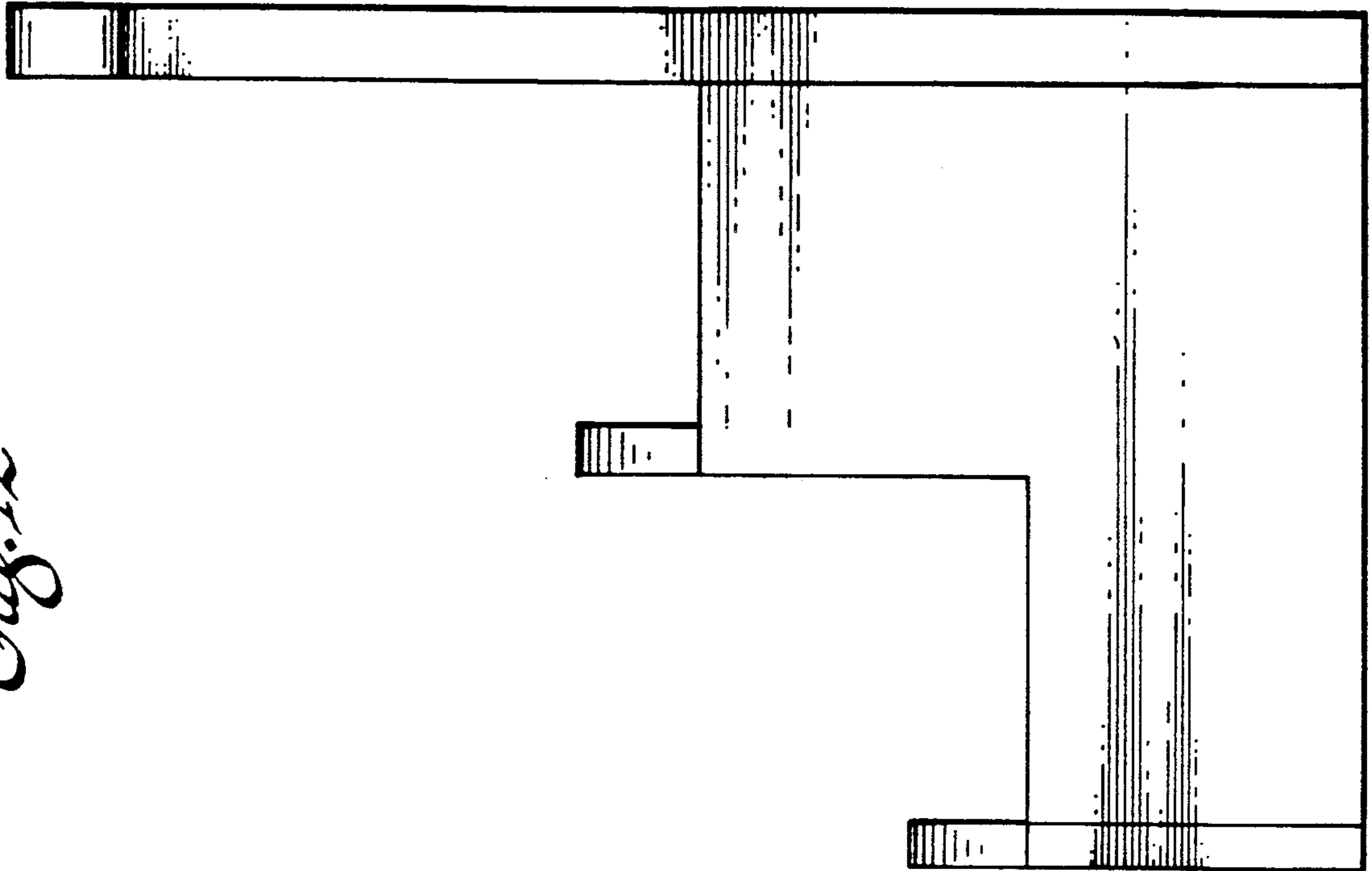


Fig. 11

