

[54] **DISPLAY HOLDER FOR AUDIO AND VIDEO CASSETTES OR THE LIKE**

[76] **Inventor: Samuel W. Strickland, III, 27094 S. Bolland Rd., Canby, Oreg. 97013**

[**] **Term: 14 Years**

[21] **Appl. No.: 332,941**

[22] **Filed: Apr. 3, 1989**

[52] **U.S. Cl. D6/407; D3/35; D3/78; D6/470**

[58] **Field of Search D6/407, 470, 471, 472, D6/467; D3/78, 30.1, 35, 74, 75; 211/13, 40, 41; D9/341; 206/387**

[56] **References Cited**

U.S. PATENT DOCUMENTS

- | | | | |
|------------|--------|---------------------------|----------|
| D. 167,862 | 9/1952 | Schladermundt et al. | D6/470 |
| D. 248,124 | 7/1976 | Brown | D6/467 X |
| D. 251,214 | 2/1979 | Coleman et al. | D3/74 |
| D. 254,122 | 2/1980 | Wintz | D3/74 X |

- | | | | |
|------------|---------|------------------------|--------|
| D. 259,154 | 5/1981 | White, Jr. et al. | D3/75 |
| D. 275,833 | 10/1984 | Malpass | D9/341 |
| D. 291,024 | 7/1987 | Kikuchi | D3/35 |
| D. 307,667 | 5/1990 | Ozeki | D3/35 |
| D. 315,982 | 4/1991 | Kunimune et al. | D3/35 |

Primary Examiner—Nelson C. Holtje
Assistant Examiner—Jeffrey Asch
Attorney, Agent, or Firm—Marger, Johnson, McCollom & Stolowitz, Inc.

[57] **CLAIM**

The ornamental design for a display holder for audio and video cassettes or the like, as shown and described.

DESCRIPTION

FIG. 1 is a perspective view of a display holder for audio and video cassette or the like, showing my new design;

FIG. 2 is a top plan view thereof;

FIG. 3 is a front elevational view thereof; and

FIG. 4 is a right side, elevational view, the left side being a mirror image thereof.

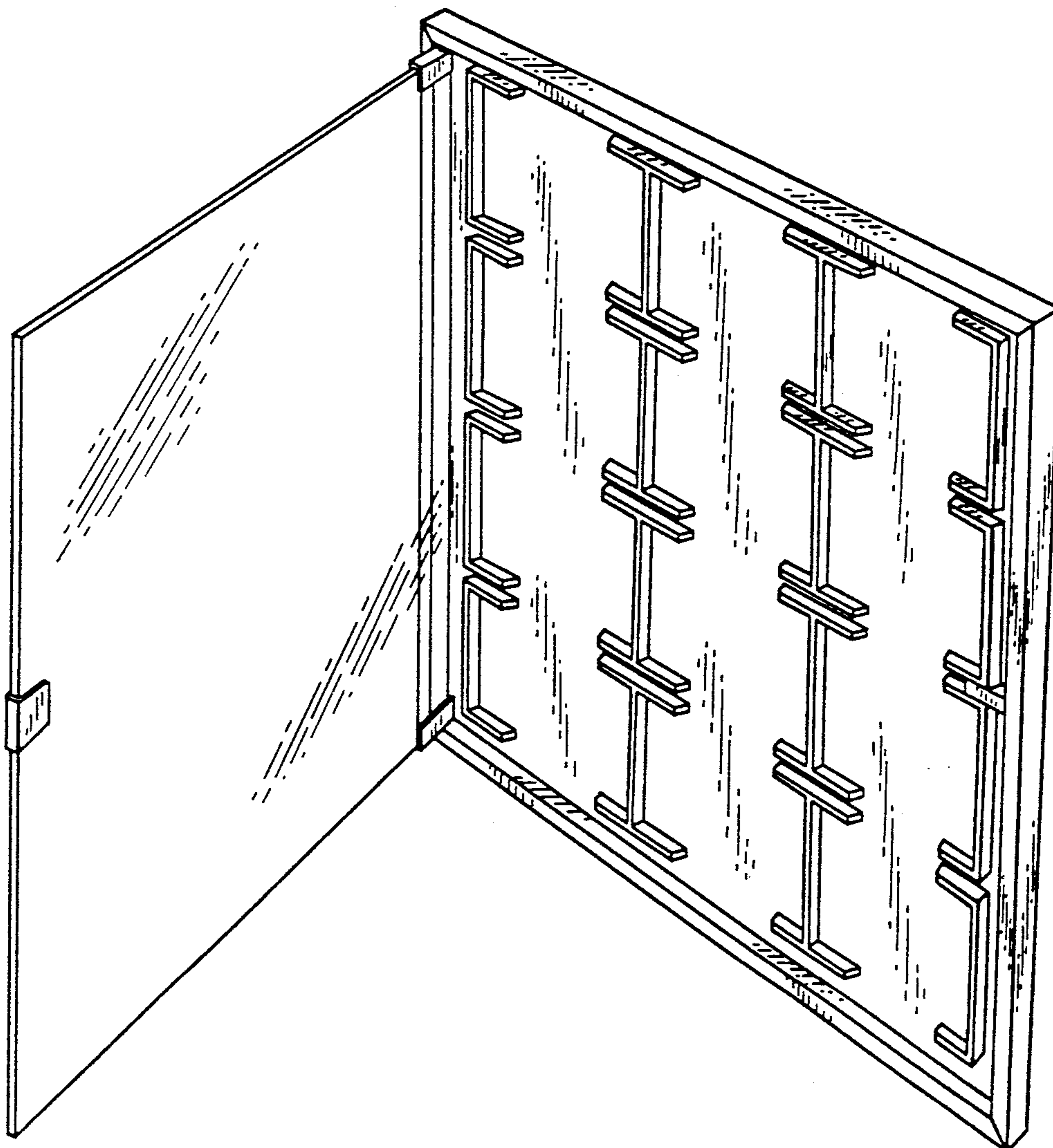


FIG. 1

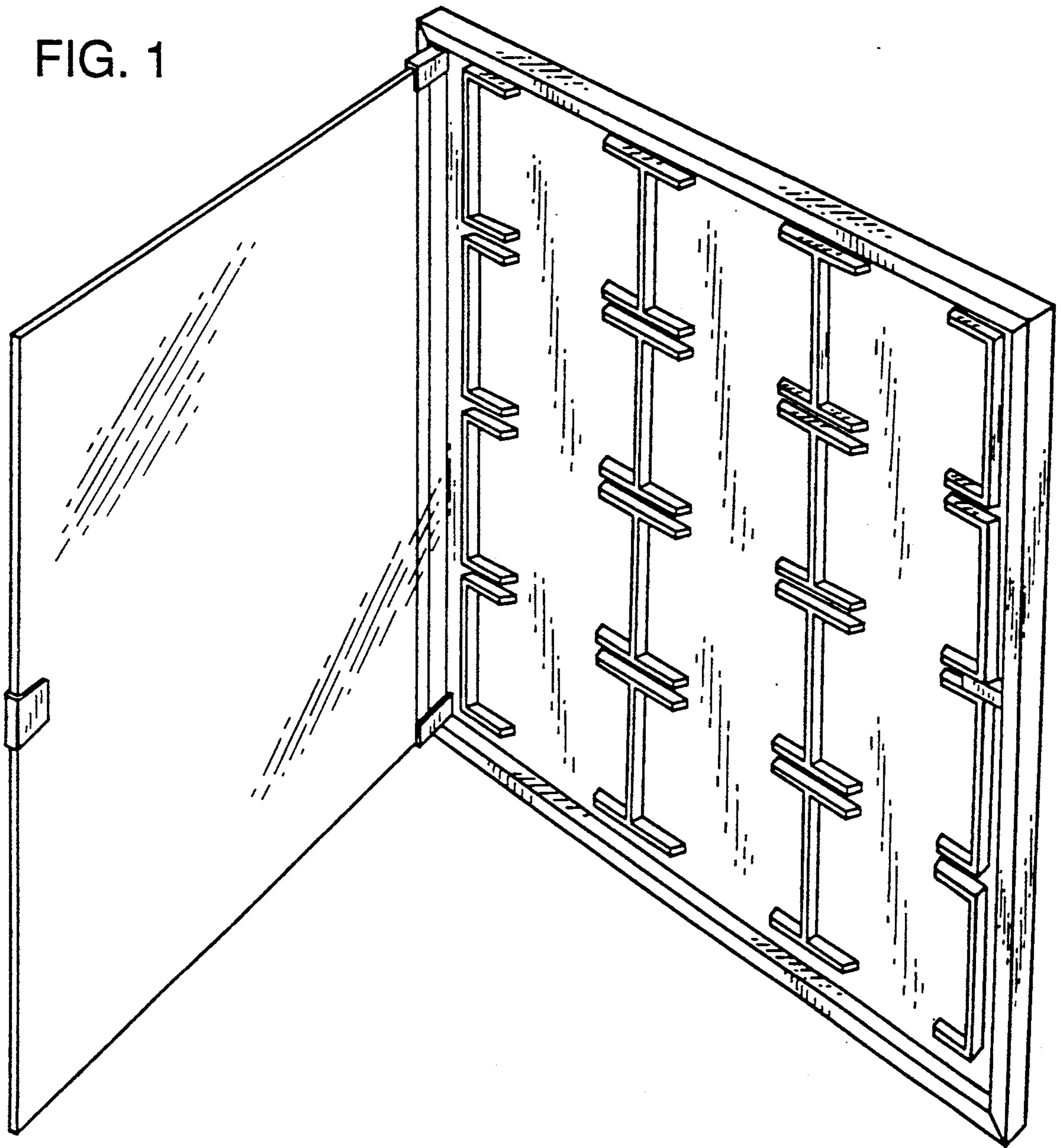


FIG. 2



FIG. 3

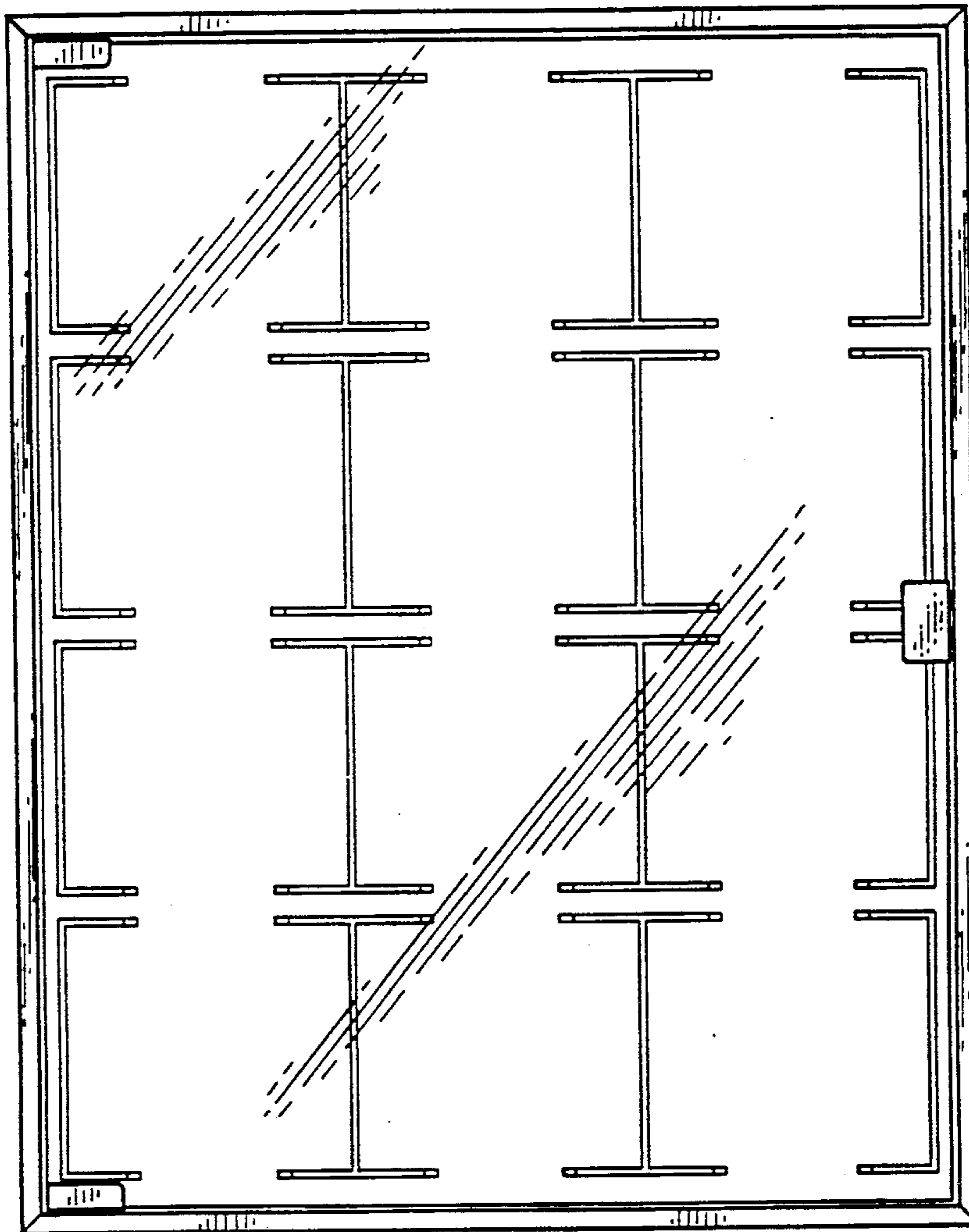


FIG. 4

