

[54] RACK

[76] Inventor: David M. Stravitz, 16 Park Ave.,
Suite 14A, New York, N.Y. 10016

[**] Term: 14 Years

[21] Appl. No.: 307,590

[22] Filed: Feb. 7, 1989

[52] U.S. Cl. D6/407; D6/428

[58] Field of Search D6/407, 422-428,
D6/419, 417; 206/387, 45.23, 425; D3/35;
211/40, 41, 42, 43

[56] References Cited

U.S. PATENT DOCUMENTS

D. 203,513	1/1966	Warren	D6/462
D. 240,421	7/1976	Rose	D19/90 X
D. 260,197	8/1981	Long et al.	D3/35 X
D. 283,568	4/1986	Valley	D6/429
D. 290,201	6/1987	Wilder	D6/407 X
D. 309,998	8/1990	Sumrell et al.	D6/407 X
757,712	4/1904	Arnold	.	
3,179,367	4/1965	Rapata	.	
3,600,735	1/1970	Jerabek	.	
4,162,013	7/1979	Tucker	.	

FOREIGN PATENT DOCUMENTS

1274556 9/1961 France .
261537 11/1925 United Kingdom .
627398 9/1947 United Kingdom .

OTHER PUBLICATIONS

Home Furnishings Daily, Sep. 4, 1958, p. 34, "Record Holder".

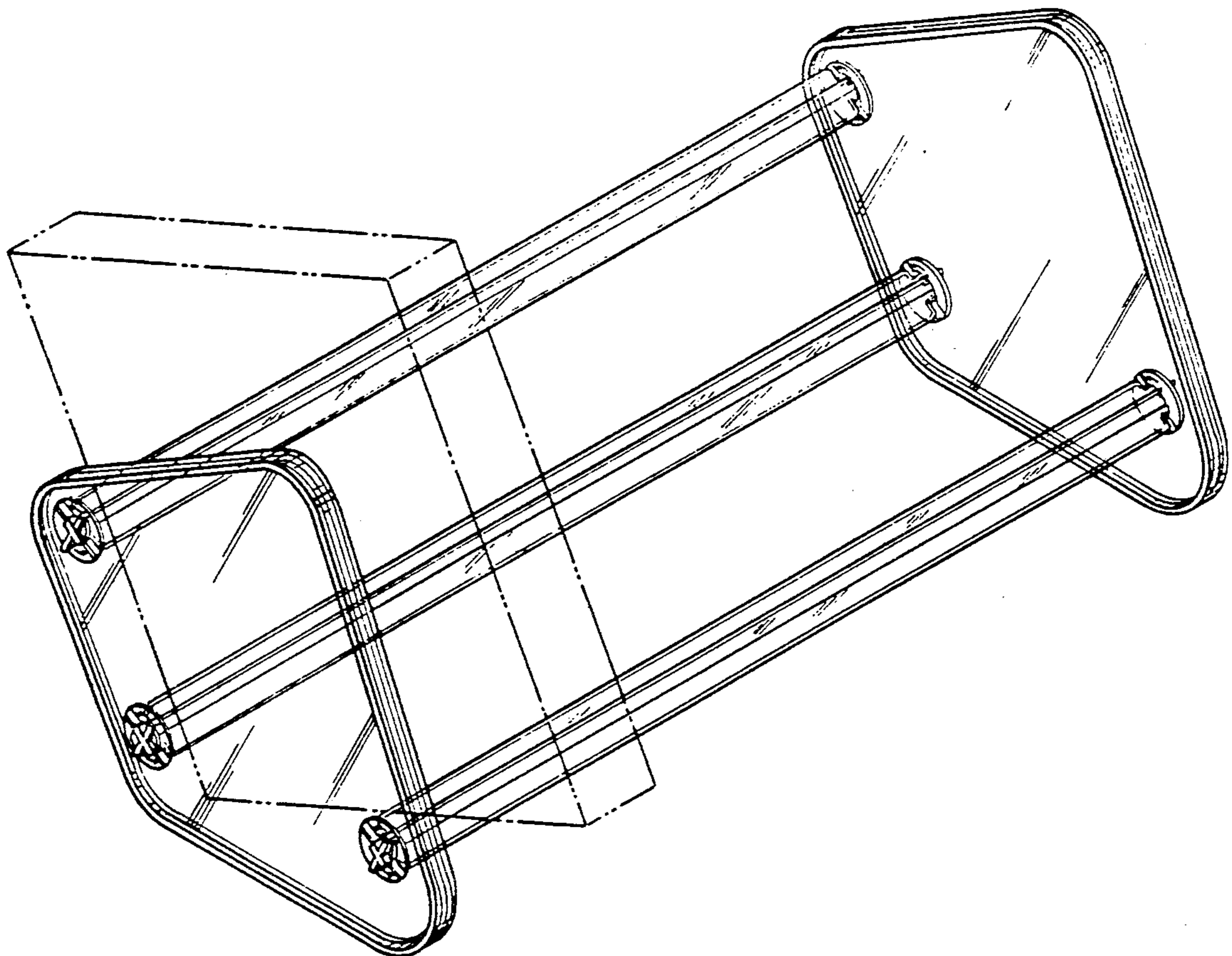
Primary Examiner—Bruce W. Dunkins
Assistant Examiner—Monica A. Hannon
Attorney, Agent, or Firm—Frishauf, Holtz, Goodman & Woodward

[57] CLAIM

The ornamental design for rack, as shown and described.

DESCRIPTION

FIG. 1 is a perspective view of a rack showing my new design, therein a book or the like being shown for illustrative purposes only;
FIG. 2 is a top plan view thereof;
FIG. 3 is a front elevational view thereof;
FIG. 4 is a bottom view thereof;
FIG. 5 is a rear elevational view thereof;
FIG. 6 is a left end view thereof, the right end view being a mirror image;
FIG. 7 is a detail section per line 7-7 of FIG. 3; and
FIG. 8 is a detail section per line 8-8 of FIG. 6.



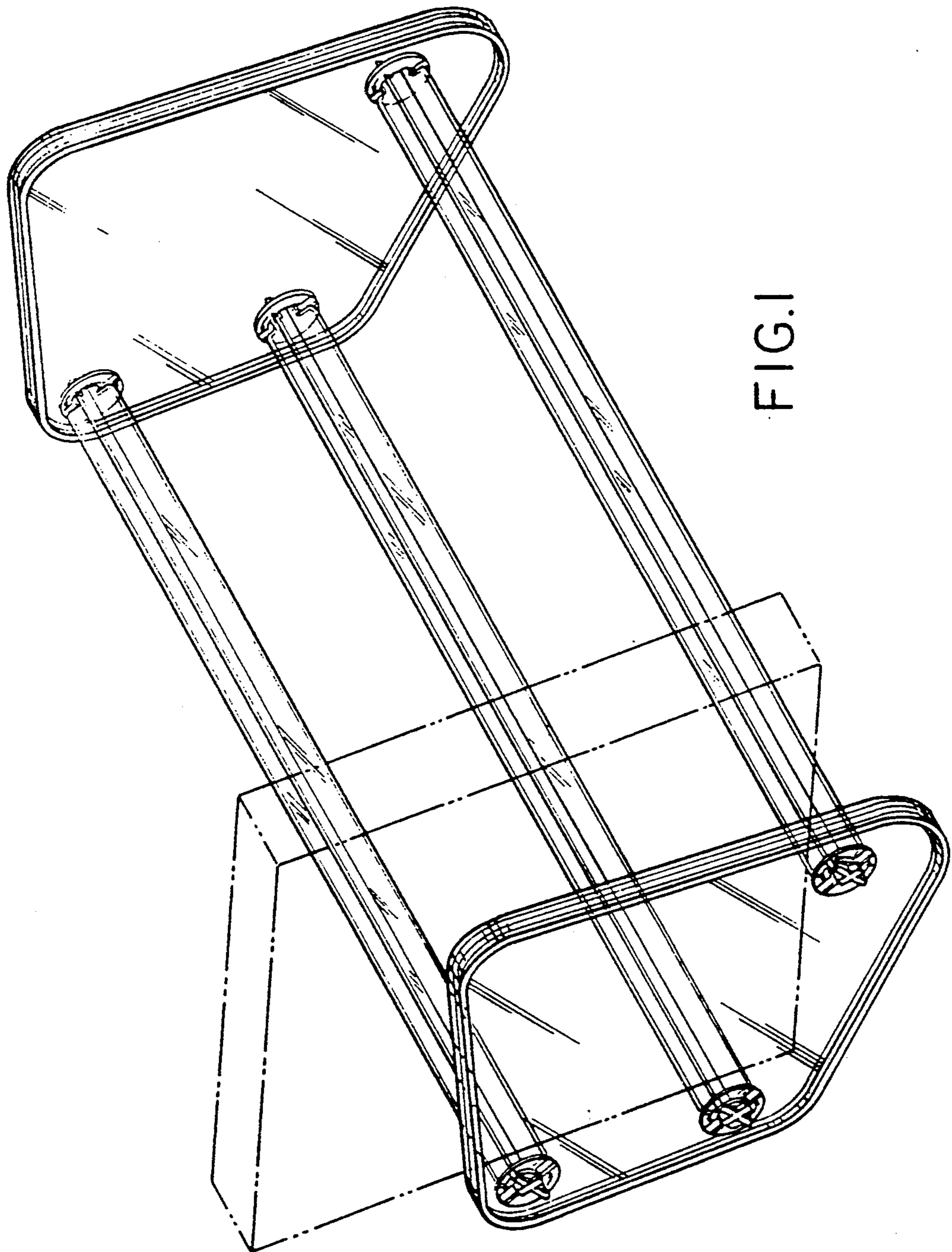


FIG. 1

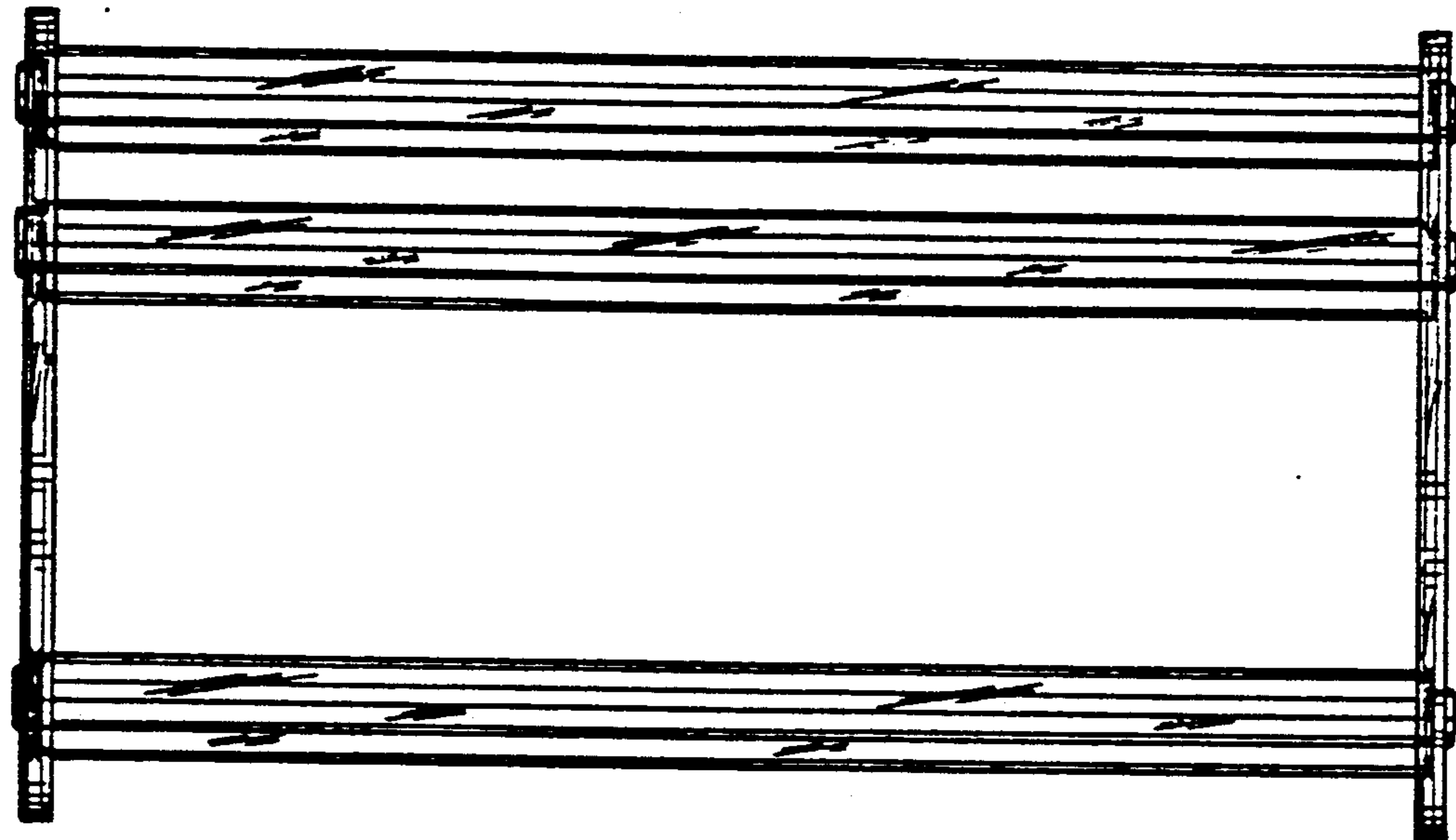


FIG. 2

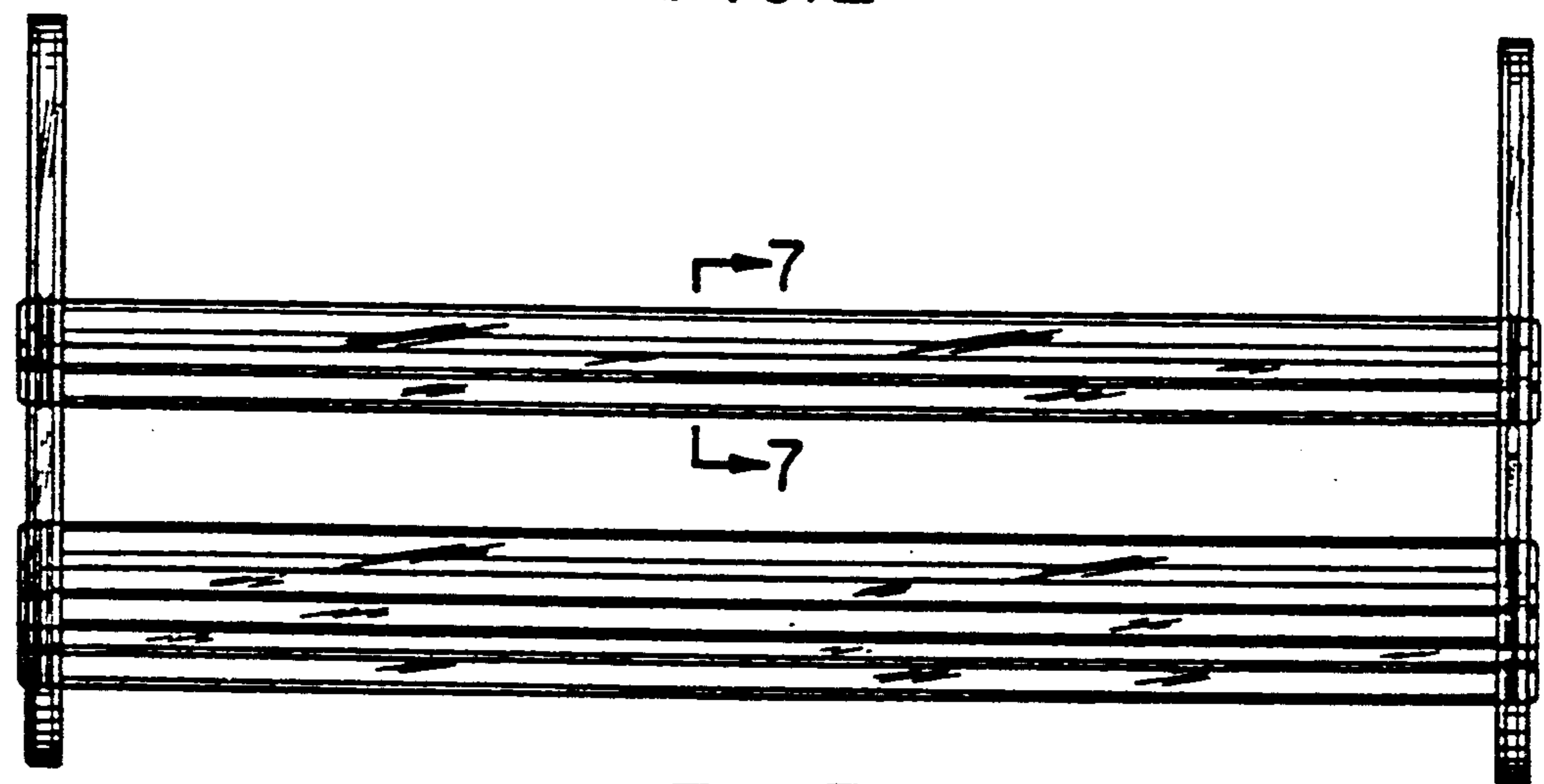


FIG. 3

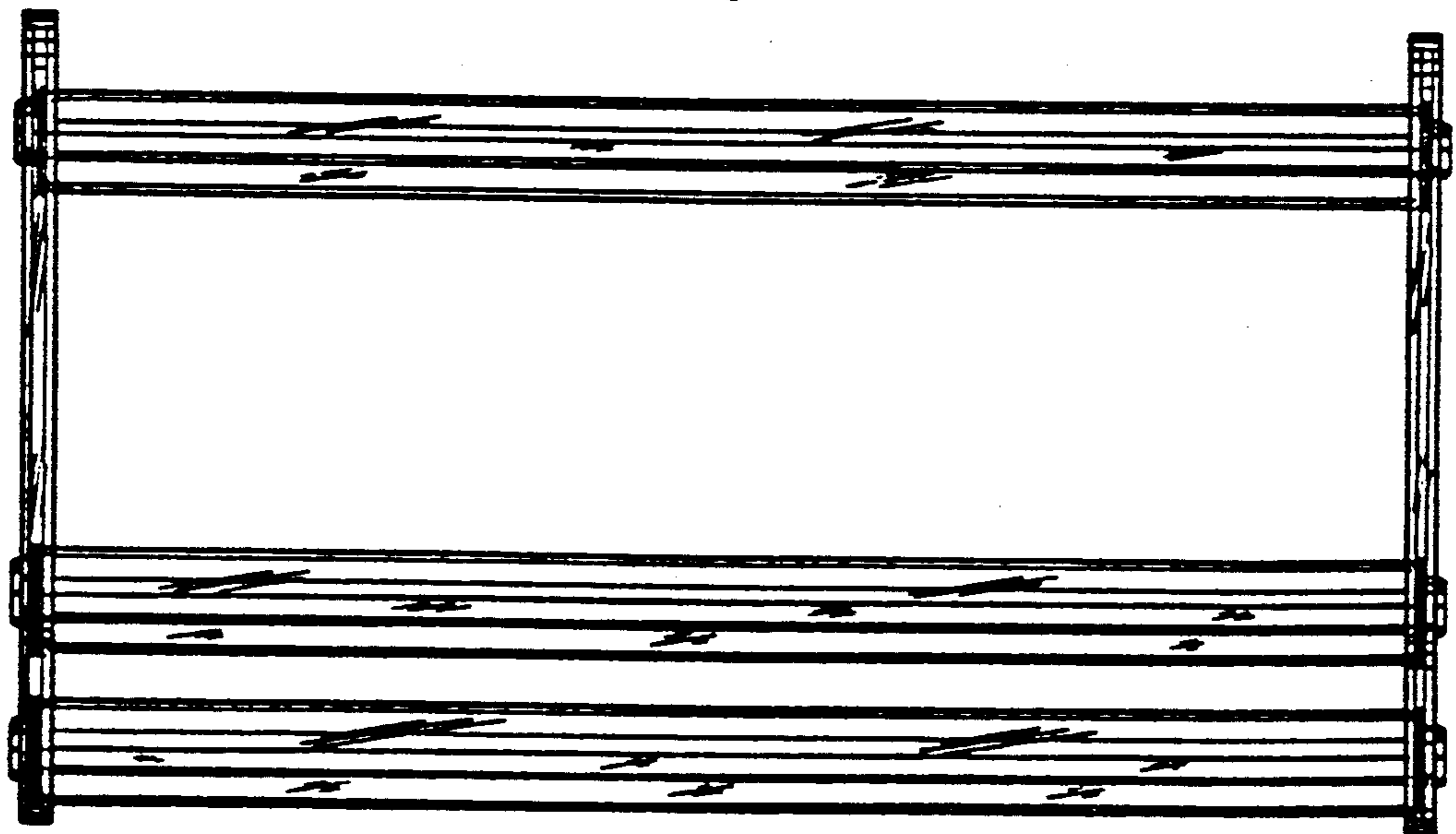


FIG. 4

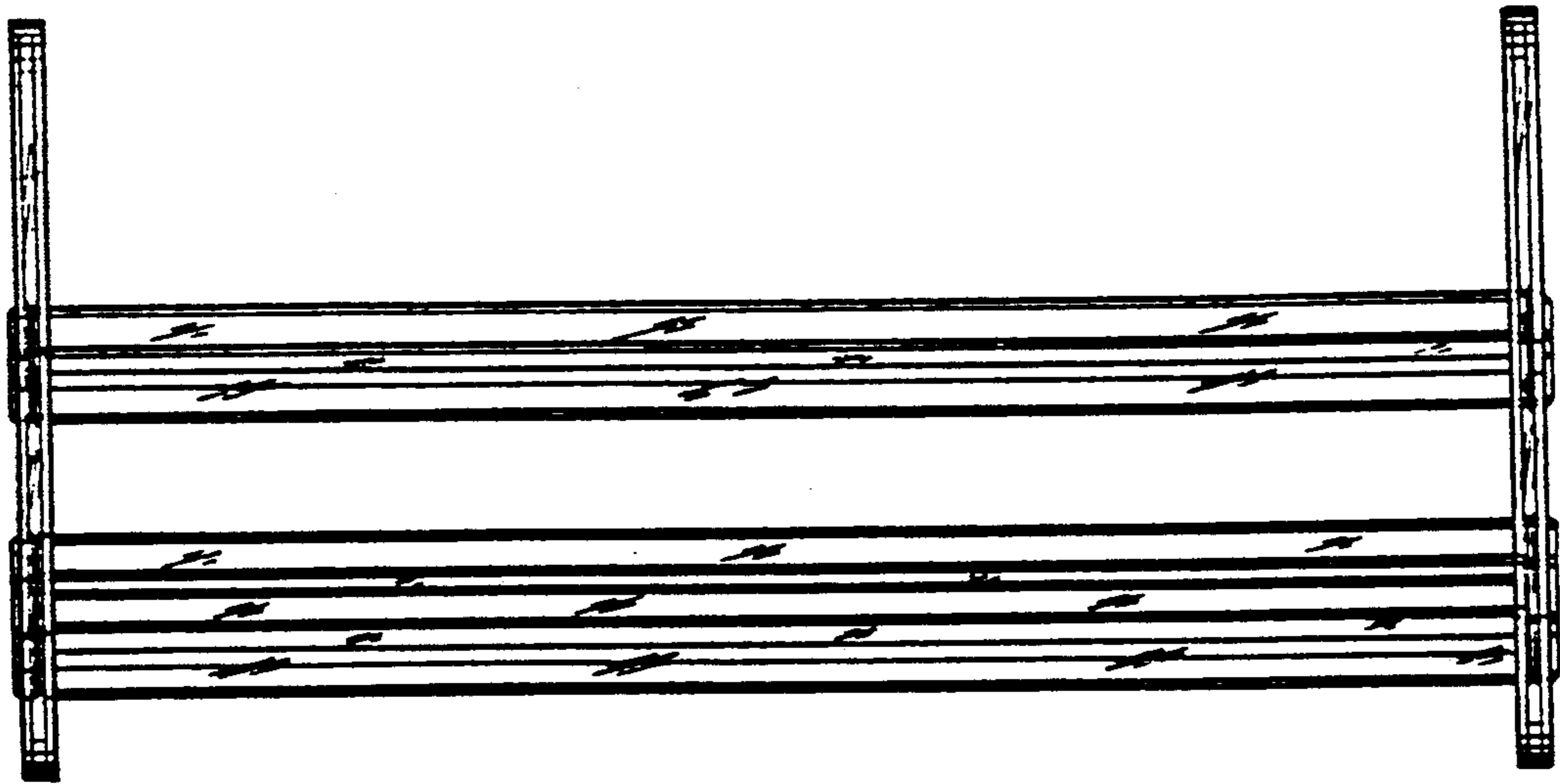


FIG. 5

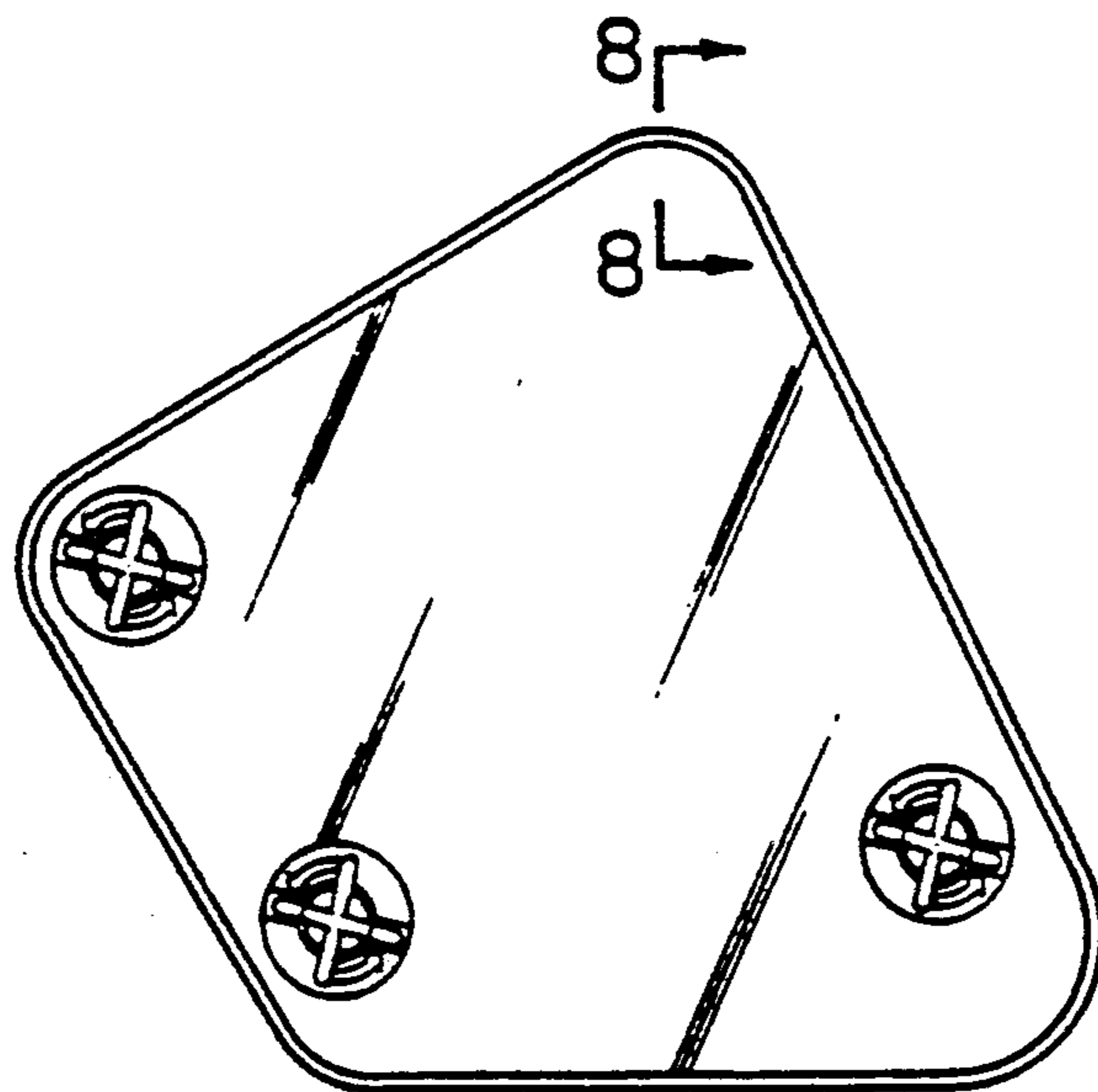


FIG. 6

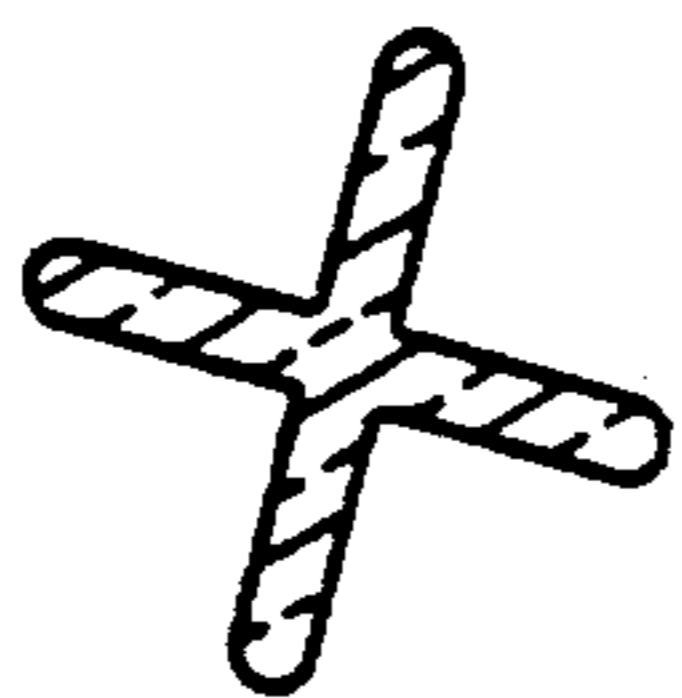


FIG. 7



FIG. 8