

United States Patent [19]

Morris et al.

[11] Patent Number: **Des. 322,716**

[45] Date of Patent: **** Dec. 31, 1991**

[54] **LEVEL CASE**

[75] Inventors: **Robert L. Morris, Manchester; John H. Wilcox, Shaftsbury, both of Vt.**

[73] Assignee: **The Stanley Works, New Britain, Conn.**

[**] Term: **14 Years**

[21] Appl. No.: **427,807**

[22] Filed: **Oct. 27, 1989**

[52] U.S. Cl. **D3/30.1; D3/99; D3/105**

[58] Field of Search **D3/30.1, 38, 78, 99, D3/105; D9/415, 443; 206/315.11, 349; 312/DIG. 33**

[56] **References Cited**

U.S. PATENT DOCUMENTS

D. 157,534	2/1950	Price	D3/30.1
D. 176,052	11/1955	Wiley	D3/38
D. 185,015	4/1959	Mayburn	D3/78
D. 226,407	2/1973	Doman	D3/38
D. 248,217	6/1978	Allen et al.	D9/443
D. 274,767	7/1984	Fuller	D3/30.1

D. 276,285	11/1984	Tober et al.	D3/30.1
D. 293,085	12/1987	Yokoyama	D3/30.1
4,306,601	12/1981	Wallis et al.	206/315.11
4,754,873	7/1988	Rawlings et al.	206/349

FOREIGN PATENT DOCUMENTS

0016519	4/1980	New Zealand	D3/30.1
---------	--------	-------------	-------	---------

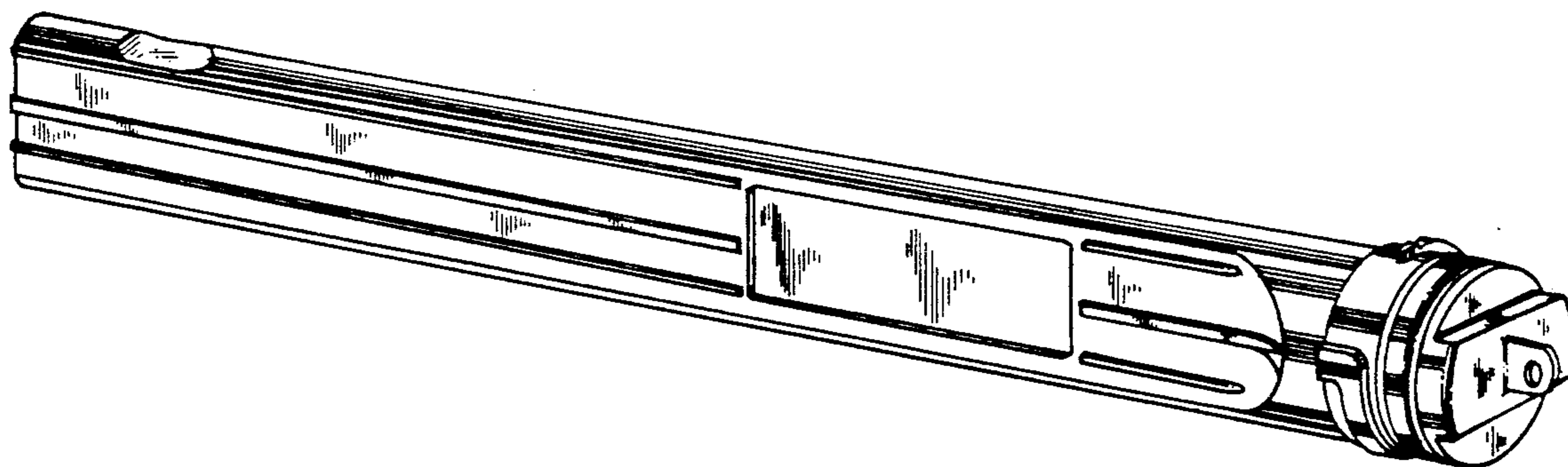
Primary Examiner—A. Hugo Word
Assistant Examiner—Celia A. Murphy
Attorney, Agent, or Firm—Chilton, Alix & Van Kirk

[57] **CLAIM**

The ornamental design for a level case, as shown and described.

DESCRIPTION

FIG. 1 is a perspective view of a level case showing our new design;
FIG. 2 is an enlarged rear elevational view thereof, the fragmentary showing being for ease of illustration;
FIG. 3 is a left side elevational view of FIG. 2;
FIG. 4 is a right side elevational view of FIG. 2;
FIG. 5 is a front elevational view of FIG. 2;
FIG. 6 is a bottom plan view of FIG. 2; and
FIG. 7 is a top plan view of FIG. 2.



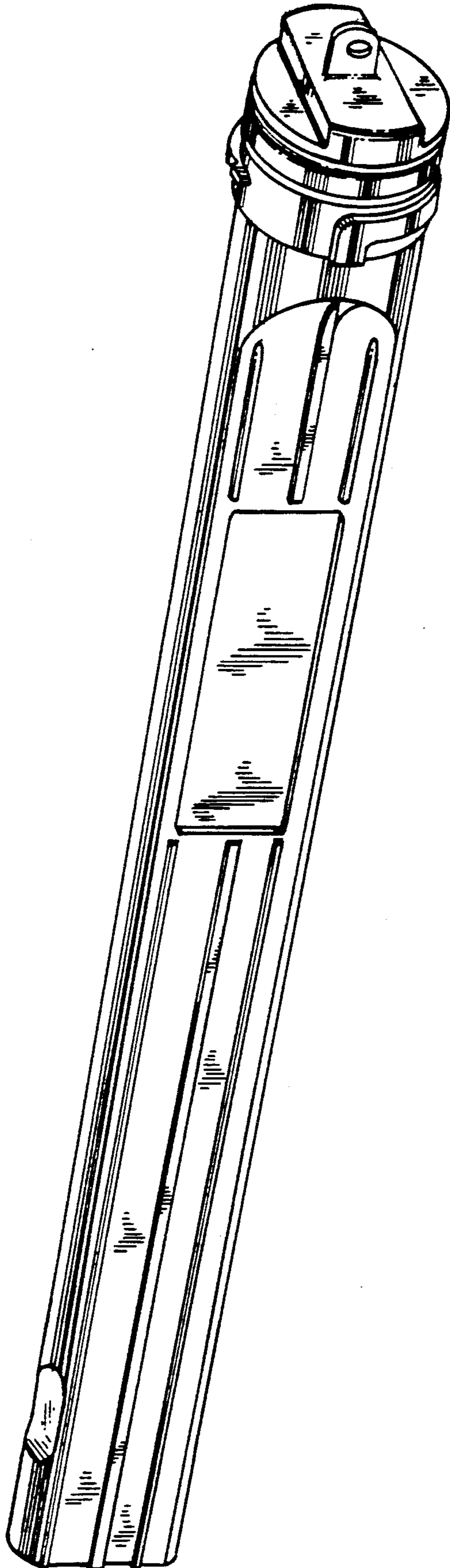


FIG.1

