

[54] **FOLDING CLOTHES RACK**  
 [75] **Inventor: Timothy S. Cassel, Boxborough, Mass.**  
 [73] **Assignee: Tucker Housewares, Inc., Leominster, Mass.**  
 [\*\*] **Term: 14 Years**  
 [21] **Appl. No.: 333,593**  
 [22] **Filed: Apr. 4, 1989**  
 [52] **U.S. Cl. .... D32/58**  
 [58] **Field of Search .... D32/58-60; 34/239-240; 211/195-206; 248/165-166, 439**

4,131,205 12/1978 Malecki ..... 211/200  
 4,239,280 12/1980 Ackerman ..... 297/18  
 4,297,795 11/1981 Licari ..... 34/239  
 4,807,766 2/1989 Compagnucci ..... 211/198

**OTHER PUBLICATIONS**

Fuller Brush Catalog Inc., © 1987, Dryer Rack, Item No. 14473A, p. 20.

*Primary Examiner*—Wallace R. Burke  
*Assistant Examiner*—Lavone D. Tabor  
*Attorney, Agent, or Firm*—Darby & Darby

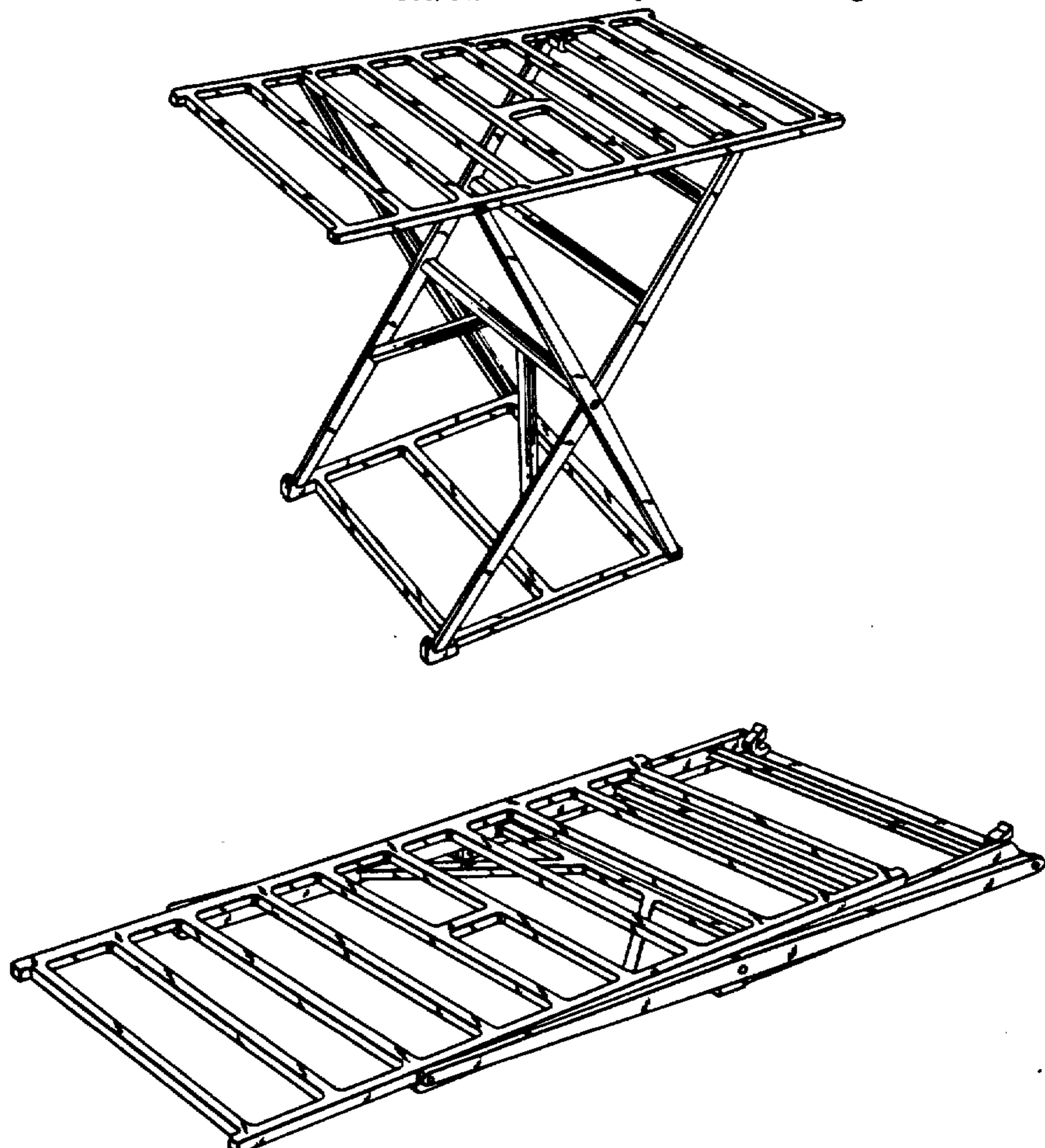
[57] **CLAIM**

The ornamental design for a folding clothes rack, as shown and described.

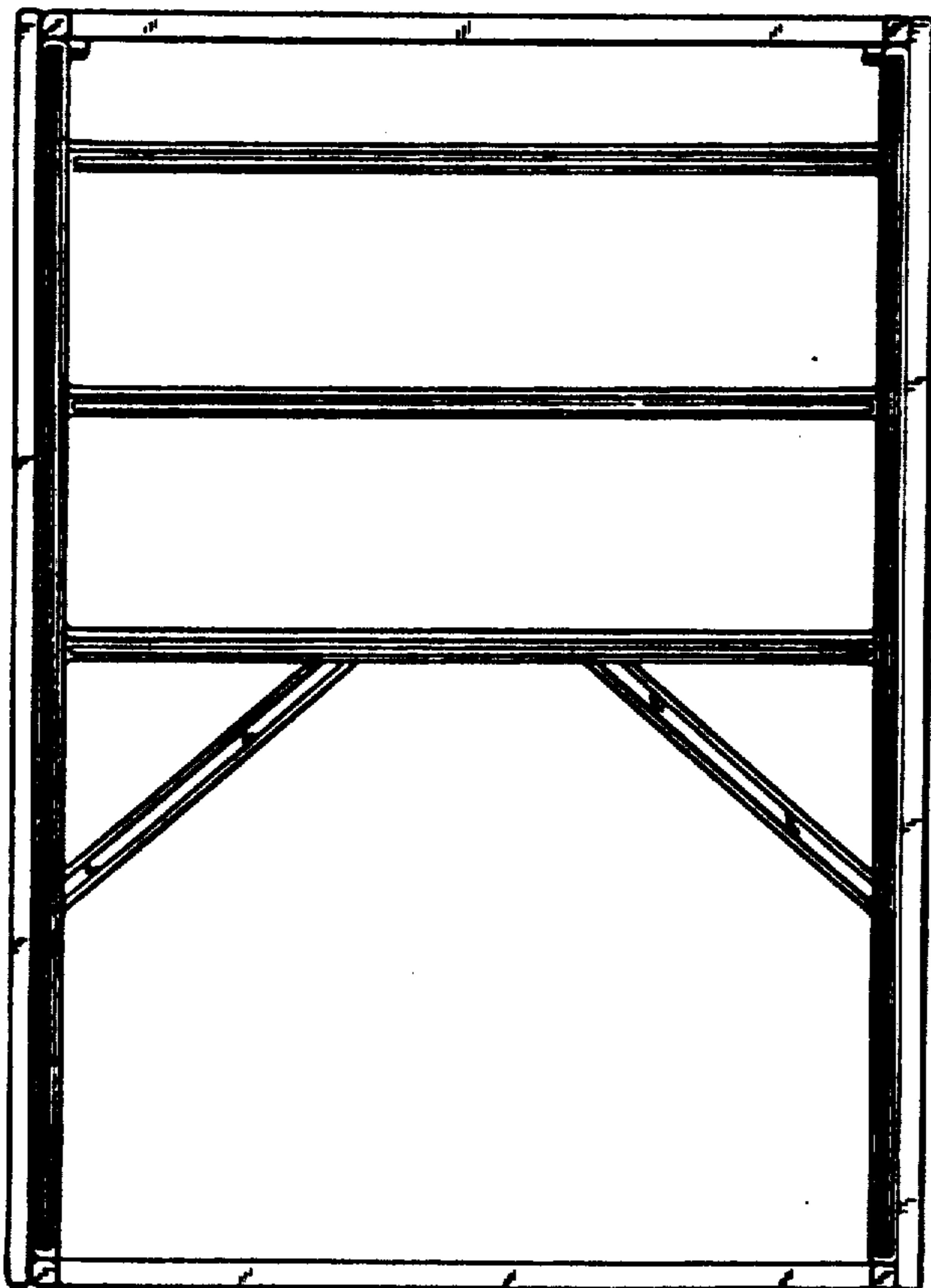
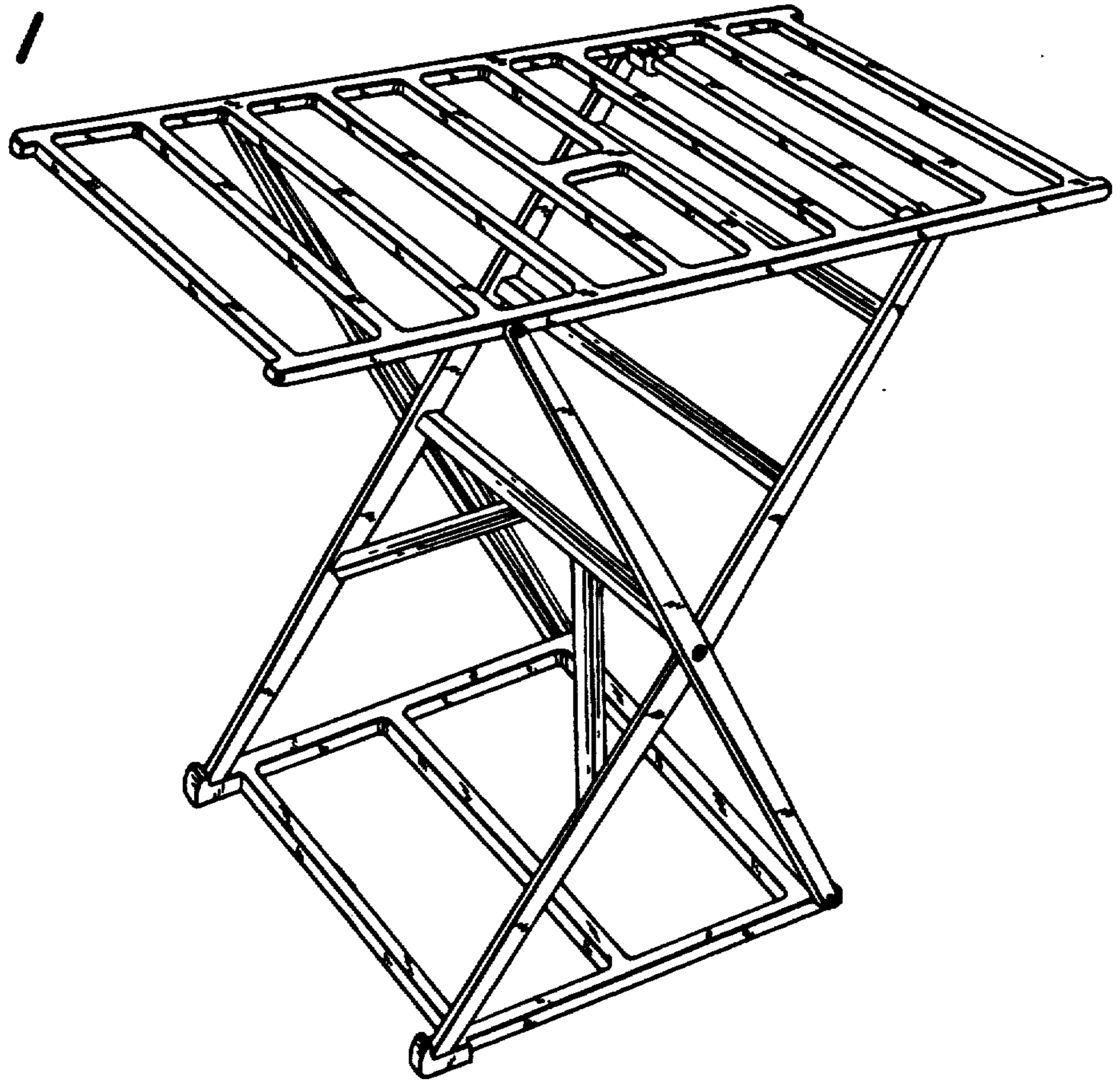
[56] **References Cited**  
**U.S. PATENT DOCUMENTS**  
 31,538 2/1861 Frazee ..... 211/202  
 209,121 10/1878 Heaton ..... 211/200  
 263,945 9/1882 Nelly ..... 211/200  
 1,021,976 4/1912 Ferry ..... 211/198  
 1,106,418 8/1914 Sprunger ..... 211/198 X  
 1,462,615 7/1923 Noble ..... 211/200 X  
 2,084,854 6/1937 McCarthy ..... 34/17  
 2,269,425 1/1942 Bitney ..... 211/198  
 2,274,772 3/1942 Bitney ..... 211/202 X  
 2,445,403 7/1948 Mayerman ..... 34/163  
 2,624,469 1/1953 Cadwell et al. .... 211/149

**DESCRIPTION**

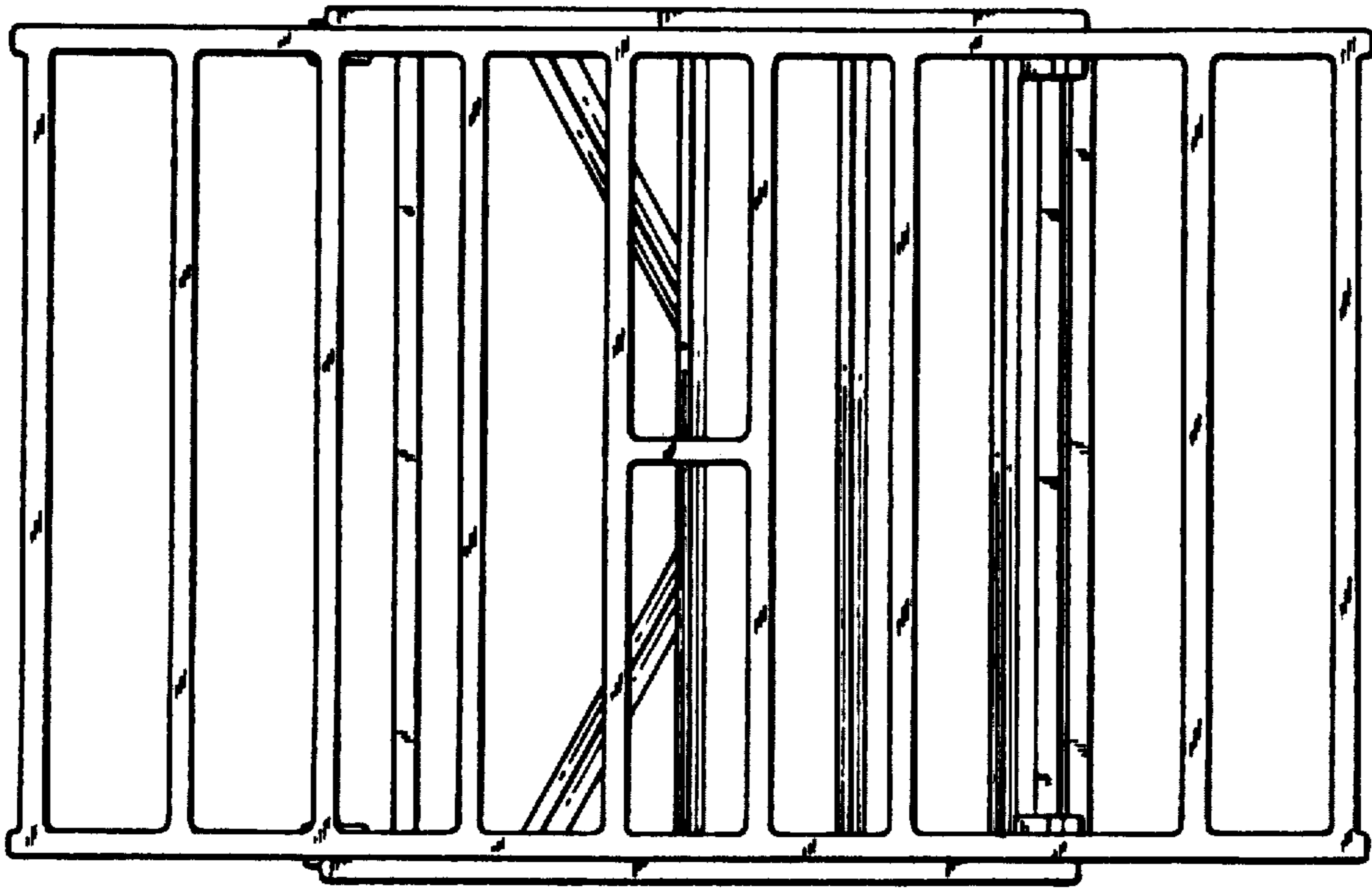
FIG. 1 is a perspective view of a folding clothes rack, showing my new design;  
 FIG. 2 is a top plan view thereof;  
 FIG. 3 is a front elevational view thereof;  
 FIG. 4 is a side elevational view thereof, the opposite side being a mirror image;  
 FIG. 5 is a rear elevational view thereof;  
 FIG. 6 is a bottom plan view thereof; and  
 FIG. 7 is a perspective view thereof, shown in the folded position for storage.



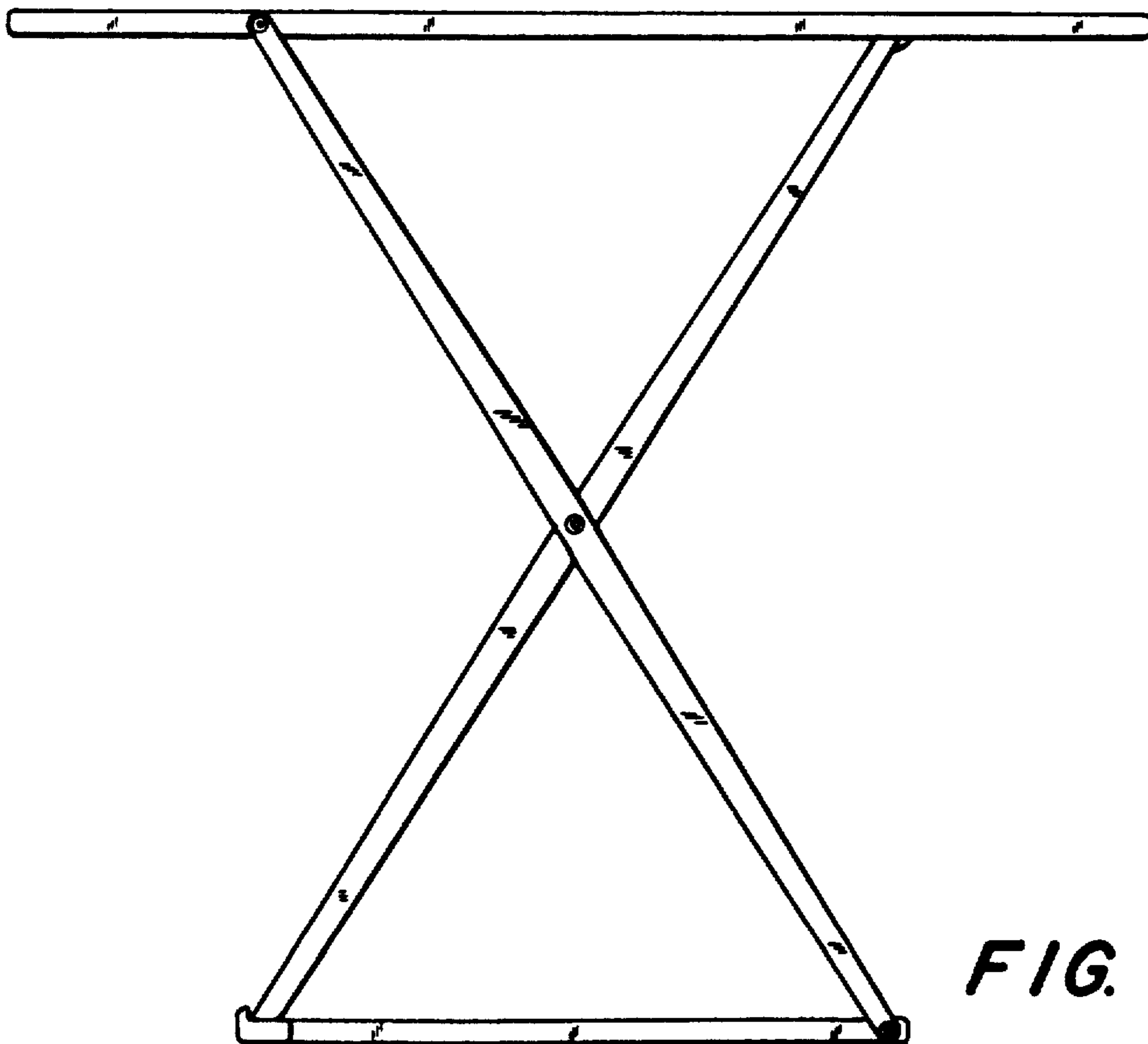
*FIG. 1*



*FIG. 4*



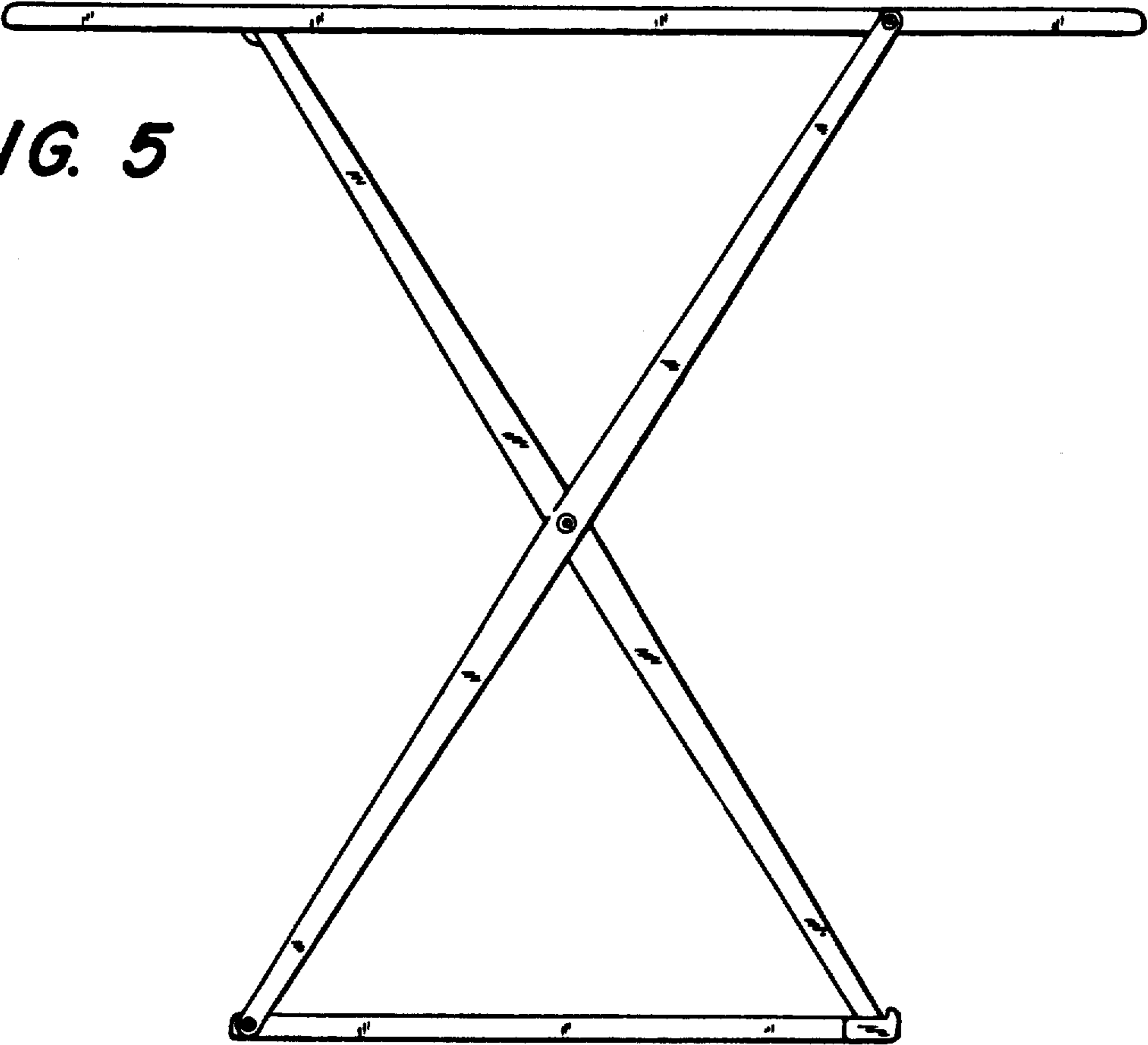
**FIG. 2**



**FIG. 3**



**FIG. 5**



**FIG. 6**

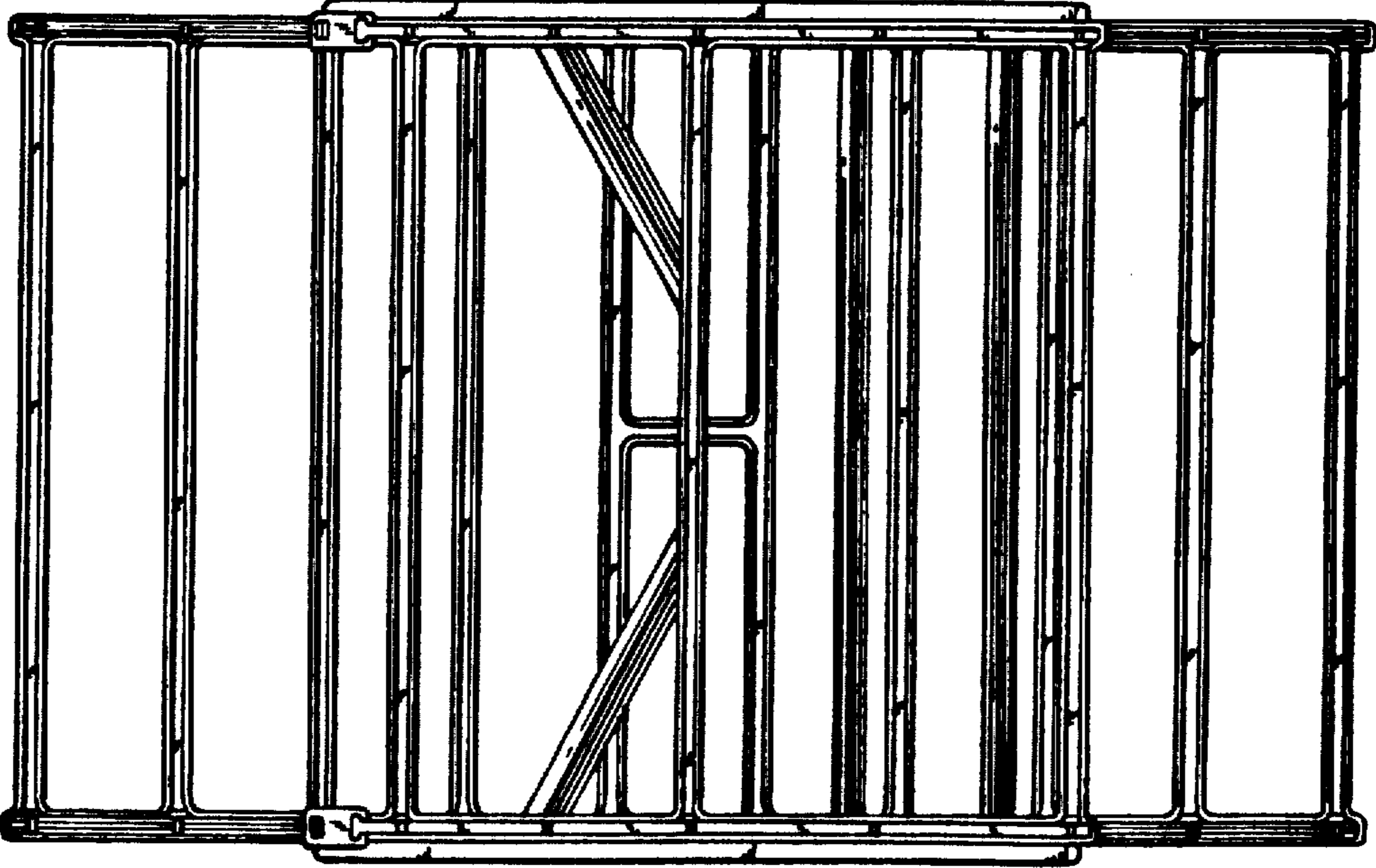


FIG. 7

