

[54] **COSMETIC CASE**

[76] **Inventor: Roberto Trabattoni, Route du Pont-Butin 70, 1213 Petit-Lancy, Switzerland**

[\*\*] **Term: 14 Years**

[21] **Appl. No.: 298,499**

[22] **Filed: Jan. 18, 1989**

[30] **Foreign Application Priority Data**

Jul. 19, 1988 [IB] Int'l Pat. Institute ..... DM/011 377

[52] **U.S. Cl. .... D28/83**

[58] **Field of Search .... D28/78-83;**  
D3/39; D9/420, 423, 432; 206/235, 581, 823;  
220/D16, 26; 132/286, 293, 295-306, 315

[56] **References Cited**

**U.S. PATENT DOCUMENTS**

D. 105,848 8/1937 Dunberg ..... D28/83

D. 275,134 8/1984 Rossetti et al. .... D28/80  
D. 287,169 12/1986 Trabattoni ..... D28/83  
D. 298,470 11/1988 Filiz et al. .... D28/82  
2,491,426 12/1949 Tomoschat ..... 220/DIG. 26 X

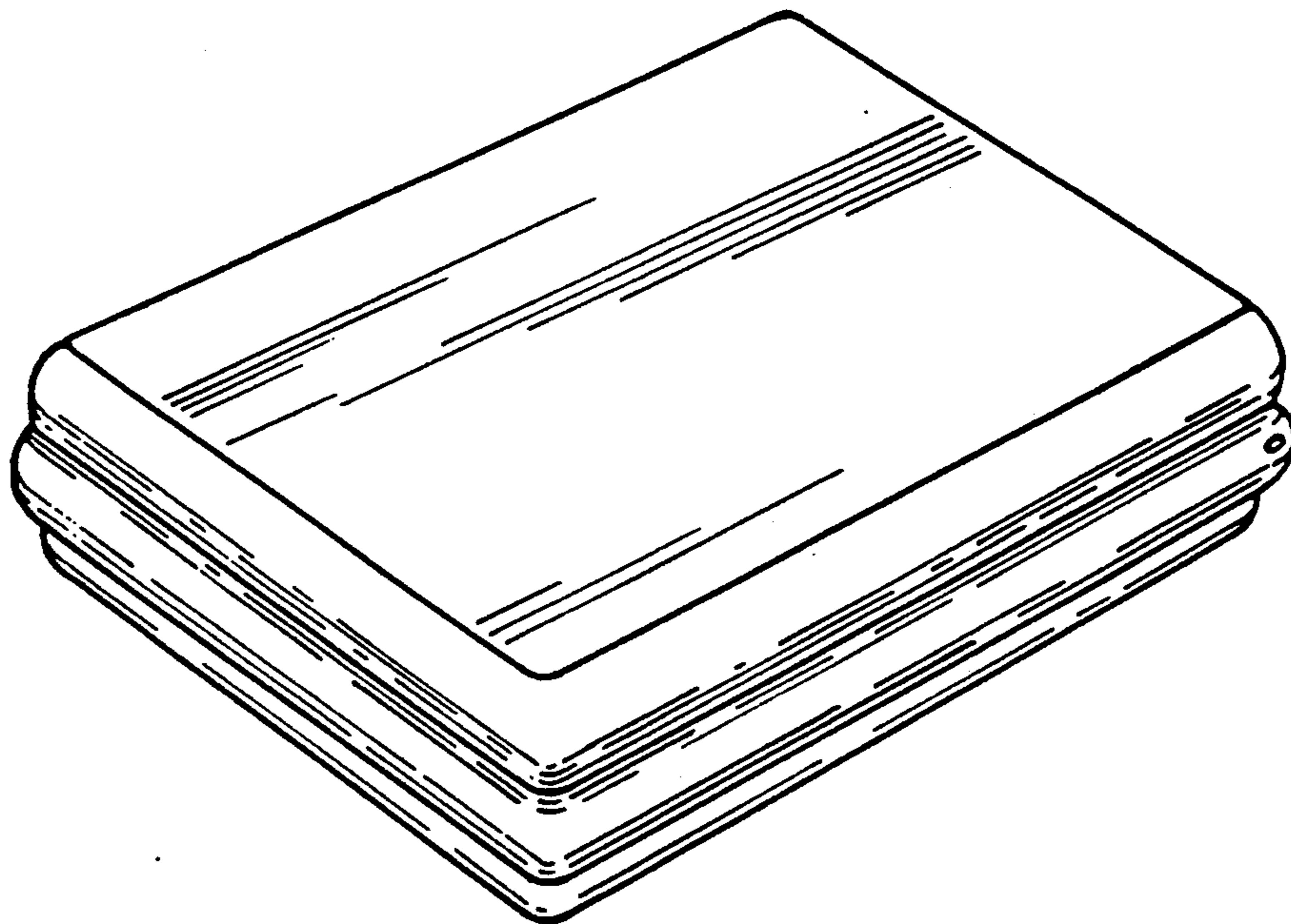
*Primary Examiner*—Bernard Ansher  
*Assistant Examiner*—C. Tuttle  
*Attorney, Agent, or Firm*—Robert E. Burns; Emmanuel J. Lobato

[57] **CLAIM**

The ornamental design for a cosmetic case, as shown.

**DESCRIPTION**

FIG. 1 is a top perspective view of a cosmetic case showing my new design;  
FIG. 2 is a front elevational view thereof;  
FIG. 3 is a top plan view thereof;  
FIG. 4 is a rear elevational view thereof;  
FIG. 5 is a side elevational view thereof, the opposite side being a mirror image of the side shown.  
The bottom of the case is flat, plan and unornamented.



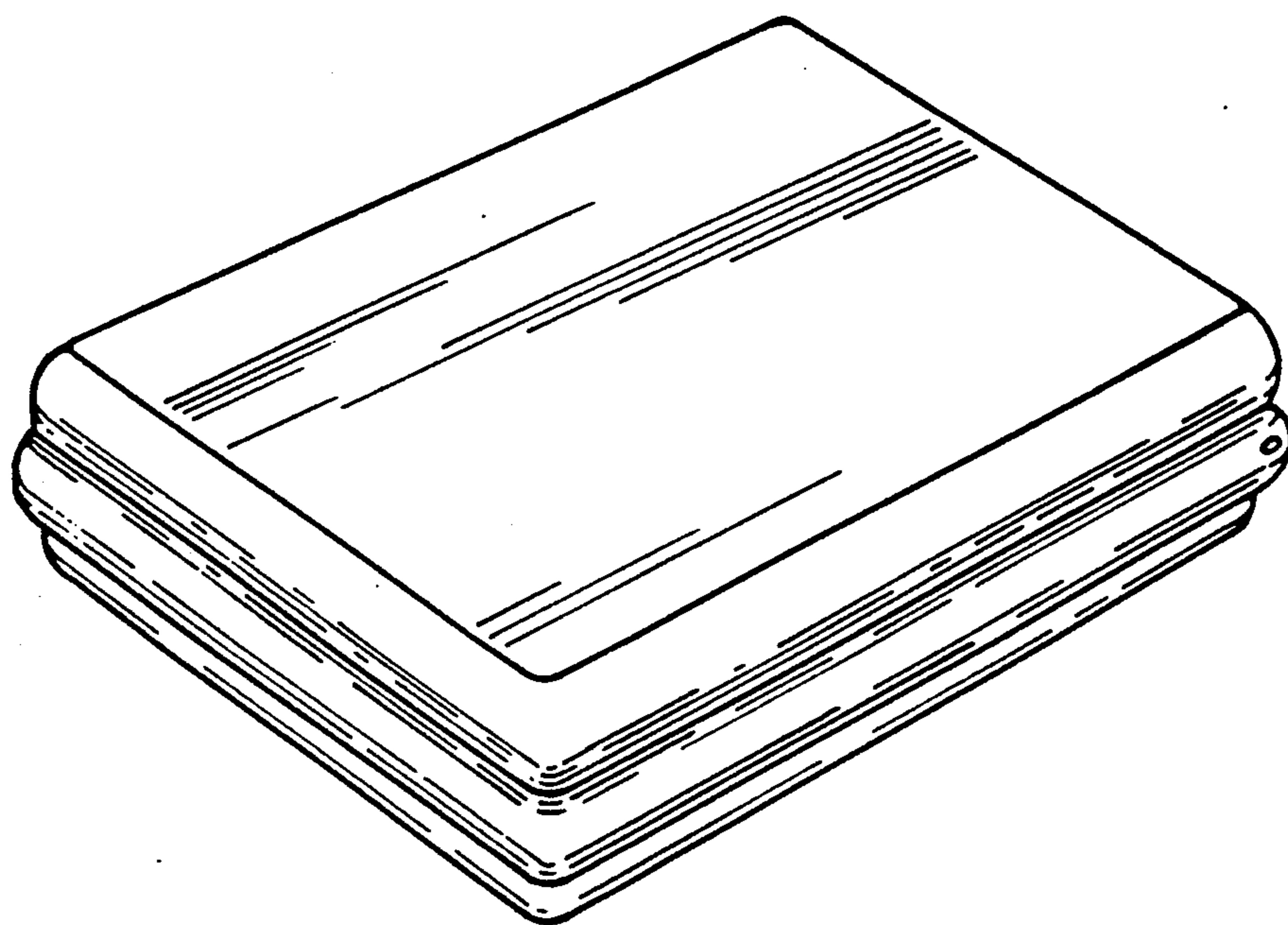


FIG. 1

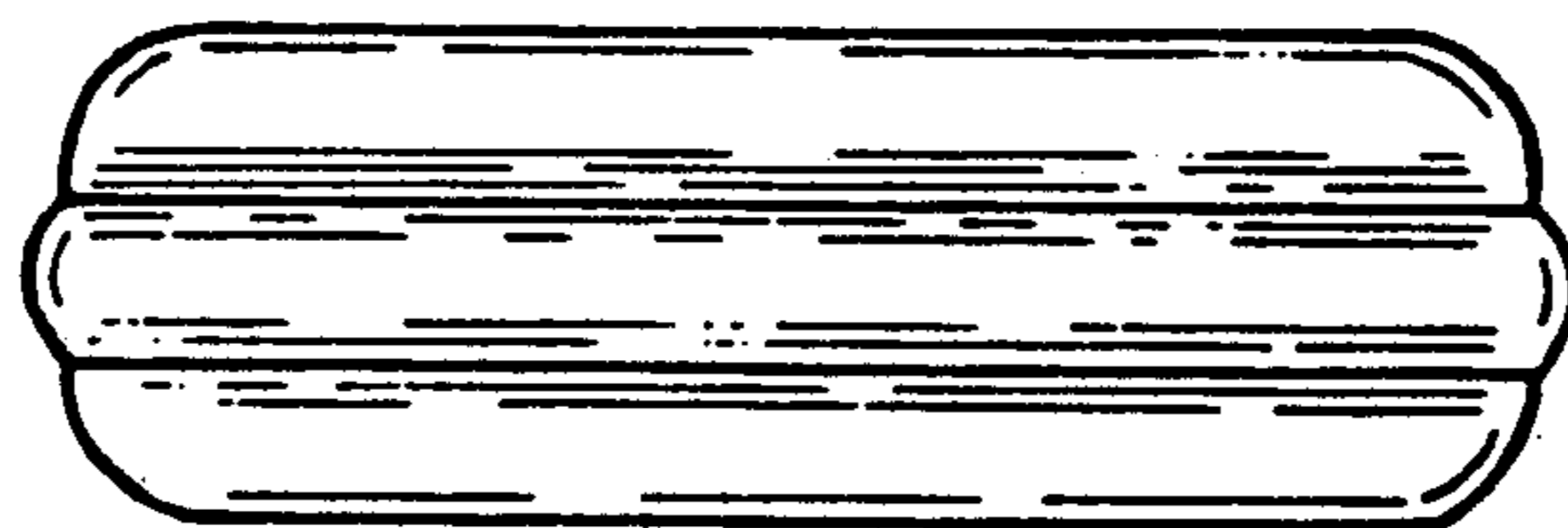


FIG. 2

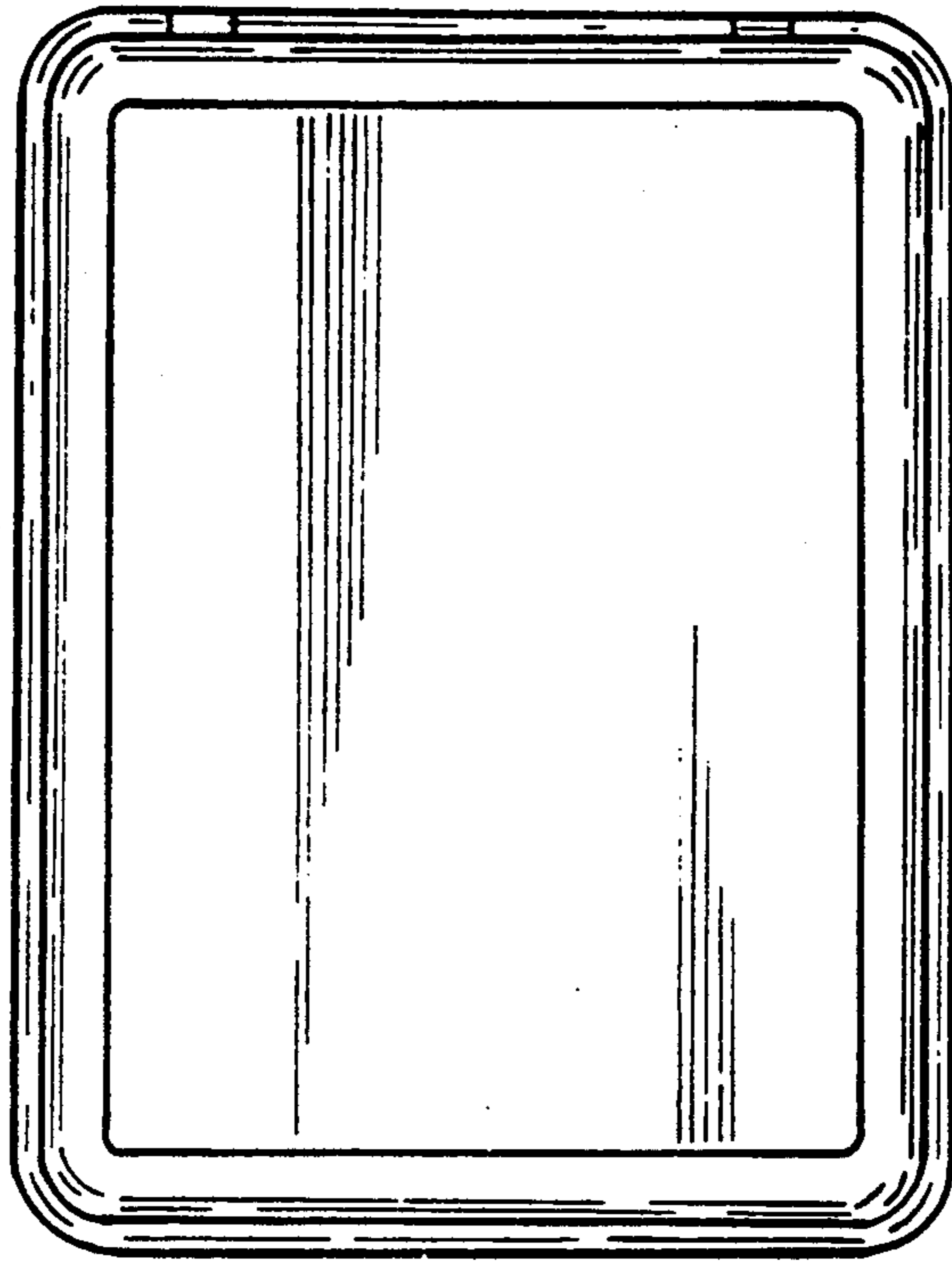


FIG. 3

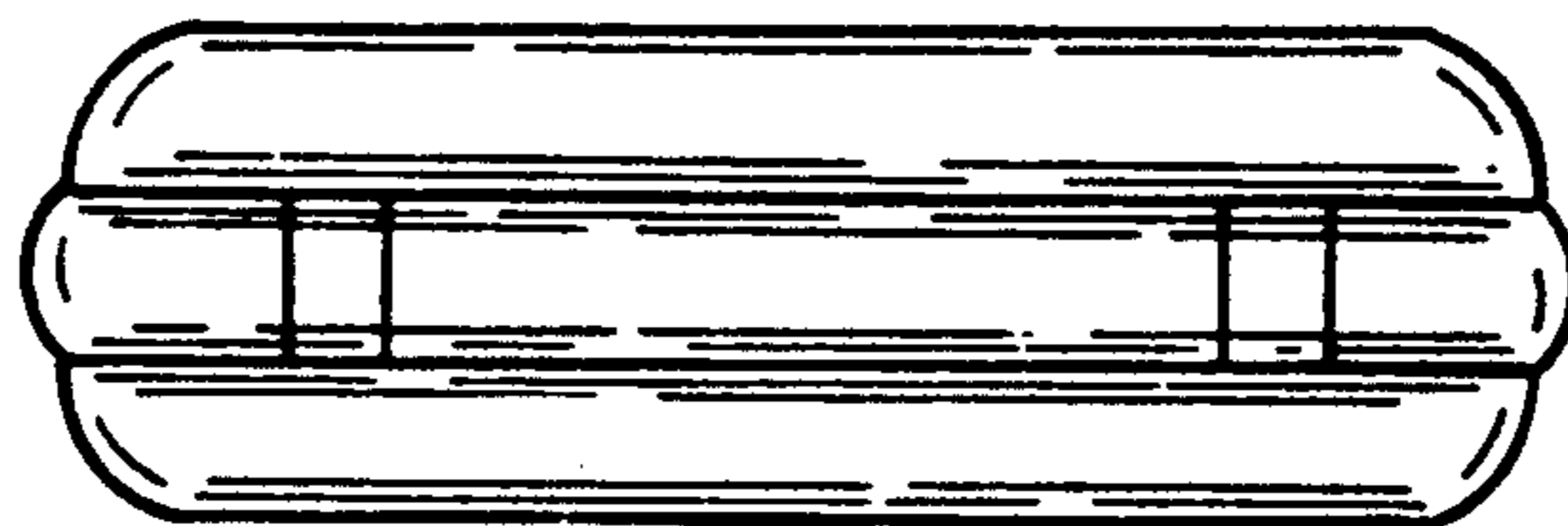


FIG. 4

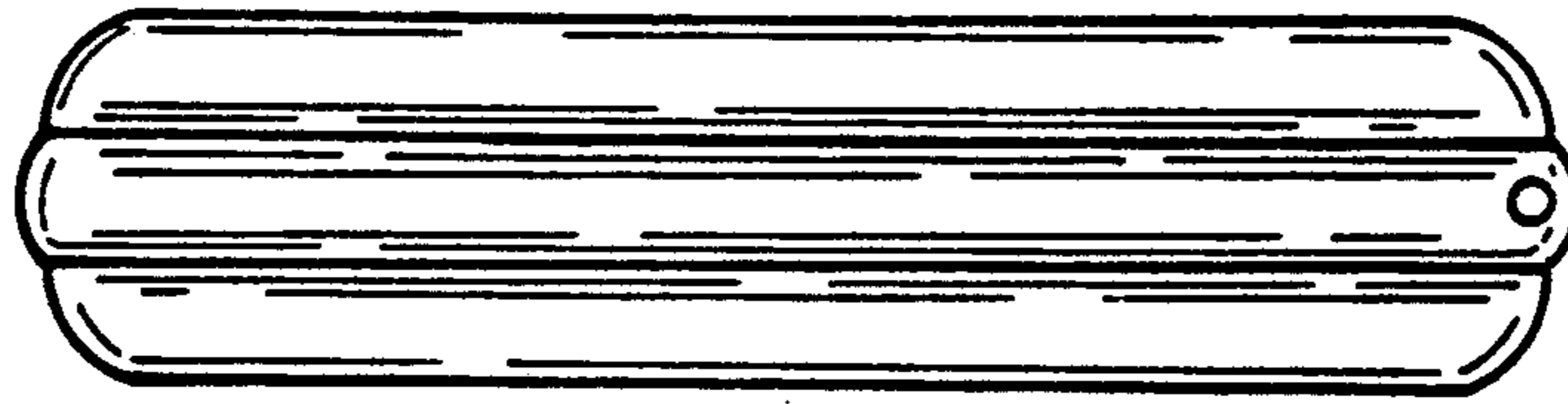


FIG. 5