

United States Patent [19]

Jacobson et al.

[11] Patent Number: Des. 322,689

[45] Date of Patent: ** Dec. 24, 1991

[54] **RAZOR BLADE CARTRIDGE**

[75] Inventors: **Chester F. Jacobson**, Southboro;
Frederick R. Borden, Brockton, both
of Mass.

[73] Assignee: **The Gillette Company**, Boston, Mass.

[**] Term: **14 Years**

[21] Appl. No.: **386,135**

[22] Filed: **Jul. 28, 1989**

[52] U.S. Cl. **D28/47**

[58] Field of Search **D28/44, 45, 46, 47,**
D28/48; 30/32, 34.1, 41, 47, 51, 84, 85, 86

[56] **References Cited**

U.S. PATENT DOCUMENTS

D. 224,479 7/1972 Perry D28/47
D. 224,852 9/1972 Dorion D28/47
D. 243,638 3/1977 Poisson D28/47
D. 290,050 5/1987 Jacobson D28/47

D. 298,068 10/1988 Gilder D28/47
4,335,508 6/1982 Francis et al. 30/47
4,378,633 4/1983 Jacobson 30/47
4,486,952 12/1984 Trotta 30/47
4,498,235 2/1985 Jacobson 30/47
4,574,476 3/1986 Ortiz 30/47

Primary Examiner—Bernard Ansher

Assistant Examiner—Philip Hyder

[57] **CLAIM**

The ornamental design for a razor blade cartridge, as shown and described.

DESCRIPTION

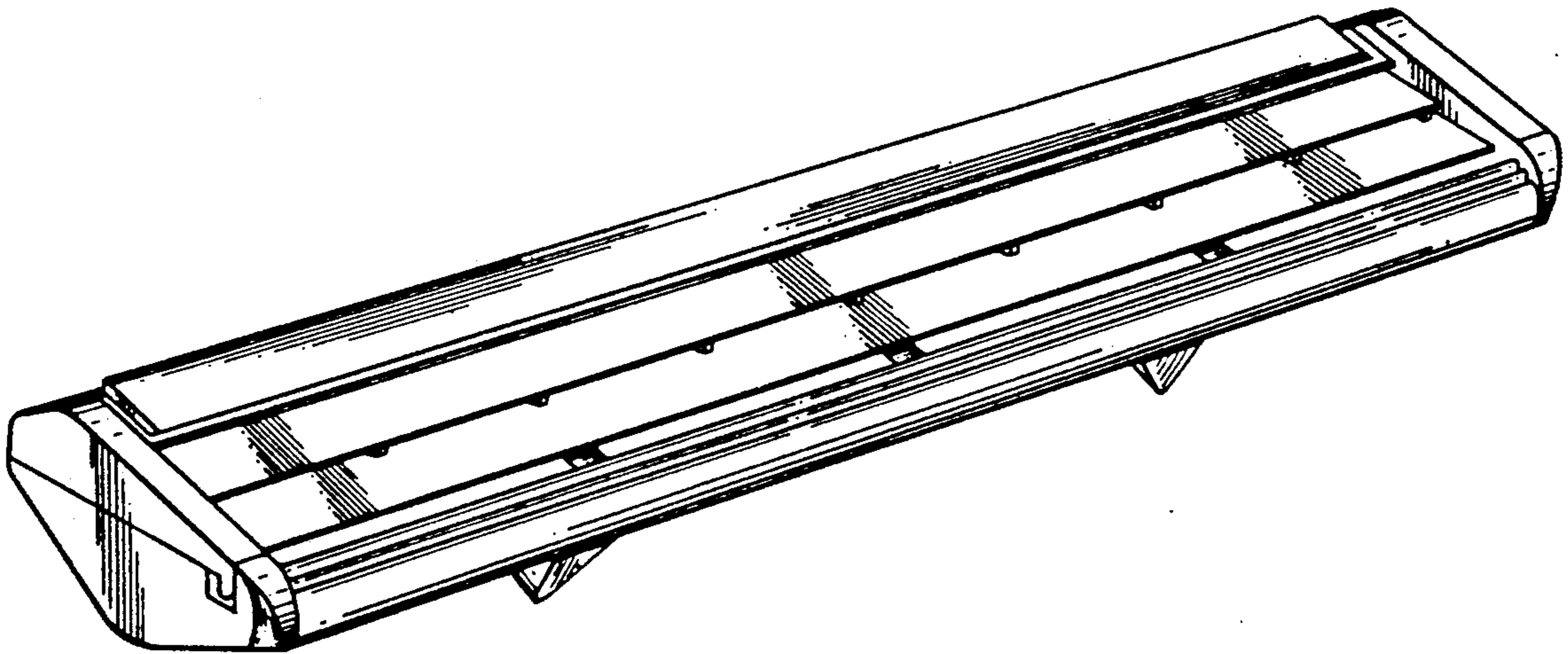
FIG. 1 is a top plan view of a razor blade cartridge showing our new design;

FIG. 2 is a side elevational view thereof, the opposite side being a mirror image;

FIG. 3 is a front elevational view thereof;

FIG. 4 is a rear elevational view thereof; and

FIG. 5 is a perspective view thereof.



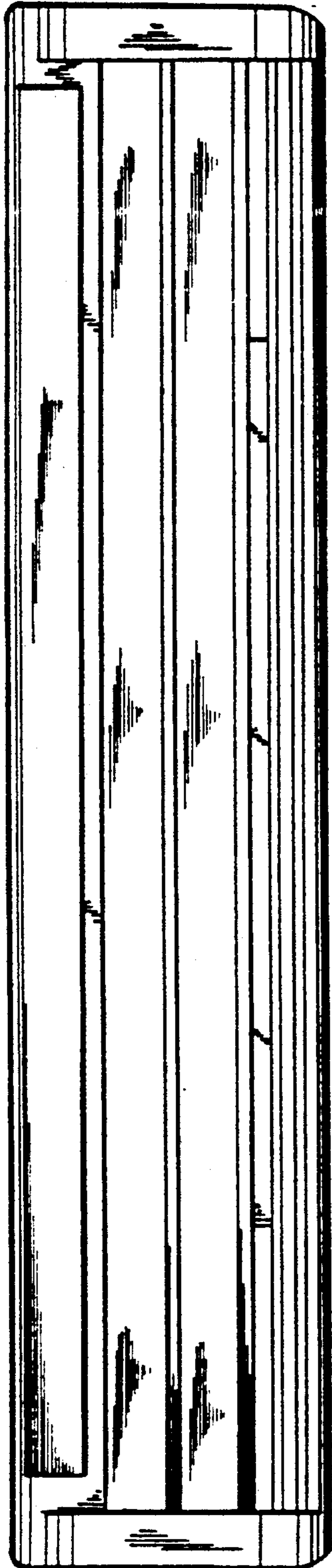


FIG. 1

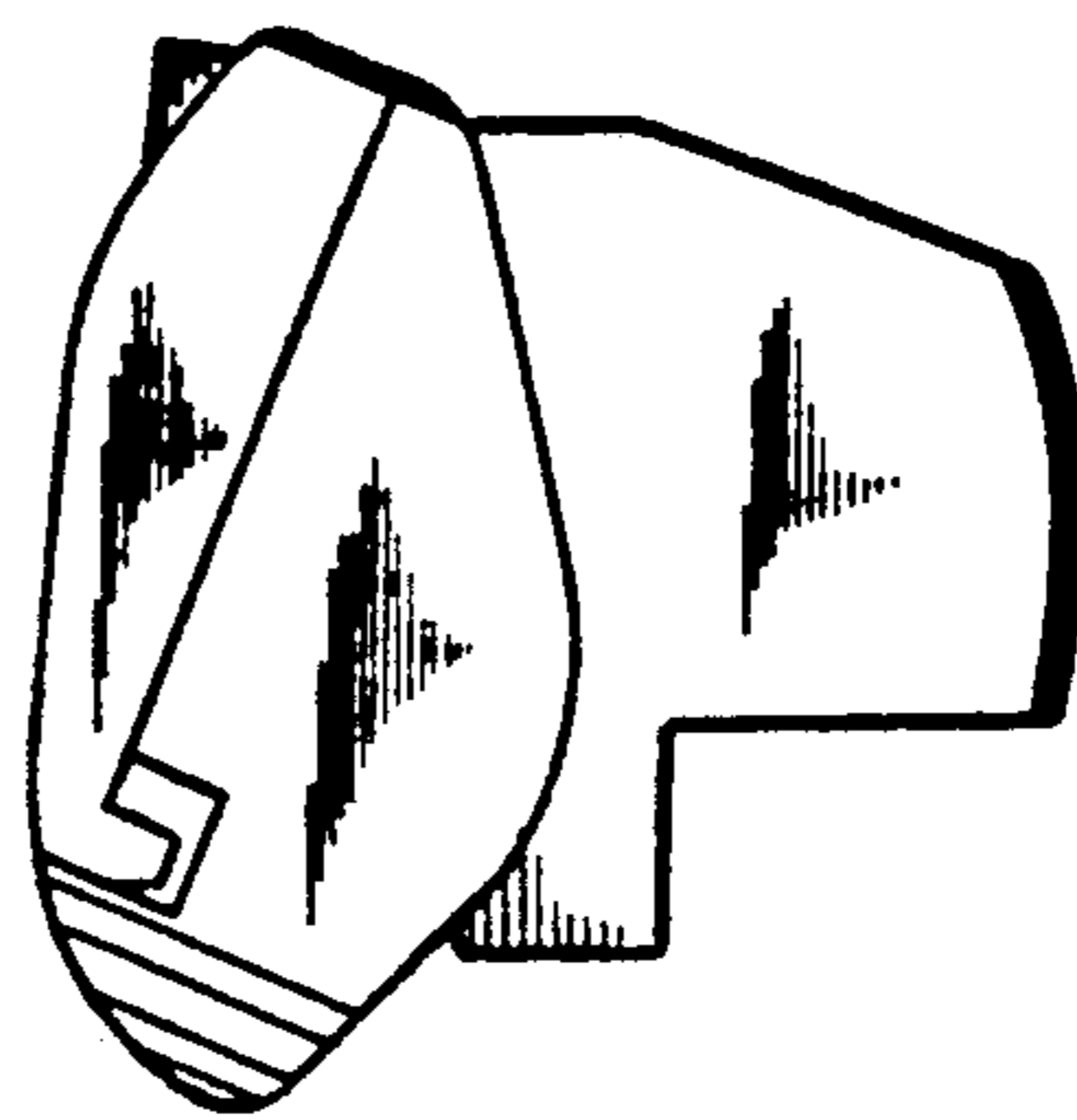


FIG. 2

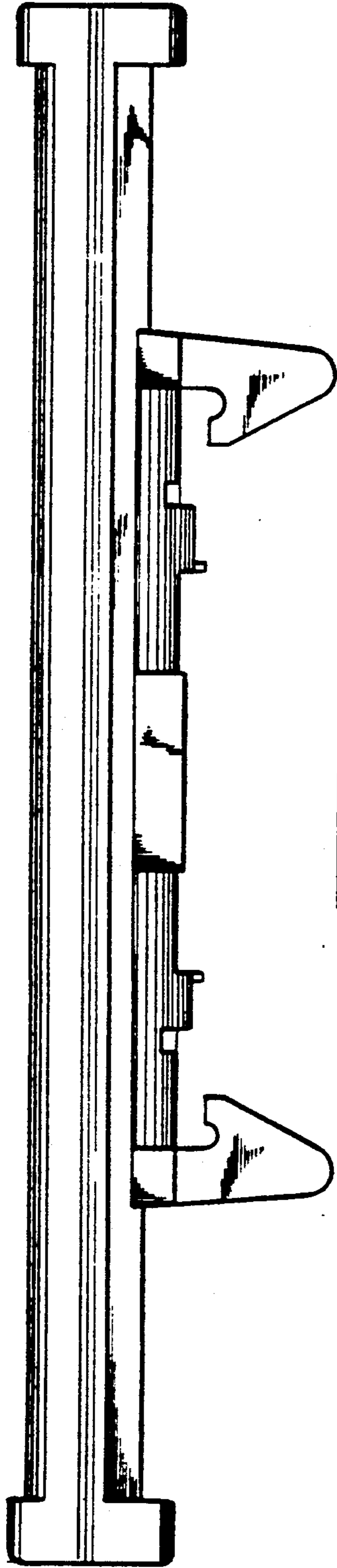


FIG. 3

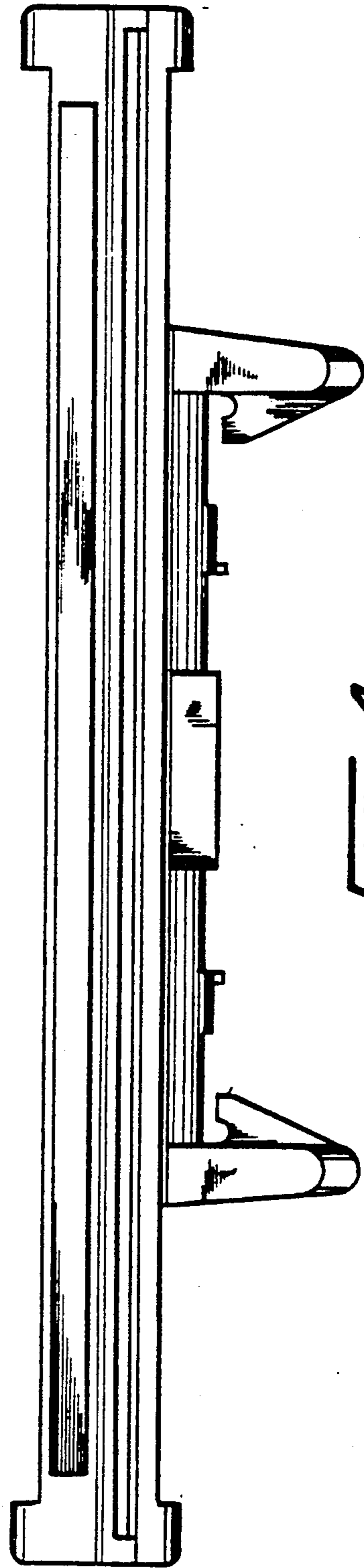


FIG. 4

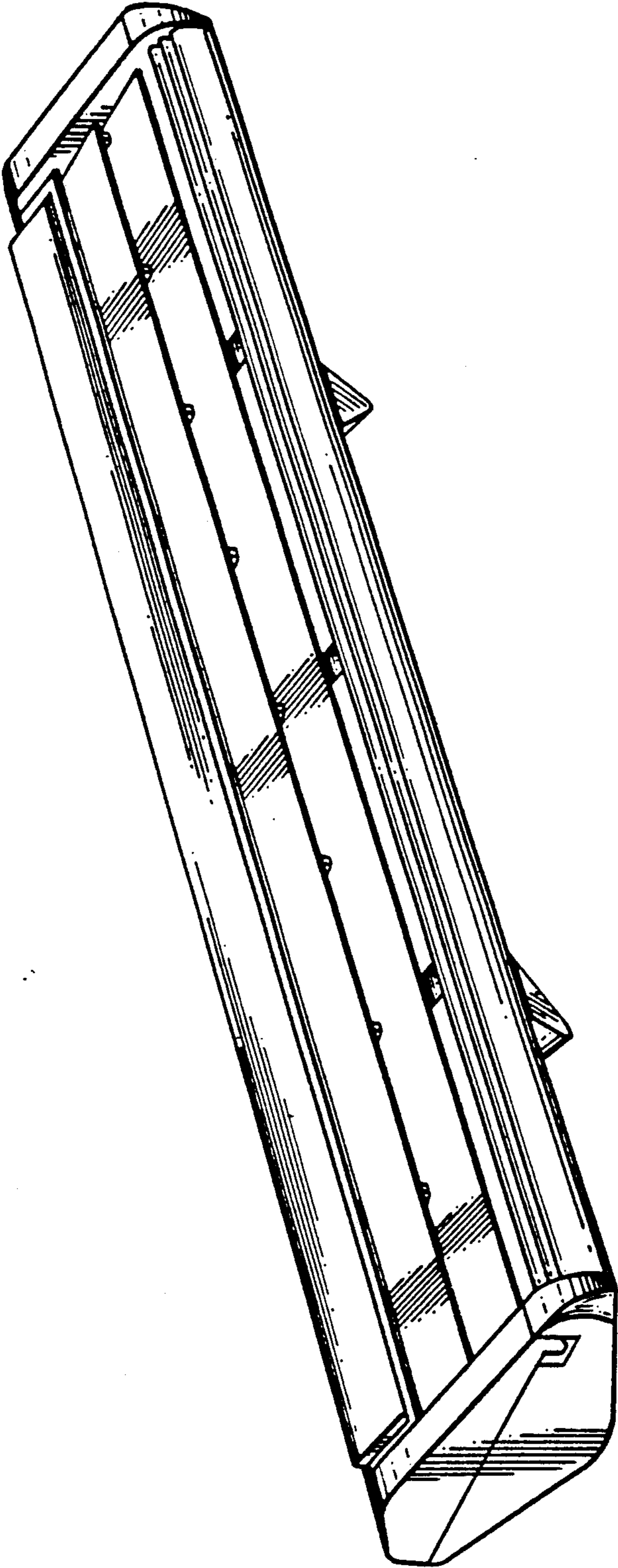


Fig. 5