

[54] ADJUSTABLE LAMP

[76] Inventor: Chiung-tang Cheng, 5/F, No. 6, Lane 19, Huan-he Road, Hsin-tien City, Taiwan

[**] Term: 14 Years

[21] Appl. No.: 515,141

[22] Filed: Apr. 26, 1990

[52] U.S. Cl. D26/65

[58] Field of Search D26/60-66; 362/410-414, 418, 419, 428, 269, 275, 287, 401, 402

[56] References Cited

U.S. PATENT DOCUMENTS

D. 71,128	9/1926	Brady	D26/63
D. 302,735	8/1989	De Lucchi	D26/65
D. 302,865	8/1989	Klier	D26/63
D. 303,580	9/1989	Kyricos	D26/65
D. 303,848	10/1989	Bianchi	D26/65

D. 310,728	9/1990	Lu	D26/65
D. 313,083	12/1990	Huang	D26/65

OTHER PUBLICATIONS

Design, 5-1986, p. 35, Elysee Halogen Floor Lamp.

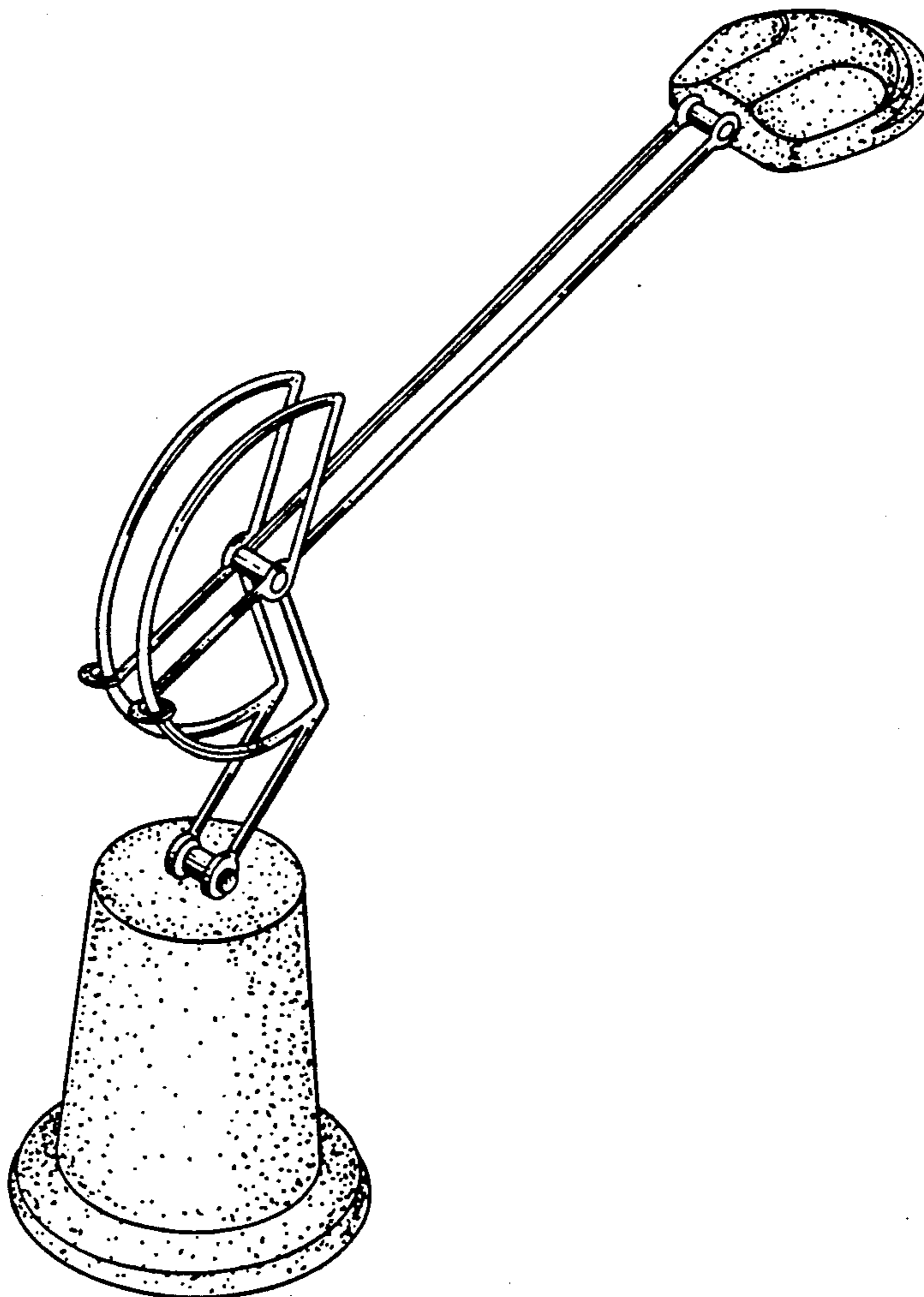
Primary Examiner—Susan J. Lucas
Attorney, Agent, or Firm—Armstrong, Nikaido, Marmelstein, Kubovcik & Murray

[57] CLAIM

The ornamental design for adjustable lamp, as shown and described.

DESCRIPTION

FIG. 1 is a top, front, left side perspective view of an adjustable lamp showing my new design; FIG. 2 is a top plan view thereof; FIG. 3 is a front elevational view thereof; FIG. 4 is a bottom plan view thereof; FIG. 5 is a rear elevational view thereof; FIG. 6 is a left side elevational view thereof; FIG. 7 is a right side elevational view thereof.



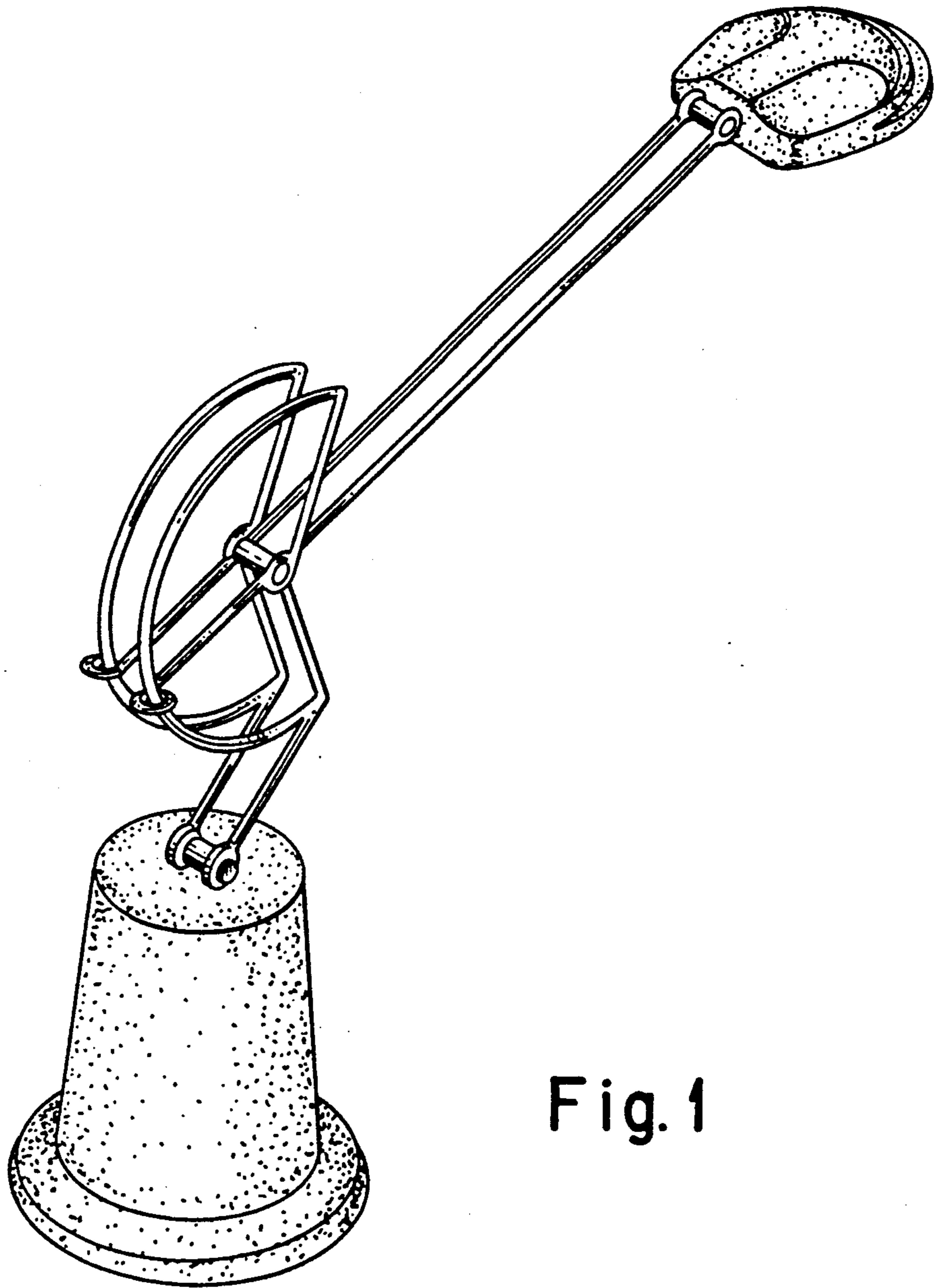


Fig. 1

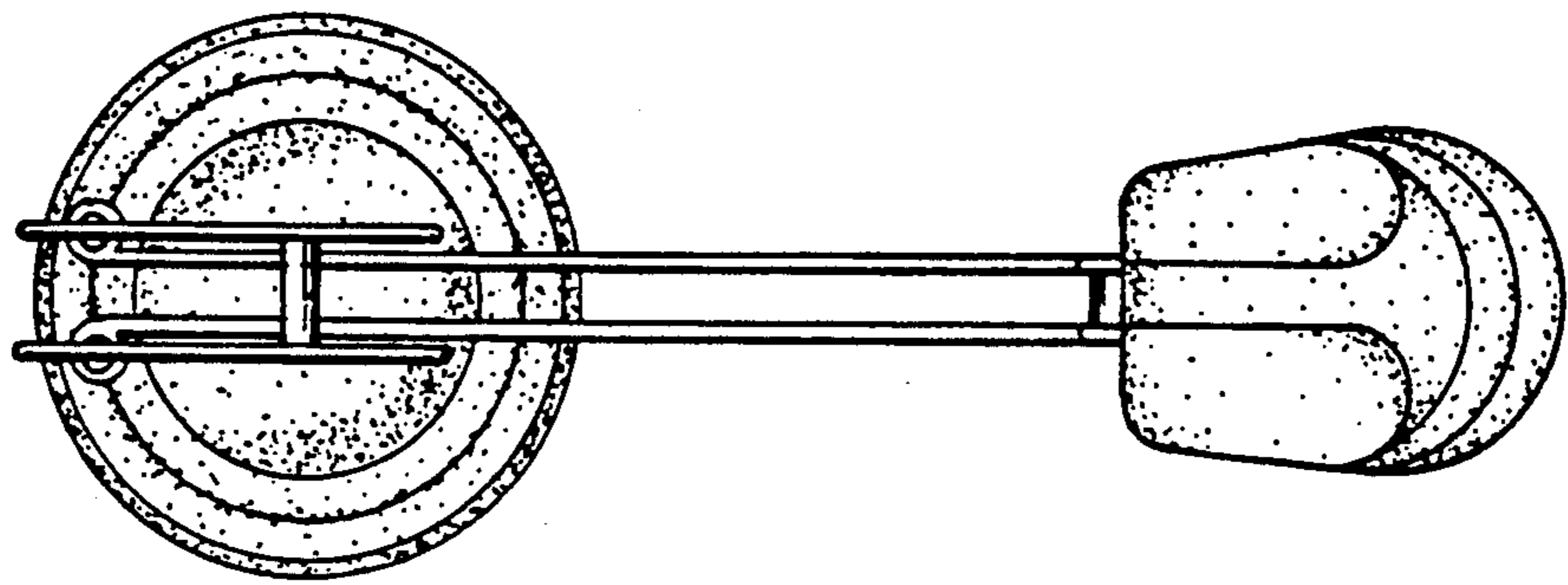


Fig. 2

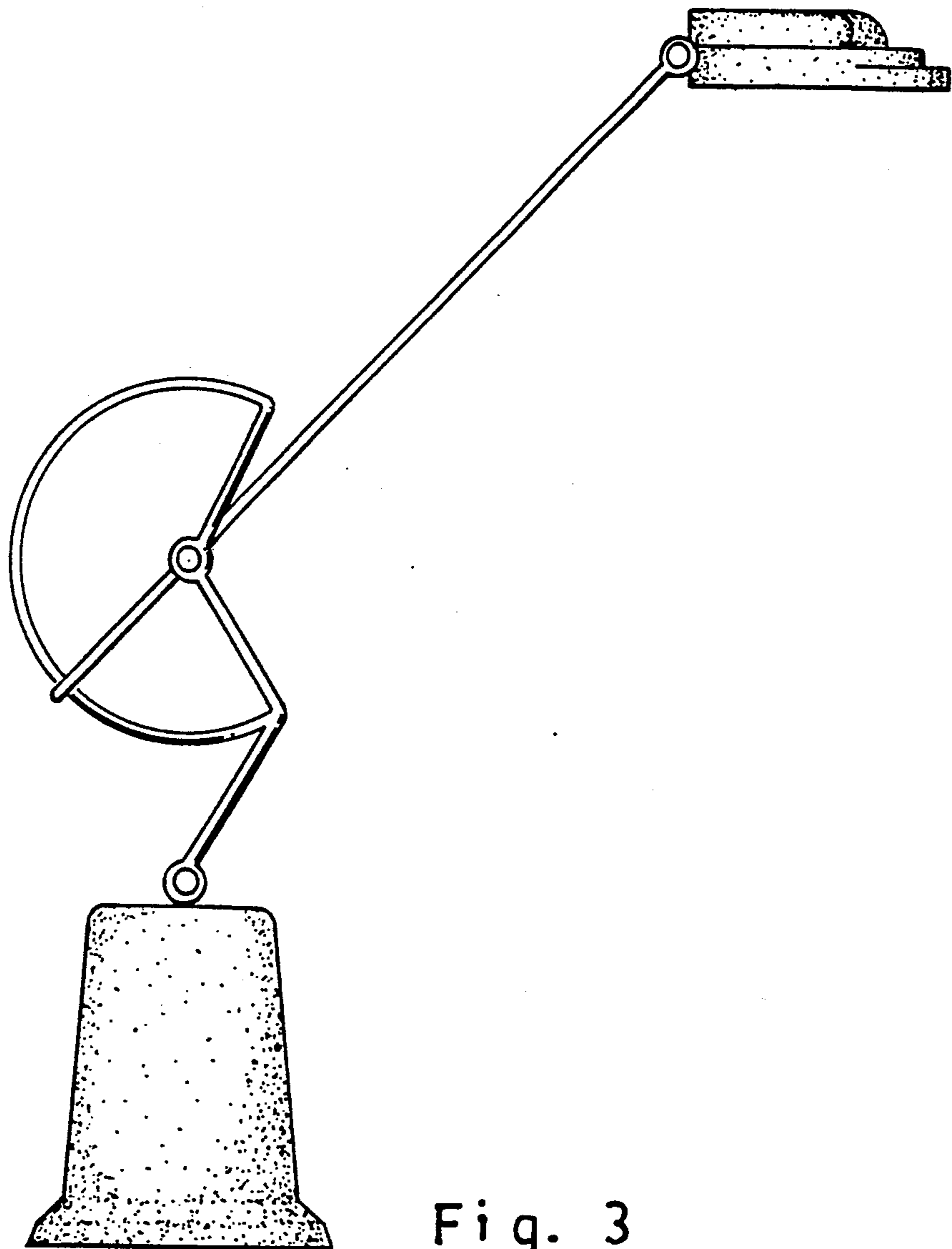


Fig. 3

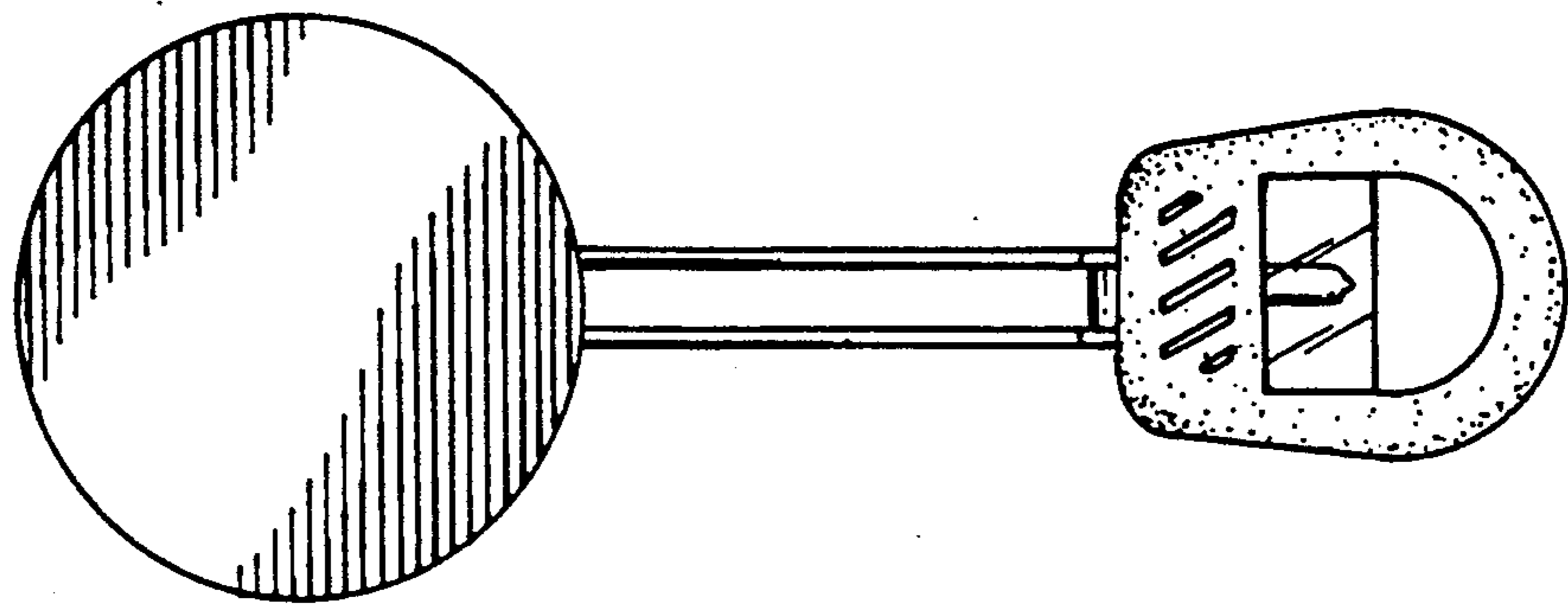


Fig. 4

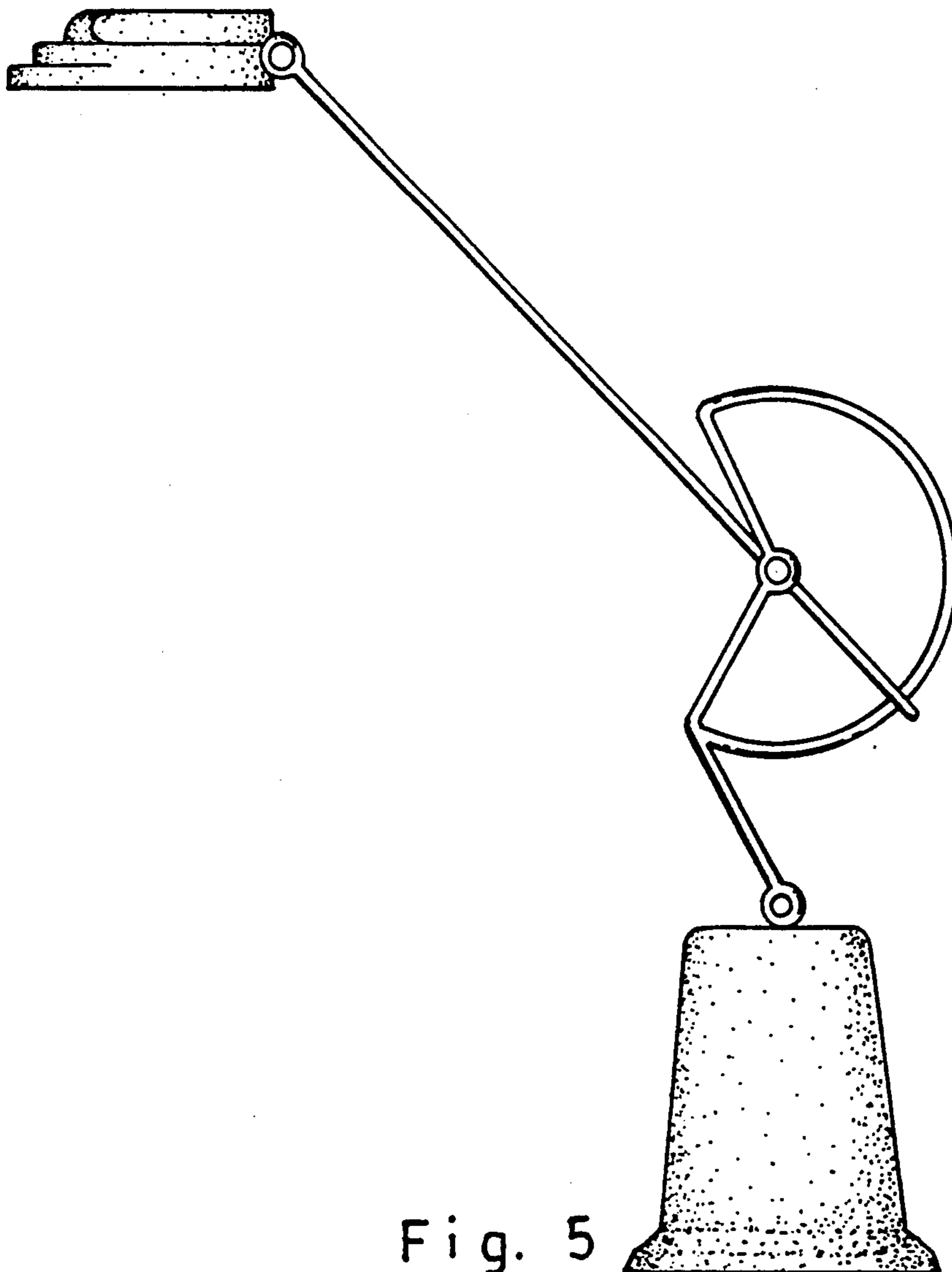


Fig. 5

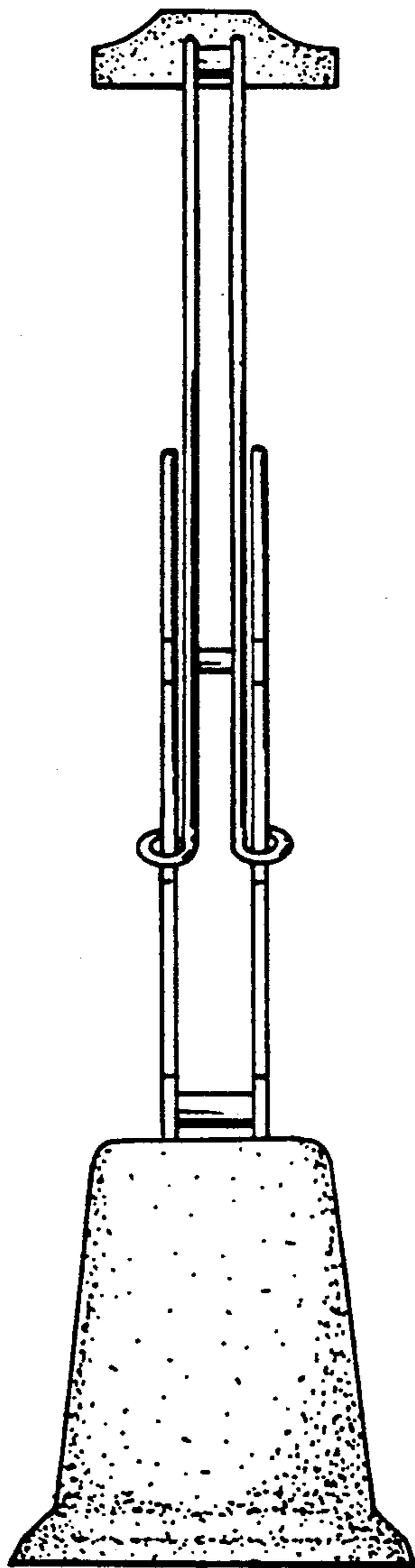


Fig. 6

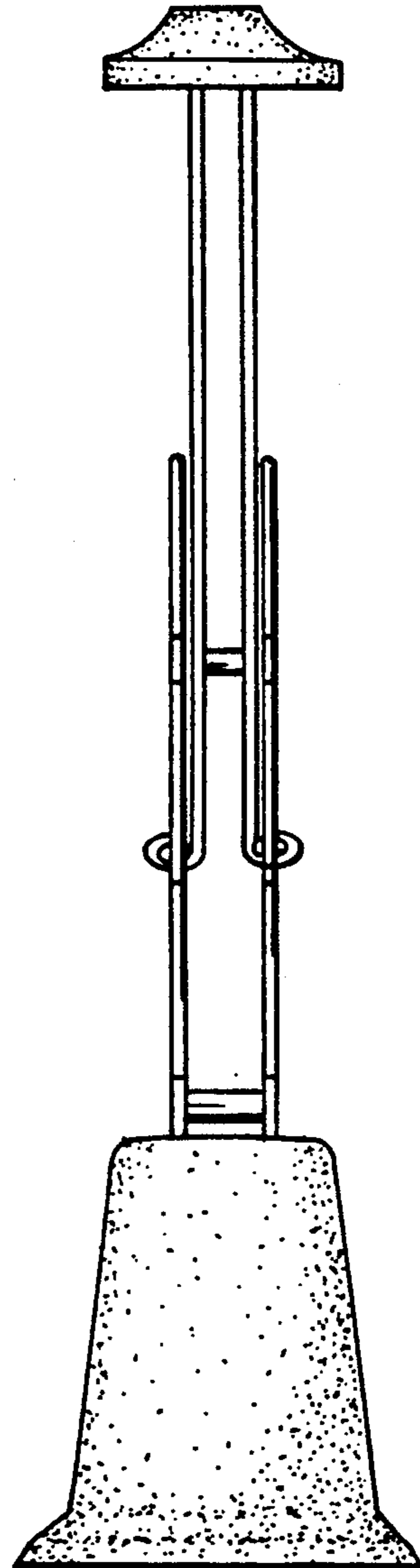


Fig. 7