

[54] BATTERY-OPERATED ADJUSTABLE DESK LAMP

[75] Inventor: Tang C. Ping, San Francisco, Calif.

[73] Assignee: Scenique Toys, Inc., San Francisco, Calif.

[**] Term: 14 Years

[21] Appl. No.: 484,638

[22] Filed: Feb. 26, 1990

[52] U.S. Cl. D26/65

[58] Field of Search D26/60-66;
362/410-414, 418, 419, 428, 269, 275, 287

[56] References Cited

U.S. PATENT DOCUMENTS

- D. 223,588 5/1972 Ohwa D26/63
- D. 238,959 2/1976 Kurokawa D26/62
- D. 268,529 4/1983 Lebowitz D26/65

- 1,801,991 4/1931 Andersen D26/63 X
- 2,286,851 6/1942 Hess D26/62 X

Primary Examiner—Susan J. Lucas
Attorney, Agent, or Firm—Flehr, Hohbach, Test,
Albritton & Herbert

[57] CLAIM

The ornamental design for a battery operated adjustable desk lamp, as shown.

DESCRIPTION

FIG. 1 is a top, front, right hand side perspective view of a battery operated adjustable desk lamp showing my new design;

FIG. 2 is a front elevation view thereof;

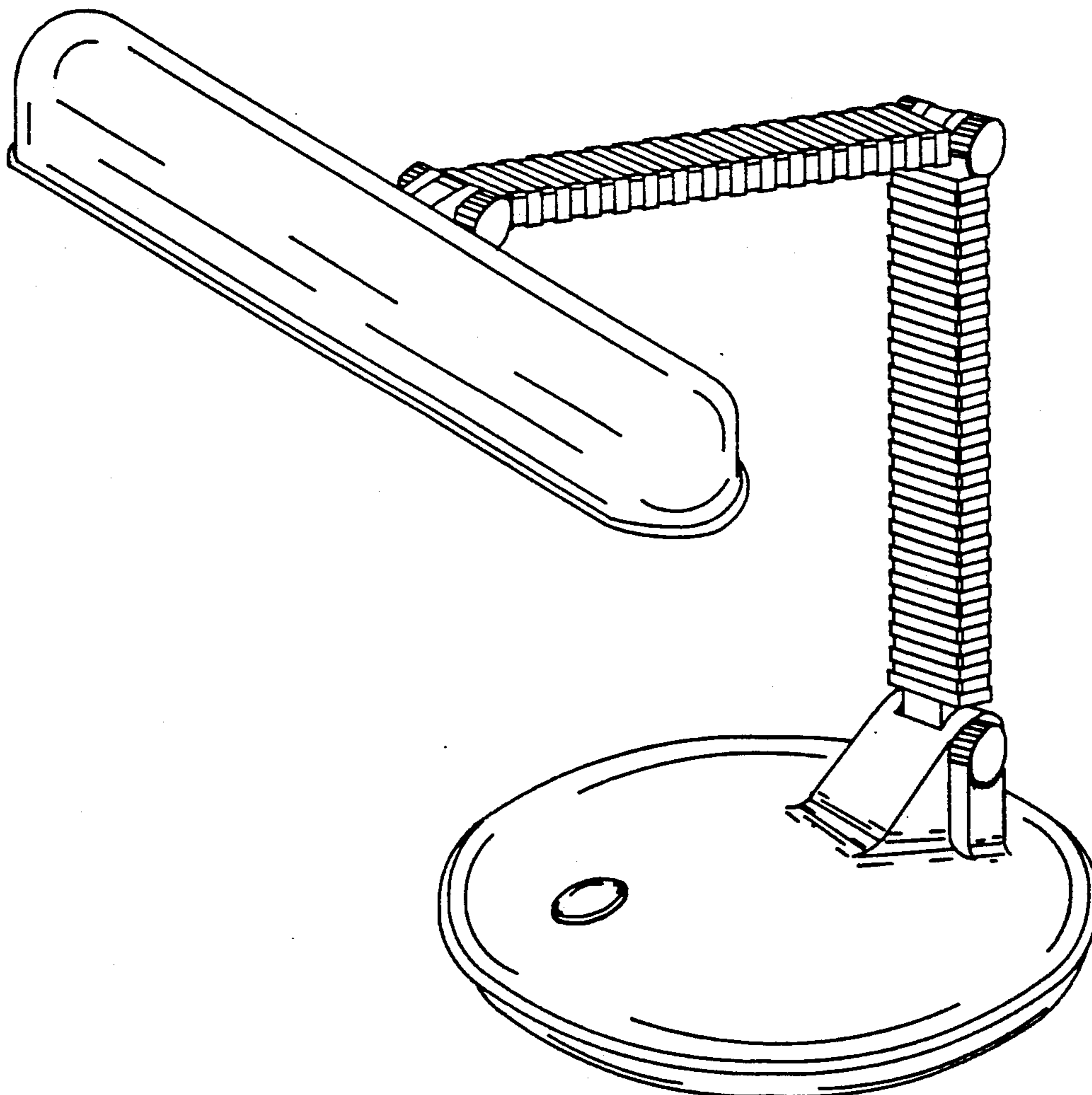
FIG. 3 is a rear elevation view thereof;

FIG. 4 is a left hand side elevation view thereof;

FIG. 5 is a right hand side elevation view thereof;

FIG. 6 is a top plan view thereof; and

FIG. 7 is a bottom plan view thereof.



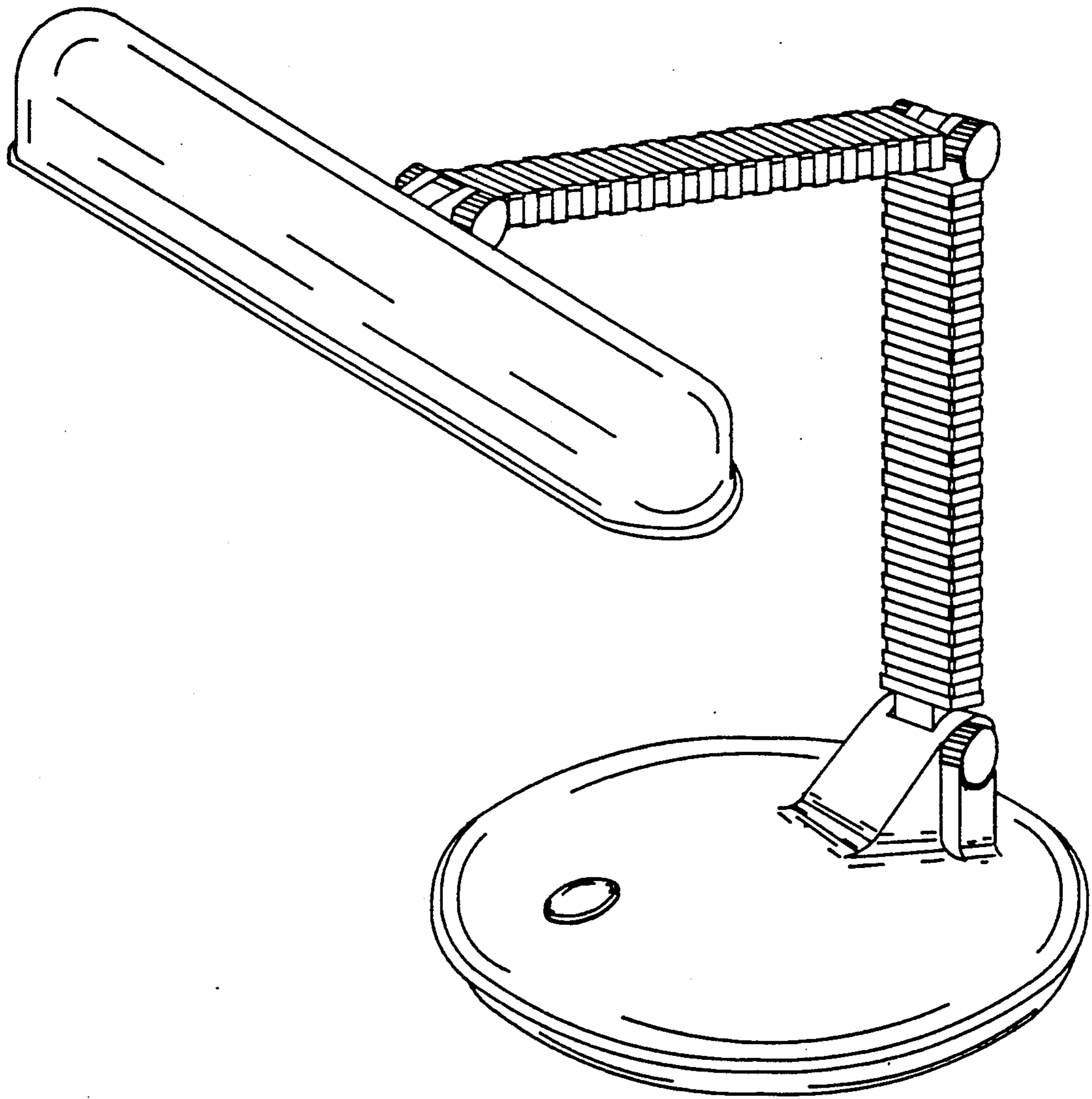


FIG. - 1

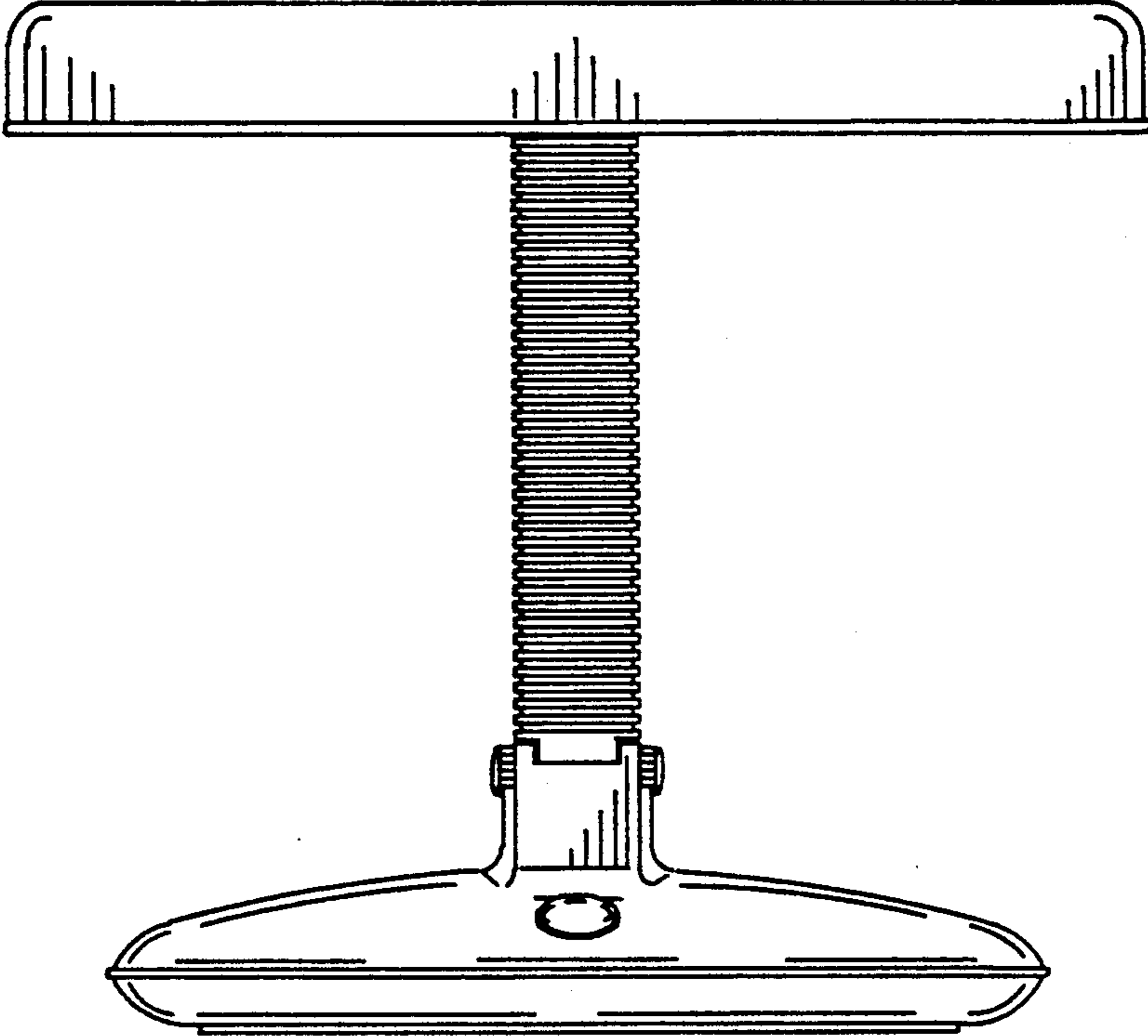


FIG. - 2

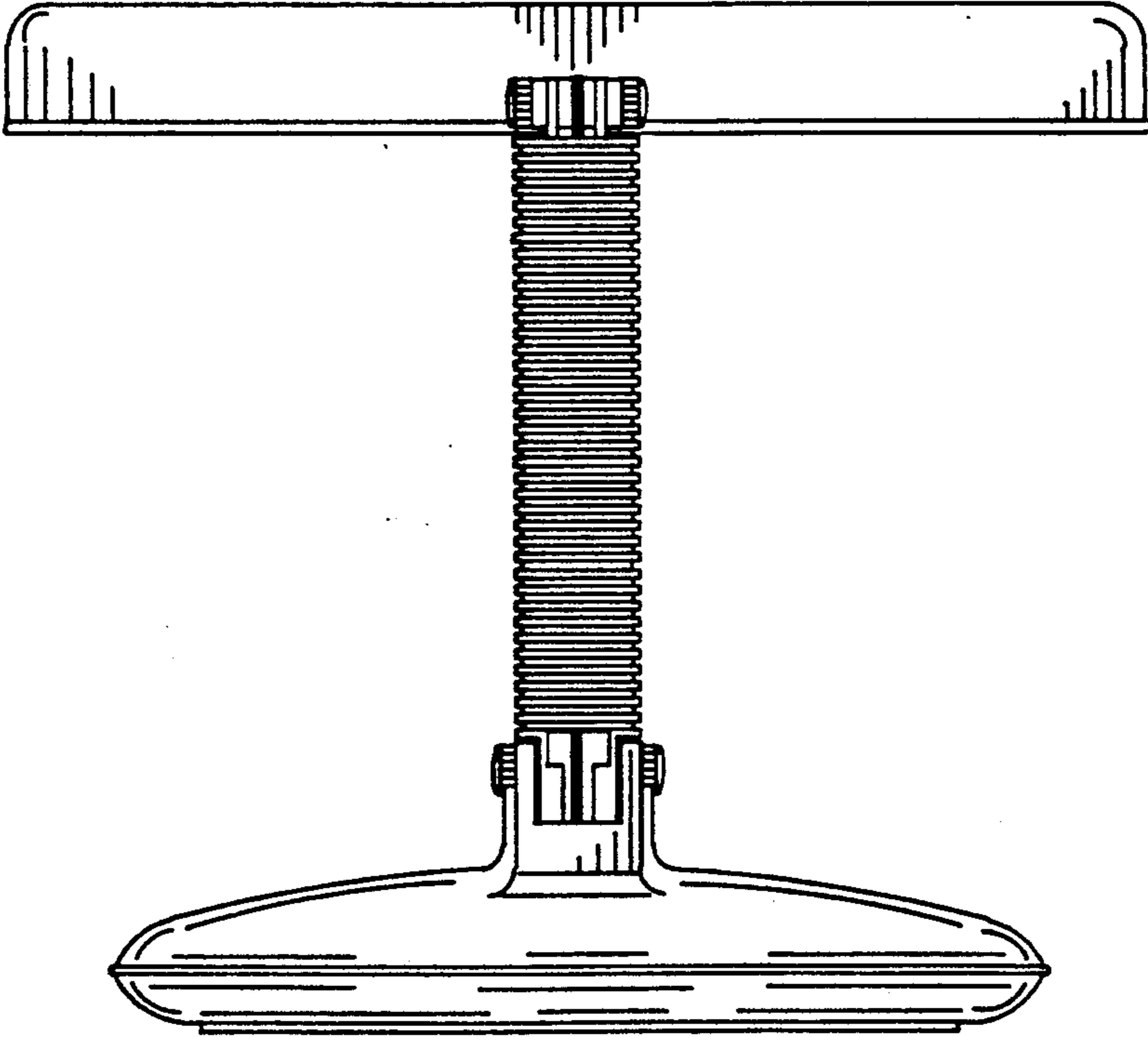


FIG. - 3

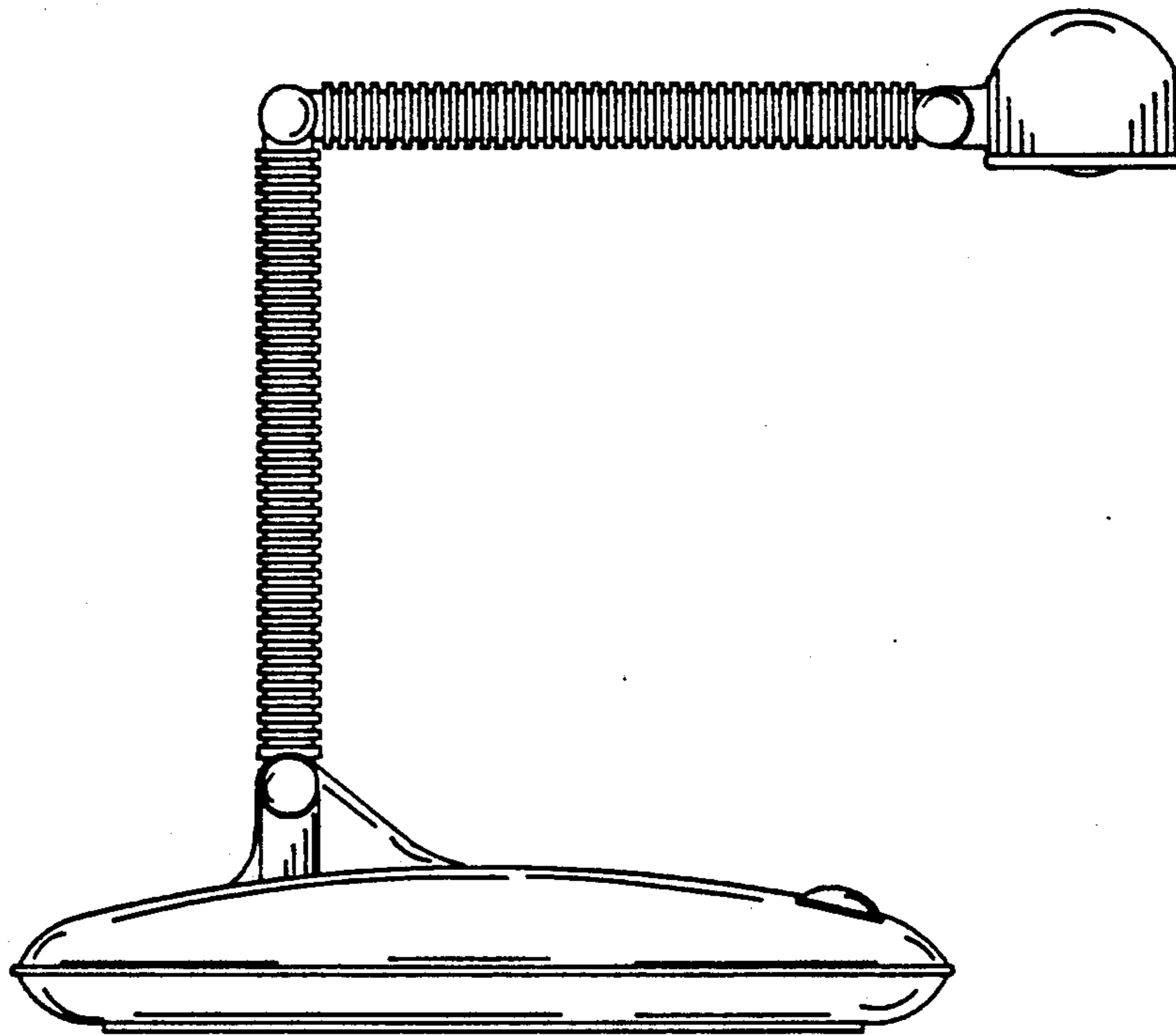


FIG. -4

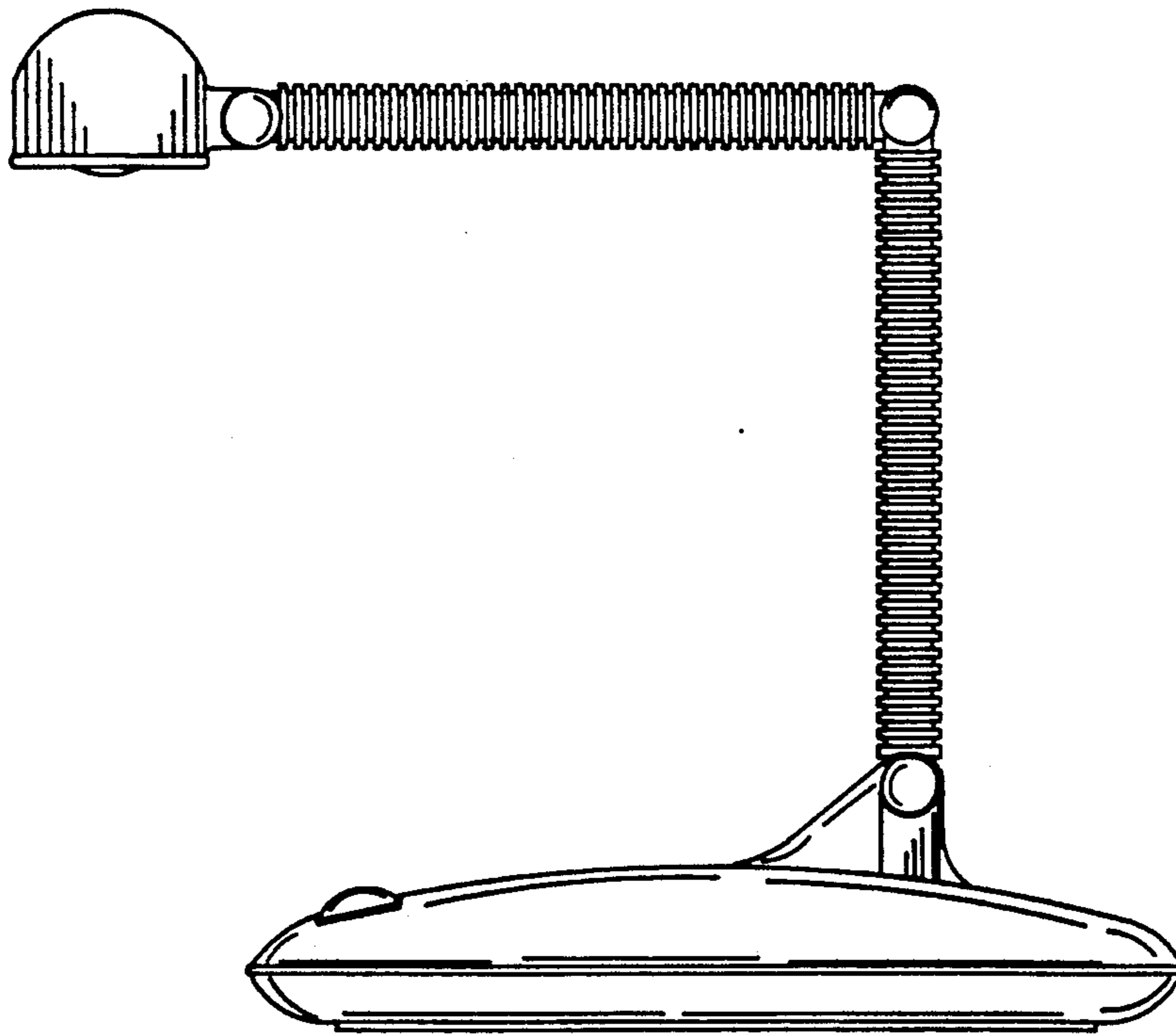


FIG. -5

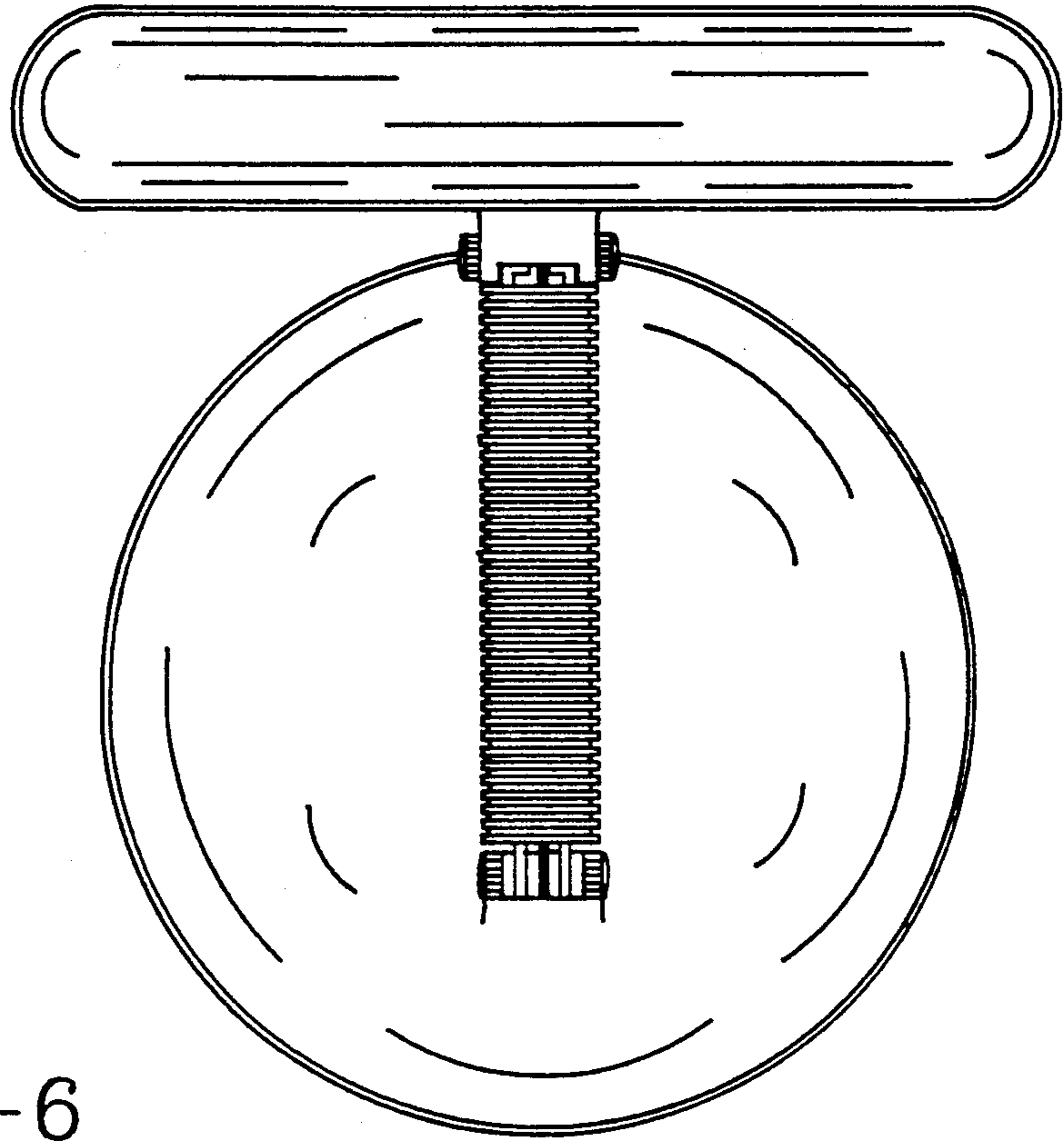


FIG. -6

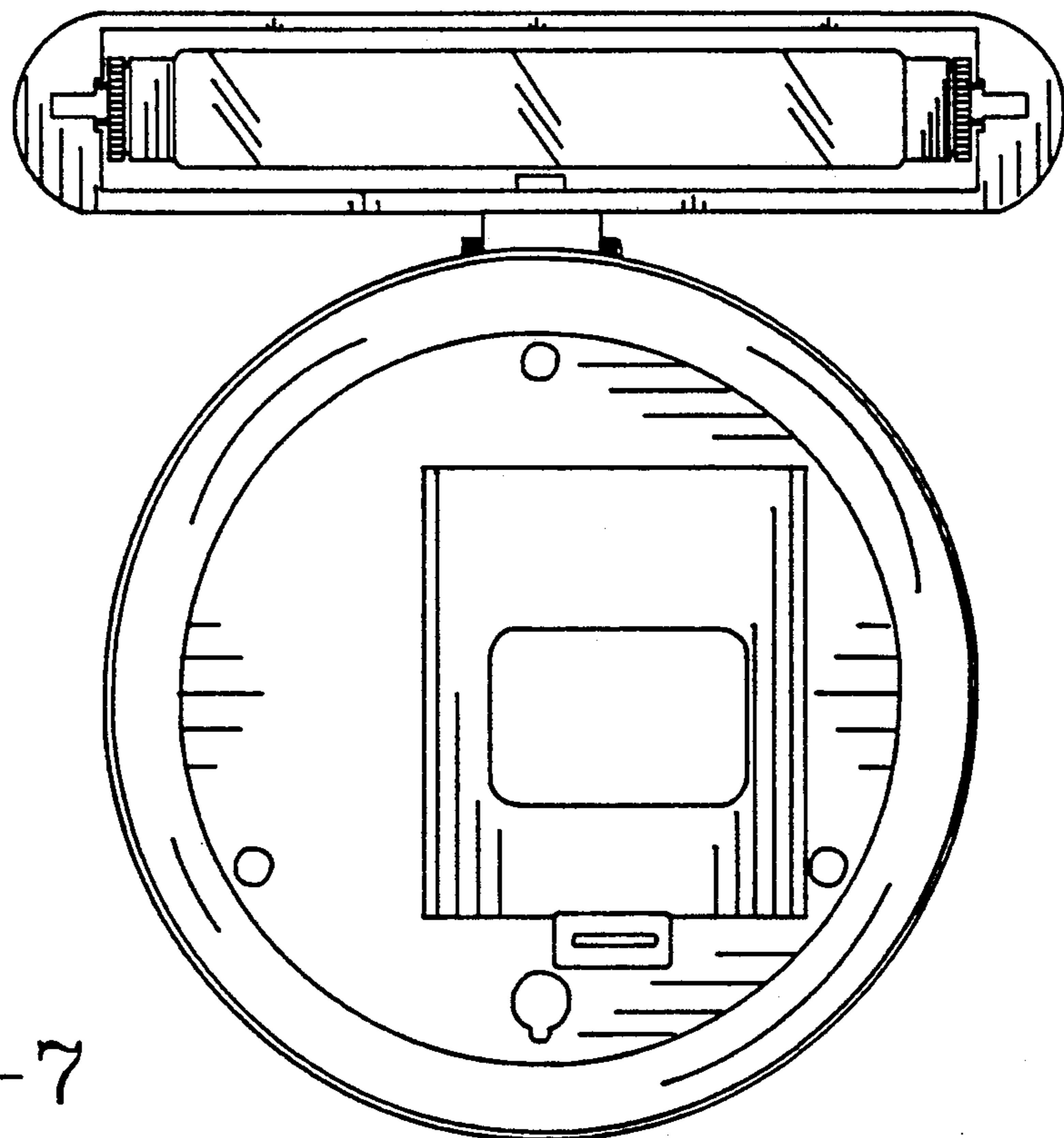


FIG. -7