

[54] COMBINED FLUORESCENT LANTERN
AND CLIP

4,678,153 7/1987 Maddock et al. 362/396 X
4,749,908 6/1988 Stifter 362/183 X

[75] Inventor: John S. Yuen, Kowloon, Hong Kong

[73] Assignee: John Manufacturing Limited,
Kowloon, Hong Kong

[**] Term: 14 Years

[21] Appl. No.: 454,838

[22] Filed: Dec. 22, 1989

[30] Foreign Application Priority Data

Jul. 5, 1989 [GB] United Kingdom 1060619

[52] U.S. Cl. D26/38; D26/60

[58] Field of Search D26/138, 140, 37-50;
D8/395, 396, 397; 362/396, 190, 191, 157, 158,
183-189

[56] References Cited

U.S. PATENT DOCUMENTS

D. 90,858 10/1933 Rowe D26/60
D. 147,900 11/1947 Fanelli D26/60
D. 287,644 1/1987 Gierke D26/60
4,432,043 2/1984 Yuen 362/184

OTHER PUBLICATIONS

Hong Kong Enterprise, 11-1986, p. 257, Fluorescent
Desk Light.

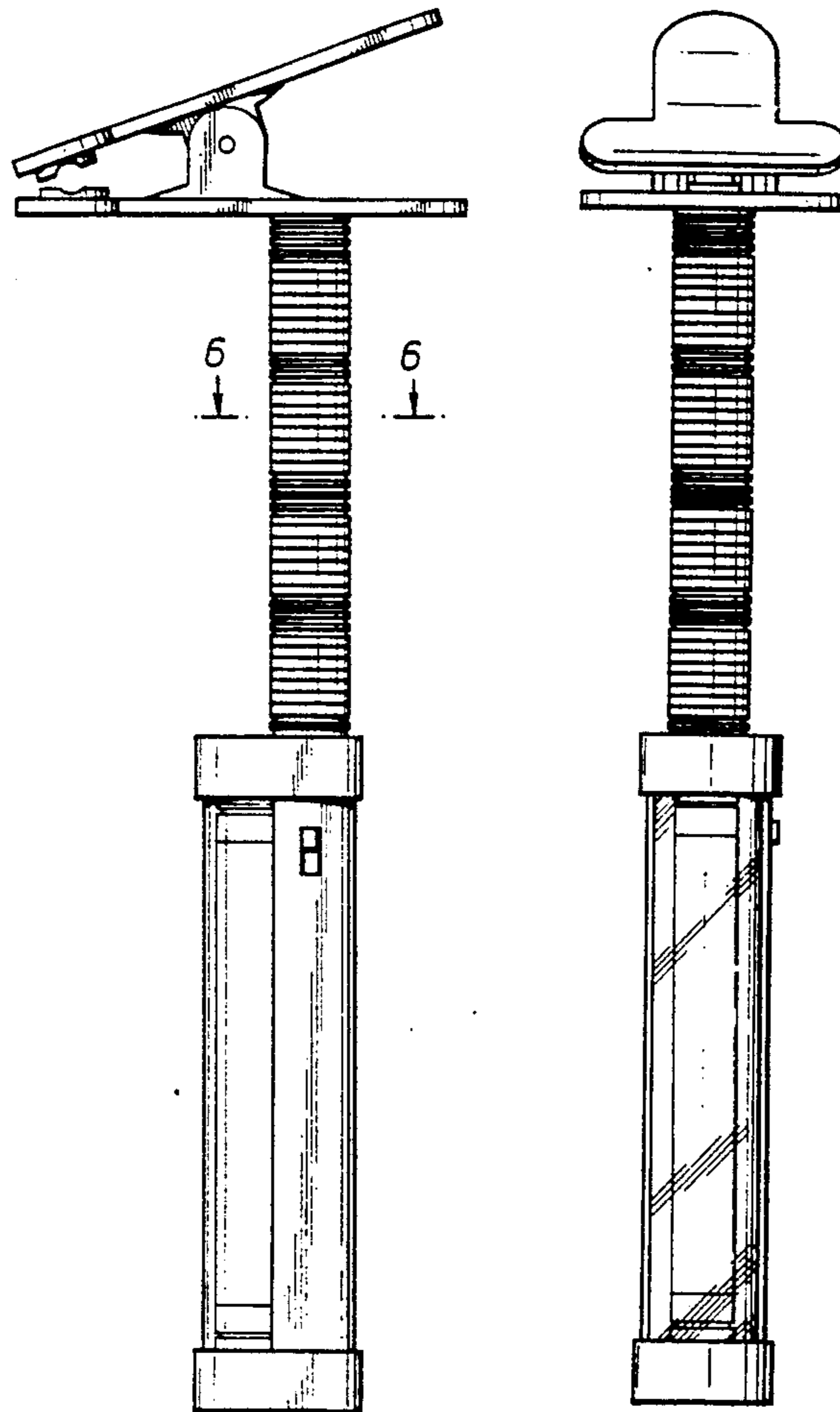
Primary Examiner—Susan J. Lucas
Attorney, Agent, or Firm—Fay, Sharpe, Beall, Fagan,
Minnich & McKee

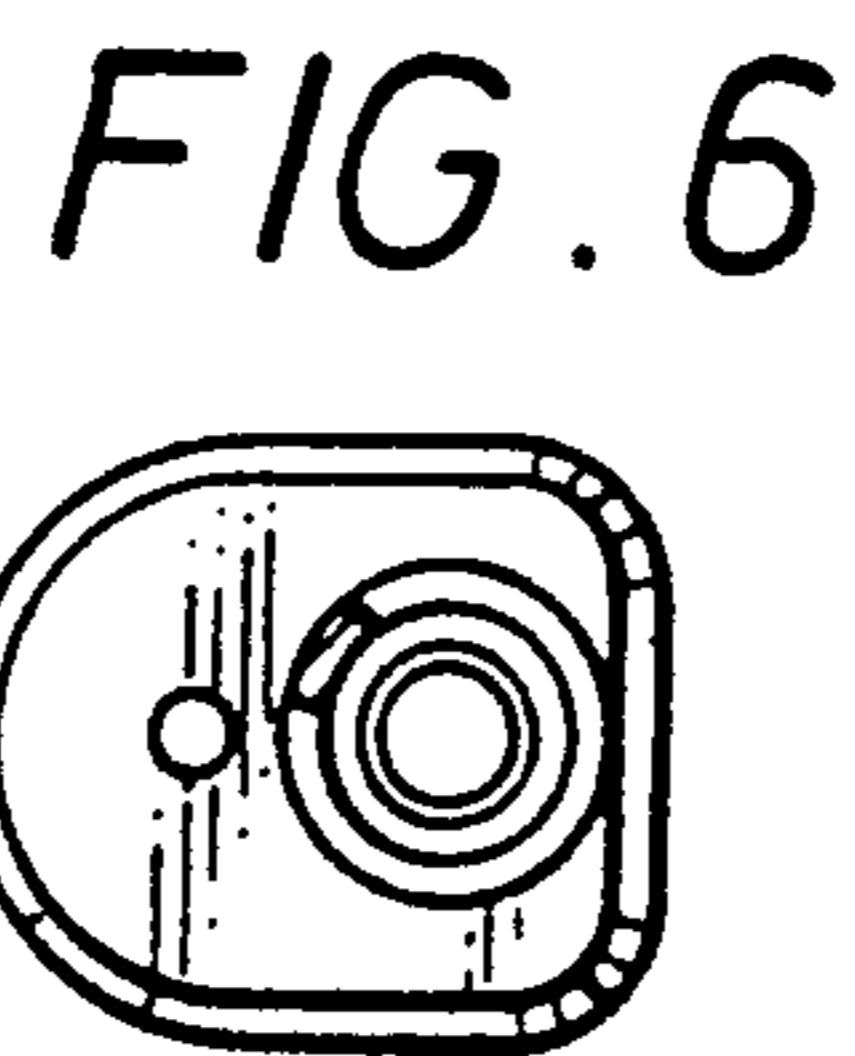
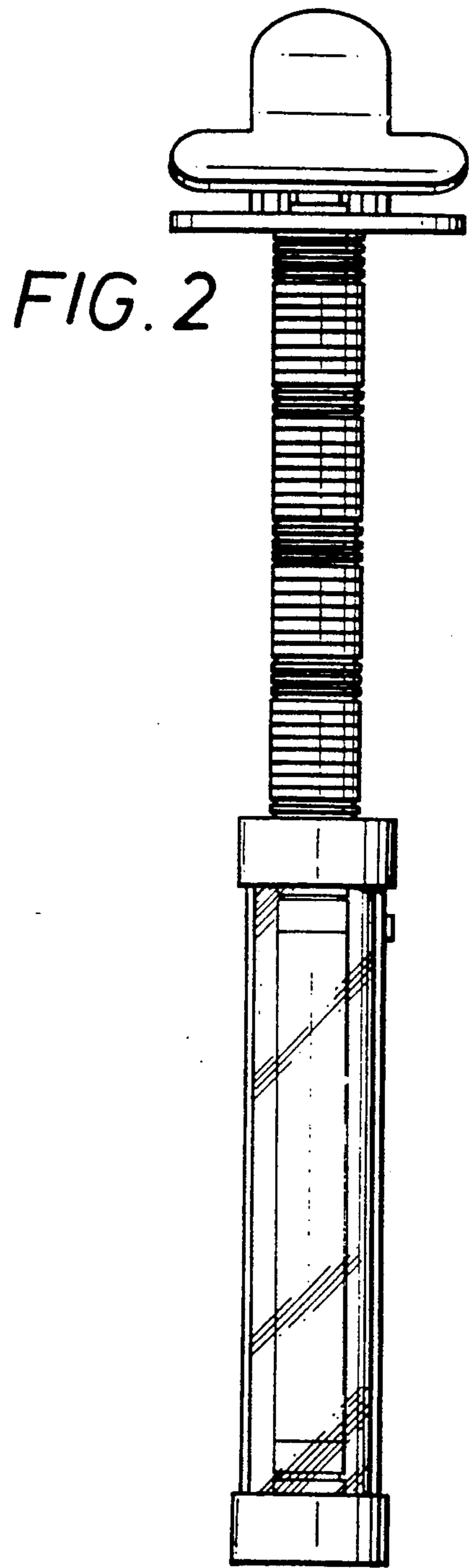
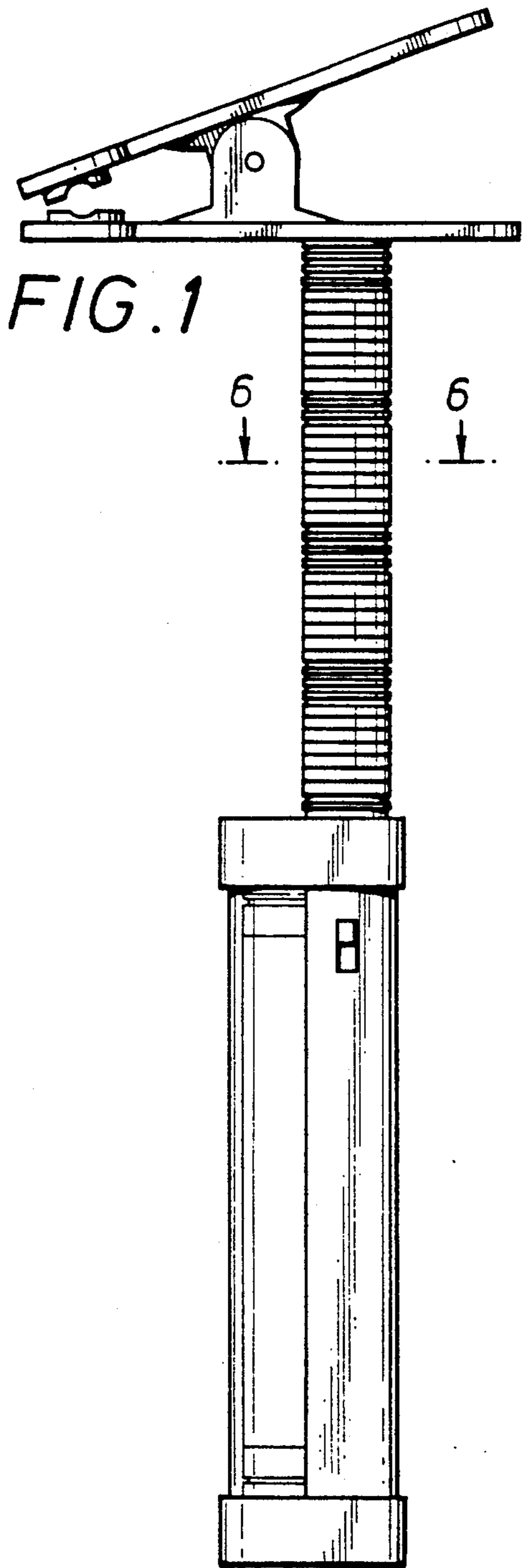
[57] CLAIM

The ornamental design for a combined fluorescent lan-
tern and clip, as shown and described.

DESCRIPTION

FIG. 1 is a side elevational view of a combined fluo-
rescent lantern and clip showing my new design, the oppo-
site side being a mirror image of the side shown but for
the omission of the switch on the side of the lantern;
FIG. 2 is a front perspective view thereof;
FIG. 3 is a rear elevational view thereof;
FIG. 4 is a bottom plan view thereof;
FIG. 5 is a top plan view thereof;
FIG. 6 is a cross-sectional view thereof as taken along
line 6-6 of FIG. 1.





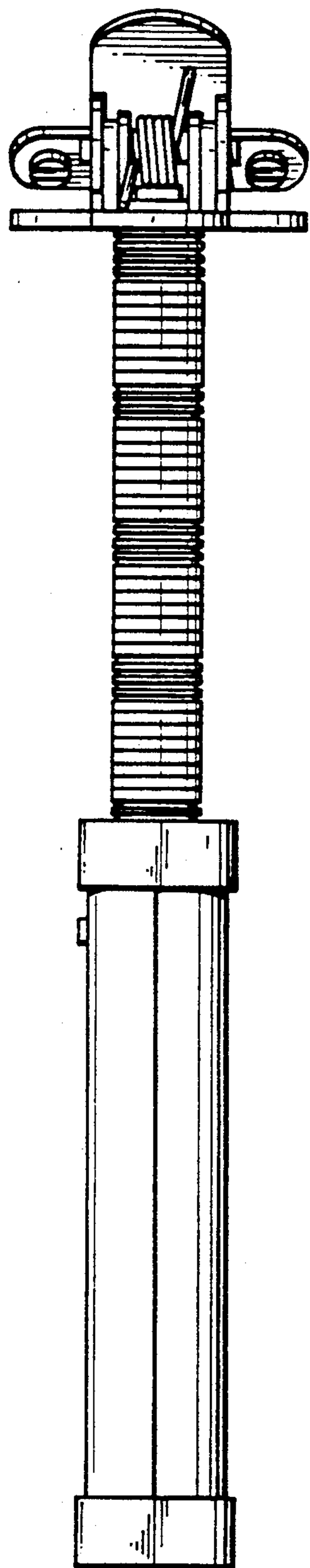


FIG. 3

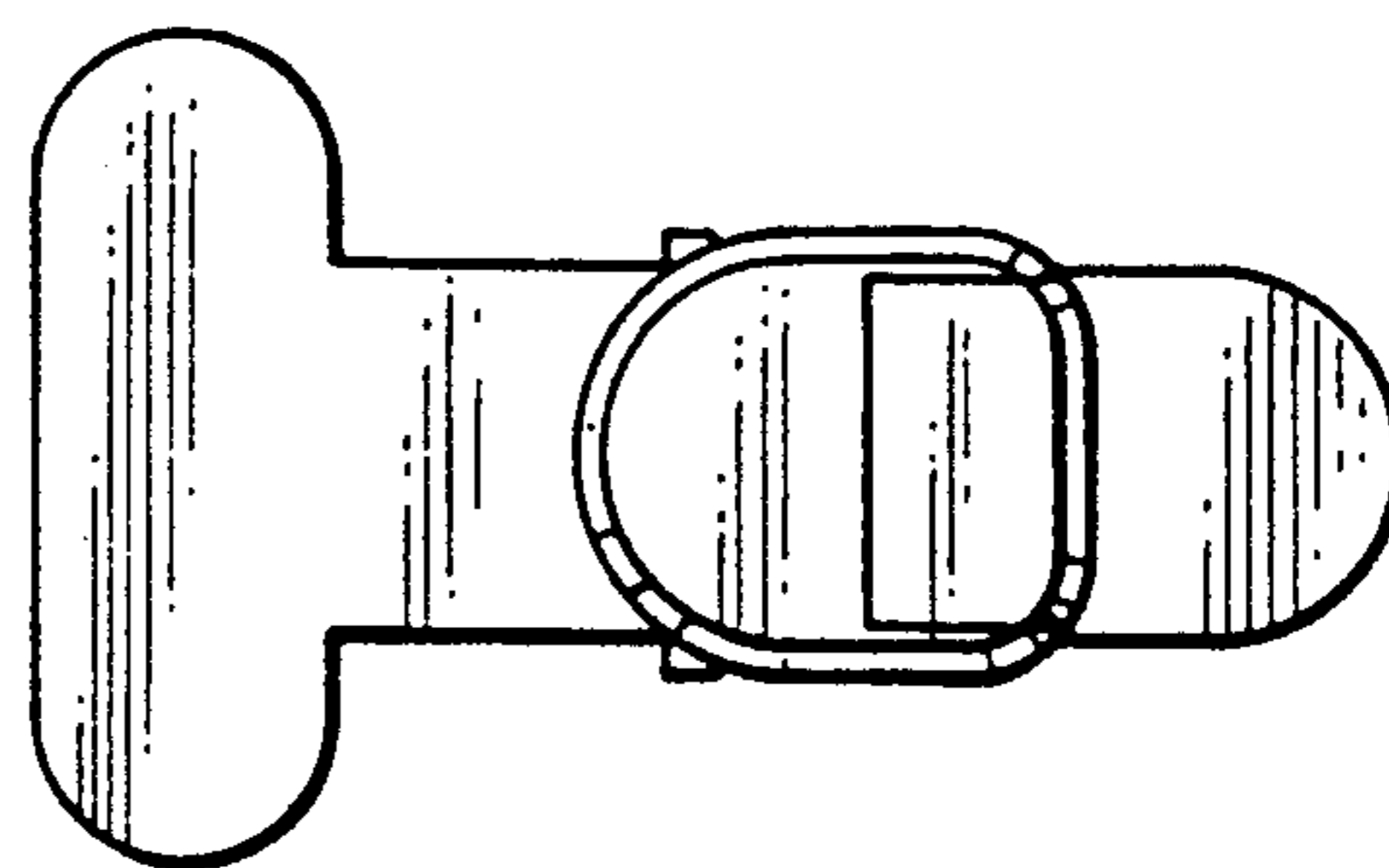


FIG. 4

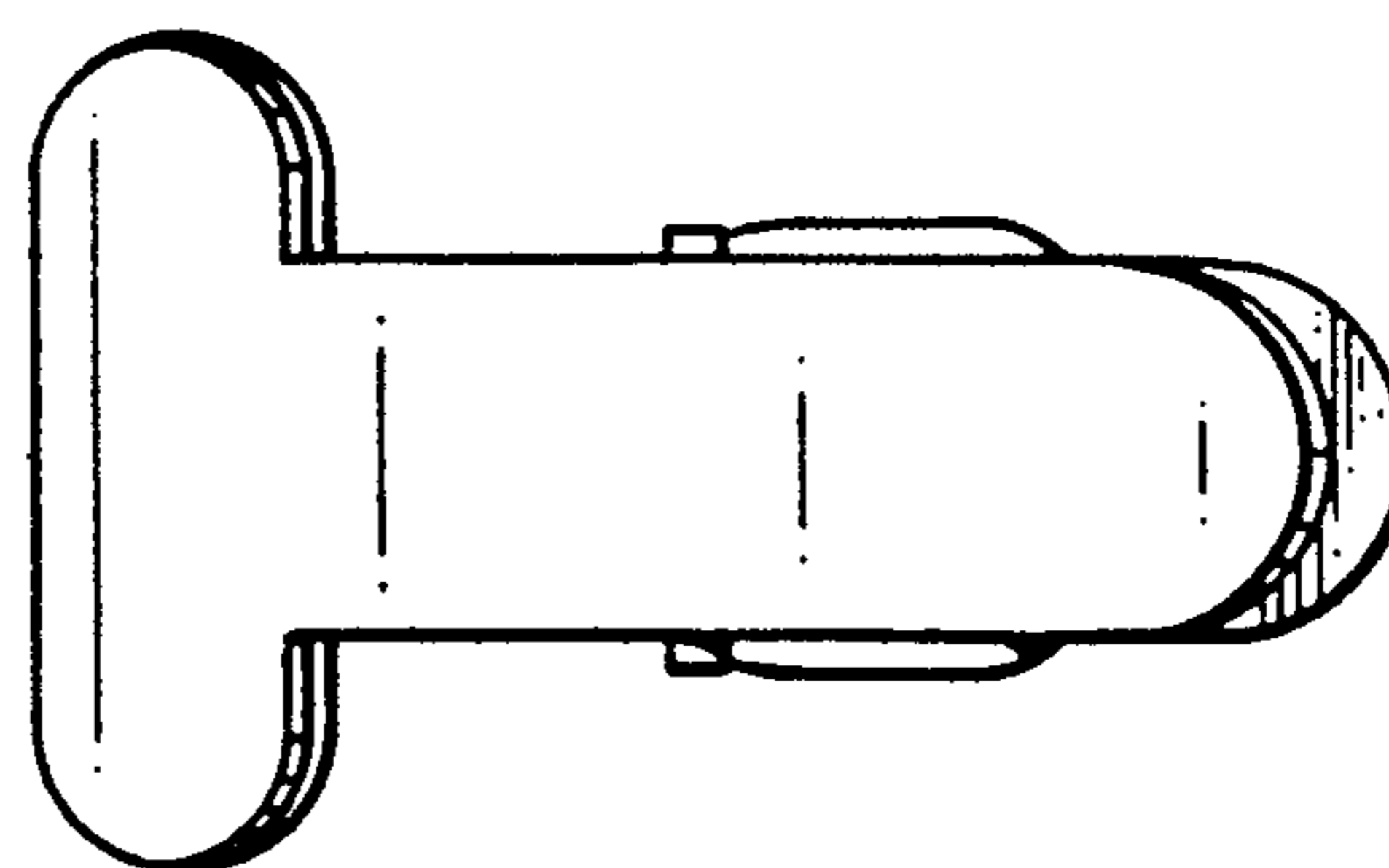


FIG. 5