

[54] SCALPEL BLADE

[75] Inventor: George H. Muller, Ann Arbor, Mich.

[73] Assignee: Joseph J. Berke, Detroit, Mich.

[**] Term: 14 Years

[21] Appl. No.: 875,374

[22] Filed: Jun. 16, 1986

[52] U.S. Cl. D24/146

[58] Field of Search D24/28, 26, 8, 29, 30;
128/305, 303 R, 303.13, 303.14; D8/20

[56] References Cited

U.S. PATENT DOCUMENTS

D. 119,635	3/1940	Maltz	D24/28 X
3,126,889	3/1964	Blumenfeld	128/303
3,786,814	1/1974	Armao	128/505 X
4,657,012	4/1987	Burgin	128/303.1
4,708,138	11/1987	Pazandak	128/305

FOREIGN PATENT DOCUMENTS

994256 11/1951 France 128/314

Primary Examiner—A. Hugo Word

Assistant Examiner—Stella M. Reid

[57] CLAIM

The ornamental design for a scalpel blade, as shown and described.

DESCRIPTION

FIG. 1 is an elevational view of a scalpel blade showing my new design;

FIG. 2 is an enlarged cross-sectional view taken along line 2—2 in FIG. 1;

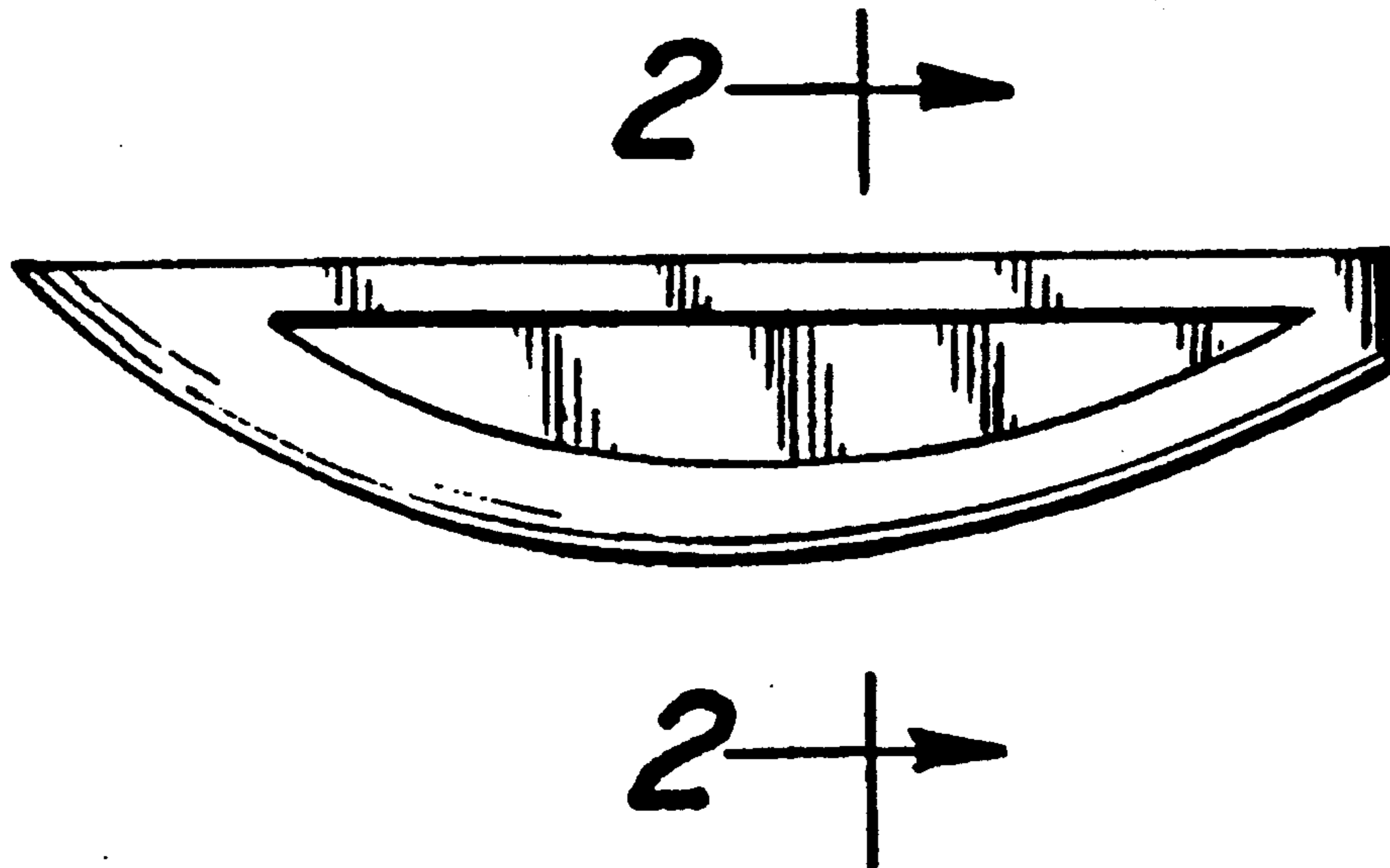
FIG. 3 is an elevational view of a modified form of FIG. 1;

FIG. 4 is an enlarged cross-sectional view taken along line 4—4 in FIG. 2;

FIG. 5 is an elevational view of another modified form of FIG. 1; and

FIG. 6 is an enlarged cross-sectional view taken along line 6—6 of FIG. 5.

The other side of each of the scalpel blades of FIGS. 1, 3 and 5 is exactly the same as the side shown.



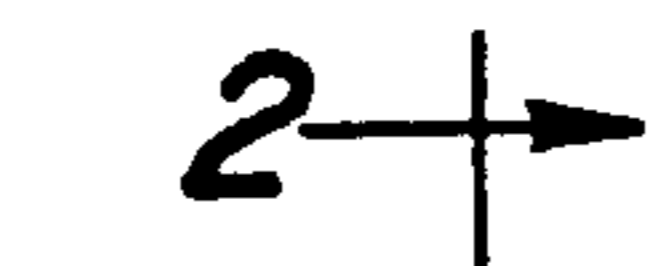
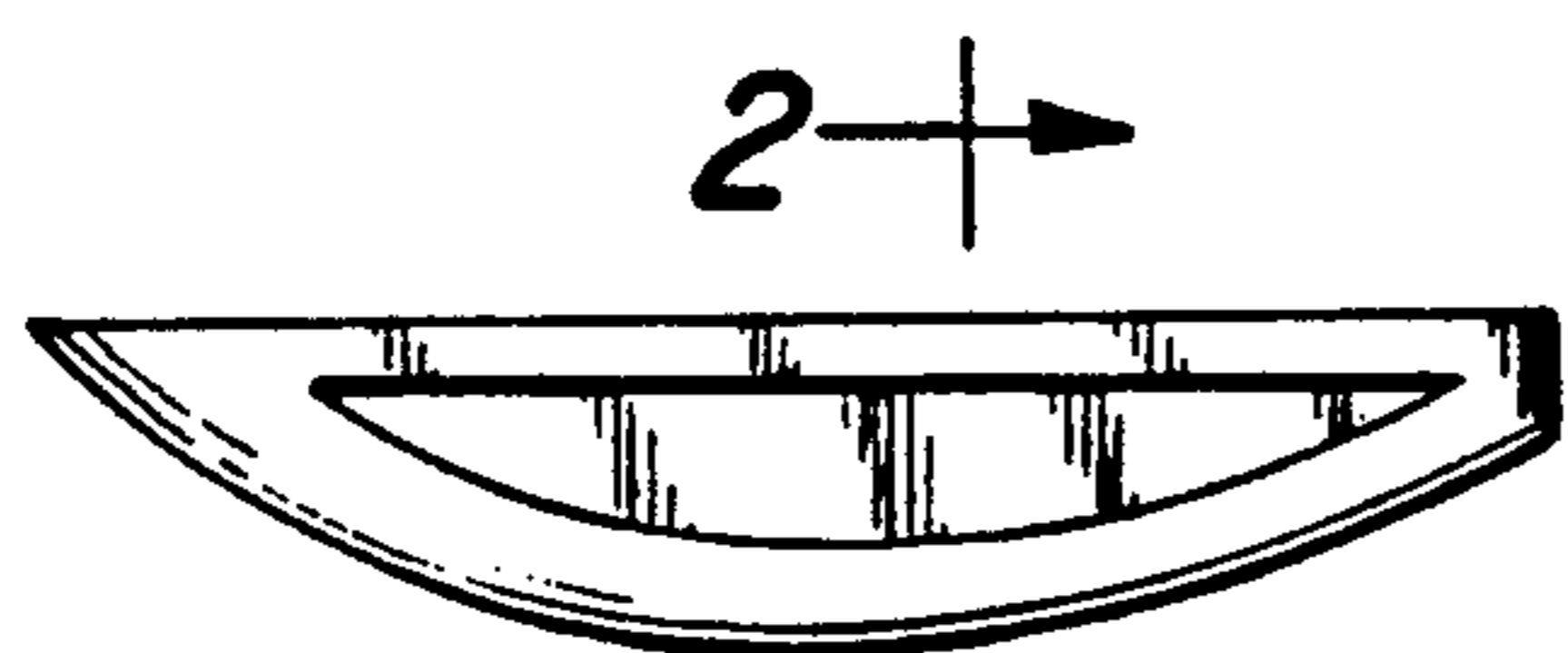


Fig-1



Fig-2

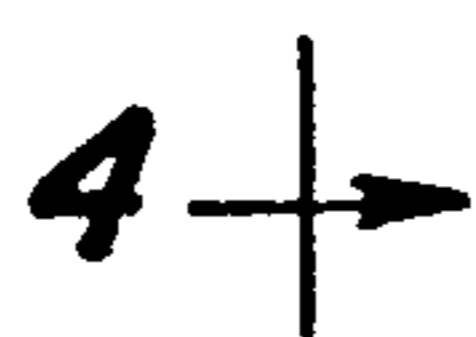
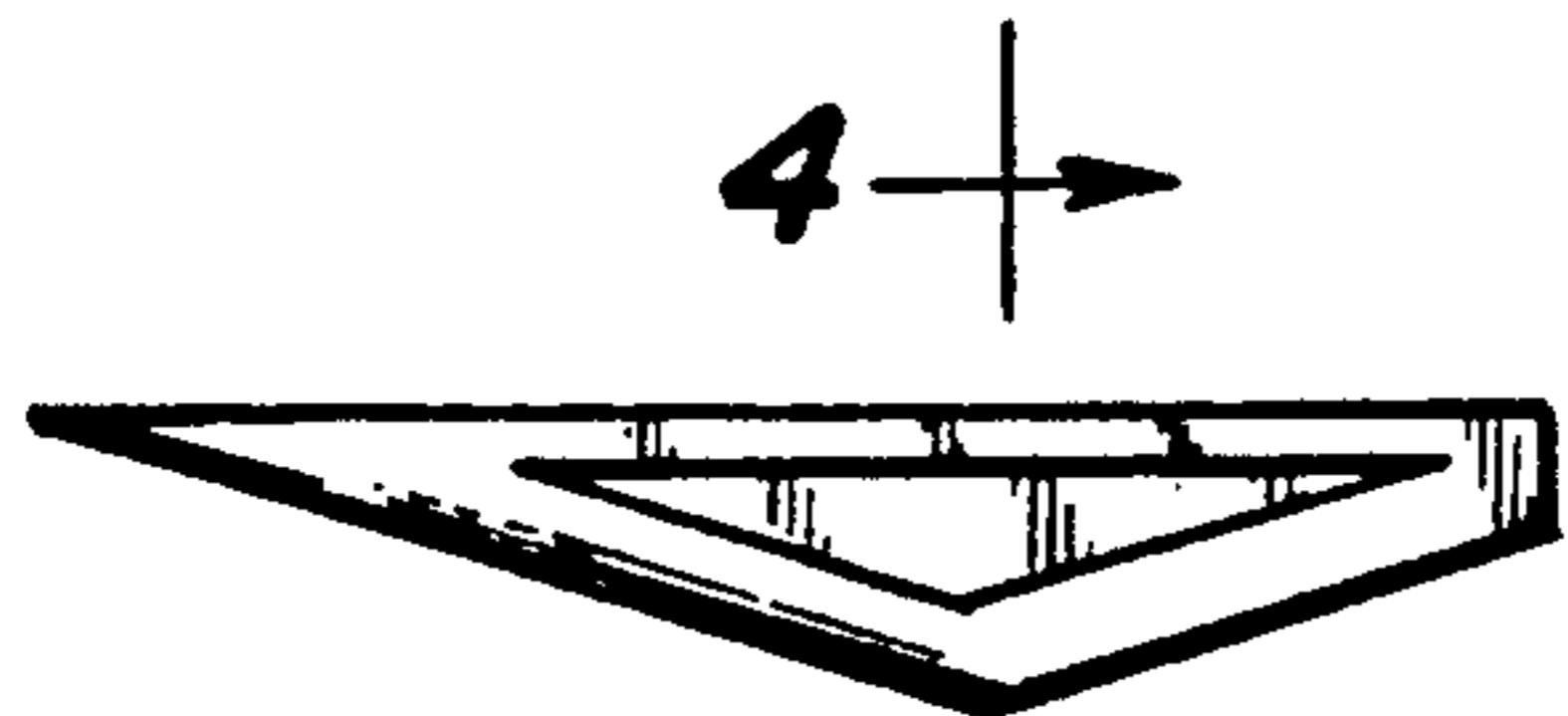


Fig-3



Fig-4

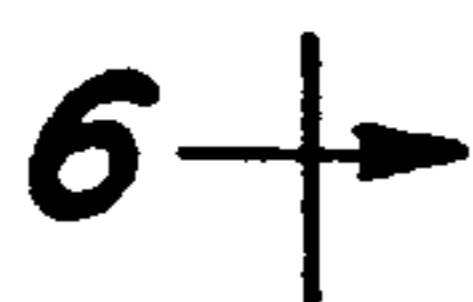
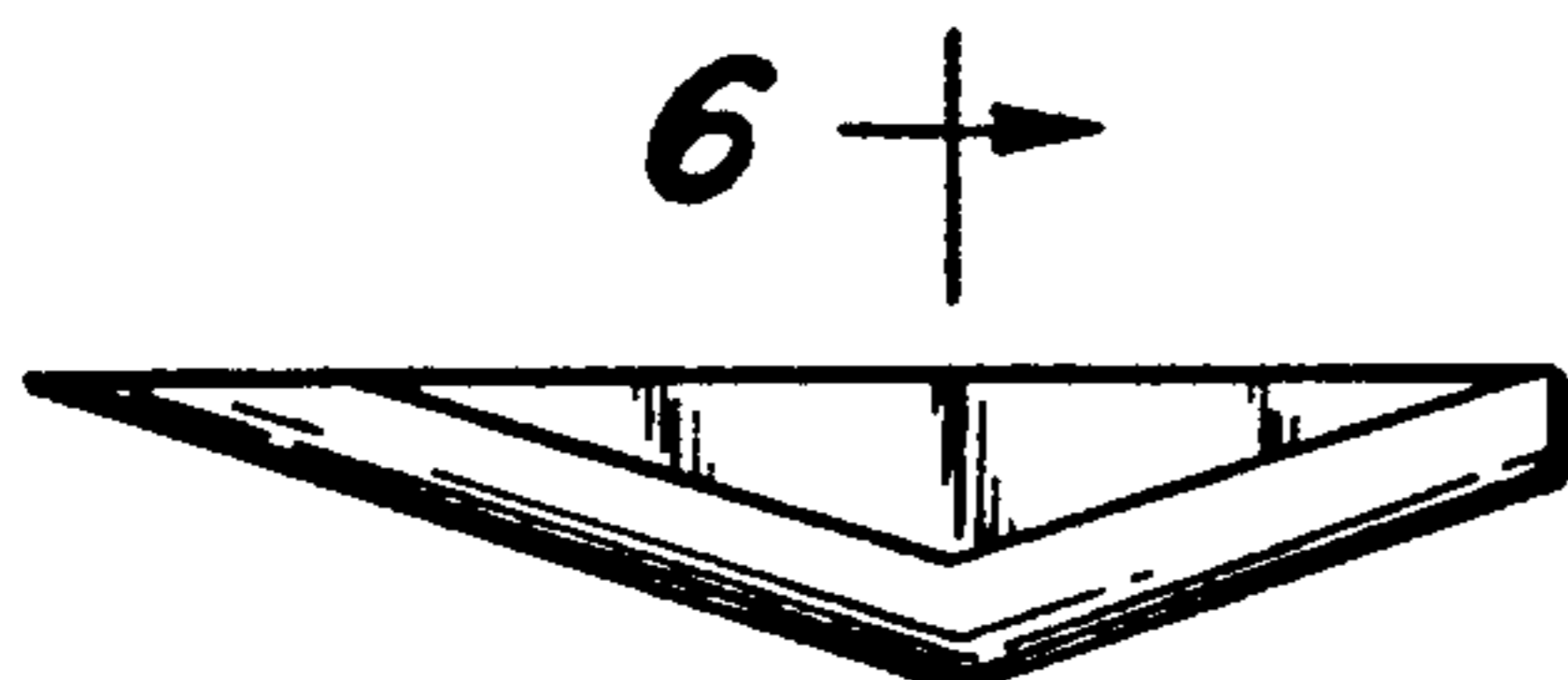


Fig-5



Fig-6