

[54] **DERMATONE OR THE LIKE**

[75] **Inventors: Susan M. Feltovich; Todd B. Grimm; William J. Donizetti, all of Dover, Ohio**

[73] **Assignee: Snyder Laboratories, Inc., Dover, Ohio**

[**] **Term: 14 Years**

[21] **Appl. No.: 271,187**

[22] **Filed: Nov. 14, 1988**

[52] **U.S. Cl. D24/146**

[58] **Field of Search D24/26, 28; 606/131, 606/132; 30/223, 346.53, 346.5, 84, 50; 128/305.5**

[56] **References Cited**

U.S. PATENT DOCUMENTS

686,590	11/1901	Council, Jr. .	
1,594,613	8/1926	Hagen .	
1,627,901	5/1927	Hills .	
1,736,246	11/1929	Blair .	
1,935,605	11/1933	Altruda	128/305
2,288,709	7/1942	Hood	128/305
2,309,444	1/1943	De Vault	30/280
2,400,336	5/1946	Bishop	128/305
2,419,114	4/1947	Briegel	128/305
2,428,018	9/1947	Eidam	606/132
2,435,278	2/1948	Hood	128/305.5
2,442,433	6/1948	Reese	128/305.5
2,442,436	6/1948	Reese	128/305.5
2,457,772	12/1948	Brown et al.	606/132
2,522,809	8/1950	Cornell	128/305
2,579,029	12/1951	Barker et al.	128/305
2,590,299	3/1952	Douglas	128/305
2,611,952	9/1952	Chambers	30/116
2,691,377	10/1954	Hood	128/305
2,730,100	1/1956	Hood	128/305
2,787,272	4/1957	Groom	128/305
3,327,711	6/1967	Vallis	128/305
3,412,732	11/1968	Simon	128/305
3,428,045	2/1969	Kratzsch et al.	128/305
3,583,403	6/1971	Pohl et al.	128/305
3,670,734	6/1972	Hardy, Jr.	128/305
3,820,543	6/1974	Vanjushin et al.	128/305
3,934,591	1/1976	Gleason	128/305.5
4,038,986	8/1977	Mahler	128/305.5
4,098,278	7/1978	Schwartz	128/305.5

4,270,540	6/1981	Schwartz	128/305.5
4,665,915	6/1987	Grollimund	128/305.5
4,690,139	9/1987	Rosenberg	128/305.5
4,754,756	7/1988	Shelanski	128/305.5
4,838,284	6/1989	Shelanski	128/898
4,917,086	4/1990	Feltovich et al.	606/132

FOREIGN PATENT DOCUMENTS

774689	5/1957	United Kingdom .
1605003	12/1981	United Kingdom .

OTHER PUBLICATIONS

"The Hall Micro 100 Surgery System"—Hall Surgical brochure—Literature No. 97-5053-201—©1986 (reprinted 1/89).

"The Brown Electro-Dermatome Powered Skin Graft Instrument"—Zimmer—Literature No. 87-6200-23-4-00—Revised: Mar. 1983, Jul. 1987, Jan. 1988.

"The Brown Air-Dermatome Powered Skin Graft Instrument"—Zimmer—Literature No. 87-6200-243-0-0—Revised: May, 1982.

"Padgett Electro Dermatome, Model B"—Padgett Dermatome, Div. of Kansas City Assemblage Co. (5 pages)—No date available.

"The New and Improved Padgett Dermatome"—Padgett Dermatome, Div. of Kansas City Assemblage Co.—7/1/83—(pp. 1-16).

Reese Dermatome—B-P Surgical Instruments—pp. 5S1 & 6S1—no date available.

"Skin Grafting and Dermabrasion"—Stryker Corp.—(1 page)—No date available.

"AESCULAP Motoren—Systemen"—AES-CULAP—WERKE AG—(5 pages)—No date available.

"Dermatome Automatique du Pr J. Gosset"—Collin Gentile Drapier S.A.—No date available.

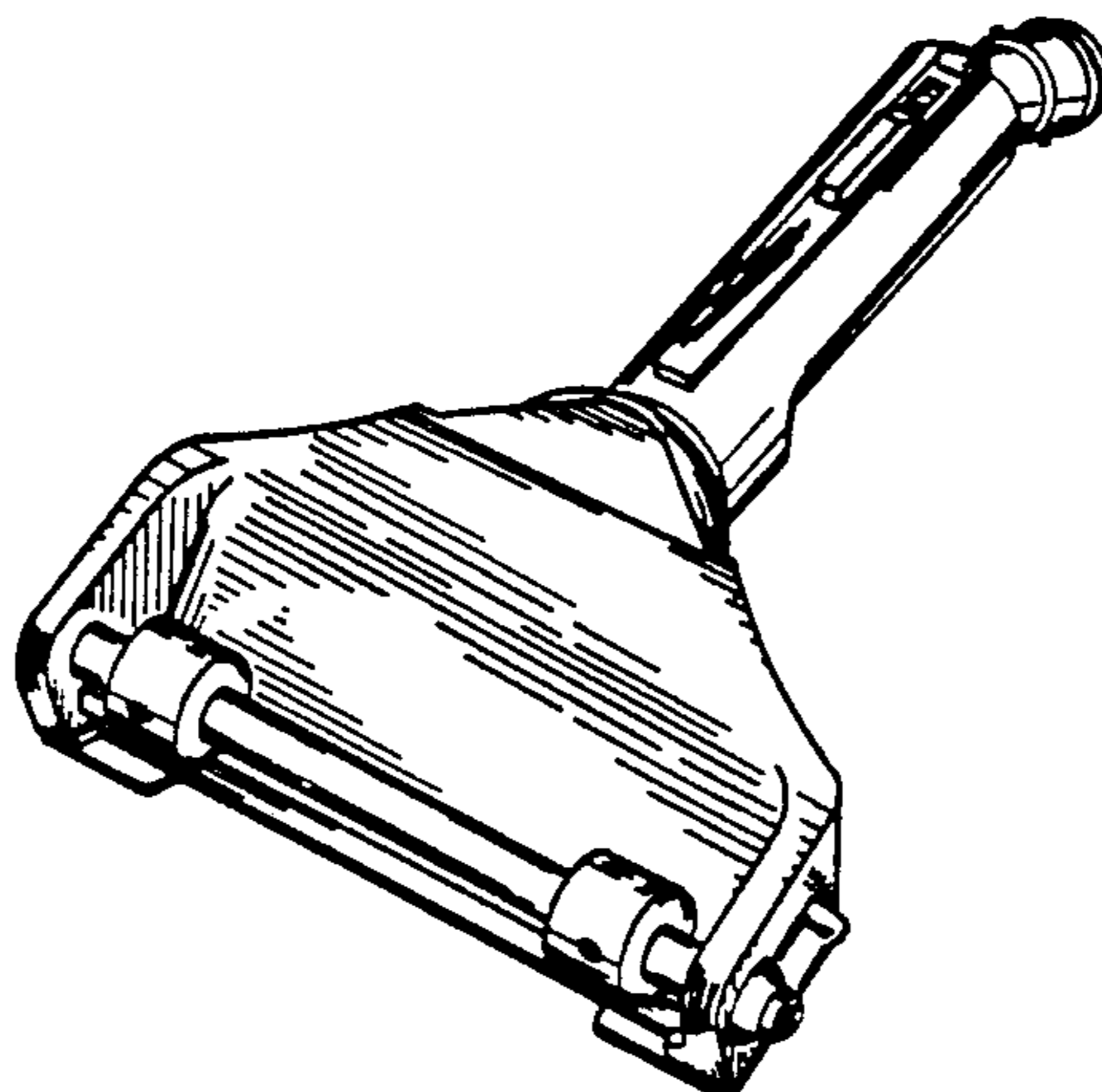
"Davies-Dermatome 7"—(10 pages)—No date available.

"The Hall Air Dermatome"—Howmet Corporation—No date available.

"DAVOL/Simon Cordless Dermatome"—Daval, Inc.—(2 pages)—No date available.

"The New Davol Dermatome"—Swartz et al.—Reprinted from Plastic and Reconstructive Surgery, Jan. 1981—(pp. 77-78).

"Care of the Burn Wound" & Treating the Burn Woun-



d—No date or other publication details available—(pp. 96-107).

“Evolution of the Electro-Dermatome”—Bennett et al.—*Plastic & Reconstructive Surgery*, Feb. 1970—(pp. 131-134).

Primary Examiner—Wallace R. Burke
Assistant Examiner—Marcus Jackson
Attorney, Agent, or Firm—Margaret L. Geringer

[57]

CLAIM

The ornamental design for a dermatome or the like, as shown and described.

DESCRIPTION

FIG. 1 is a perspective view of a dermatome or the like showing our new design;

FIG. 2 is a top plan view thereof;

FIG. 3 is a left side elevational view thereof with the right side being a mirror image except for the adjustment lever and scale marks and with the throttle lever arm in a raised position;

FIG. 4 is a bottom plan view thereof;

FIG. 5 is a front elevational view thereof; and

FIG. 6 is a rear elevational view thereof.

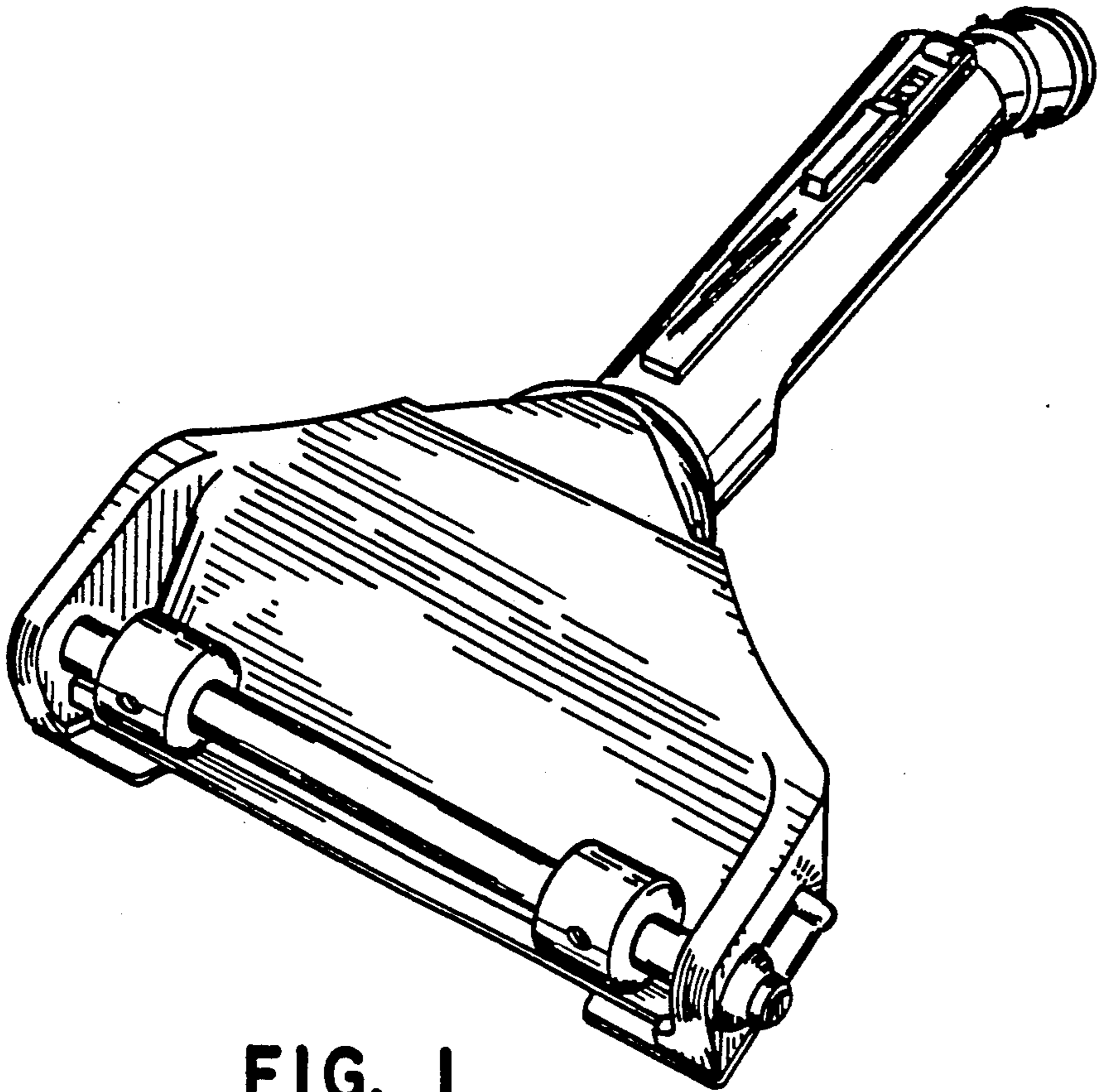


FIG. 1

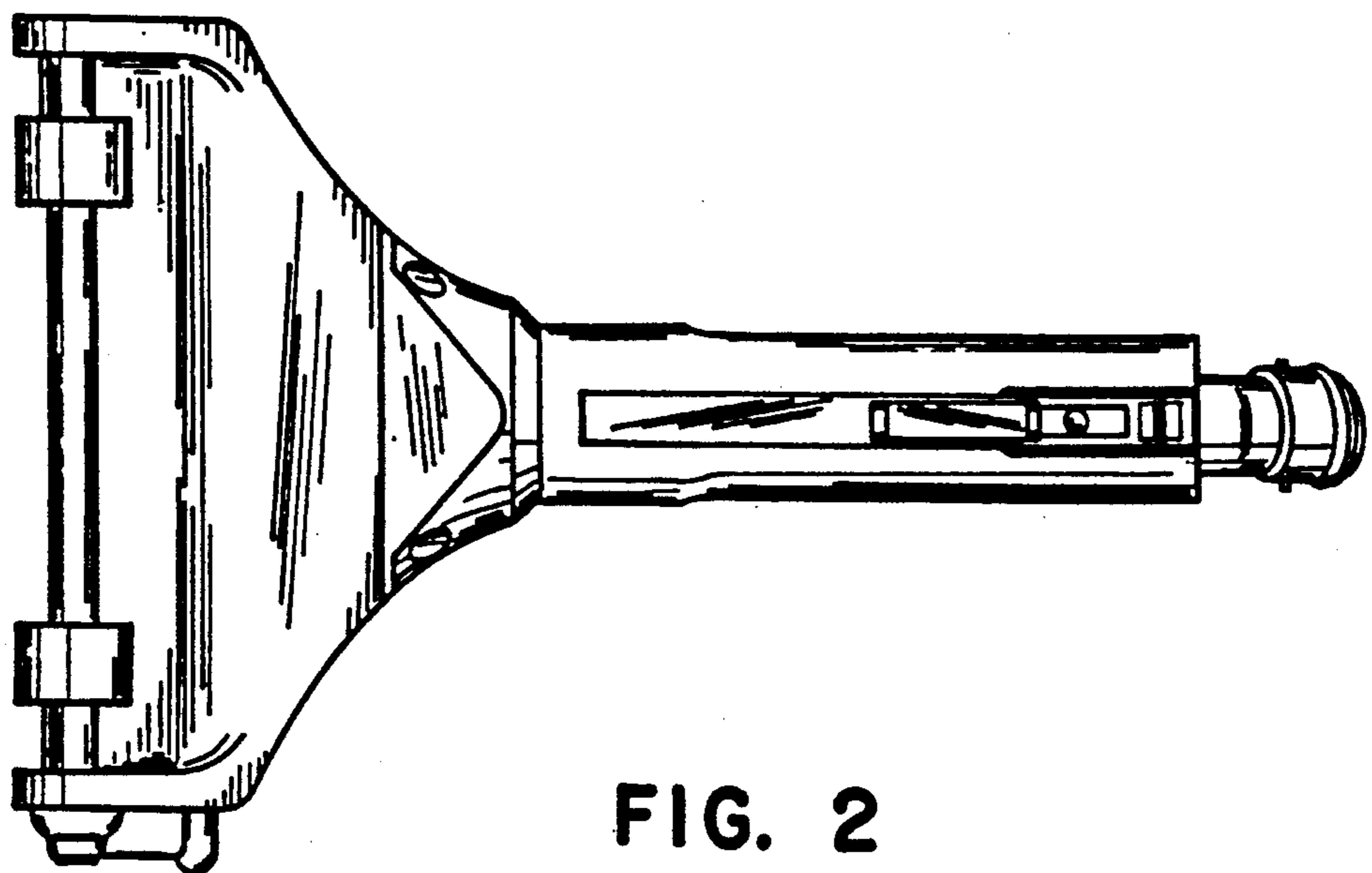


FIG. 2

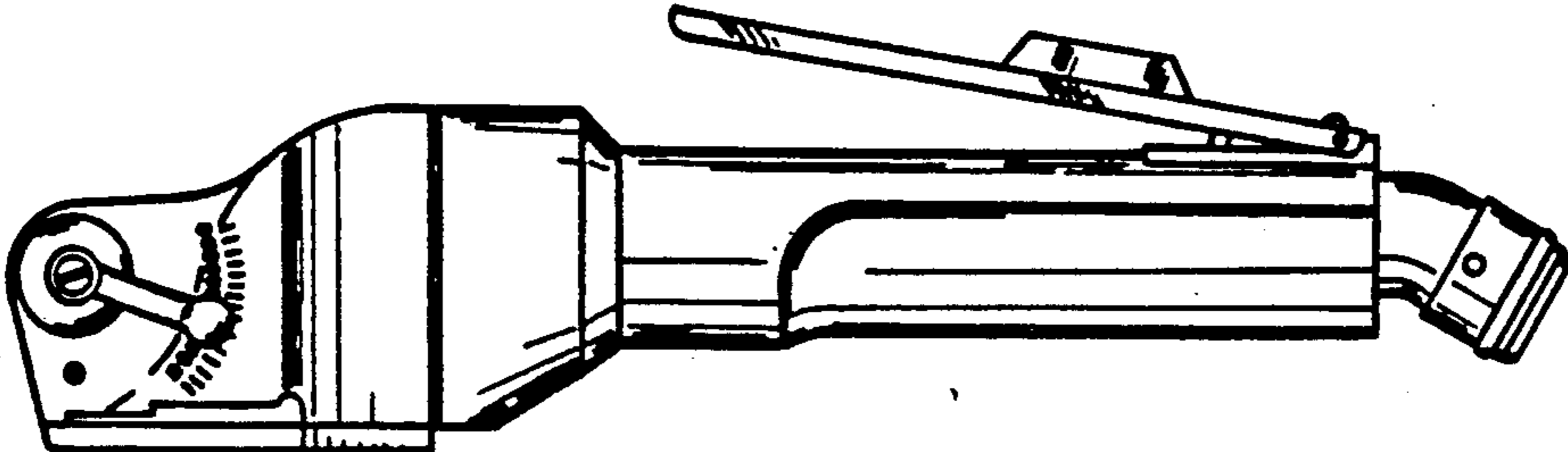


FIG. 3

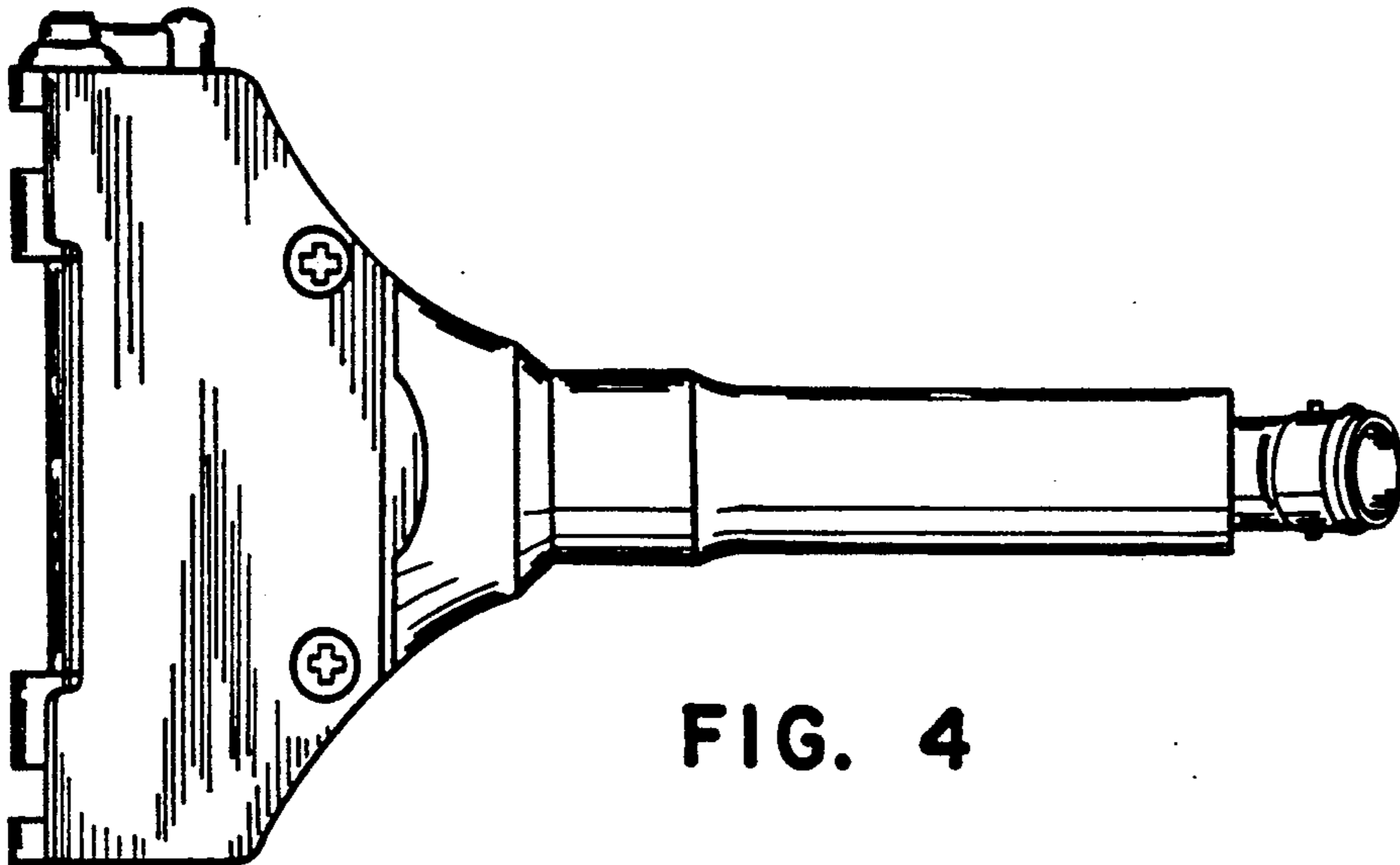


FIG. 4

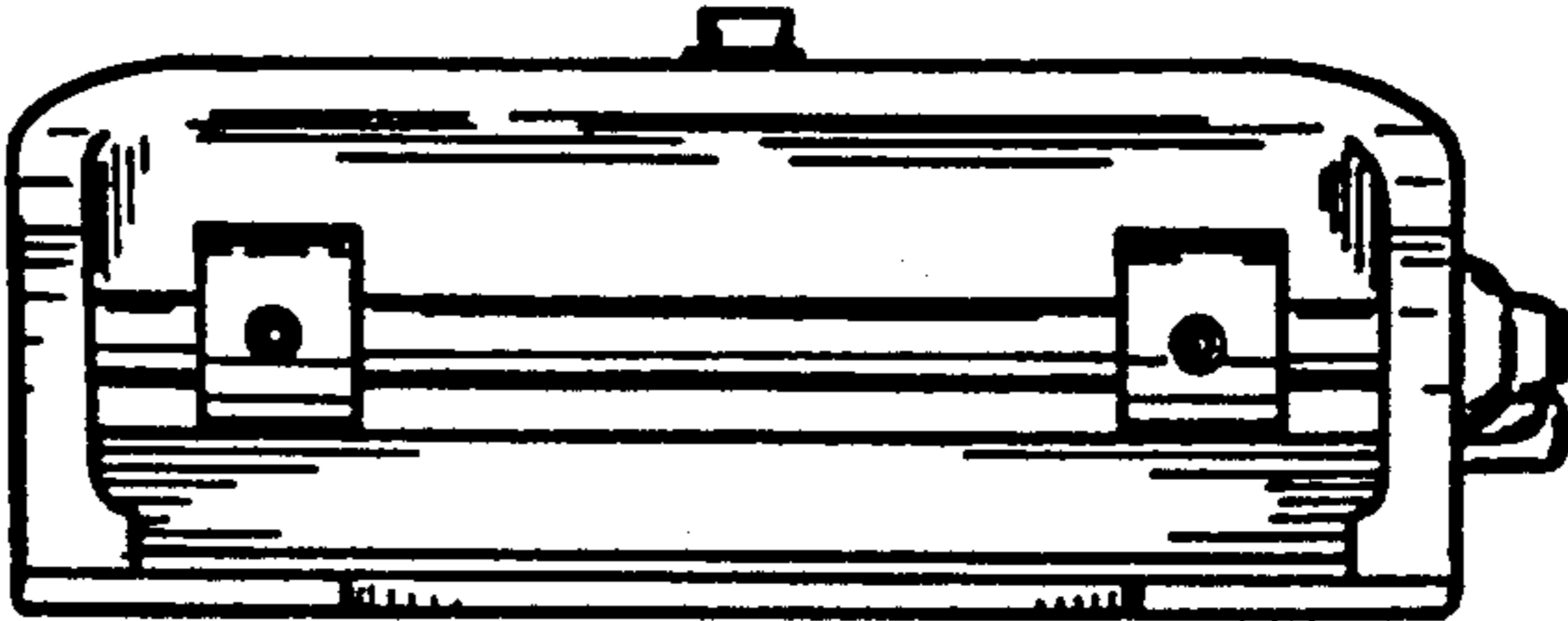


FIG. 5

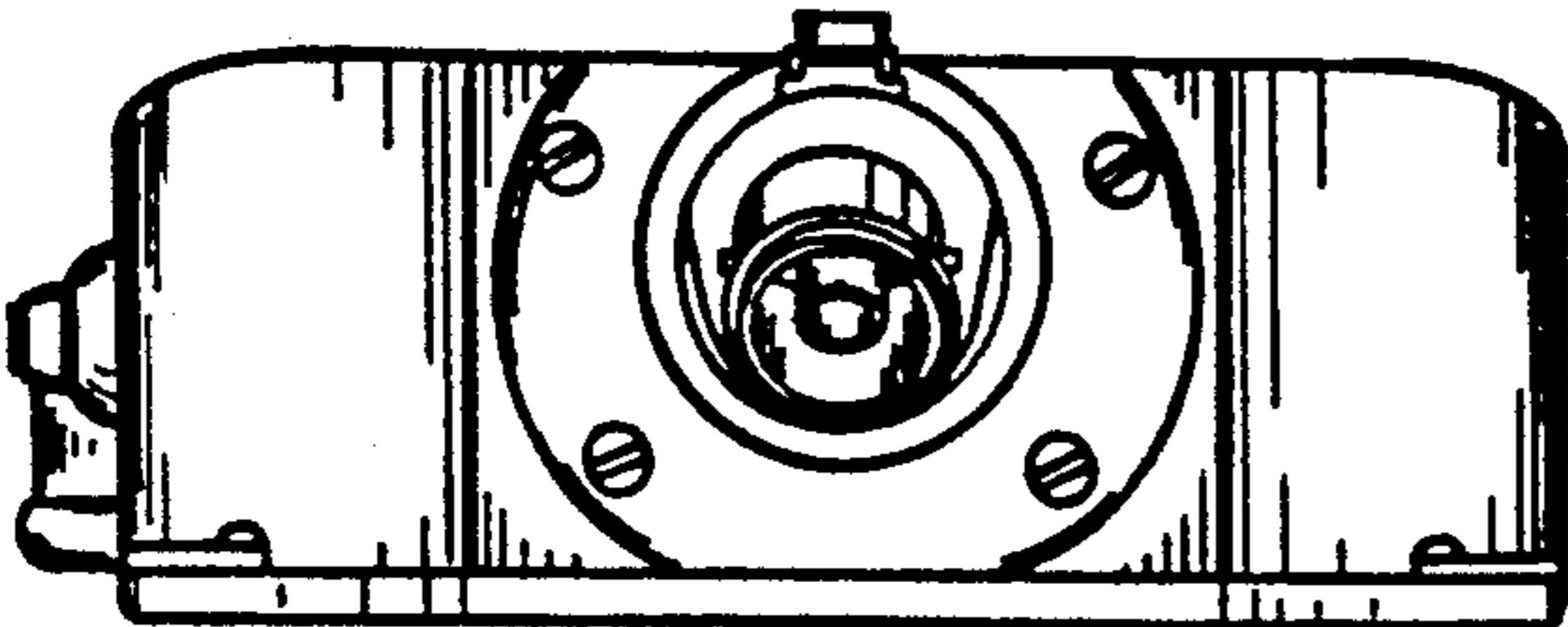


FIG. 6