

United States Patent [19]

Szwarc

[11] Patent Number: **Des. 322,671**

[45] Date of Patent: **** Dec. 24, 1991**

[54] **NEEDLE SHIELD OR THE LIKE**

[75] Inventor: **Joseph M. Szwarc, Cedar Grove, N.J.**

[73] Assignee: **Becton, Dickinson and Company, Franklin Lakes, N.J.**

[**] Term: **14 Years**

[21] Appl. No.: **440,617**

[22] Filed: **Nov. 22, 1989**

[52] U.S. Cl. **D24/130**

[58] Field of Search **D24/130; 604/192-198, 604/199, 187, 263; 206/364**

[56] **References Cited**

U.S. PATENT DOCUMENTS

- D. 267,587 1/1983 Ambrosio et al. .
- D. 297,570 9/1988 Ambrose et al. .

- D. 302,296 7/1989 Harmony .
- 4,148,316 4/1979 Xanthopoulos D24/130 X
- 4,737,149 4/1988 Gillian 604/192
- 4,985,020 1/1991 Kasuya 604/192

Primary Examiner—Stella Reid
Attorney, Agent, or Firm—John L. Voellmicke

[57] **CLAIM**

The ornamental design for a needle shield or the like, as shown and described.

DESCRIPTION

FIG. 1 is a perspective view of a needle shield or the like, showing my design;
FIG. 2 is a top plan view of the needle shield of FIG. 1;
FIG. 3 is a bottom plan view of the needle shield of FIG. 1; and
FIG. 4 is a side elevational view of the needle shield of FIG. 1, with all other sides being identical thereof.

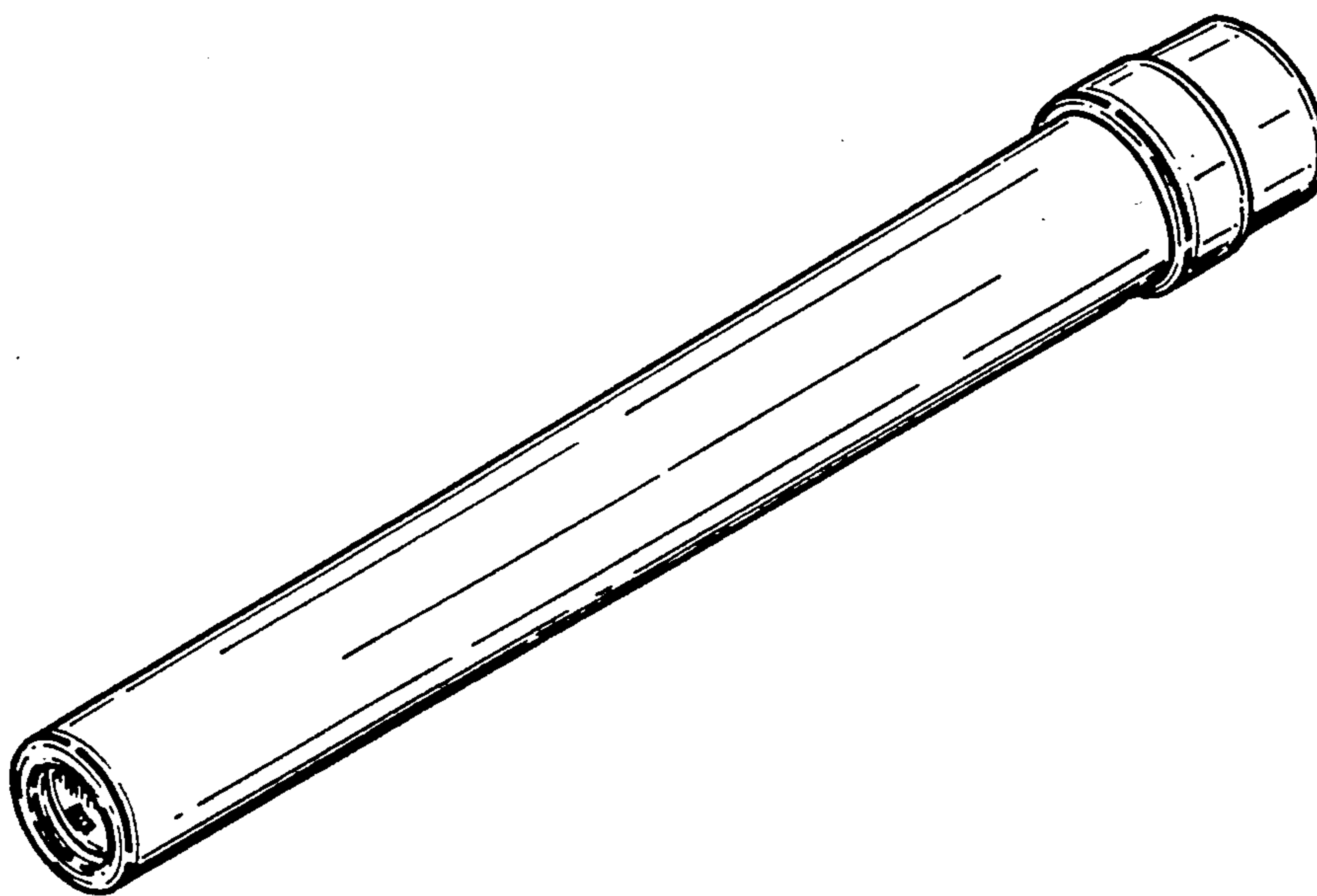


FIG-1

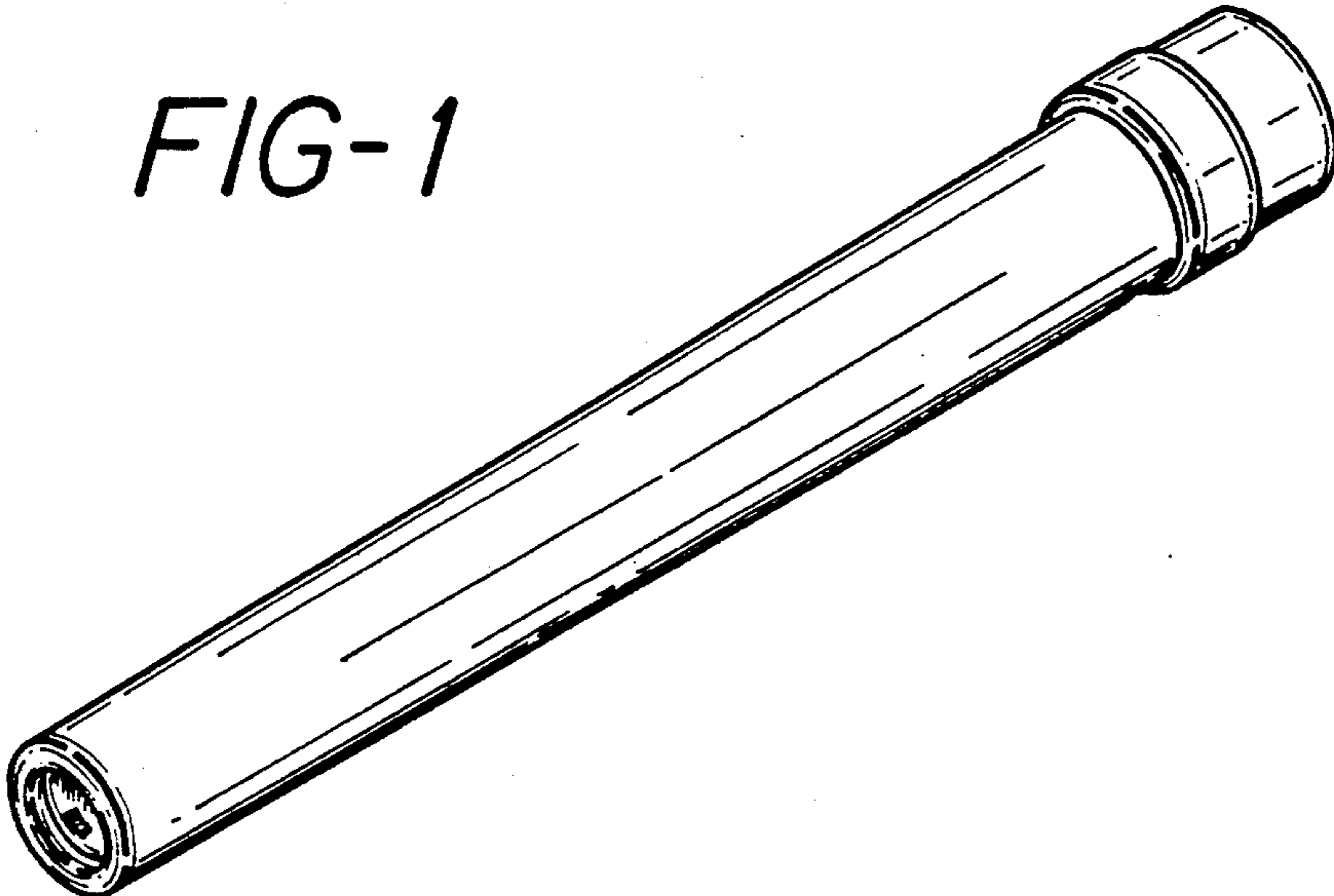


FIG-2

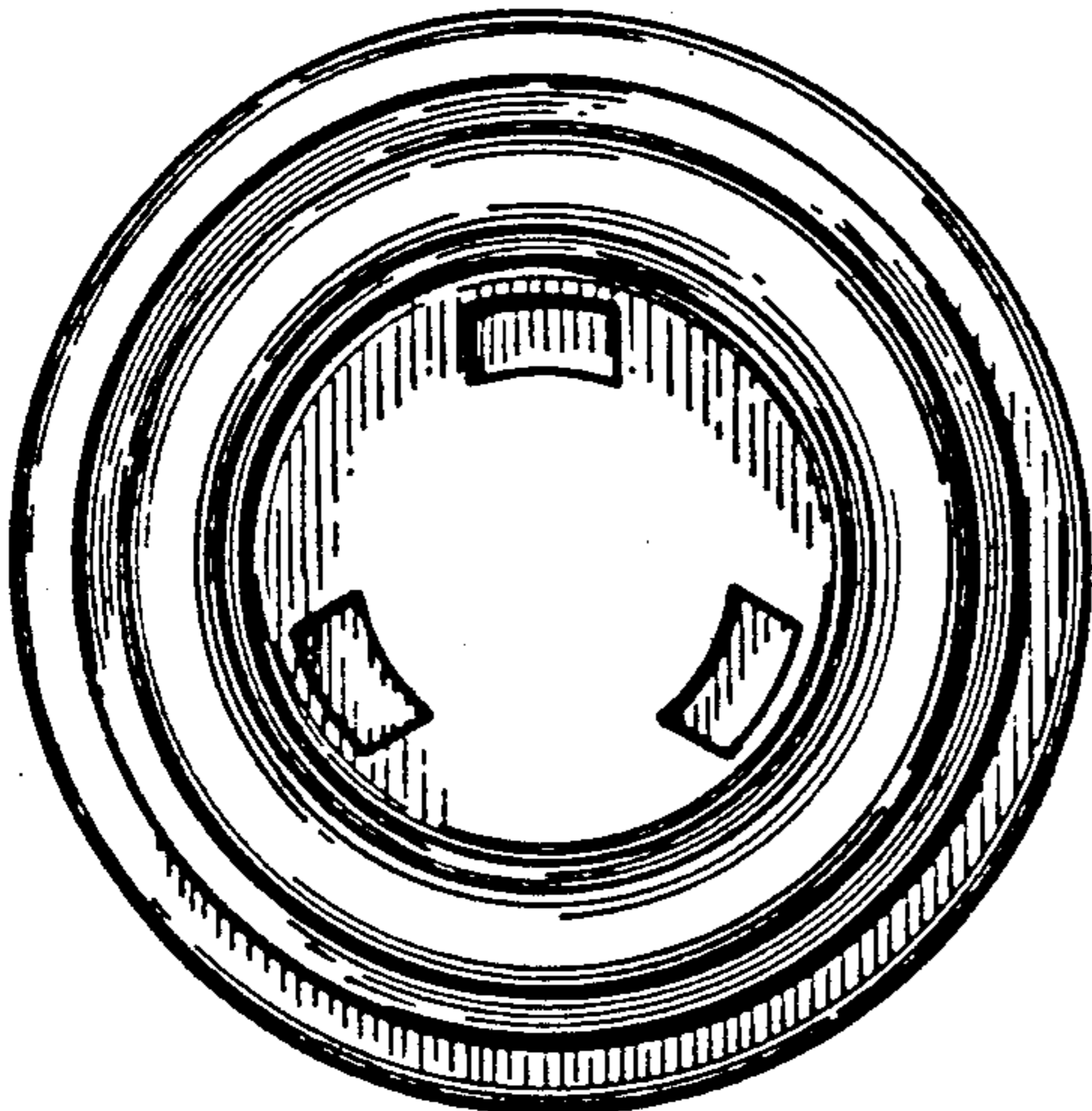


FIG-3

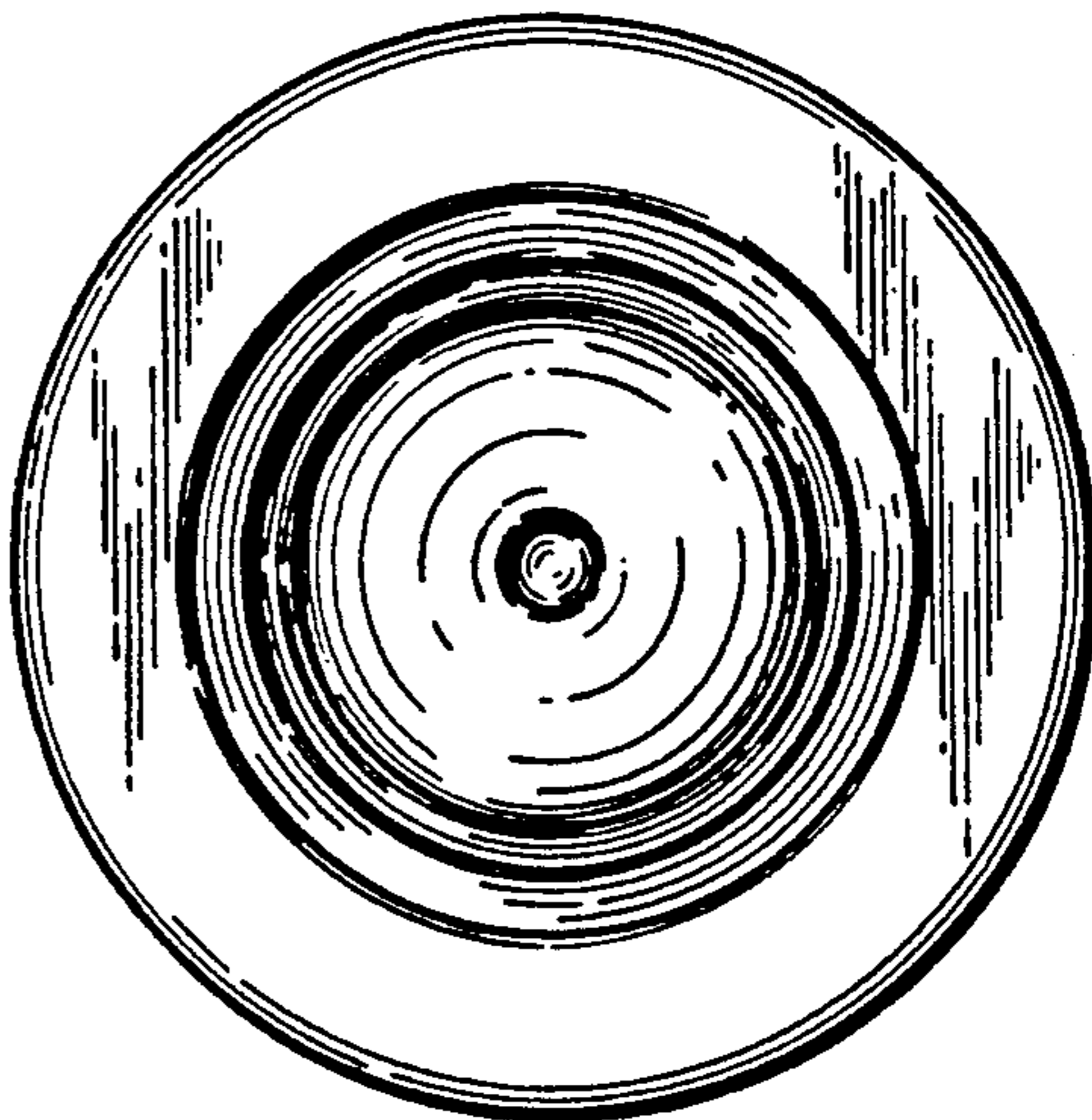


FIG-4

