

[54] AIR CONDITIONER

[75] Inventors: Mamoru Fukuda, Yokohama; Takuma Watanabe, Oiso, both of Japan

[73] Assignee: Kabushiki Kaisha Toshiba, Kanagawa, Japan

[\*\*] Term: 14 Years

[21] Appl. No.: 541,288

[22] Filed: Jun. 20, 1990

[30] Foreign Application Priority Data

Dec. 22, 1989 [JP] Japan ..... 1-46652

[52] U.S. Cl. .... D23/351

[58] Field of Search ..... D23/351, 354; 62/DIG. 16; 98/40.05

[56] References Cited

U.S. PATENT DOCUMENTS

- D. 307,466 4/1990 Takasuna et al. .... D23/351
- D. 307,467 4/1990 Shimano et al. .... D23/351
- 4,458,502 7/1984 Adachi et al. .... 62/DIG. 16

FOREIGN PATENT DOCUMENTS

- 197922 9/1986 Japan ..... 62/DIG. 16
- 237933 10/1986 Japan ..... 98/40.05
- 703869 1/1987 Japan .
- 703877 1/1987 Japan .
- 578660 3/1987 Japan .

- 578661 3/1987 Japan .
- 713448 6/1987 Japan .
- 713449 6/1987 Japan .
- 715764 7/1987 Japan .
- 715,764-1 7/1987 Japan .
- 715,764-2 7/1987 Japan .
- 715,764-4 7/1987 Japan .
- 715,764-5 7/1987 Japan .

Primary Examiner—Susan J. Lucas  
Assistant Examiner—Lisa Lichtenstein  
Attorney, Agent, or Firm—Banner, Birch, McKie & Beckett

[57] CLAIM

The ornamental design for an air conditioner, as shown and described.

DESCRIPTION

FIG. 1 is a front, bottom, and right side perspective view of an air conditioner, with the louvre in open position;

FIG. 2 is a front elevational view thereof with the louvre in closed position;

FIG. 3 is a top plan view with the louvre in closed position;

FIG. 4 is a left side elevational view thereof, with the louvre in closed position, the right side being a mirror image of that shown;

FIG. 5 is a bottom plan view thereof with the louvre in closed position; and

FIG. 6 is a rear elevational view thereof.

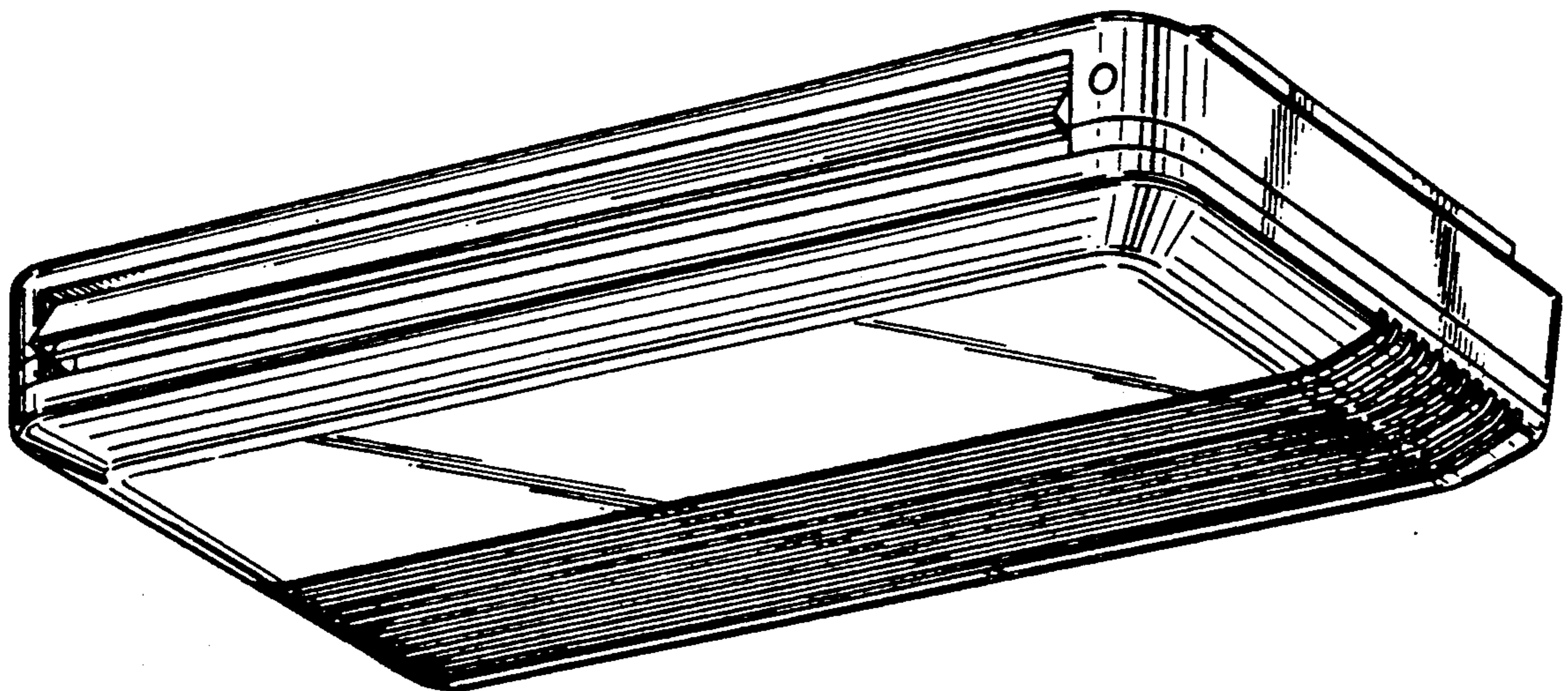


FIG. 1

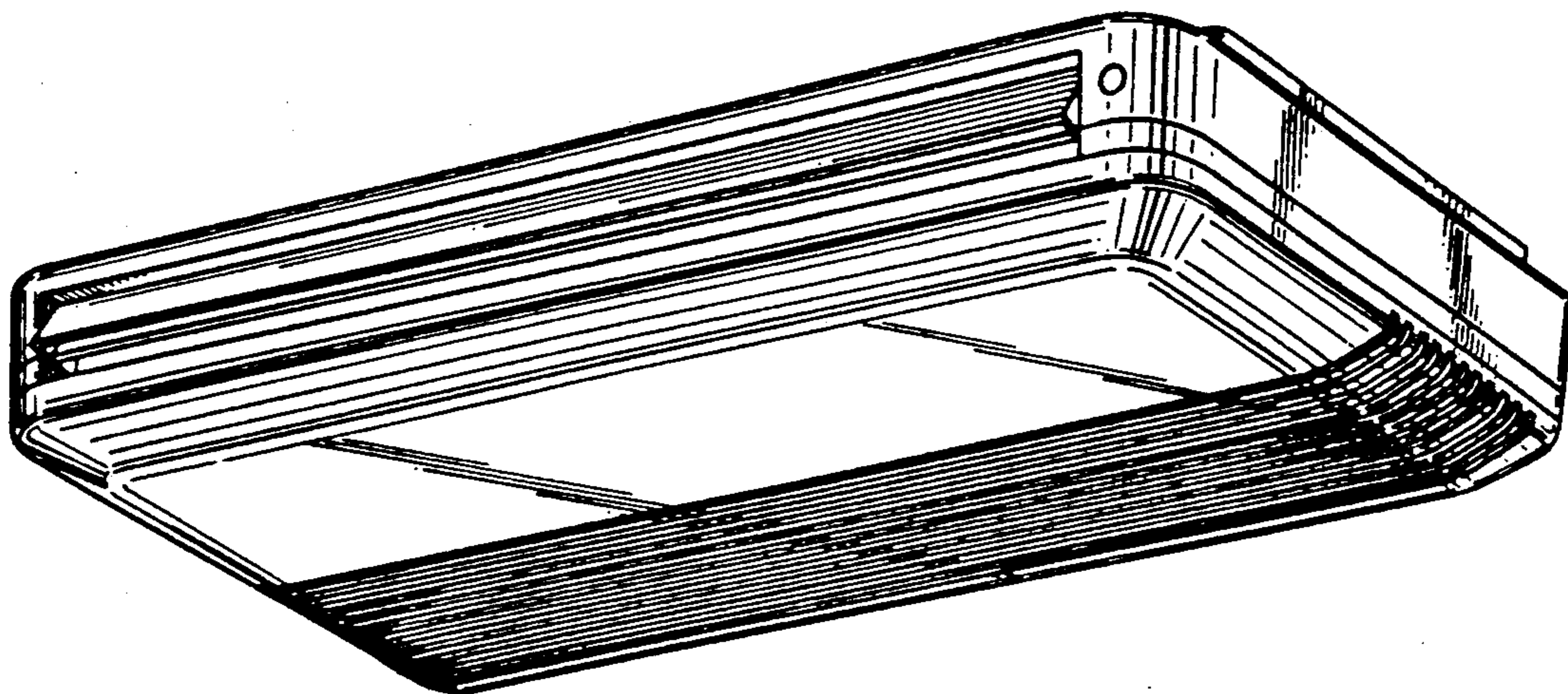


FIG. 2

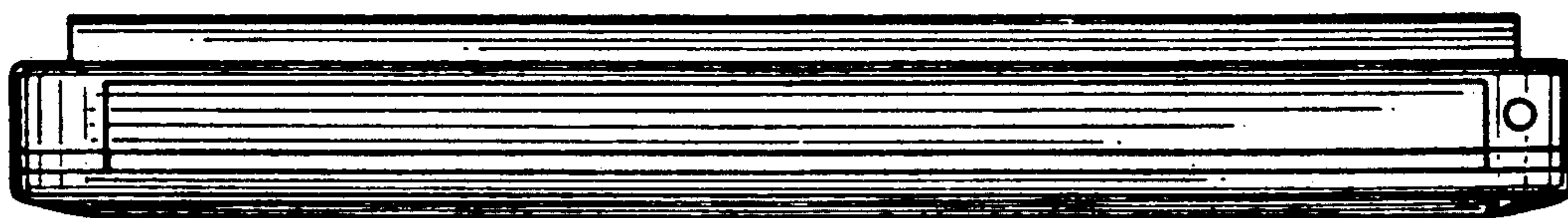


FIG. 3

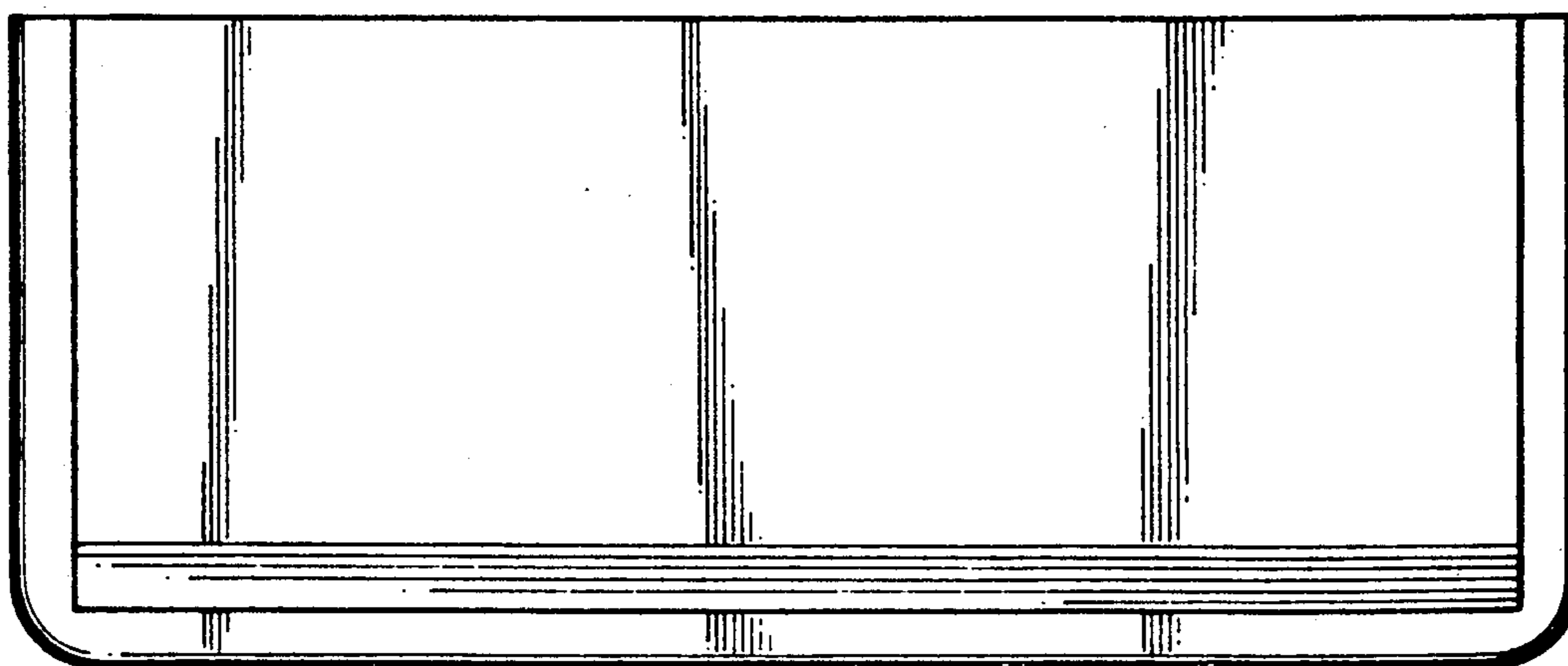


FIG.4

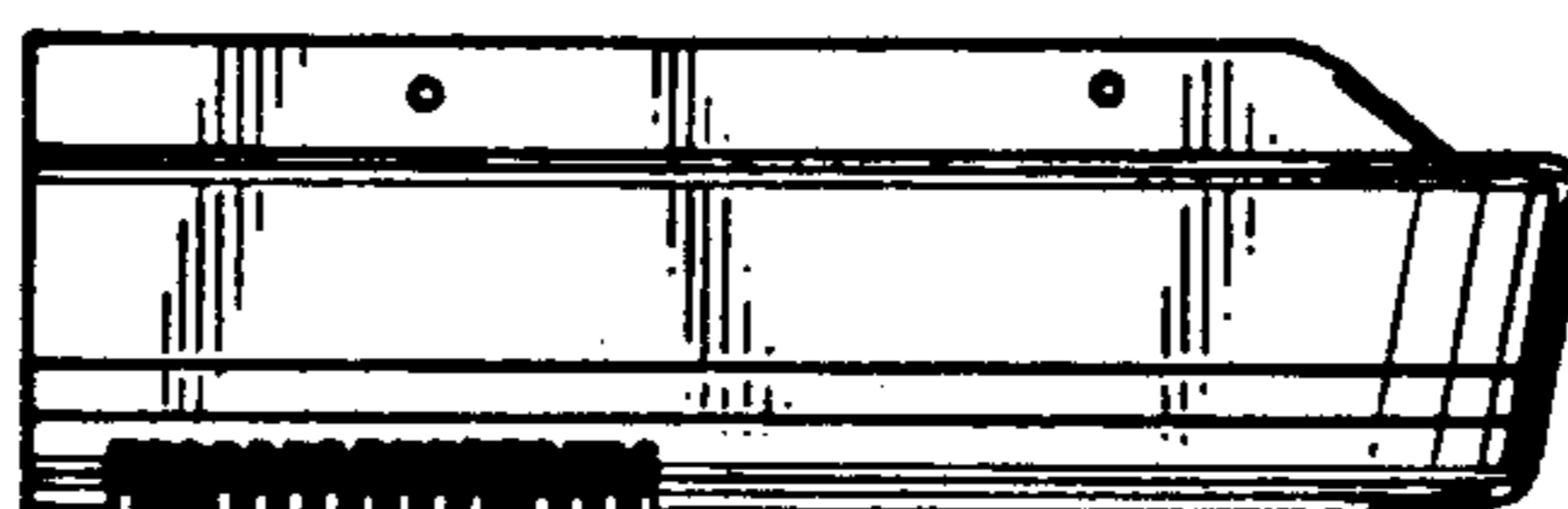


FIG.5

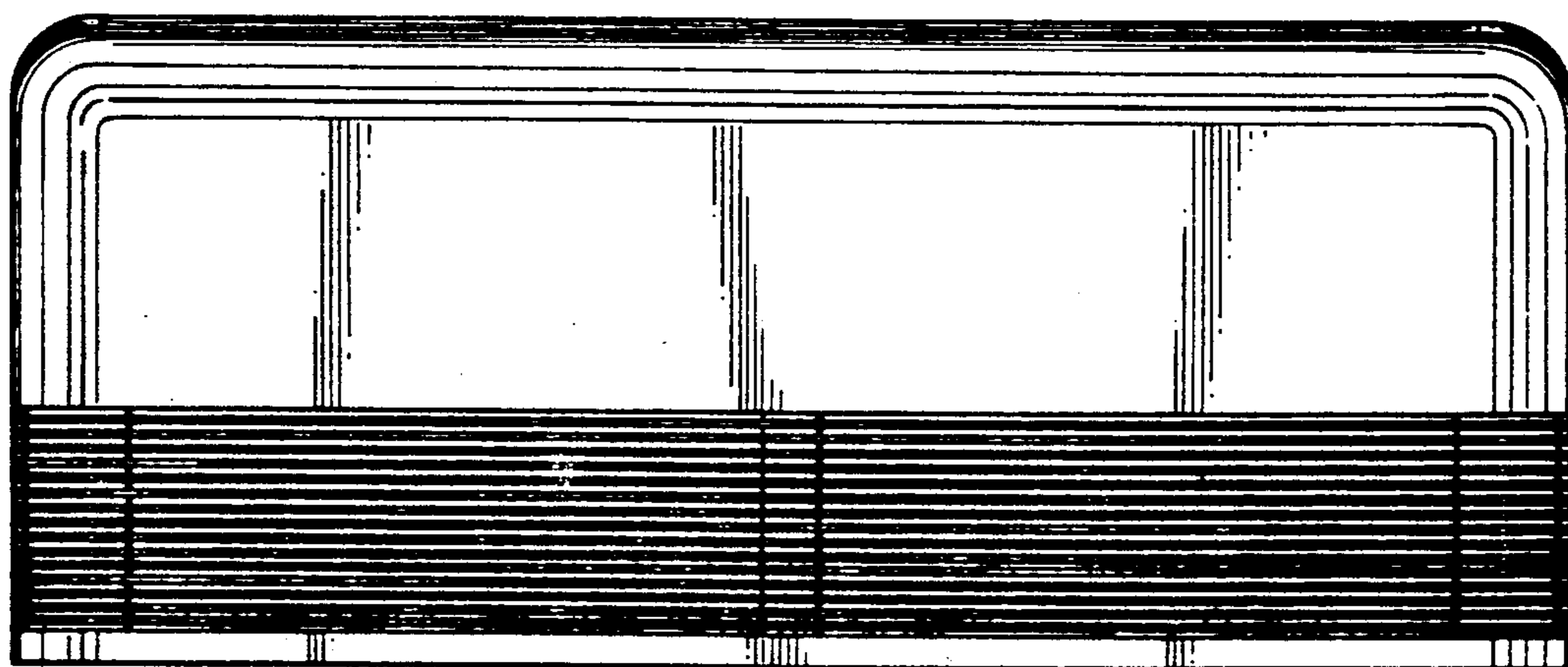


FIG.6

