

[54] **CAR HEATER**

- [75] **Inventor:** Bert Bobrovniczky, Don Mills,
Canada
- [73] **Assignee:** Pyroil Canada Limited, Mississauga,
Canada
- [**] **Term:** 14 Years
- [21] **Appl. No.:** 387,309
- [22] **Filed:** Jul. 31, 1989
- [52] **U.S. Cl.** D23/324
- [58] **Field of Search** D23/324; D28/12, 13,
D28/14, 15, 16, 17, 18; 237/12.3 A; 219/202;
392/383; 62/239

[56] **References Cited**

U.S. PATENT DOCUMENTS

D. 120,935	6/1940	Lippitt	D23/324
D. 122,551	9/1940	Lippitt	D23/324
D. 151,469	10/1948	Reinecke	D23/324
D. 190,788	6/1961	Carpenter	D28/16
3,265,075	8/1966	Edman et al.	D28/15
3,612,069	10/1971	Waters et al.	392/383

FOREIGN PATENT DOCUMENTS

514566 11/1939 United Kingdom 237/12.3 A

OTHER PUBLICATIONS

House & Garden 5/73, p. 140, (6) Hand Hairdryer
w/Folding Handle, bottom right side of page.

Primary Examiner—Susan J. Lucas
Assistant Examiner—Lisa Lichtenstein
Attorney, Agent, or Firm—Kenneth M. Garrett

[57] **CLAIM**

The ornamental design for a car heater, as shown.

DESCRIPTION

FIG. 1 is a perspective view from the top left front side of a car heater showing my new design;
FIG. 2 is a right side elevation view thereof;
FIG. 3 is a left side elevation view thereof;
FIG. 4 is a top plan view thereof;
FIG. 5 is a bottom plan view thereof;
FIG. 6 is a rear end elevation view thereof, and
FIG. 7 is a front elevation view thereof.

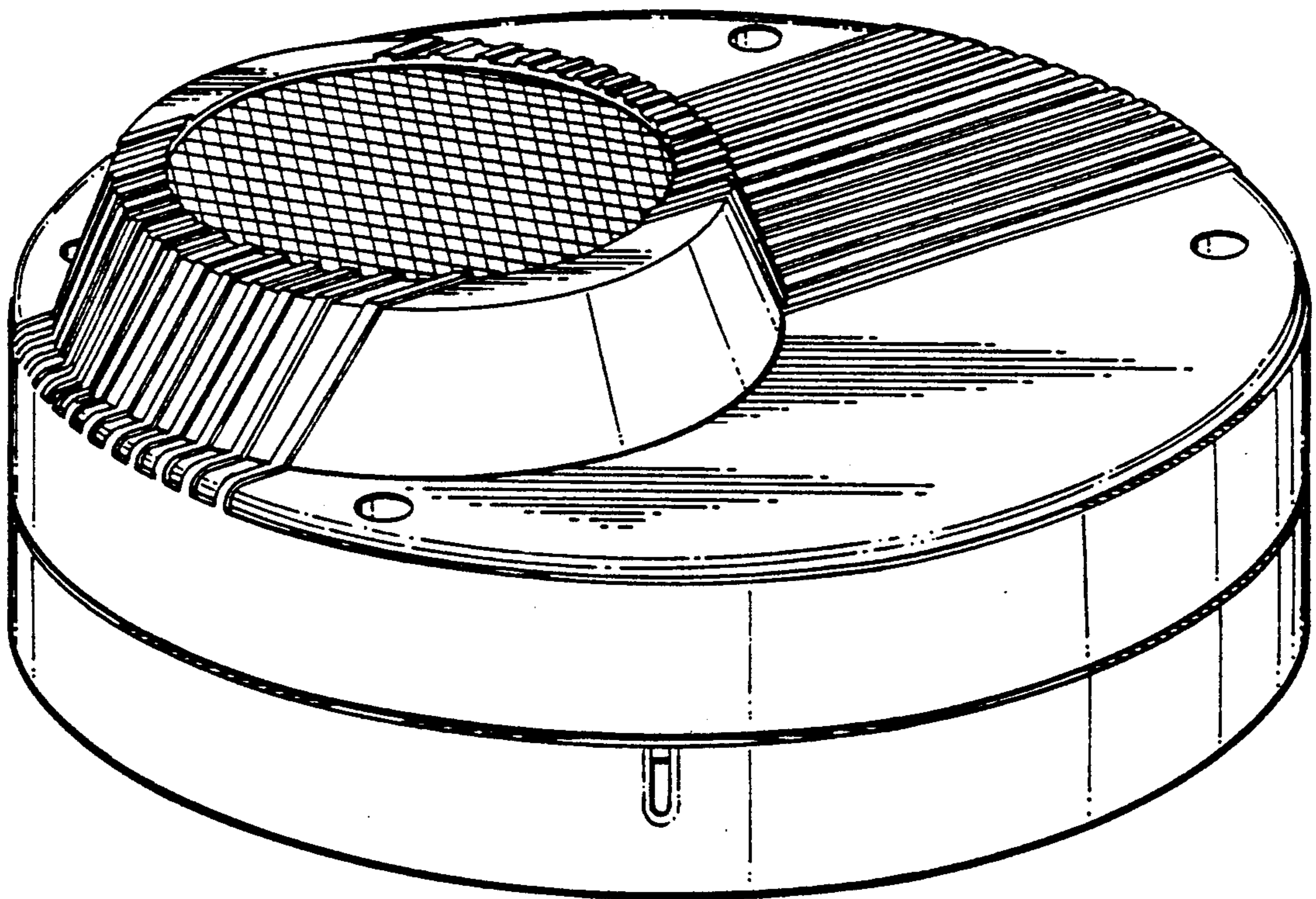


FIG. 1.

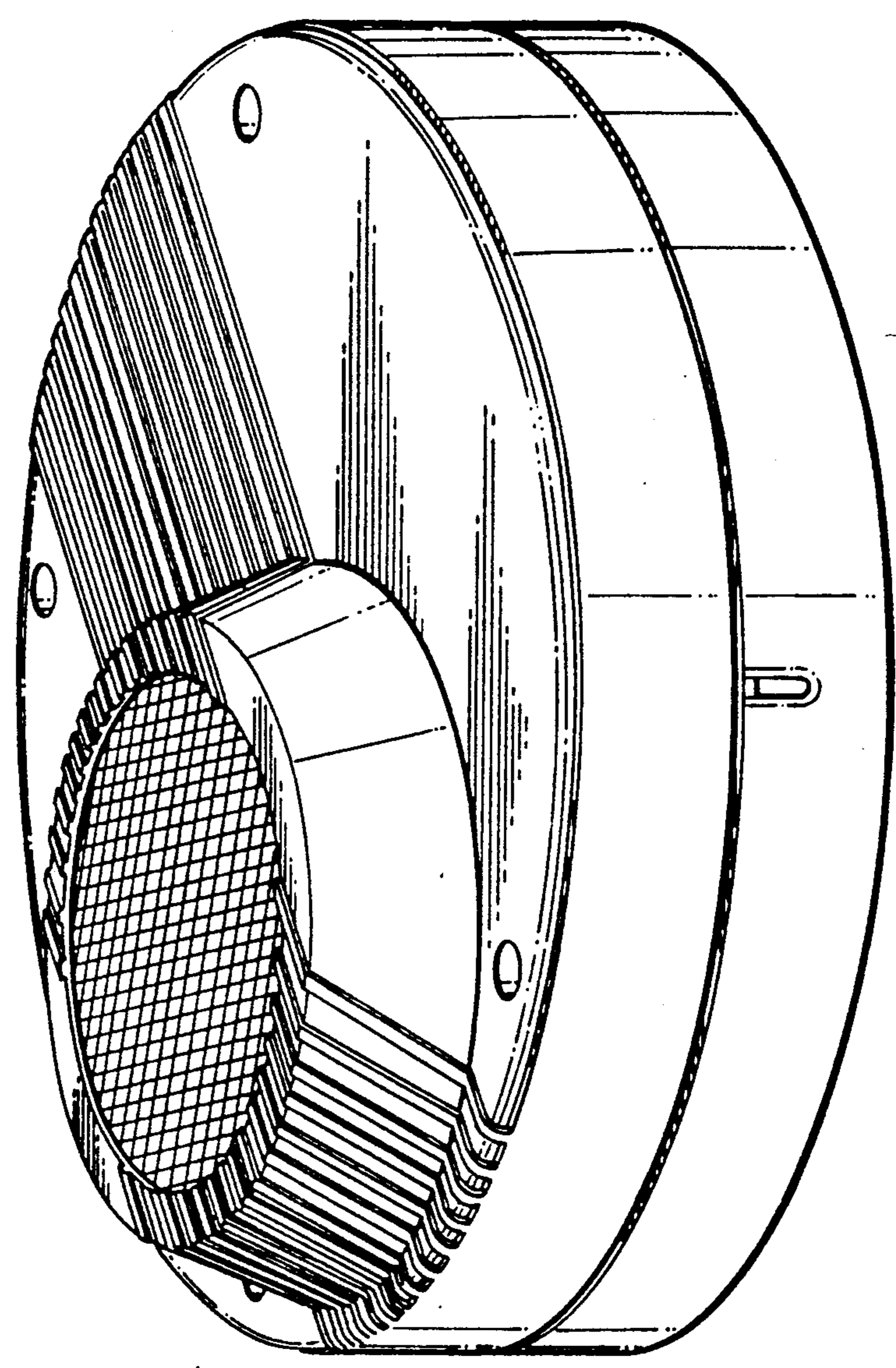


FIG. 2.

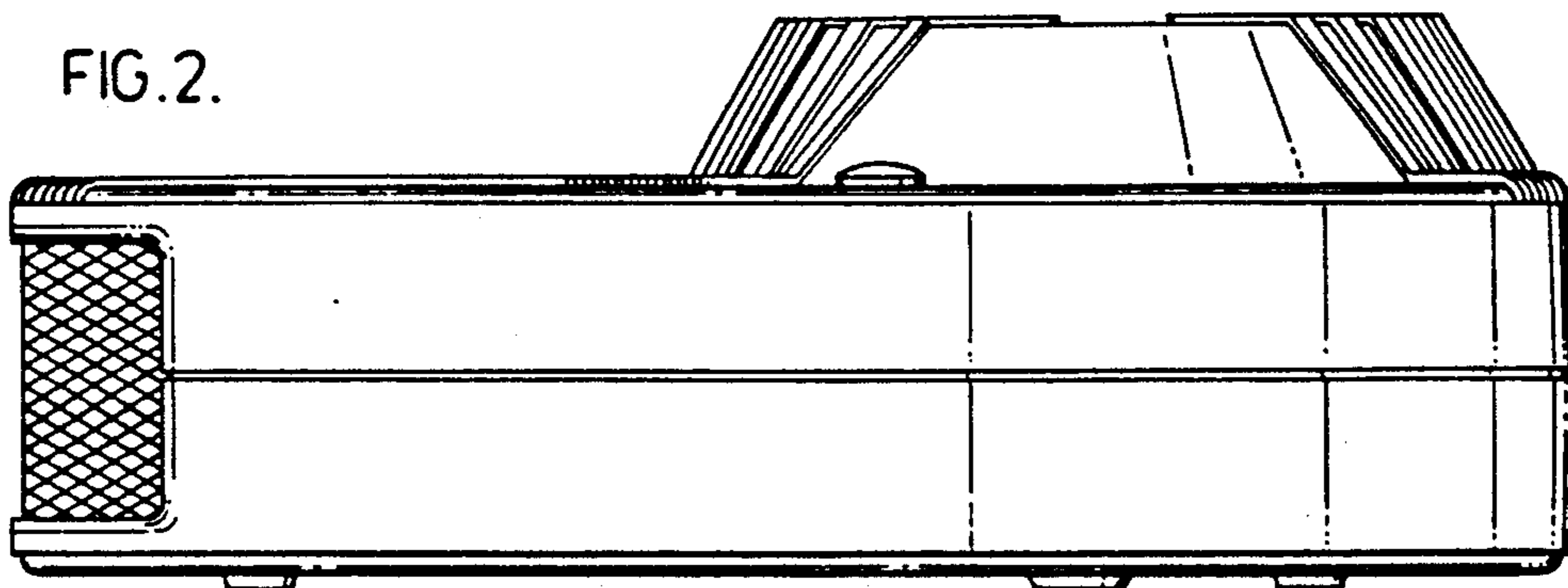


FIG. 3.

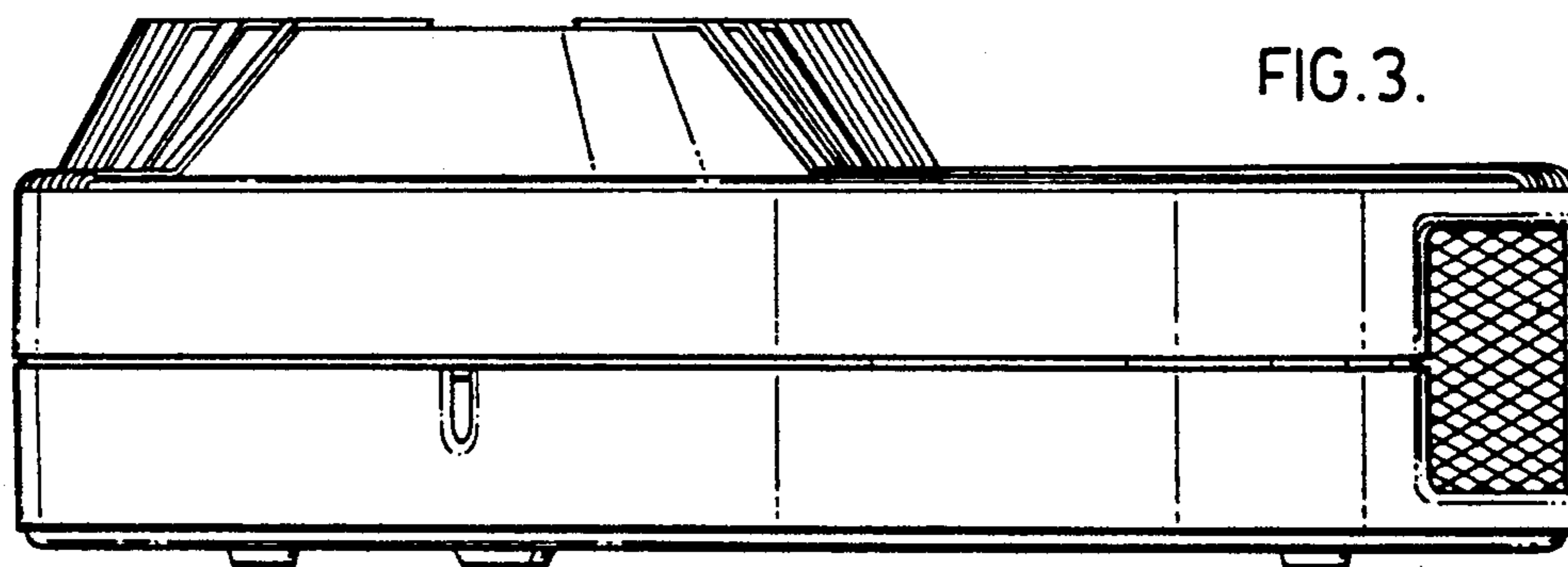


FIG. 4.

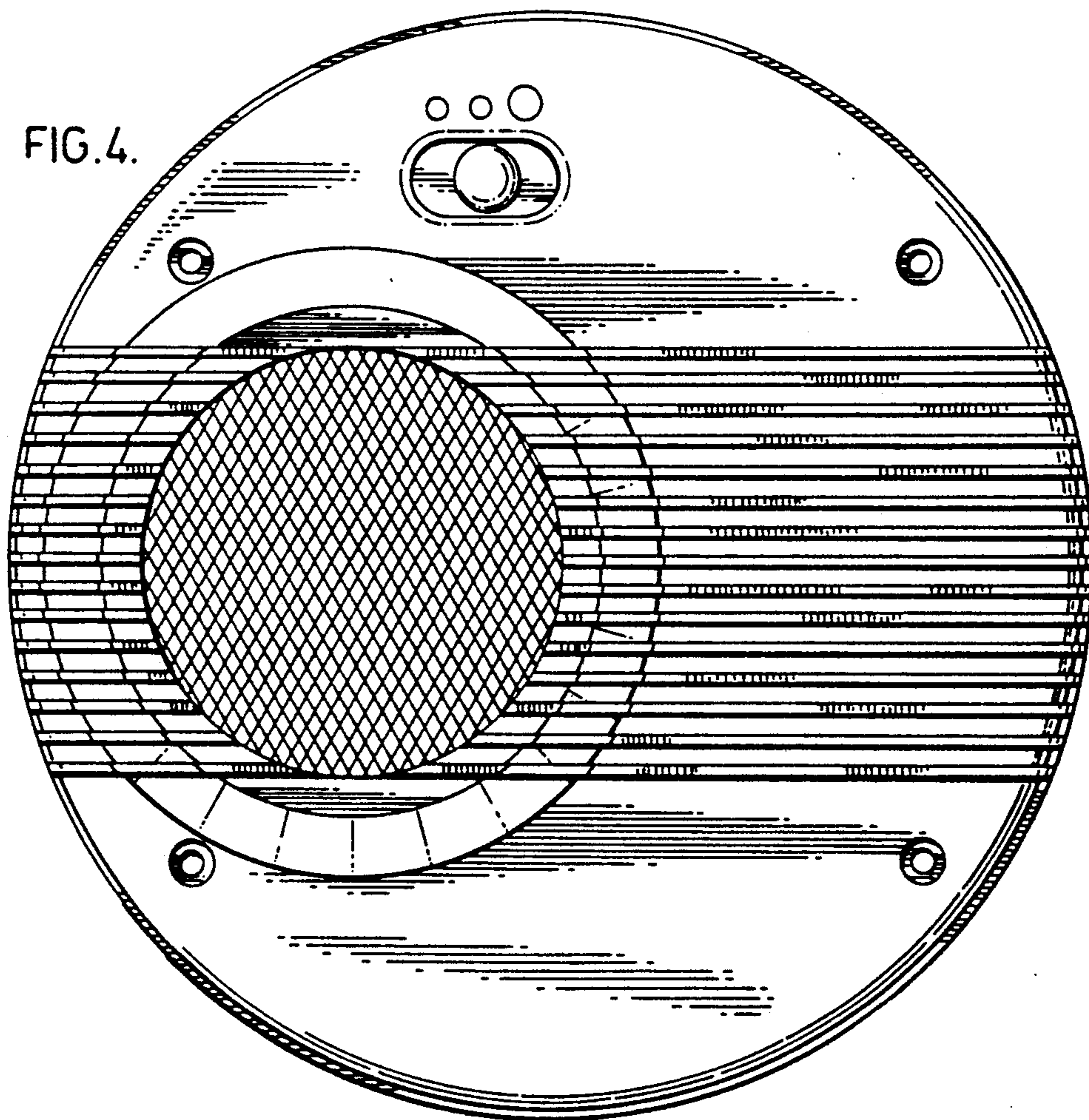


FIG. 5.

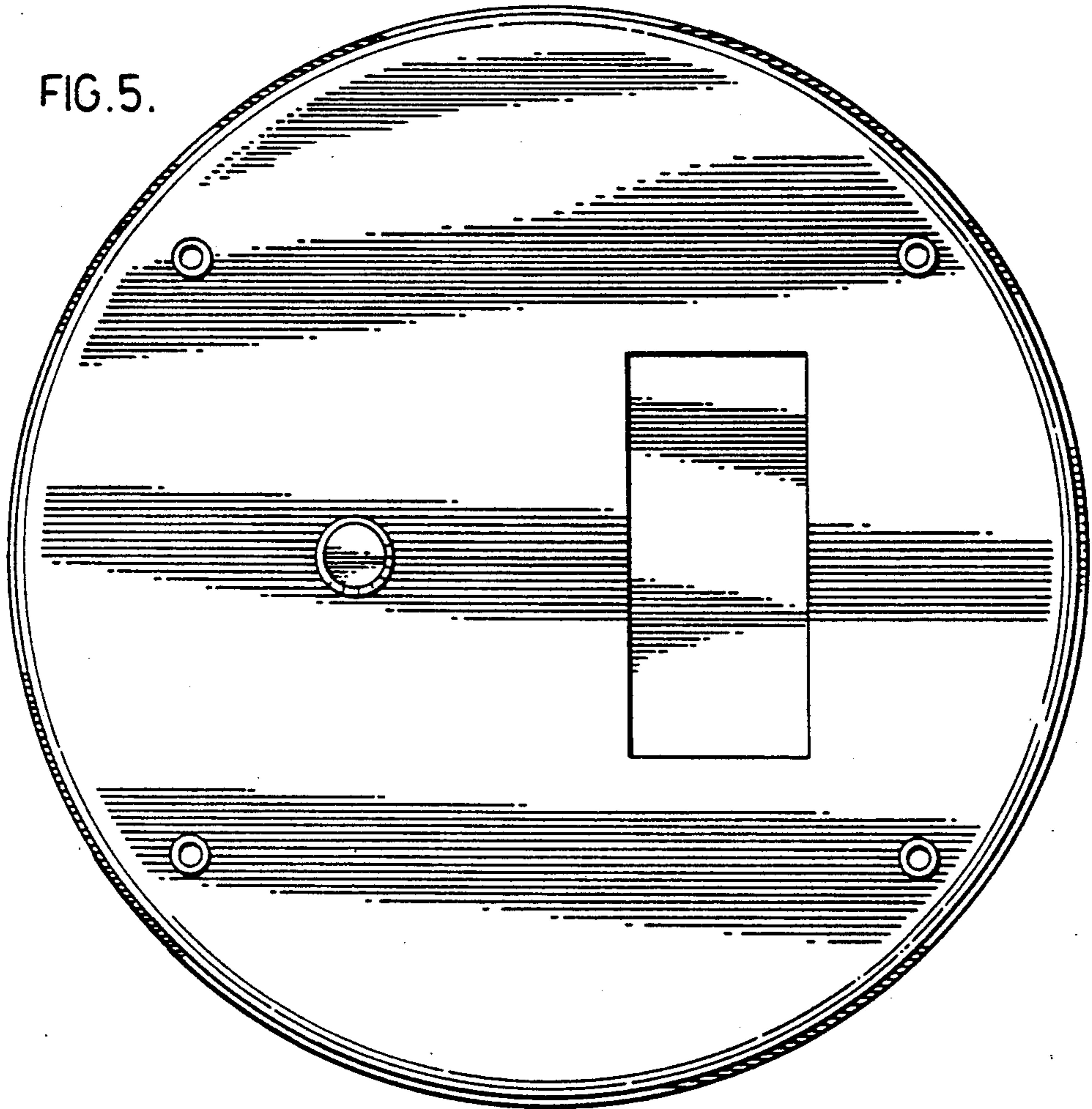


FIG. 6.

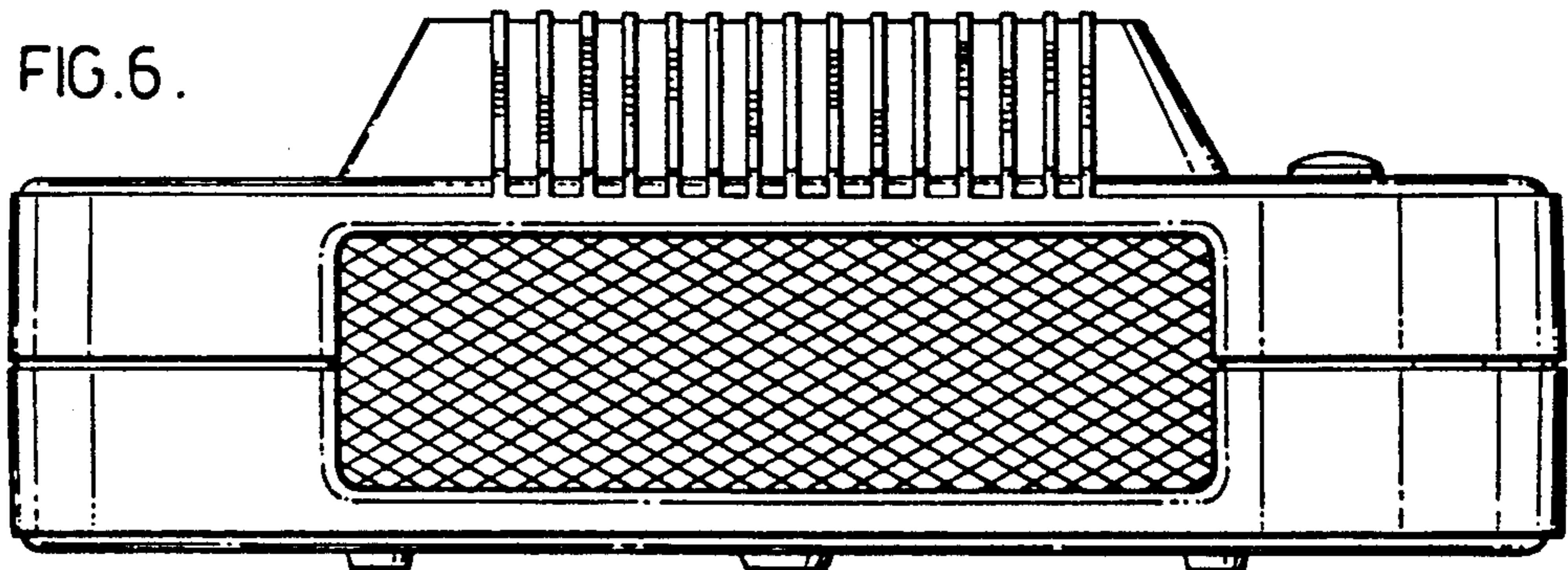


FIG. 7.

