

[54] **CAR HEATER**

3,584,390 6/1971 Barker D28/16
3,724,232 4/1973 Dixon et al. 62/239

[75] **Inventor: Bert Bobrovniczky, Don Mills,
Canada**

[73] **Assignee: Pyroil Canada Limited, Mississauga,
Canada**

[**] **Term: 14 Years**

[21] **Appl. No.: 387,307**

[22] **Filed: Jul. 31, 1989**

[52] **U.S. Cl. D23/324**

[58] **Field of Search D23/324; 237/12.3 A;
392/383; 219/202; D28/12, 13, 14, 15, 16, 17,
18; 62/239**

[56] **References Cited**

U.S. PATENT DOCUMENTS

D. 120,935 6/1940 Lippitt D23/324
D. 122,551 9/1940 Lippitt D23/324
D. 151,469 10/1948 Reinecke D23/324
D. 190,788 6/1961 Carpenter D28/16

OTHER PUBLICATIONS

House & Garden, 5/73, p. 140, (6) Hand Hairdryer with a Folding Handle.

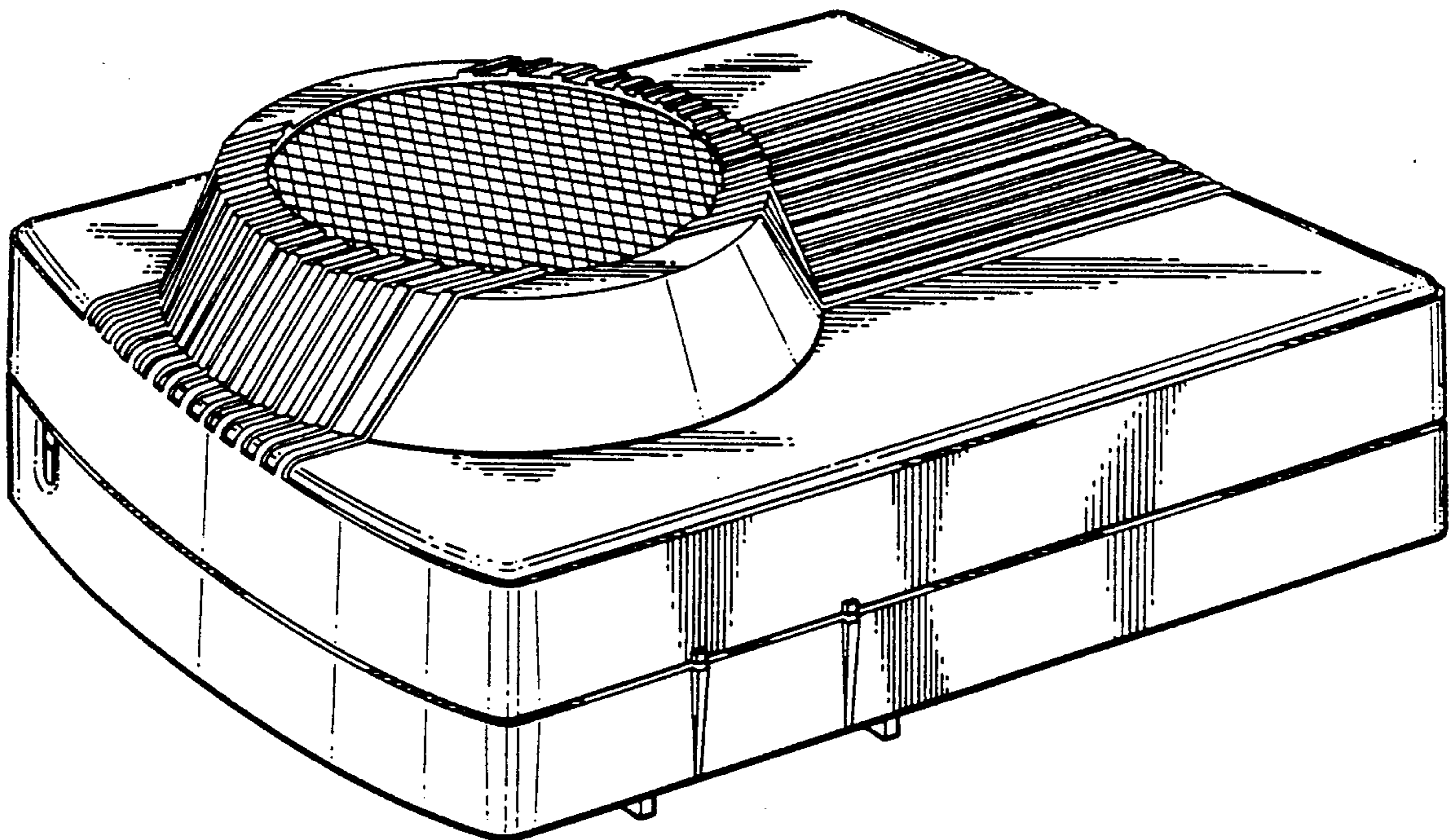
Primary Examiner—Susan J. Lucas
Assistant Examiner—Lisa Lichtenstein
Attorney, Agent, or Firm—Kenneth M. Garrett

[57] **CLAIM**

The ornamental design for a car heater, as shown.

DESCRIPTION

FIG. 1 is a perspective view from the top left front side of a car heater showing my new design;
FIG. 2 is a right side elevation view thereof;
FIG. 3 is a left side elevation view thereof;
FIG. 4 is a top plan view thereof;
FIG. 5 is a bottom plan view thereof;
FIG. 6 is a rear end elevation view thereof;
FIG. 7 is a front elevation view thereof.



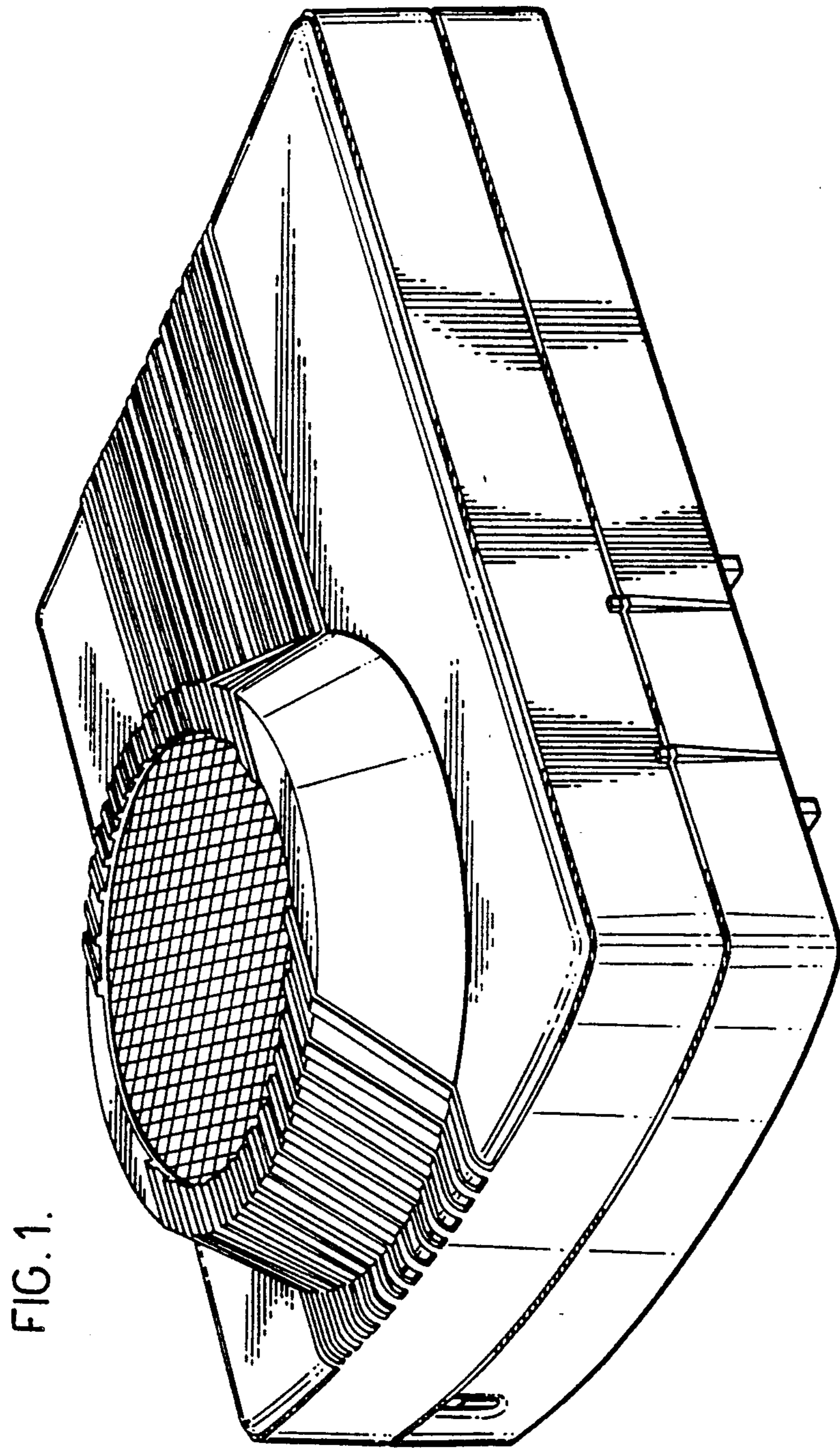


FIG. 1.

FIG. 2.

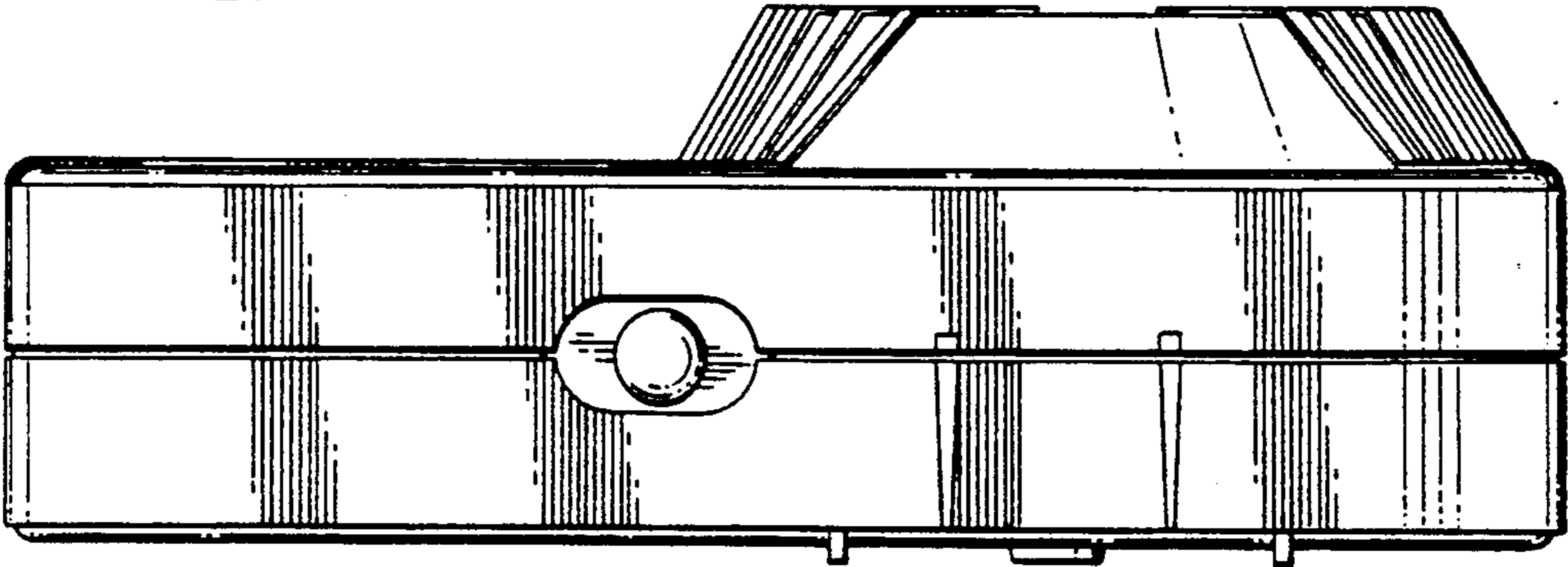


FIG. 3.

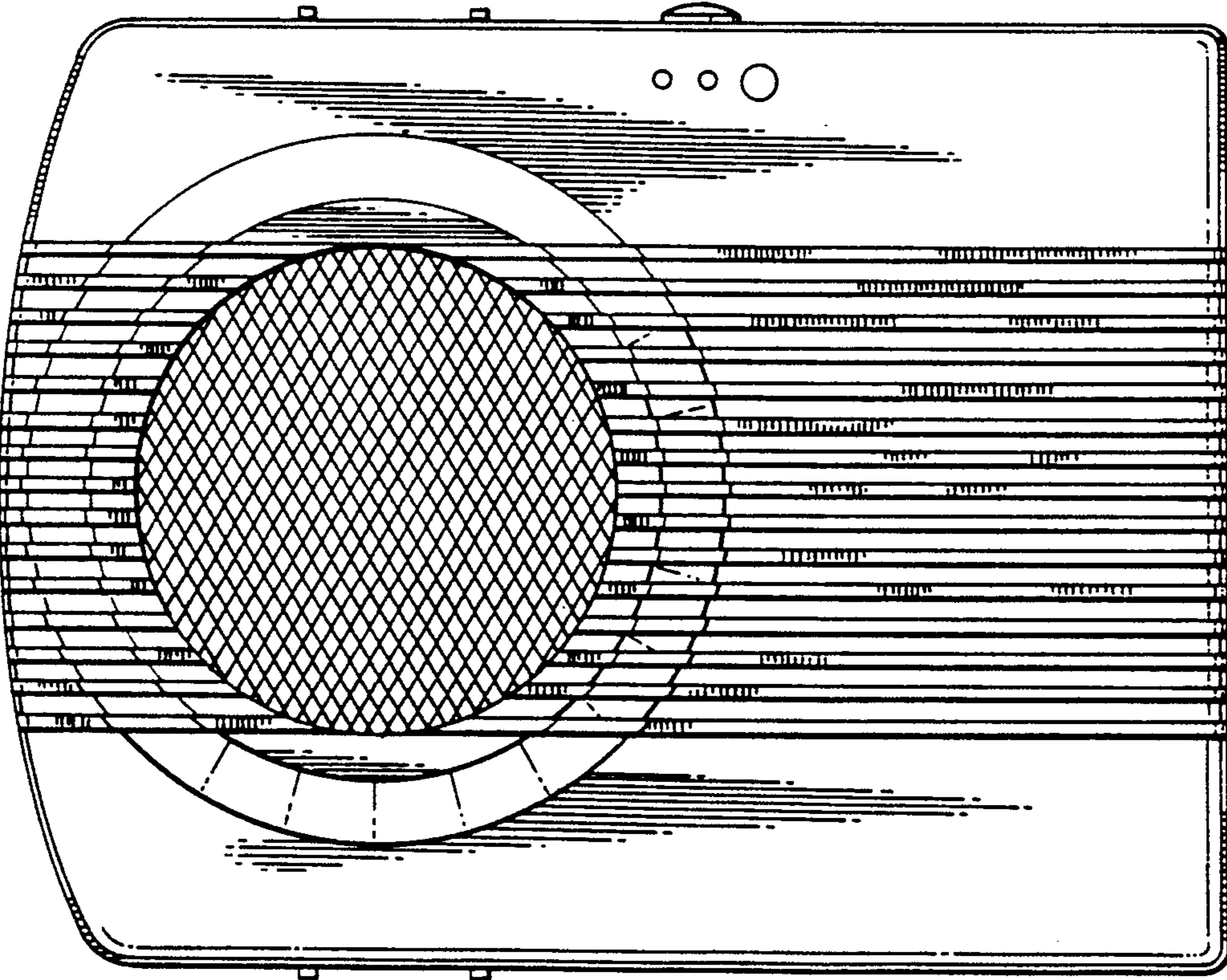
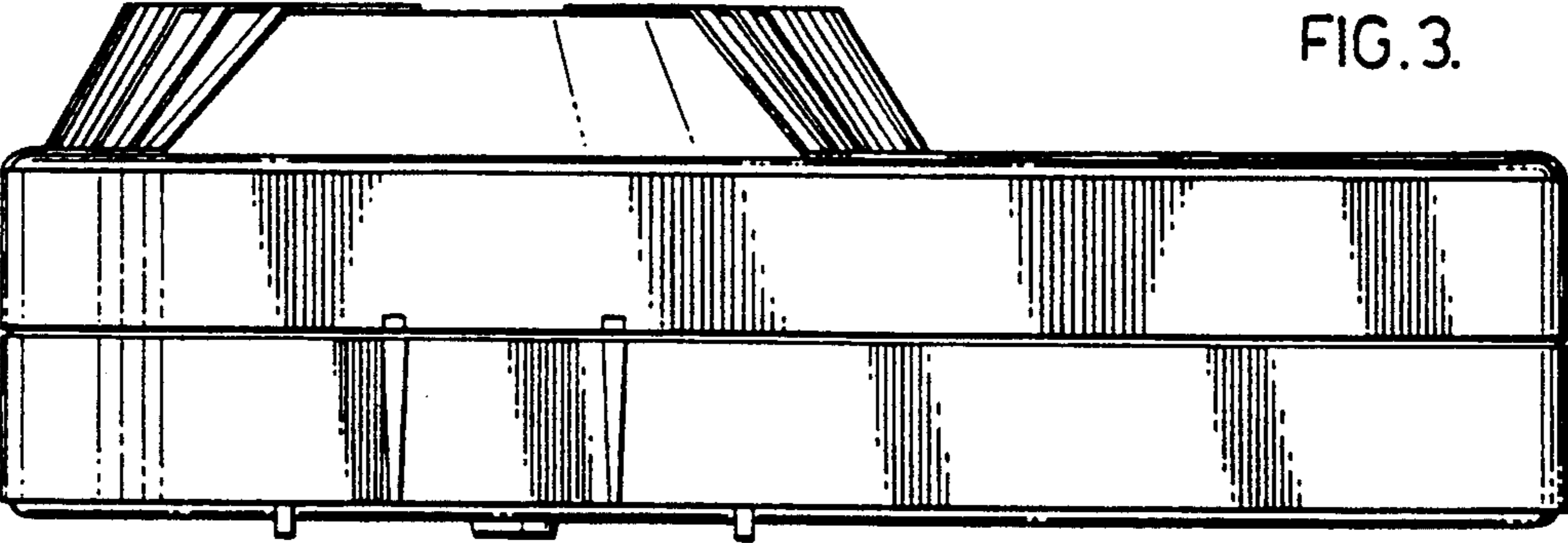


FIG. 4.

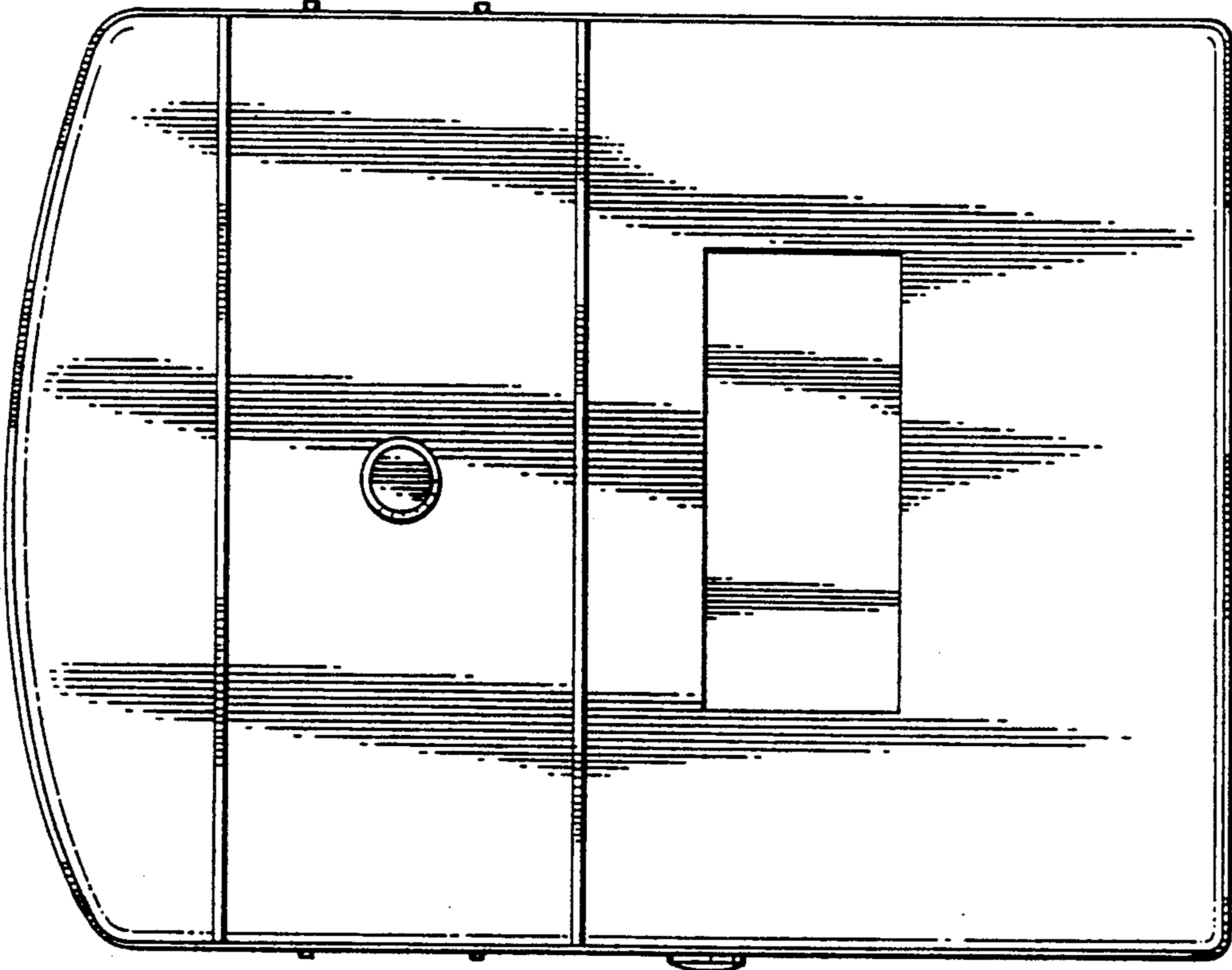


FIG. 5.

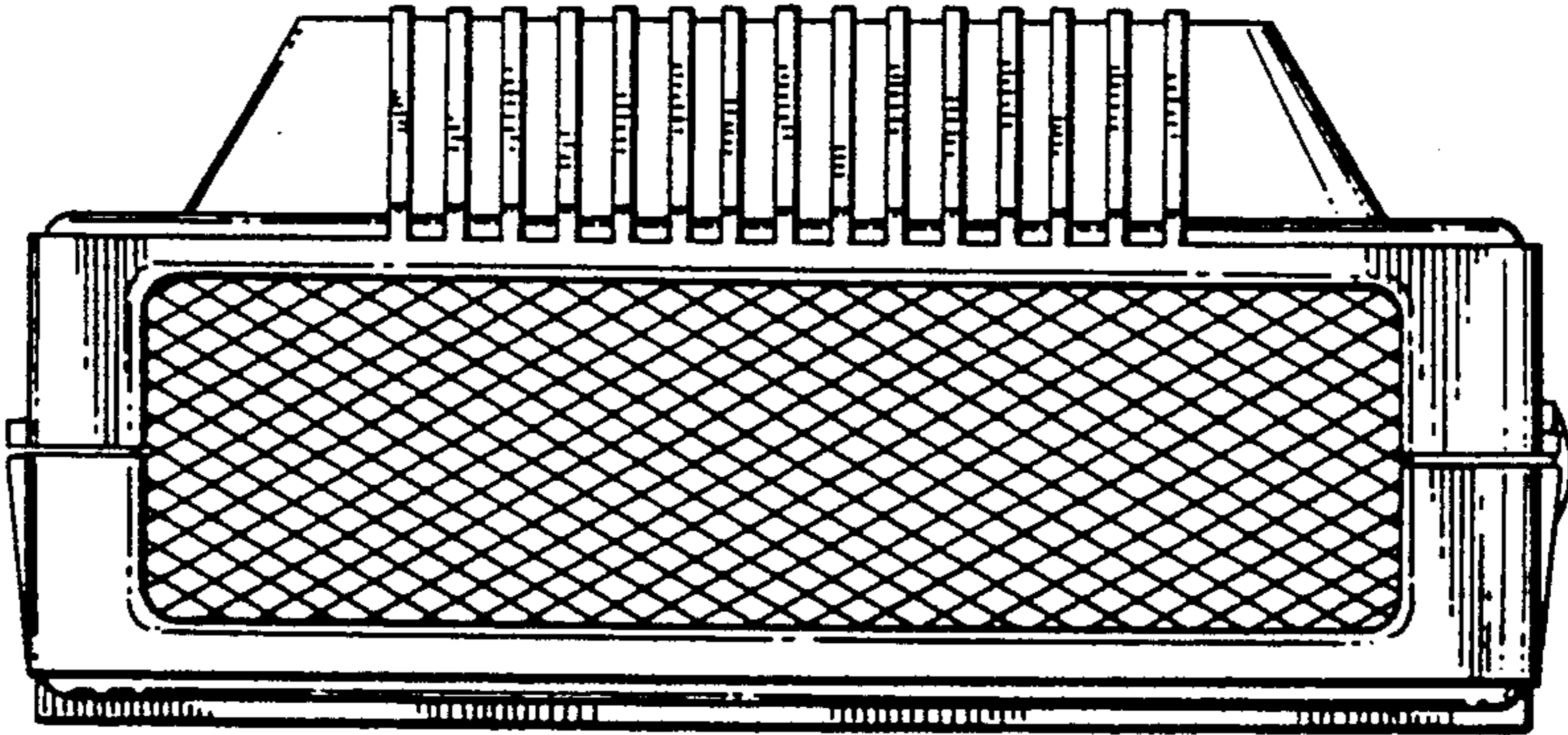


FIG. 6.

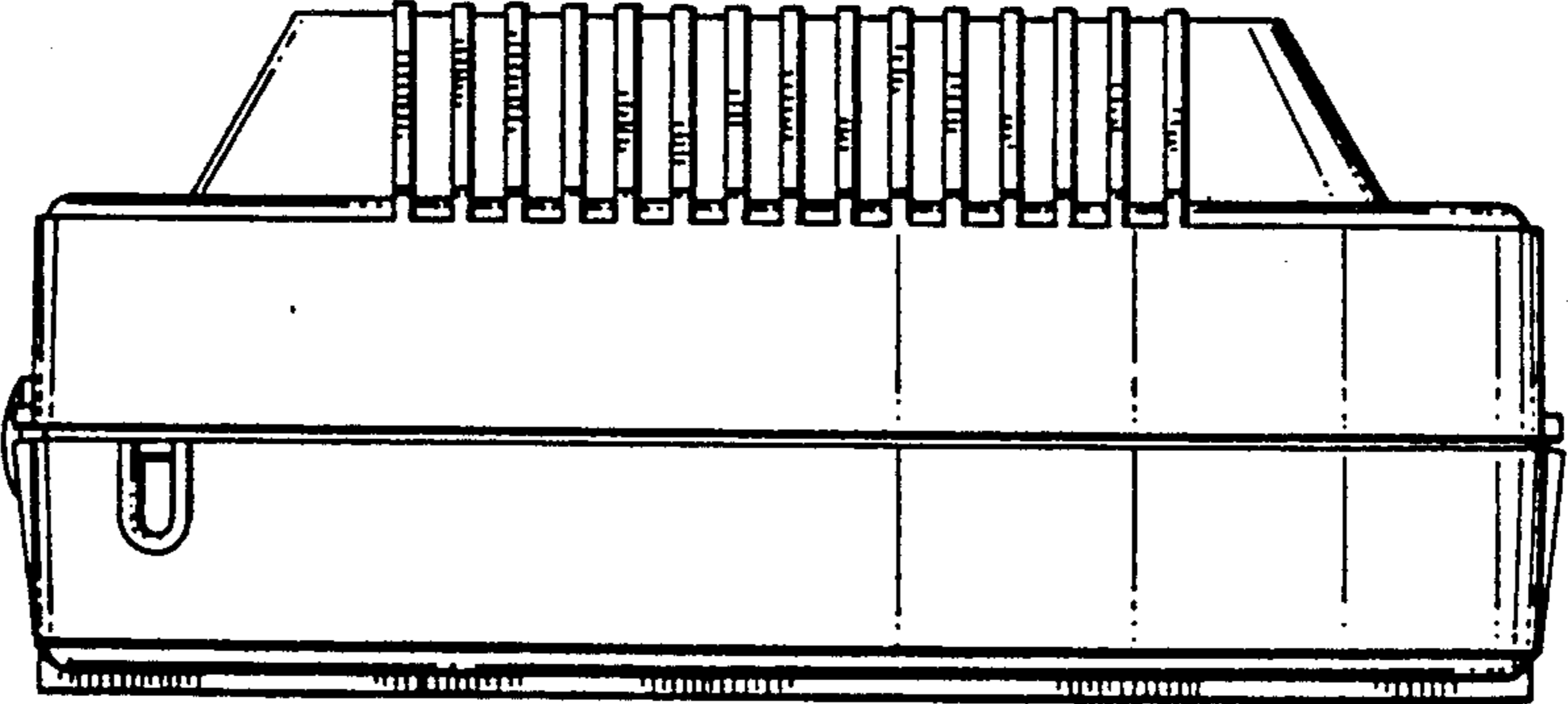


FIG. 7.