

[54] PEDESTAL LAVATORY

- [75] Inventor: Keith L. Poulson, Canyon Country, Calif.  
[73] Assignee: Kohler Co., Kohler, Wis.  
[\*\*] Term: 14 Years  
[21] Appl. No.: 297,510  
[22] Filed: Jan. 13, 1989  
[52] U.S. Cl. .... D23/292  
[58] Field of Search ..... D23/270-274,  
D23/284-294, 308; 4/619, 625, 635-650

[56] References Cited

U.S. PATENT DOCUMENTS

- D. 39,910 4/1909 Rowe .  
D. 41,842 10/1911 Gavin ..... D23/292  
D. 45,283 2/1914 Allen ..... D23/292  
434,914 8/1890 Burr ..... 4/625  
1,891,591 12/1932 Finley ..... 4/646

OTHER PUBLICATIONS

- Domestic Engineering, Aug. 1986, p. 54, Lavatory in lower right item.  
Domestic Engineering, Aug. 1986, p. 55, Eljer item, No. 192.  
1987 Kohler Co., ad for "Mandalay", pedestal and counter top lavatories.

- Giorgio ad showing various pedestal lavatories.  
Villeroy ad for the "Opera" lavatory.  
1987 ad from Wood Sink, Inc. showing the "Classic 1912 Pedestal", lavatory.  
Ad from Jacob Delafon showing Altair.

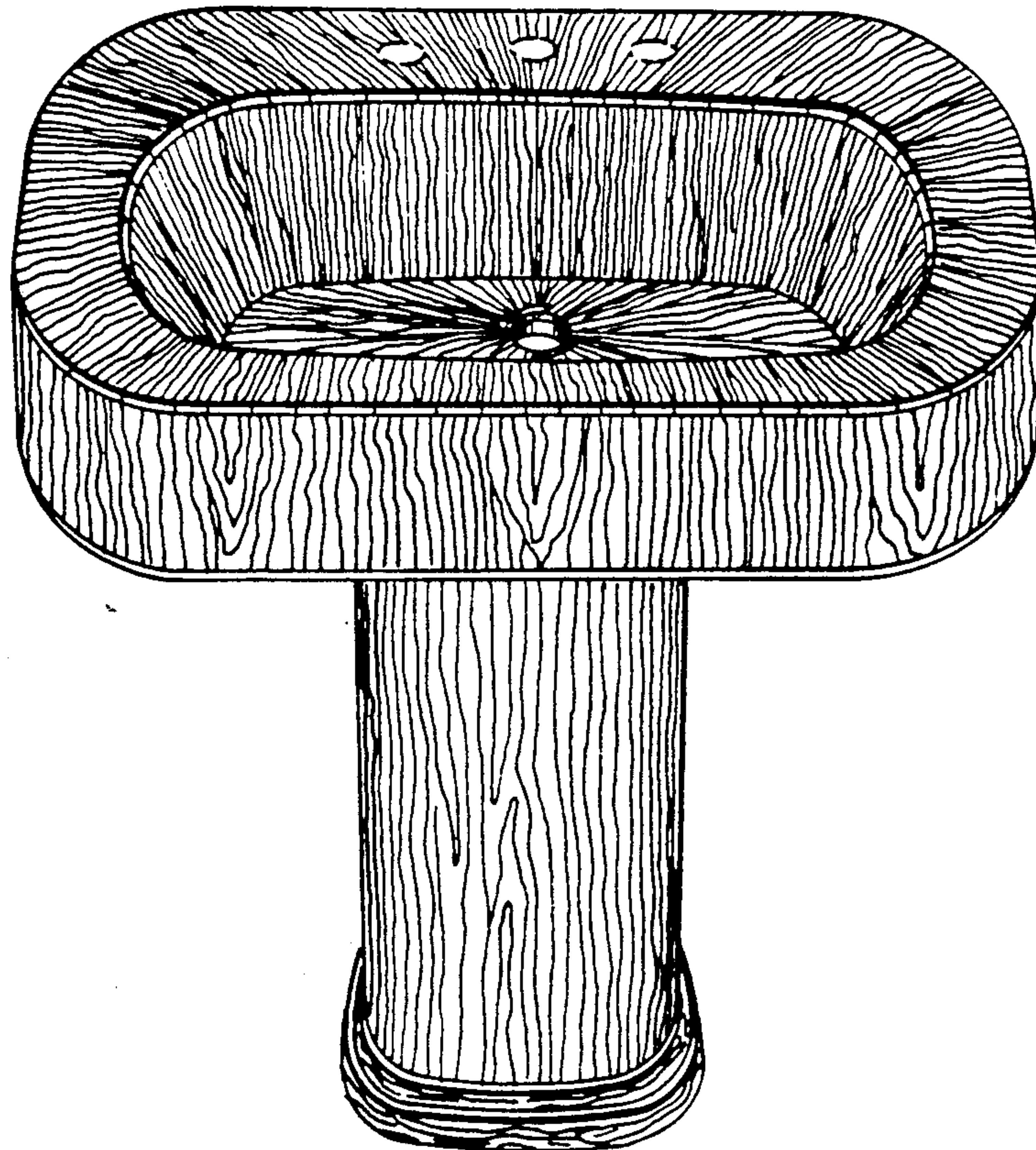
Primary Examiner—James R. Largen  
Attorney, Agent, or Firm—Quarles & Brady

[57] CLAIM

The ornamental design for a pedestal lavatory, as shown and described.

DESCRIPTION

- FIG. 1 is a perspective view taken from the top and front of a pedestal lavatory showing my new design;  
FIG. 2 is a top plan view of a second embodiment thereof;  
FIG. 3 is a front elevational view of FIG. 2;  
FIG. 4 is a bottom plan view of FIG. 2;  
FIG. 5 is a rear elevational view of FIG. 2;  
FIG. 6 is a right side elevational view of FIG. 2, the left side being a mirror image of the right side;  
FIG. 7 is a cross-sectional view taken on line 7—7 of FIG. 2; and  
FIG. 8 is a cross-sectional view taken on line 8—8 of FIG. 2.  
The fragmentary broken line representations of holes in FIGS. 1, 2 and 4 are for the purpose of illustration only and form no part of the claimed design.



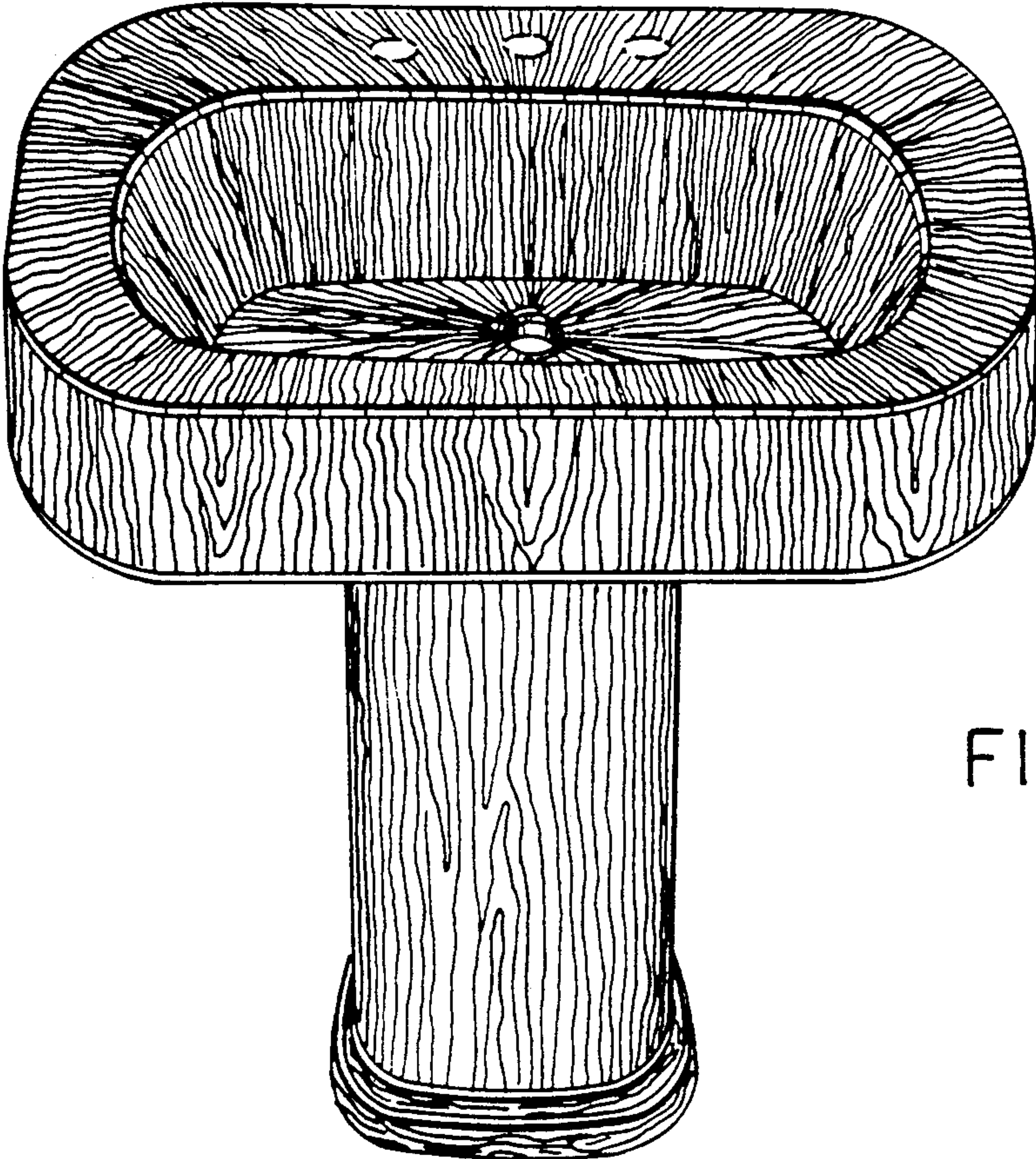


FIG. 1

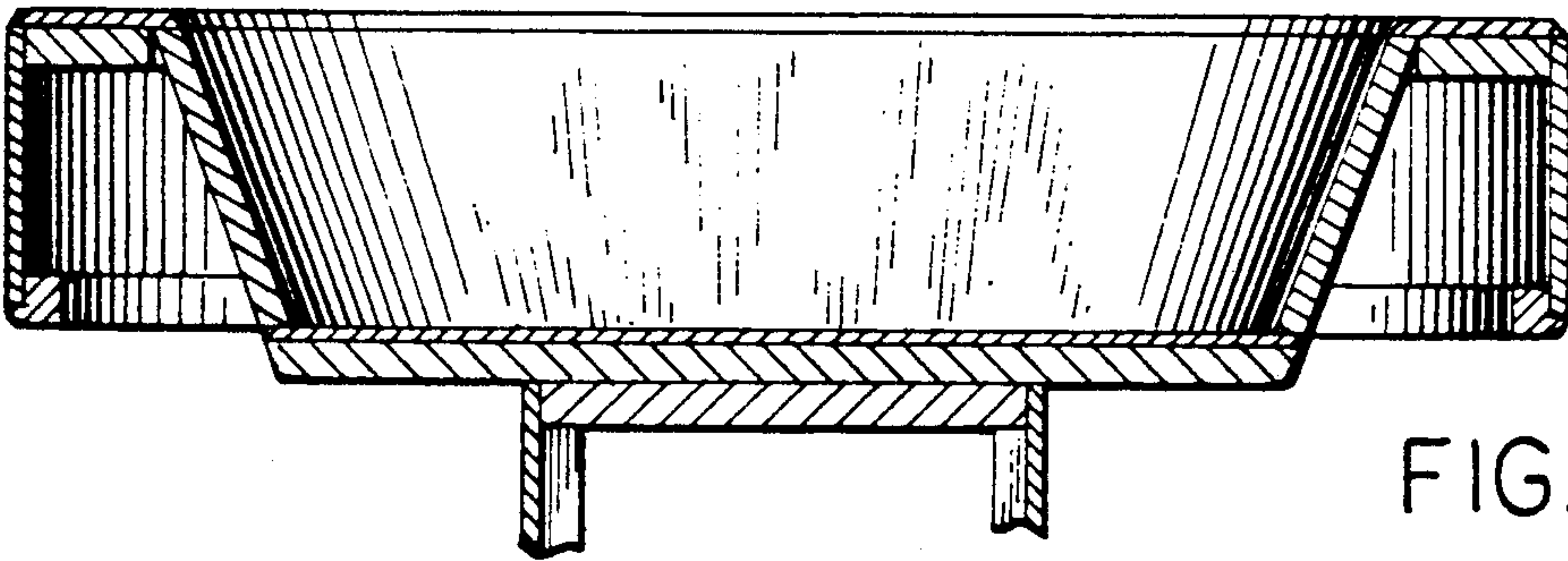


FIG. 7

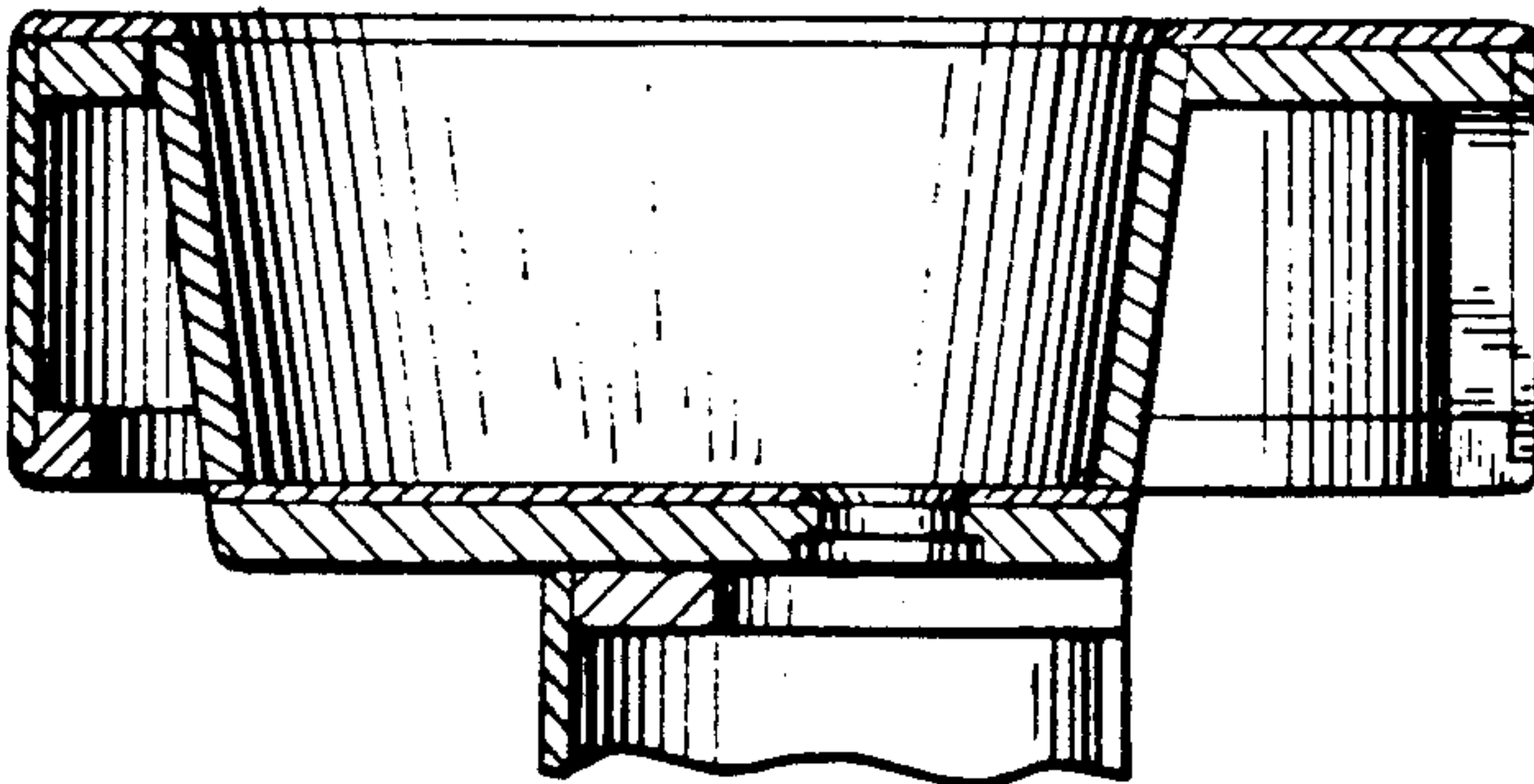
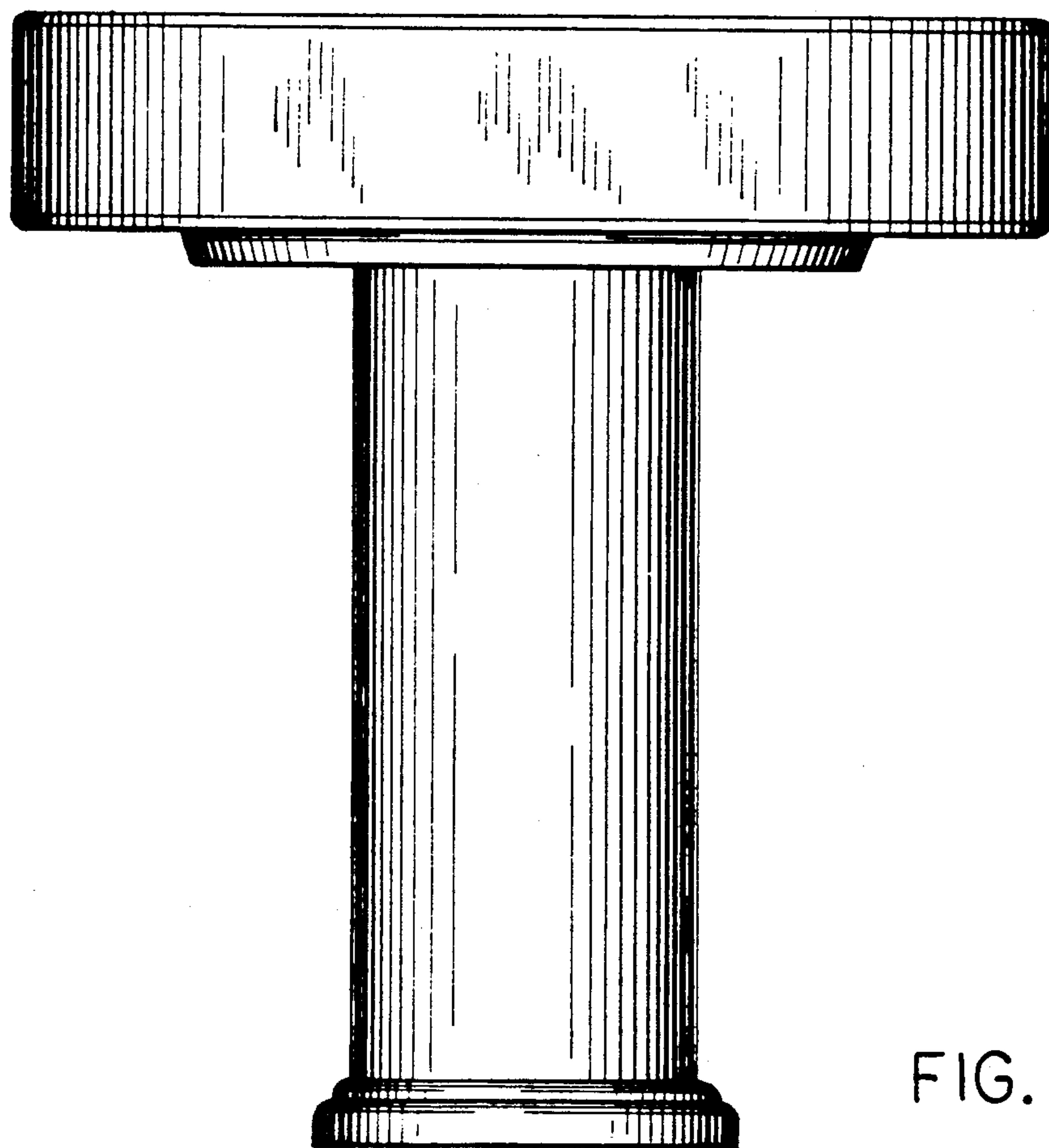
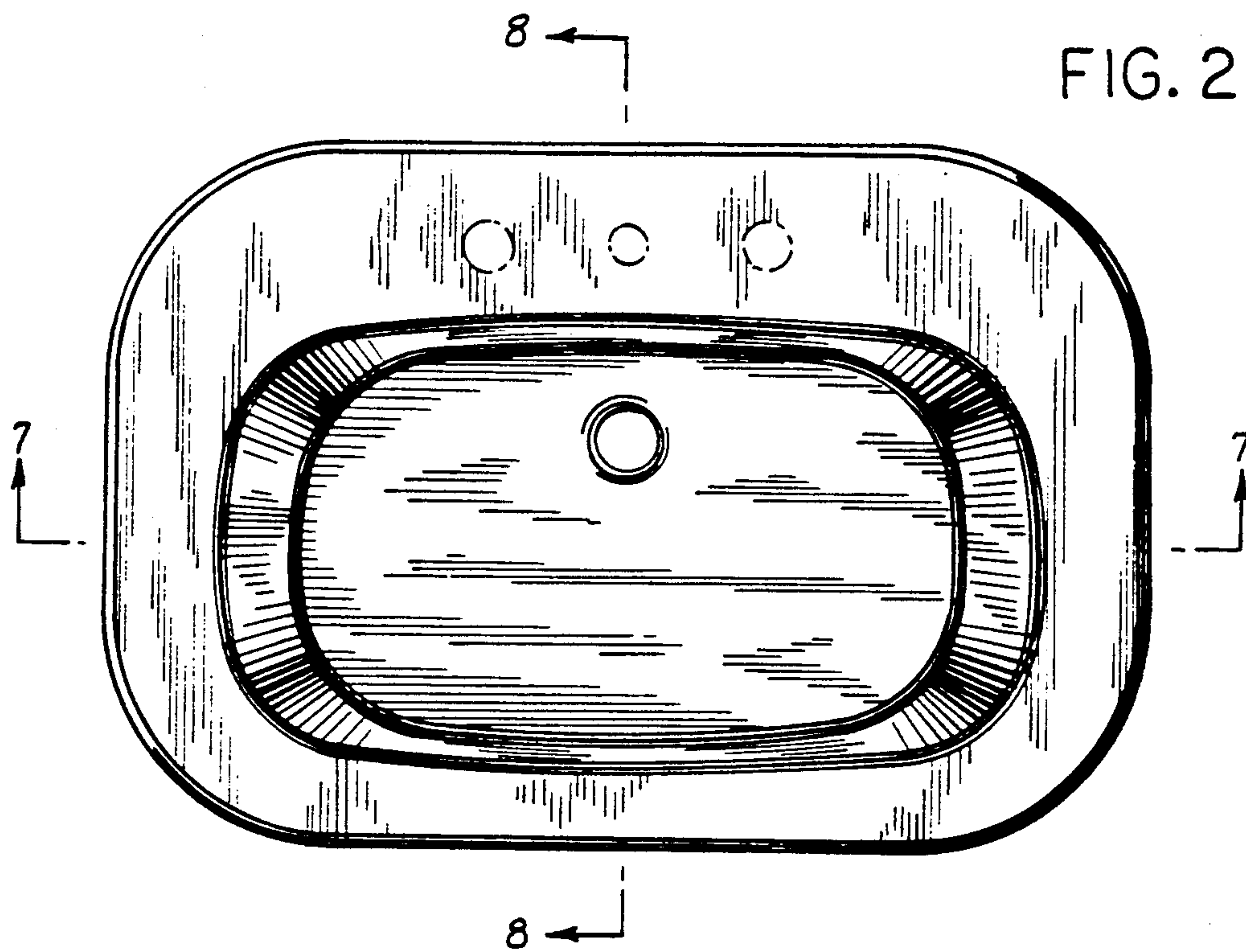


FIG. 8





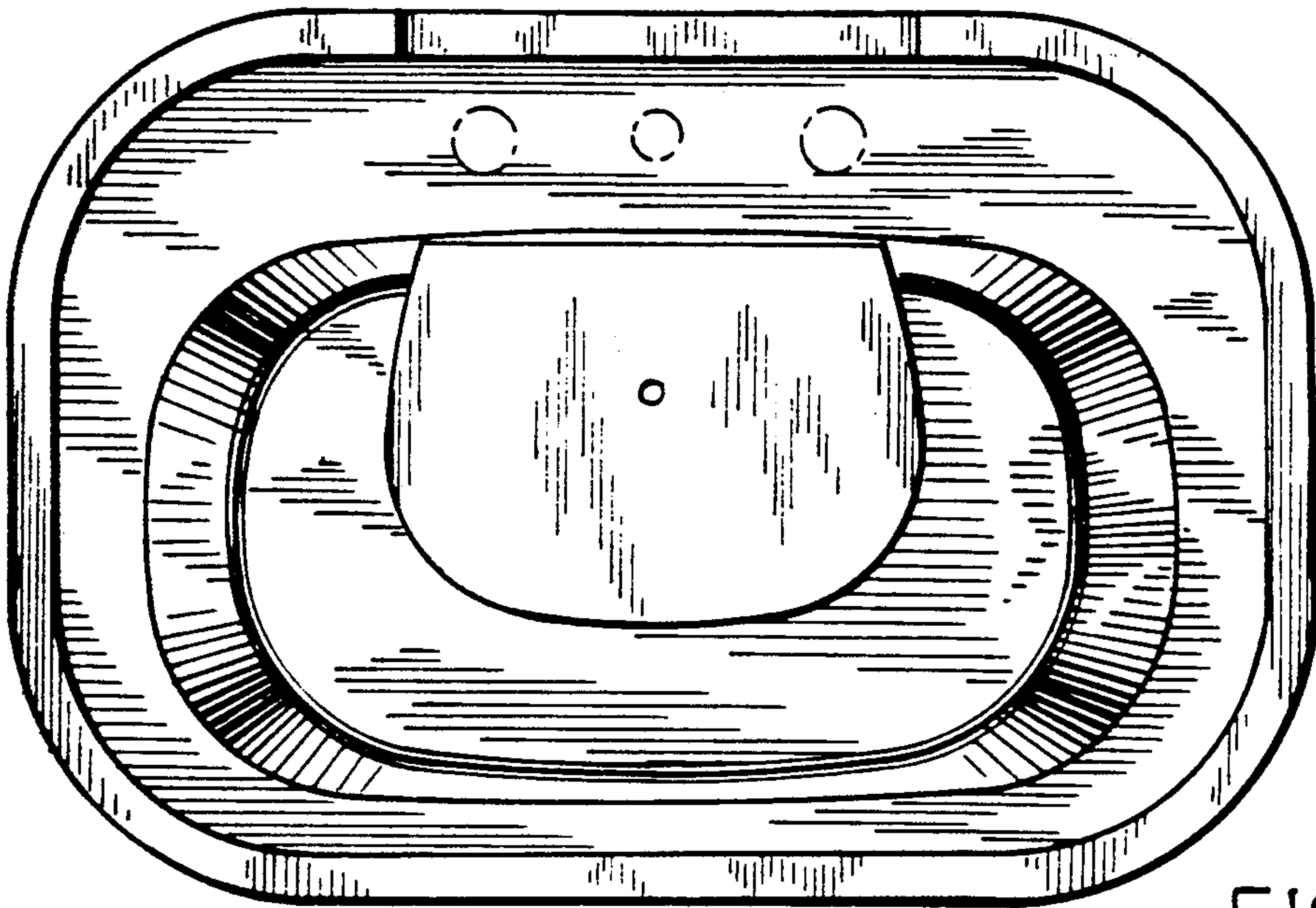


FIG. 4

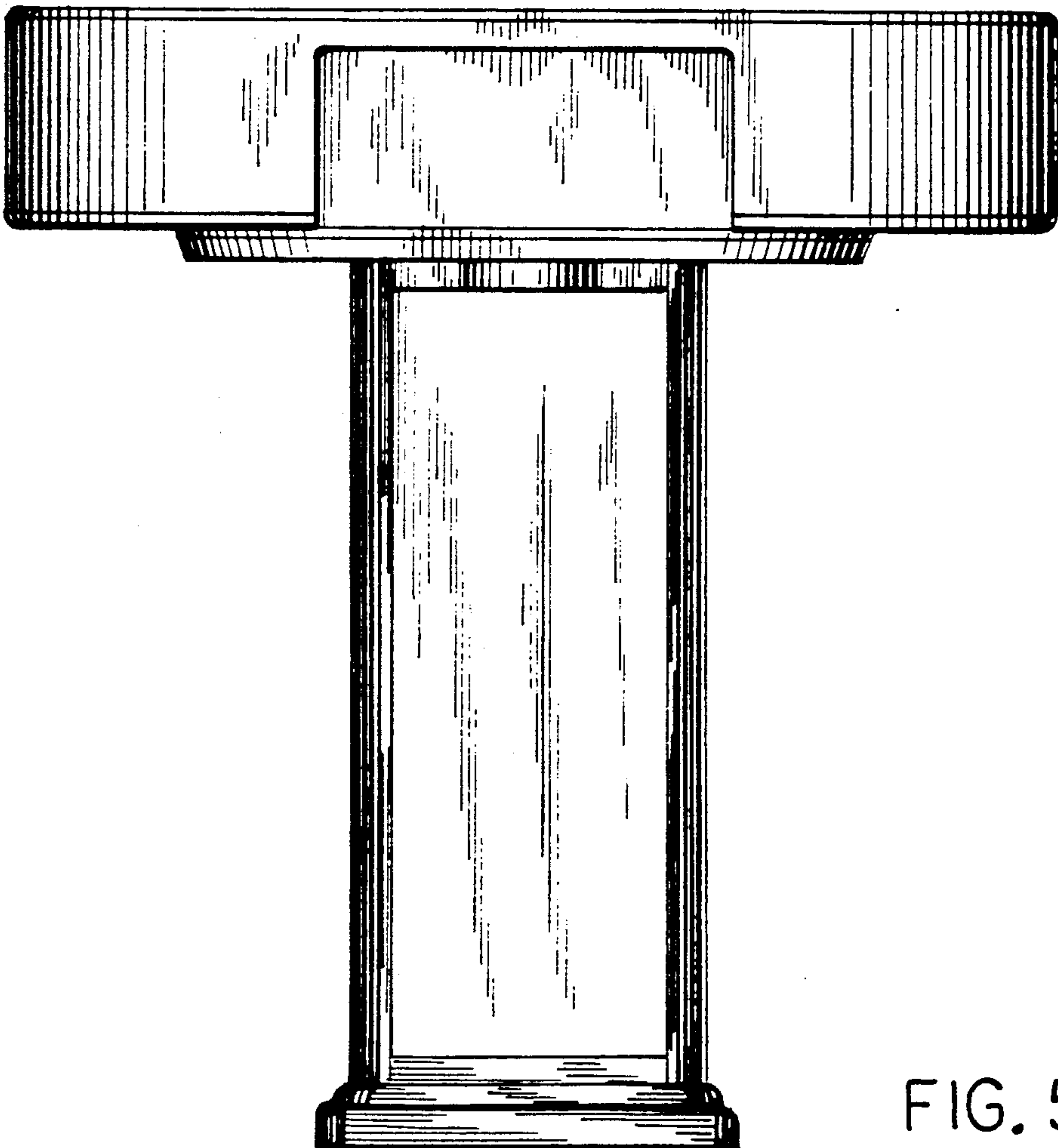


FIG. 5

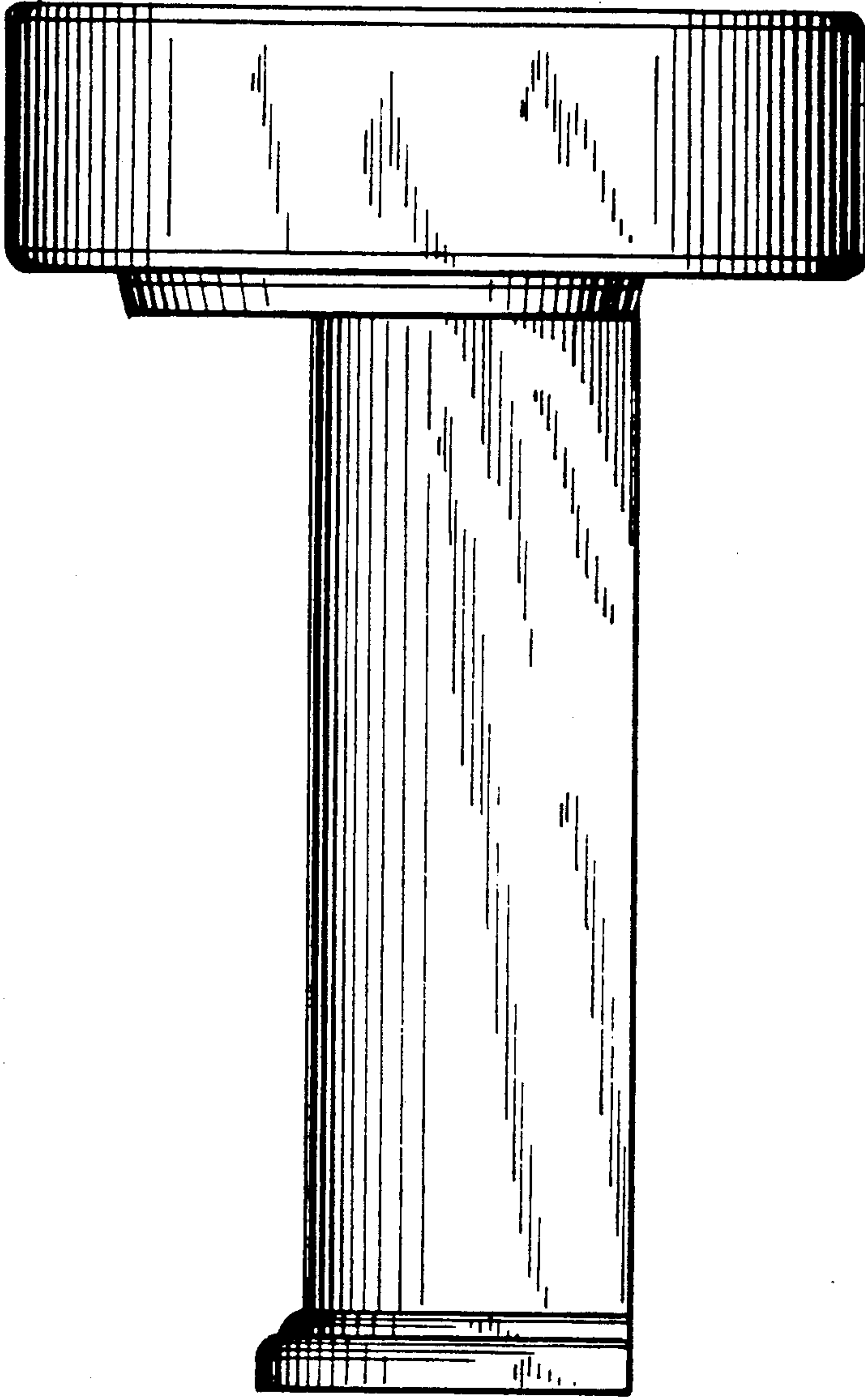


FIG. 6