

[54] ESCUTCHEON FOR A SPOUT OR THE LIKE

[75] Inventors: Herbert V. Kohler, Jr., Kohler; Mary J. Reid, Sheboygan; Bruce M. Sauter, Kohler; Alan D. Bengtson, Sheboygan, all of Wis.

[73] Assignee: Kohler Co., Kohler, Wis.

[\*\*] Term: 14 Years

[21] Appl. No.: 144,443

[22] Filed: Jan. 12, 1988

[52] U.S. Cl. .... D23/255; D23/254

[58] Field of Search ..... D23/238-243, D23/255-257, 191, 192; 137/801

[56] References Cited

U.S. PATENT DOCUMENTS

- D. 243,240 2/1977 Breibelbis ..... D23/241
- D. 267,110 11/1982 Arnolds ..... D23/242
- D. 279,923 7/1985 Niemann et al. .... D23/255
- D. 286,561 11/1986 Yost ..... D23/243
- 3,505,692 4/1970 Forbes ..... 4/623

OTHER PUBLICATIONS

- P. 2-8, 3-22, 3-22b, 3-24, 3-26b, 3-27, and 3-33b from a 1987 Kohler Co. Plumbing Products Catalog.
- P. 3-3 of the 1986 Kohler Plumbing Products Catalog.
- P. 11 of the "Kohler New Products 1988" catalog item f.

Primary Examiner—James R. Largen  
Attorney, Agent, or Firm—Quarles & Brady

[57] CLAIM

The ornamental design for an escutcheon for a spout or the like, as shown and described.

DESCRIPTION

FIG. 1 is a perspective view taken from the top, front and right side of an escutcheon for a spout or the like showing our new design;

FIG. 2 is a left side elevational view thereof, the right side being a mirror image of the left side shown;

FIG. 3 is a front elevational view thereof;

FIG. 4 is a rear elevational view thereof;

FIG. 5 is a top plan view thereof;

FIG. 6 is a bottom plan view thereof;

FIG. 7 is a perspective view taken from the top, front and right side of a second embodiment thereof;

FIG. 8 is a left side elevational view FIG. 7, the right side being a mirror image of the left side shown;

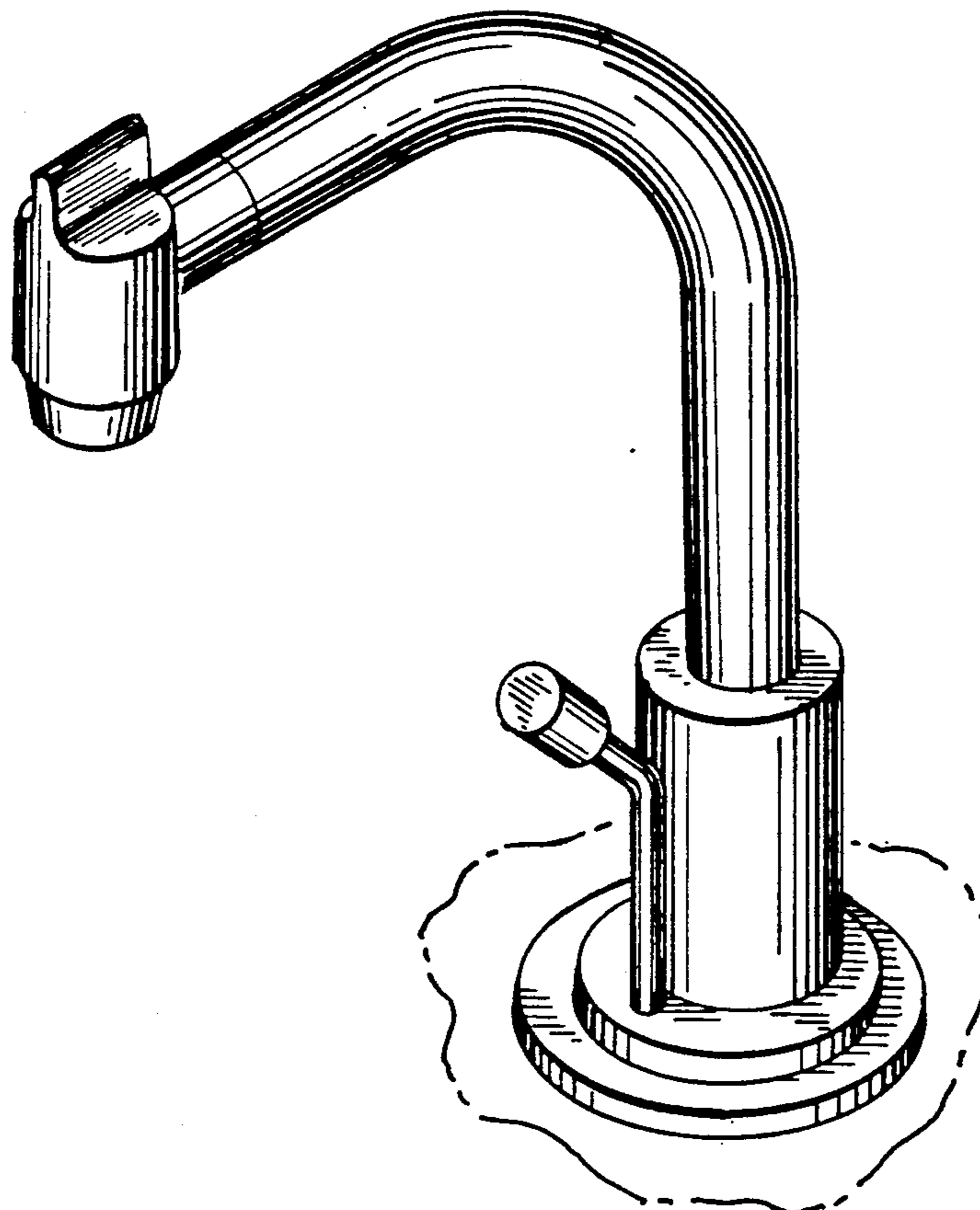
FIG. 9 is a front elevational view of FIG. 7;

FIG. 10 is a rear elevational view of FIG. 7;

FIG. 11 is a top plan view of FIG. 7; and

FIG. 12 is a bottom plan view of FIG. 7.

The fragmentary broken line representations of a sink in FIGS. 1 and 7 and the broken line representations of a spout in FIGS. 1 through 3, 6 through 10 and 12 are for the purpose of illustration only and form no part of the claimed design.



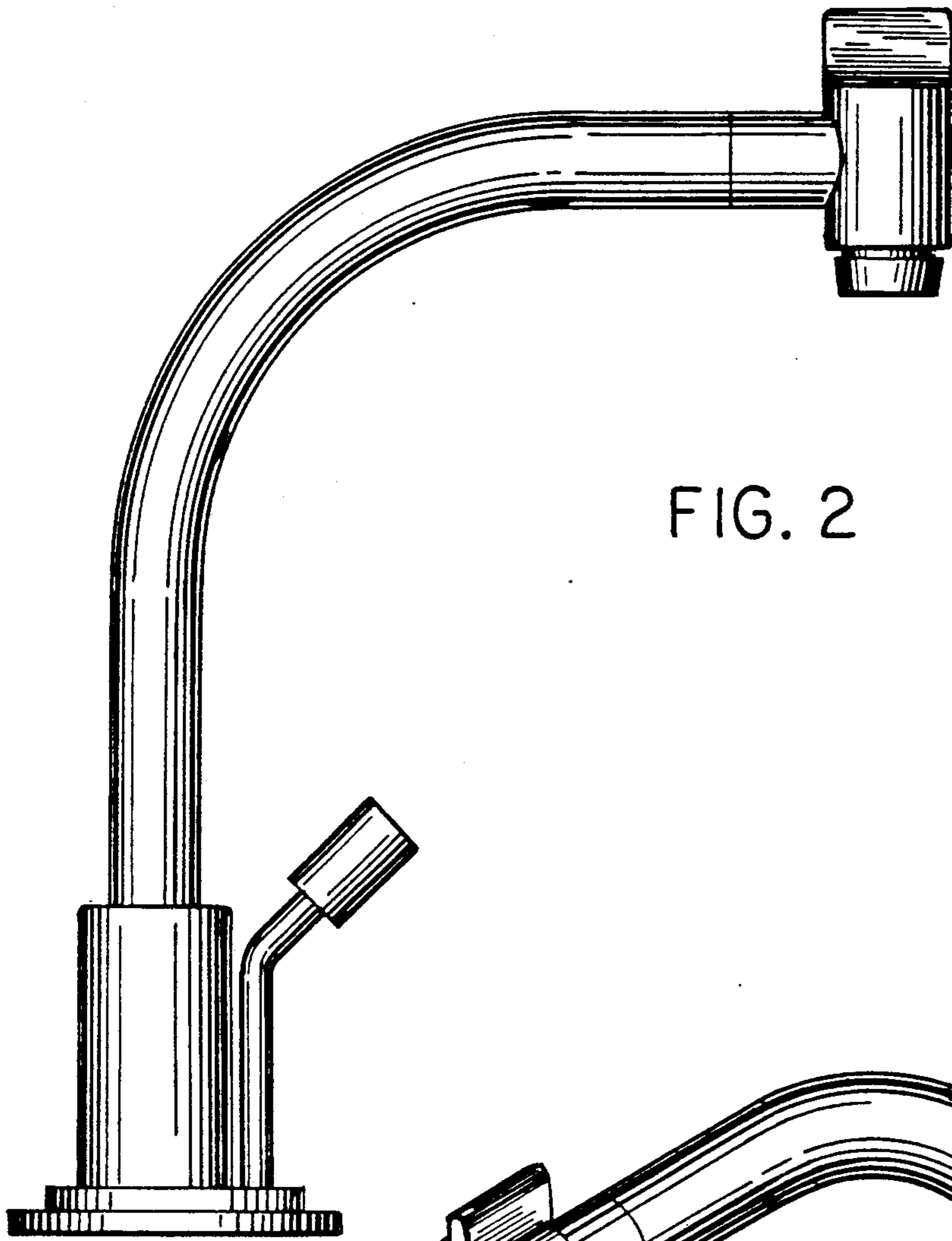


FIG. 2

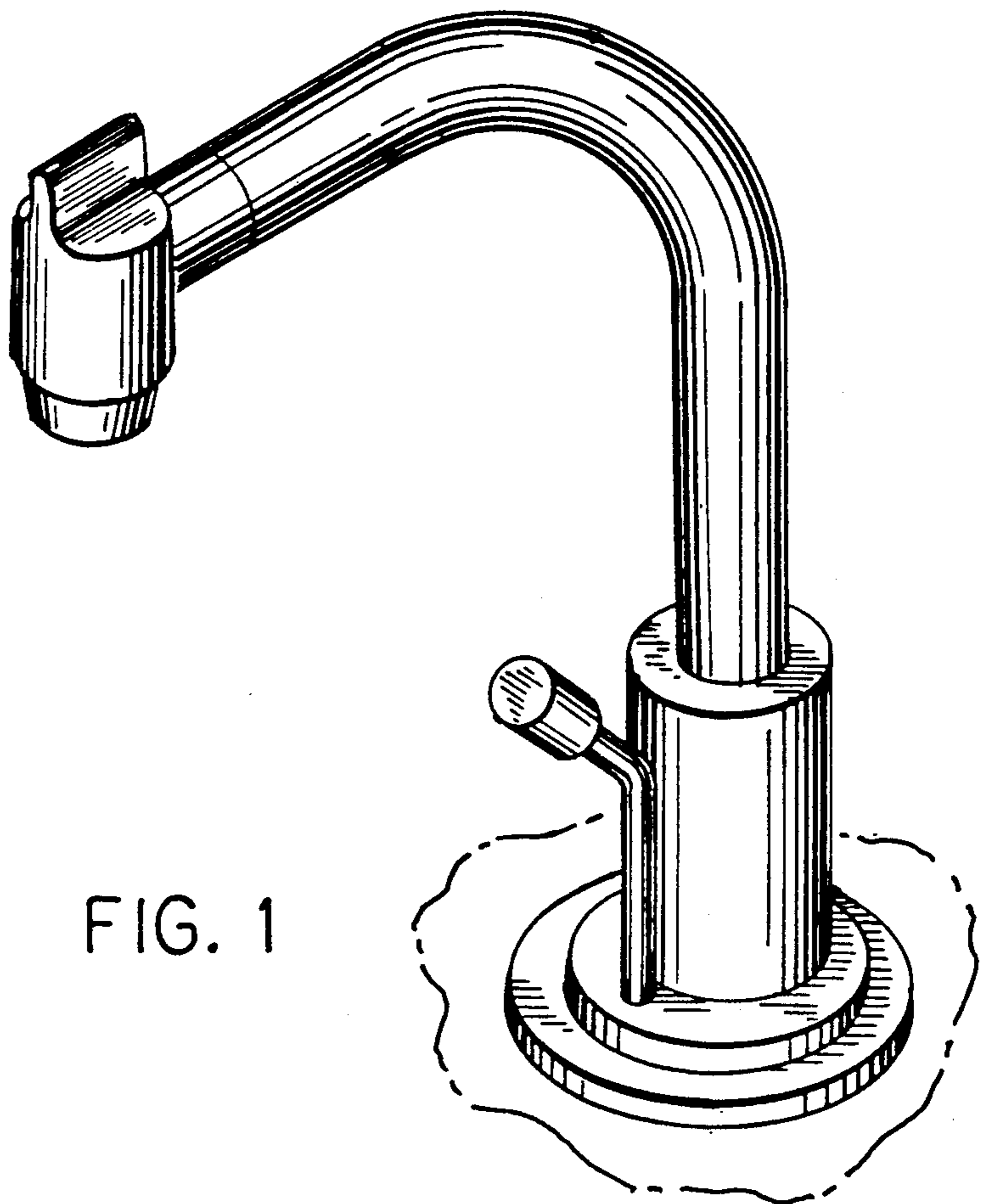


FIG. 1

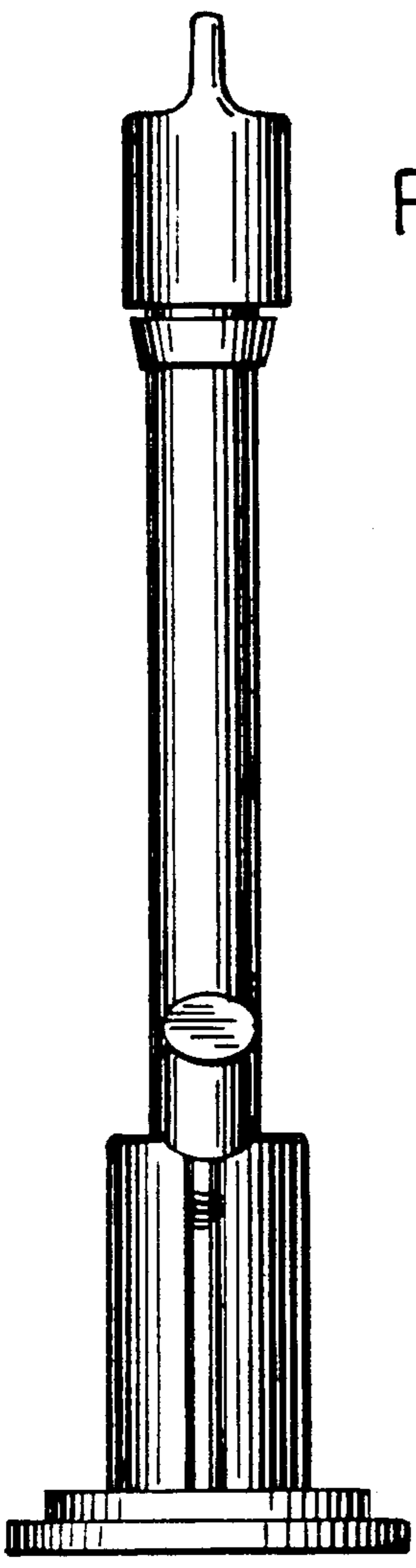


FIG. 3

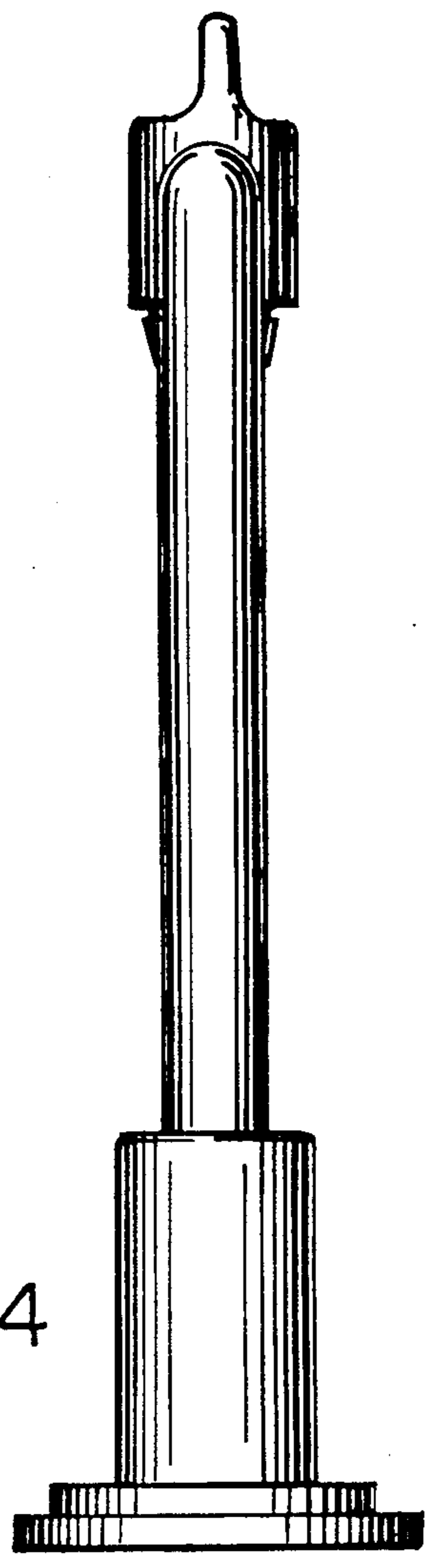


FIG. 4

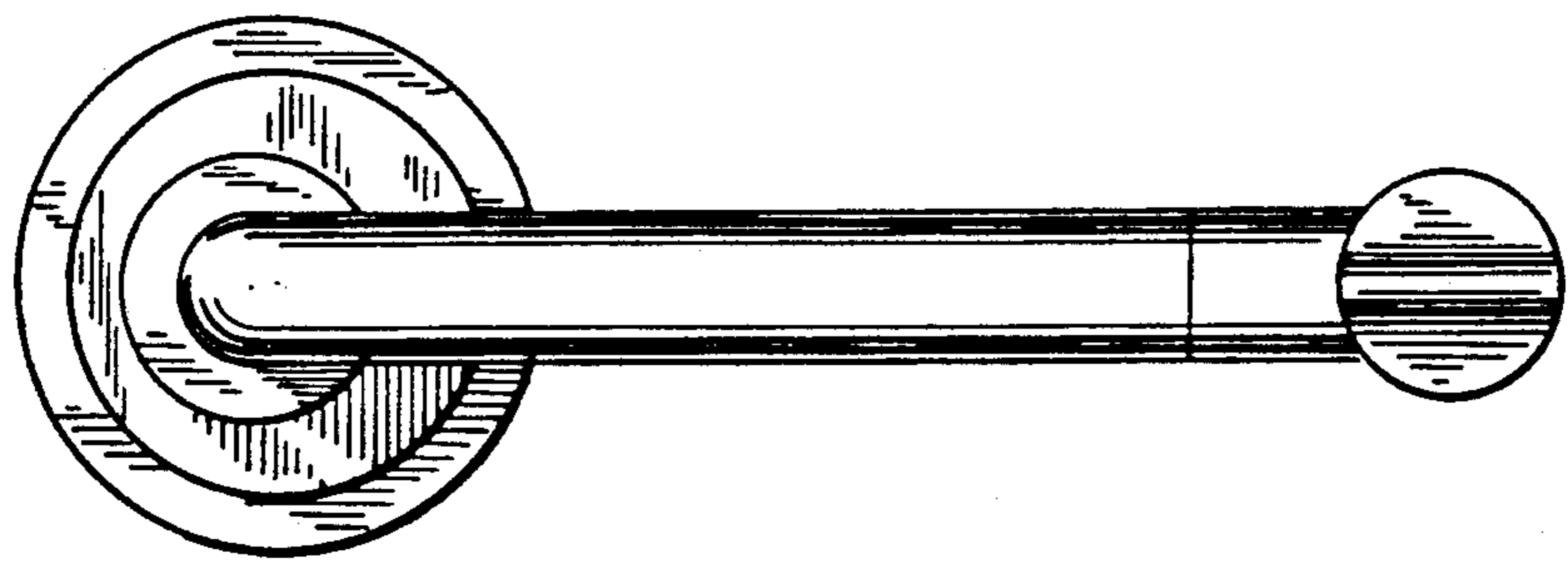


FIG. 5

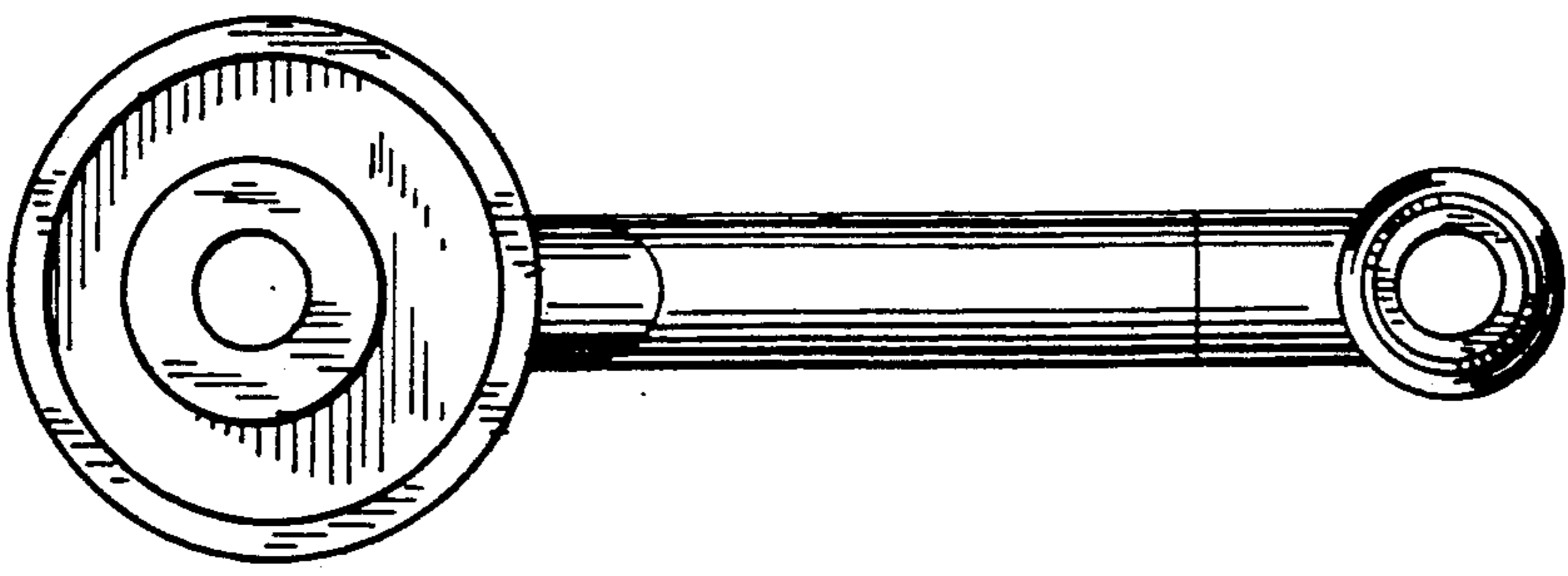


FIG. 6

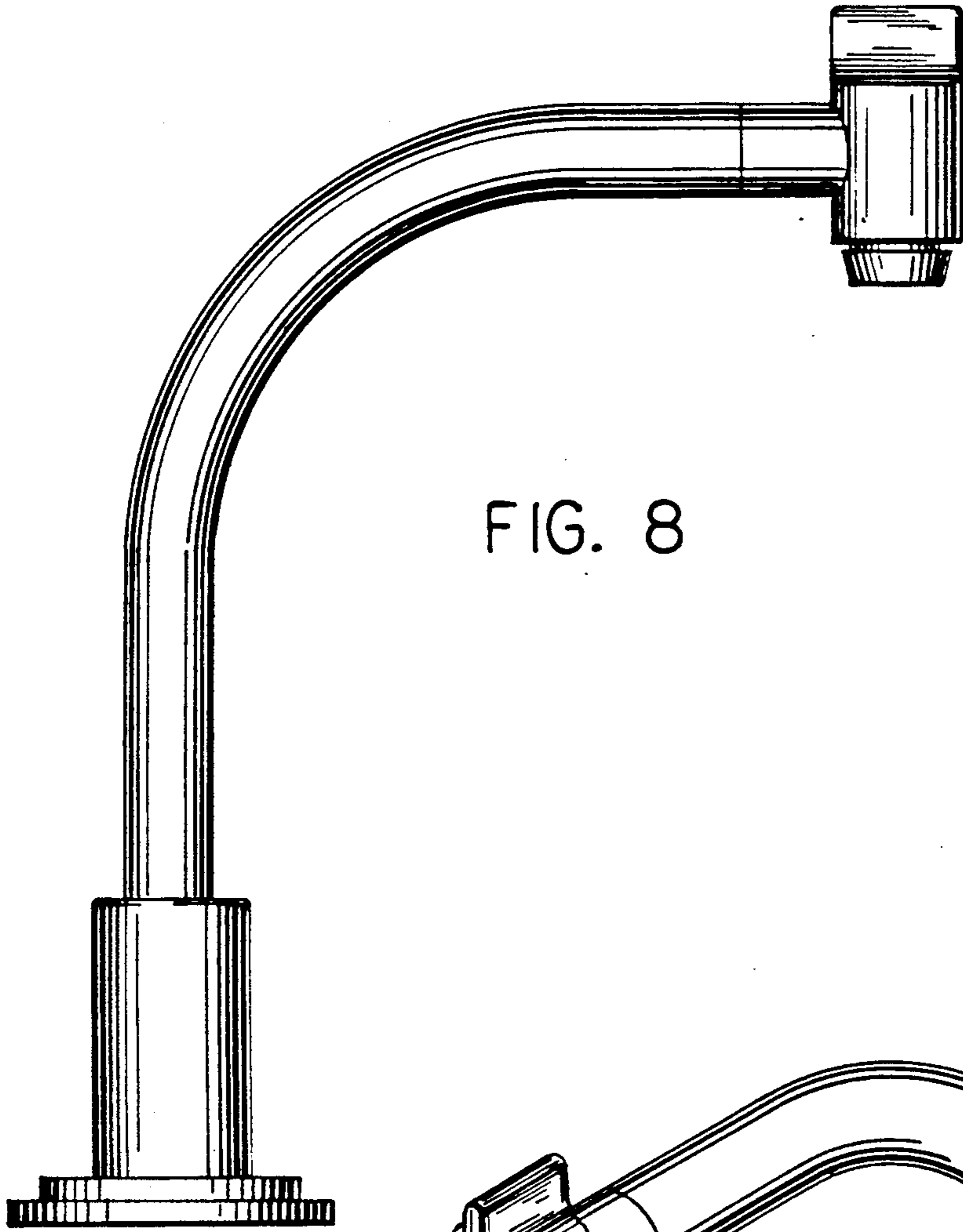


FIG. 8

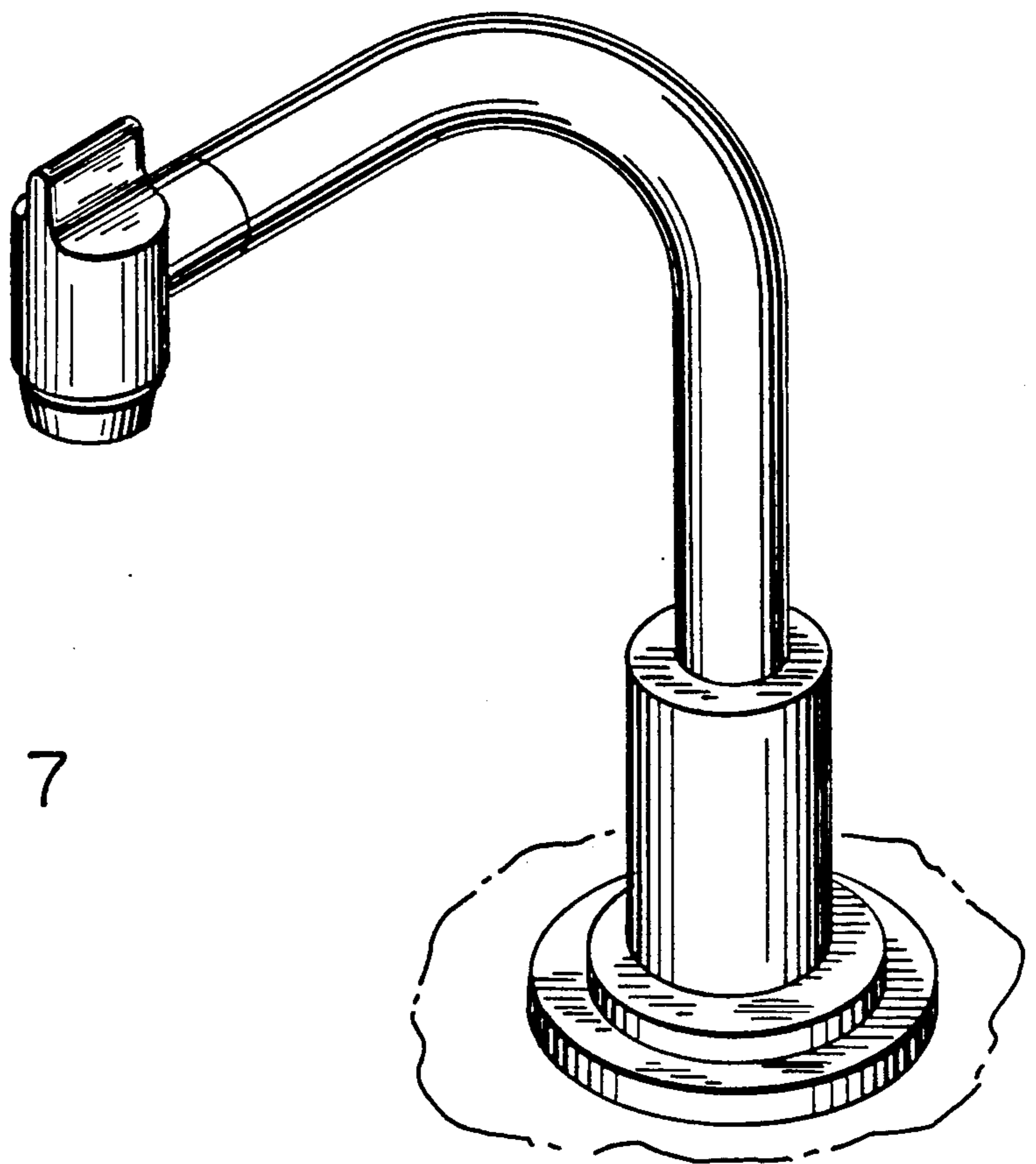


FIG. 7

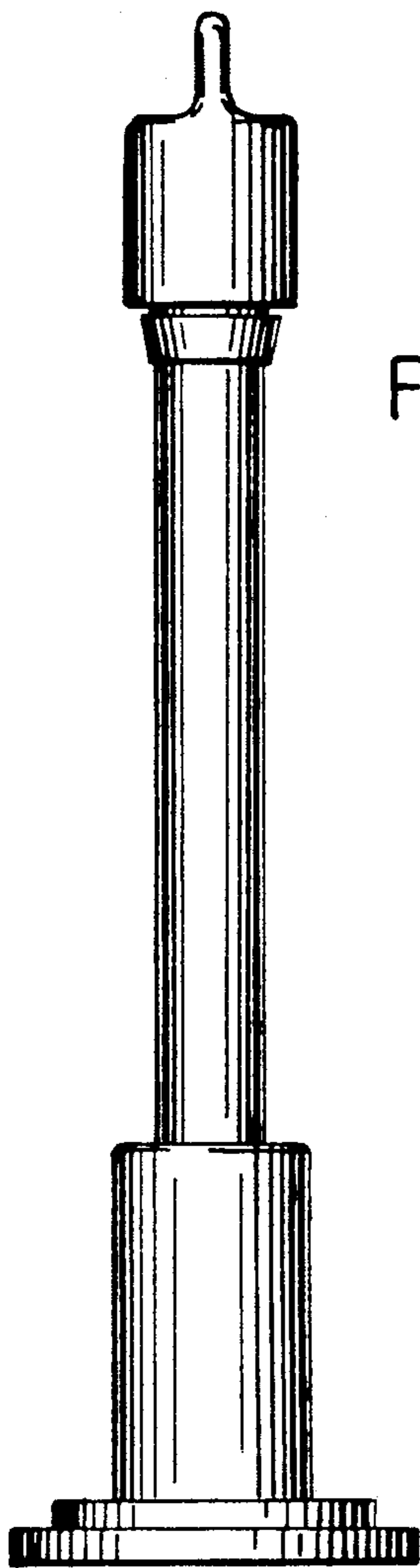


FIG. 9

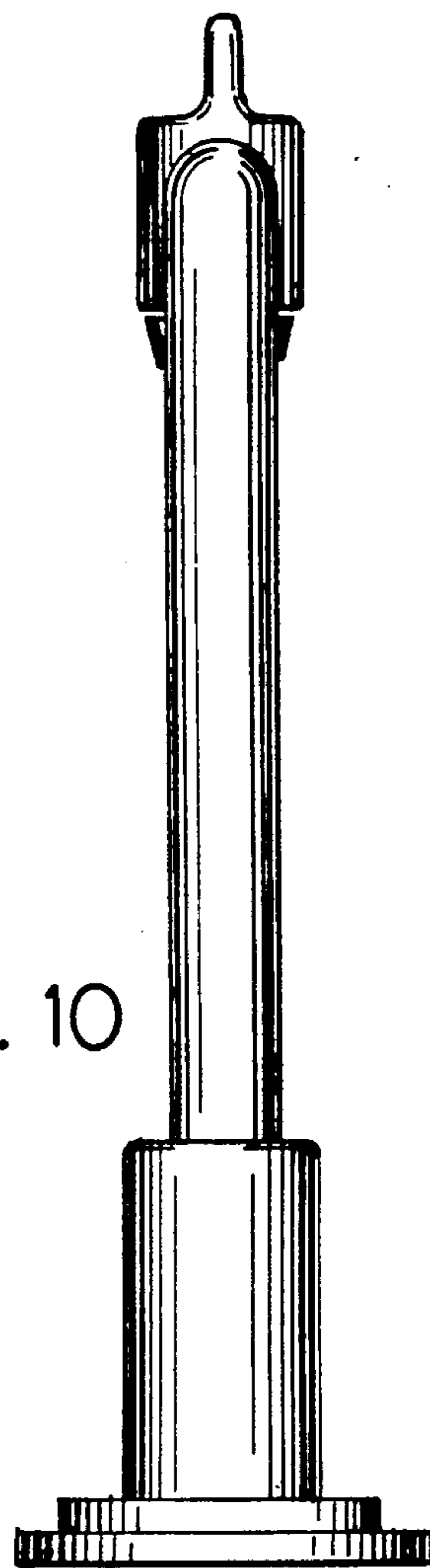


FIG. 10

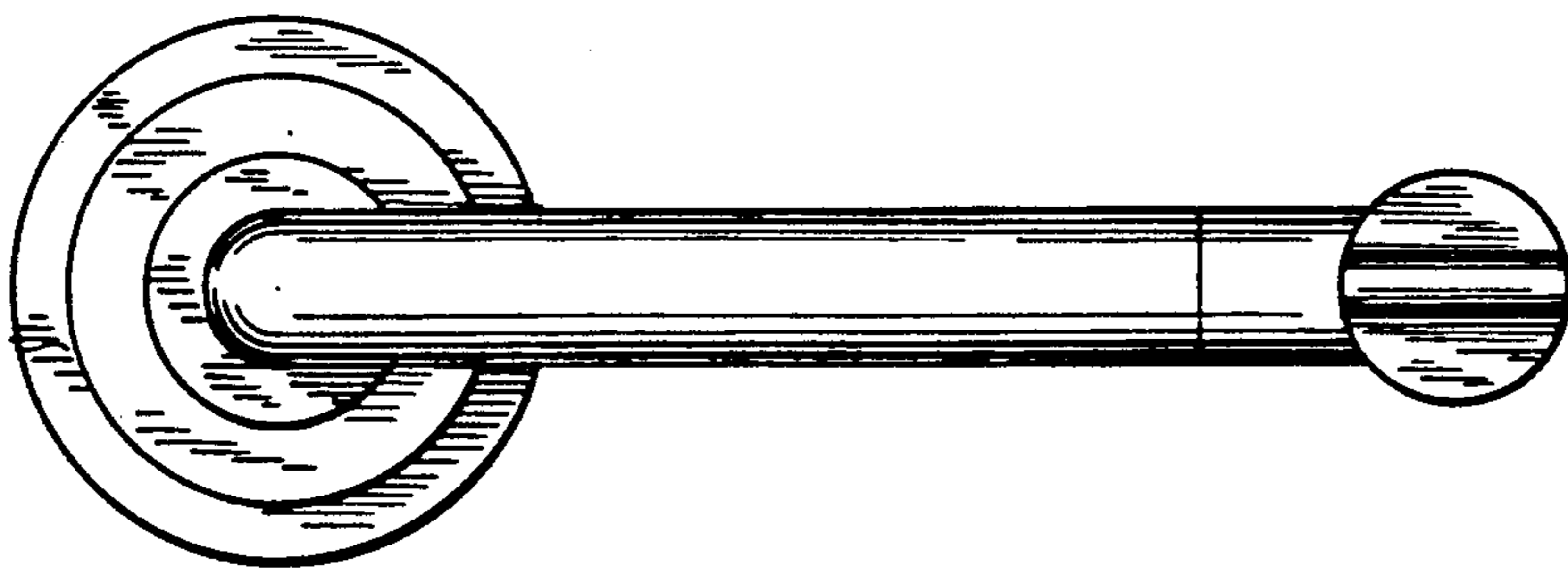


FIG. 11

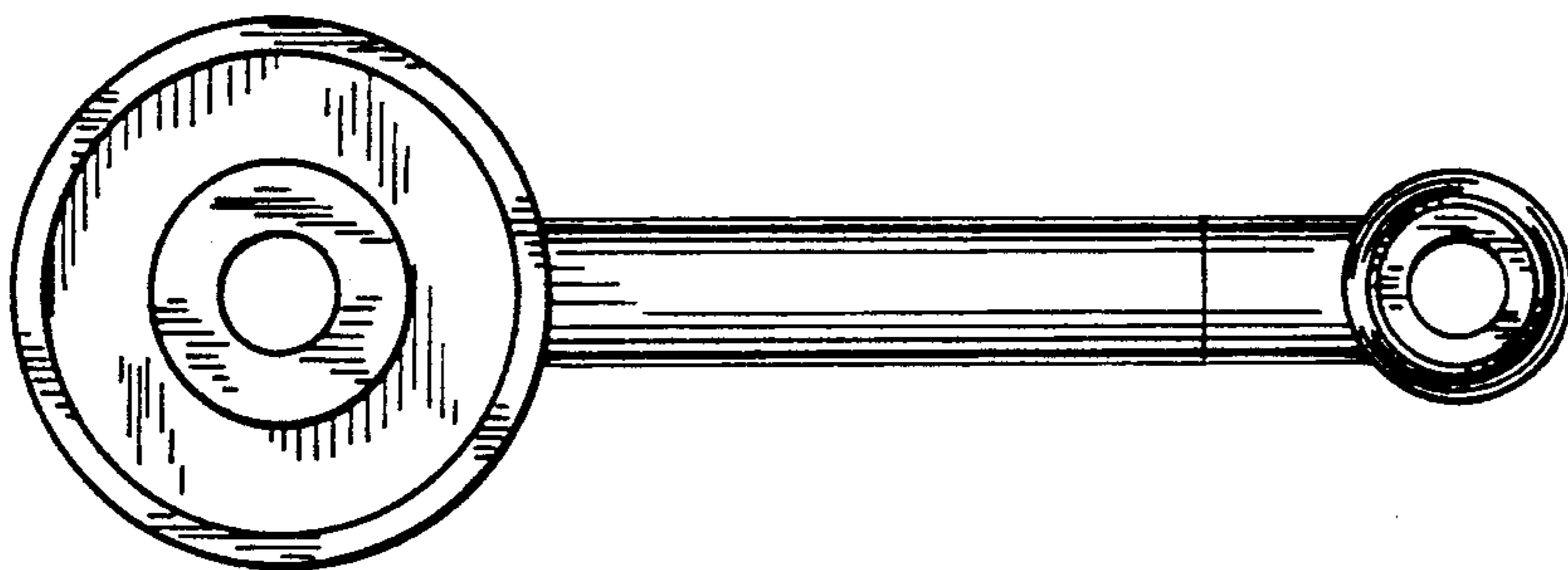


FIG. 12

UNITED STATES PATENT AND TRADEMARK OFFICE  
CERTIFICATE OF CORRECTION

PATENT NO. : D322,658

DATED : December 24, 1991

Page 1 of 6

INVENTOR(S) : Herbert V. Kohler, Jr., et al.

It is certified that error appears in the above-identified patent and that said Letters Patent is hereby corrected as shown below:

On the title page, item [75] Inventors:

Bruce M. Sauter should be deleted as an inventor.

The title page should be replaced with the attached title page (on which the title page drawing is Fig. 1).

All of the drawings (Figs. 1-12) should be replaced with the attached 4 sheets of drawings (Figs. 1-12).

In the description of Fig. 8, the word --of-- should be inserted before "Fig. 7".

Signed and Sealed this  
Seventeenth Day of May, 1994

Attest:



BRUCE LEHMAN

Attesting Officer

Commissioner of Patents and Trademarks

# United States Patent [19]

Kohler, Jr. et al.

[11] Patent Number: Des. 322,658

[45] Date of Patent: \*\* Dec. 24, 1991

[54] ESCUTCHEON FOR A SPOUT OR THE LIKE

[75] Inventors: Herbert V. Kohler, Jr., Kohler; Mary J. Reid, Sheboygan; Bruce M. Sauter, Kohler; Alan D. Bengtson, Sheboygan, all of Wis.

[73] Assignee: Kohler Co., Kohler, Wis.

[\*\*] Term: 14 Years

[21] Appl. No.: 144,443

[22] Filed: Jan. 12, 1988

[52] U.S. Cl. .... D23/255; D23/254

[58] Field of Search ..... D23/238-243, D23/255-257, 191, 192; 137/801

[56] References Cited

### U.S. PATENT DOCUMENTS

D. 243,240	2/1977	Breibelbis .....	D23/241
D. 267,110	11/1982	Arnolds .....	D23/242
D. 279,923	7/1985	Niemann et al. ....	D23/255
D. 286,561	11/1986	Yost .....	D23/243
3,505,692	4/1970	Forbes .....	4/623

### OTHER PUBLICATIONS

- P. 2-8, 3-22, 3-22b, 3-24, 3-26b, 3-27, and 3-33b from a 1987 Kohler Co. Plumbing Products Catalog.
- P. 3-3 of the 1986 Kohler Plumbing Products Catalog.
- P. 11 of the "Kohler New Products 1988" catalog item f.

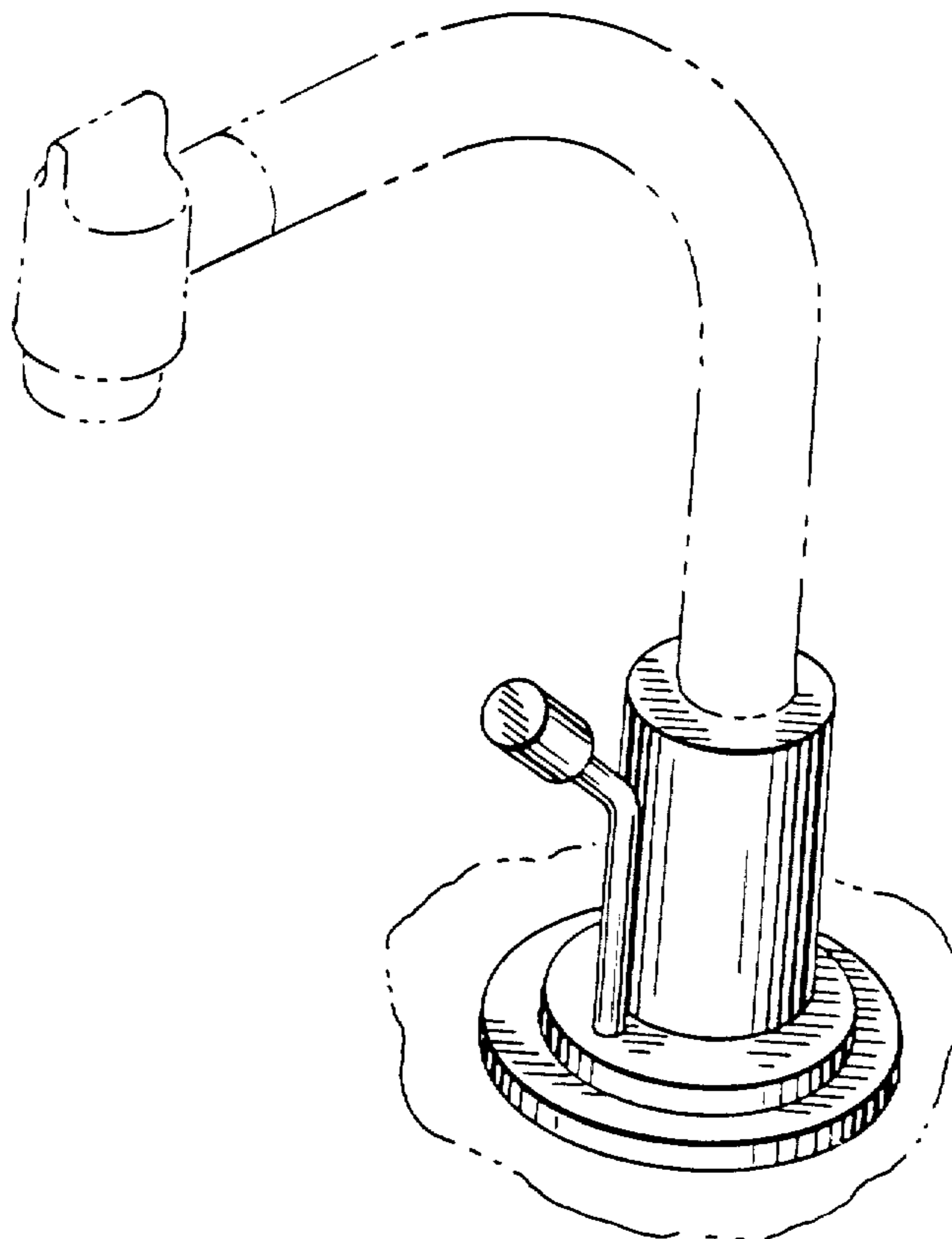
Primary Examiner—James R. Largen  
Attorney, Agent, or Firm—Quarles & Brady

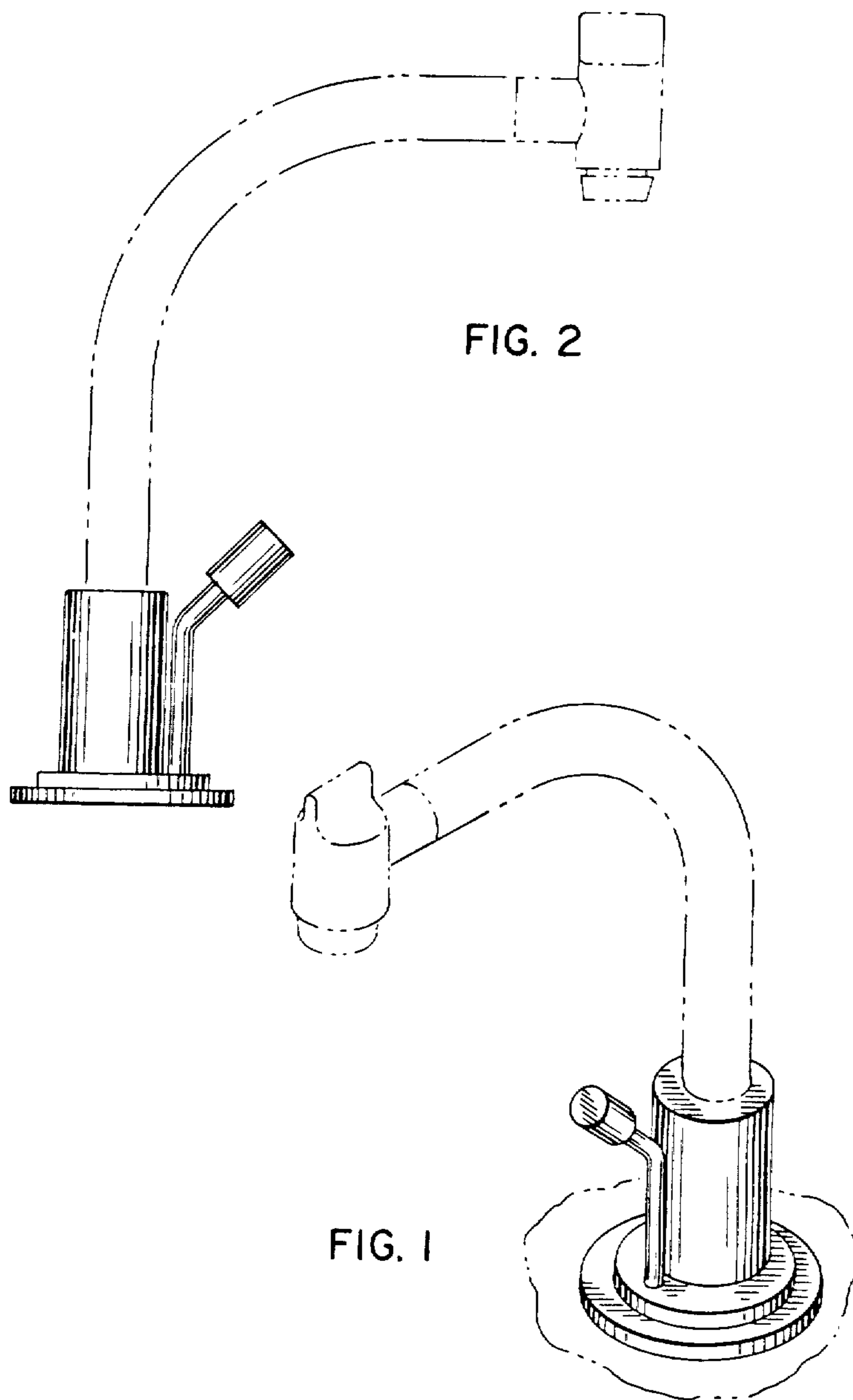
[57] CLAIM

The ornamental design for an escutcheon for a spout or the like, as shown and described.

### DESCRIPTION

FIG. 1 is a perspective view taken from the top, front and right side of an escutcheon for a spout or the like showing our new design;  
FIG. 2 is a left side elevational view thereof, the right side being a mirror image of the left side shown;  
FIG. 3 is a front elevational view thereof;  
FIG. 4 is a rear elevational view thereof;  
FIG. 5 is a top plan view thereof;  
FIG. 6 is a bottom plan view thereof;  
FIG. 7 is a perspective view taken from the top, front and right side of a second embodiment thereof;  
FIG. 8 is a left side elevational view FIG. 7, the right side being a mirror image of the left side shown;  
FIG. 9 is a front elevational view of FIG. 7;  
FIG. 10 is a rear elevational view of FIG. 7;  
FIG. 11 is a top plan view of FIG. 7; and  
FIG. 12 is a bottom plan view of FIG. 7.  
The fragmentary broken line representations of a sink in FIGS. 1 and 7 and the broken line representations of a spout in FIGS. 1 through 3, 6 through 10 and 12 are for the purpose of illustration only and form no part of the claimed design.







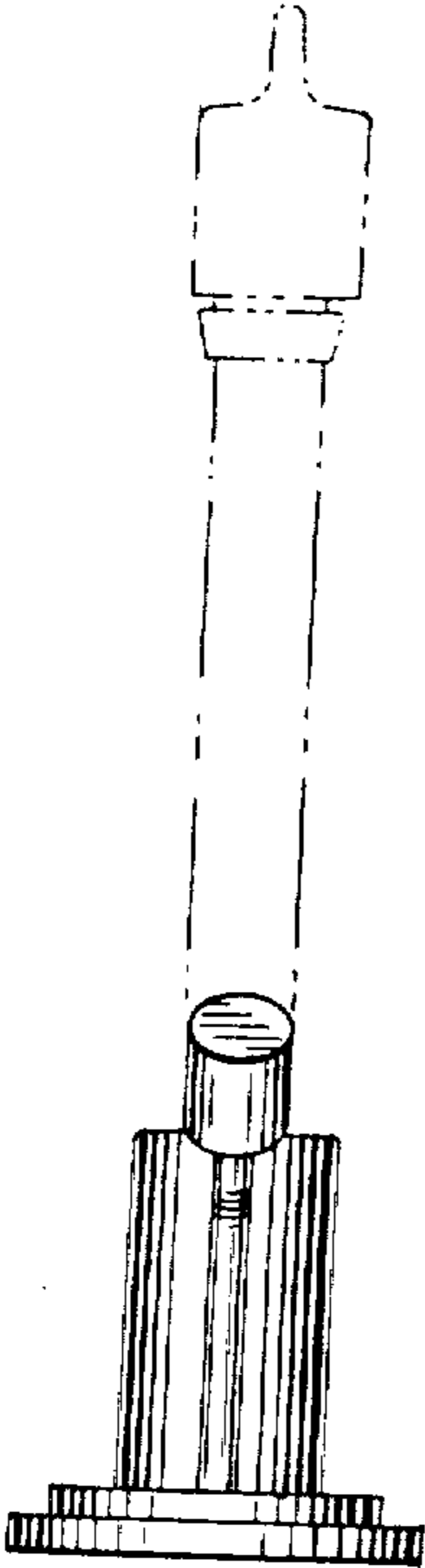


FIG. 3

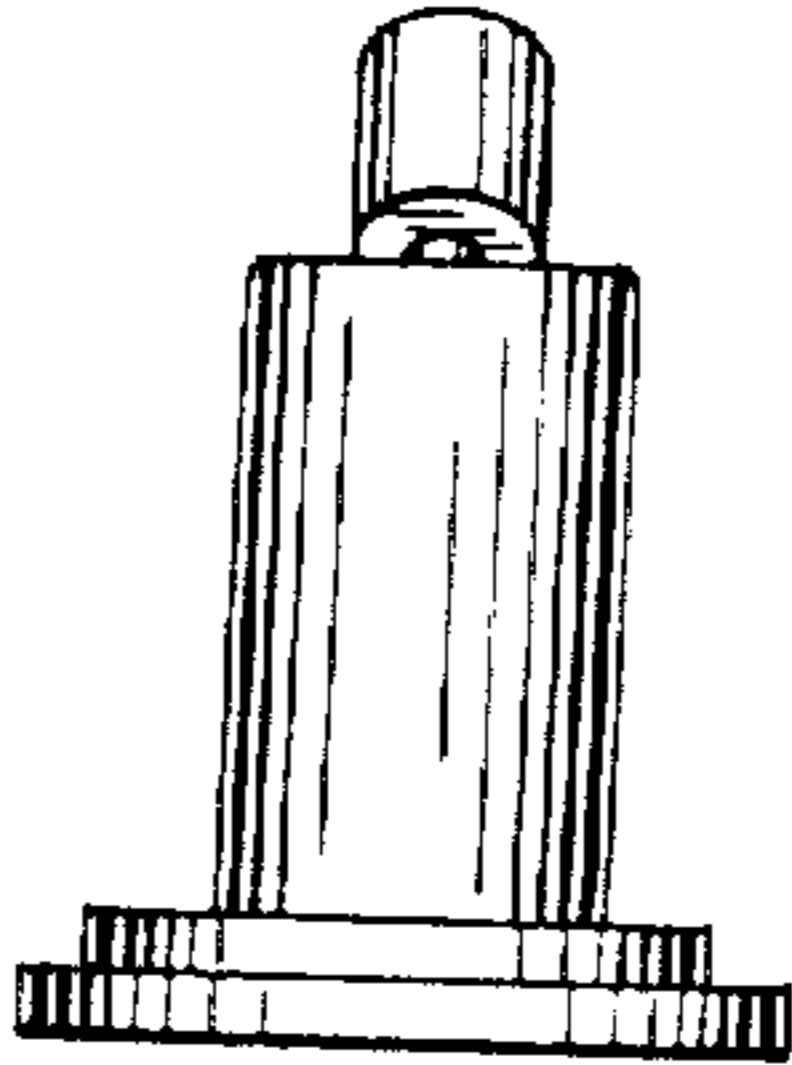


FIG. 4

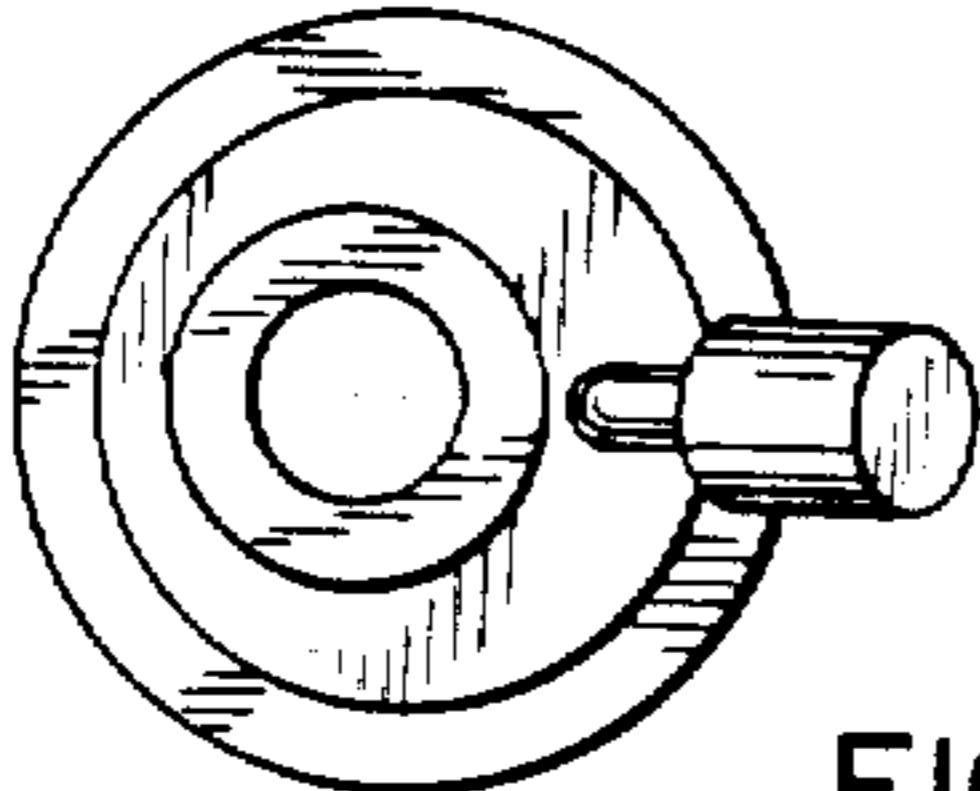


FIG. 5

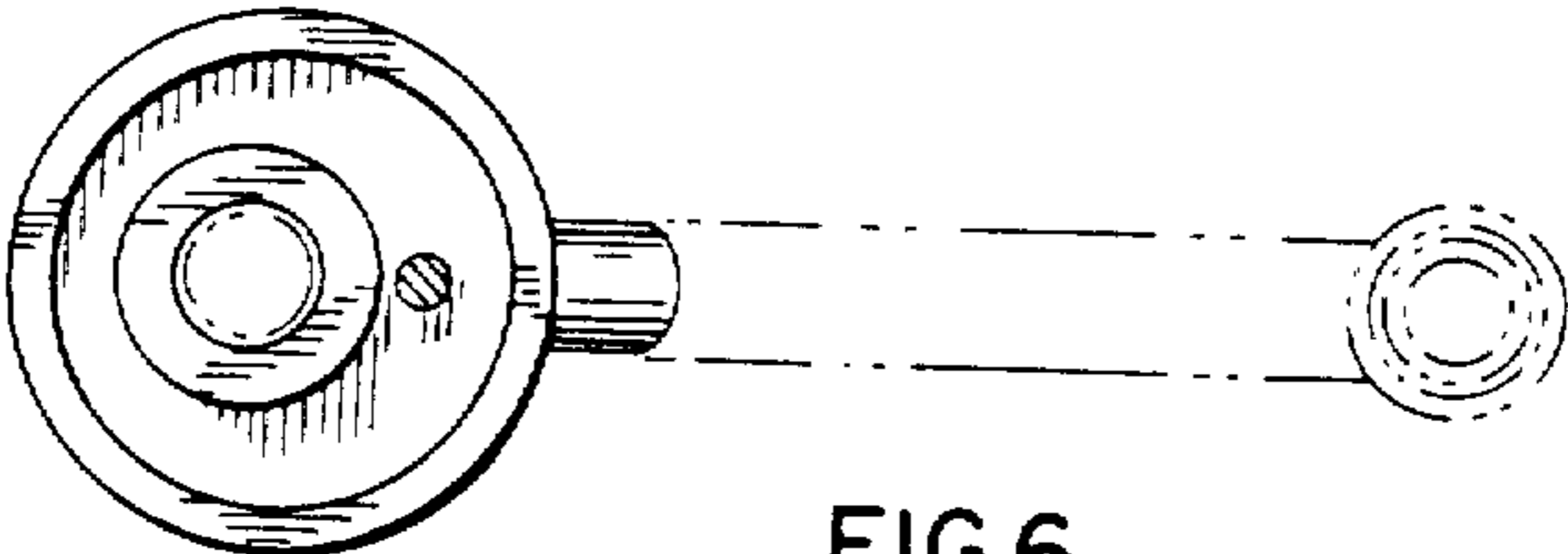


FIG. 6

