

[54] SPRAY GUN

[76] Inventor: John C. Fletcher, P.O. Box 861, Boulder City, Nev. 89005

[**] Term: 14 Years

[21] Appl. No.: 558,383

[22] Filed: Jul. 27, 1990

[52] U.S. Cl. D23/225

[58] Field of Search D23/213, 223-227; 239/302, 332, 373, 394, 414-415, 525-528, 532; D21/145-147

[56] References Cited

U.S. PATENT DOCUMENTS

D. 132,289	5/1942	Thompson	D23/225
D. 216,975	3/1970	Stevenson	D23/225
D. 296,813	7/1988	Ellison	D23/225
D. 297,350	8/1988	Kille	D23/225
D. 305,252	12/1989	Nielson et al.	D21/147

OTHER PUBLICATIONS

Melnor Catalog Mose End Sprayers, p. 23, May 1986, Fluid Treatment Box.

Primary Examiner—Susan J. Lucas

Assistant Examiner—M. H. Tung

Attorney, Agent, or Firm—Leon Gilden

[57] CLAIM

The ornamental design for a spray gun, as shown and described.

DESCRIPTION

FIG. 1 is a front elevational view of the spray gun showing my new design;

FIG. 2 is a rear elevational view thereof;

FIG. 3 is a left side elevational view thereof;

FIG. 4 is a right side elevational view thereof;

FIG. 5 is a top plan view thereof; and,

FIG. 6 is a bottom plan view thereof.

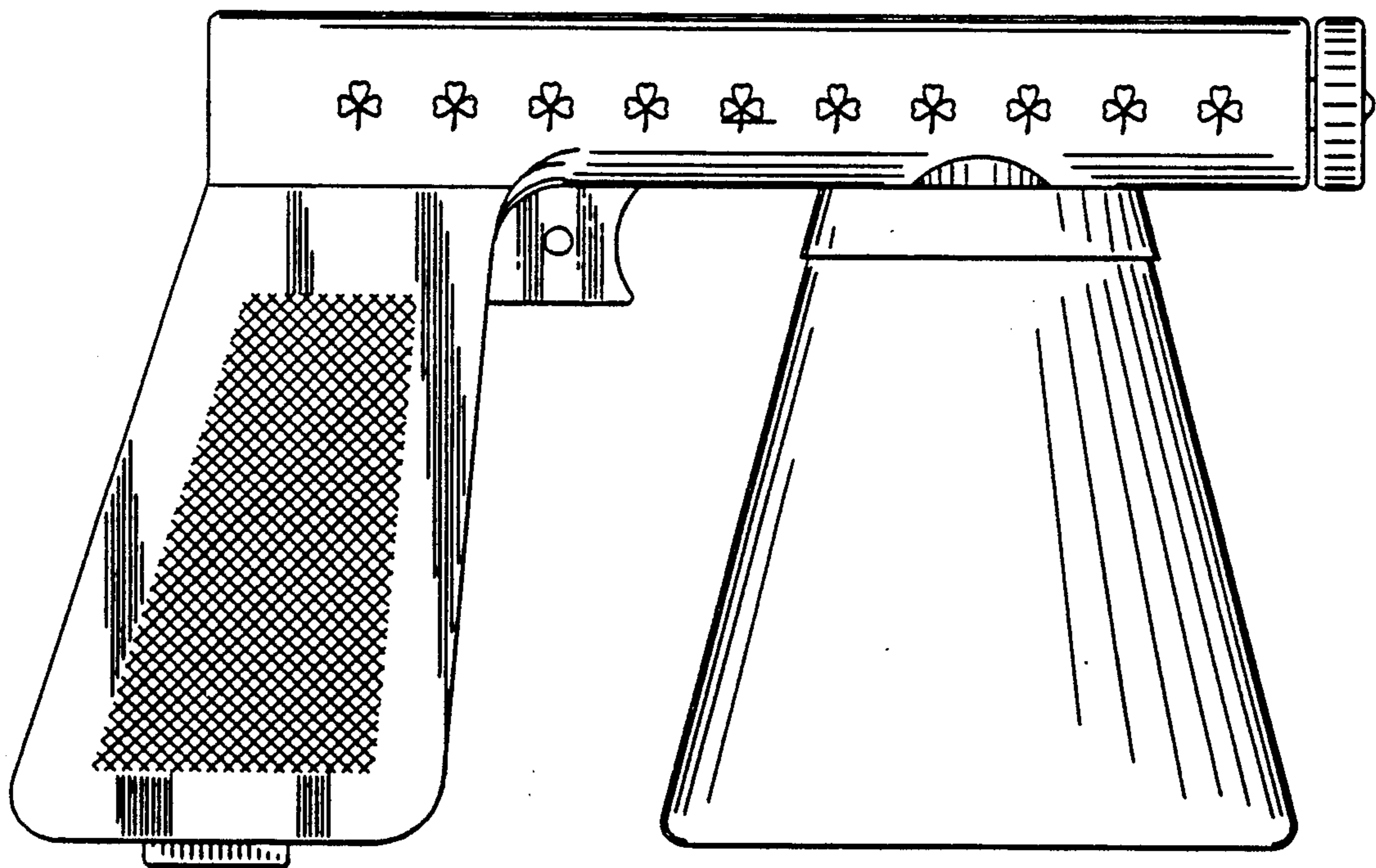


FIG. 1

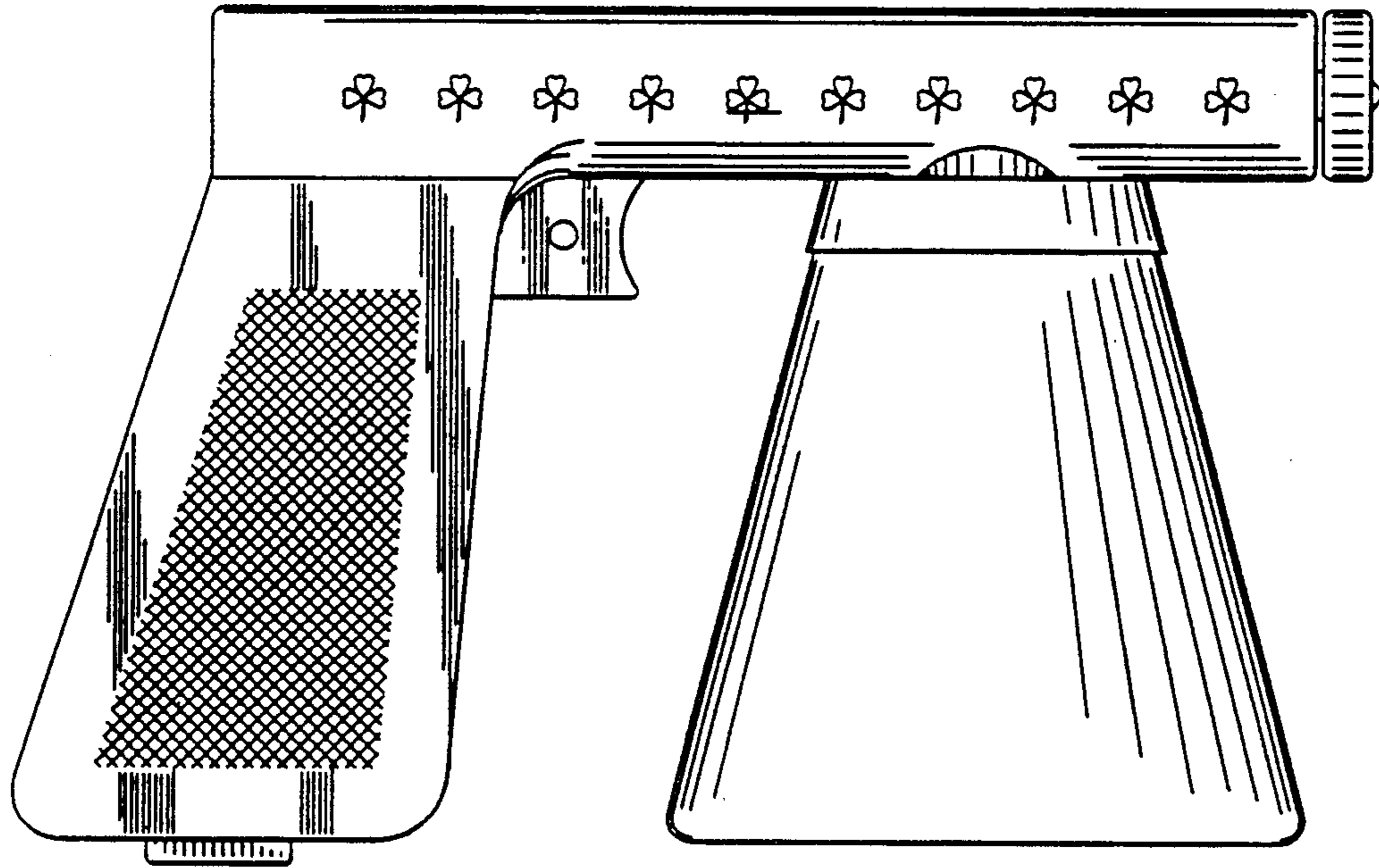


FIG. 2

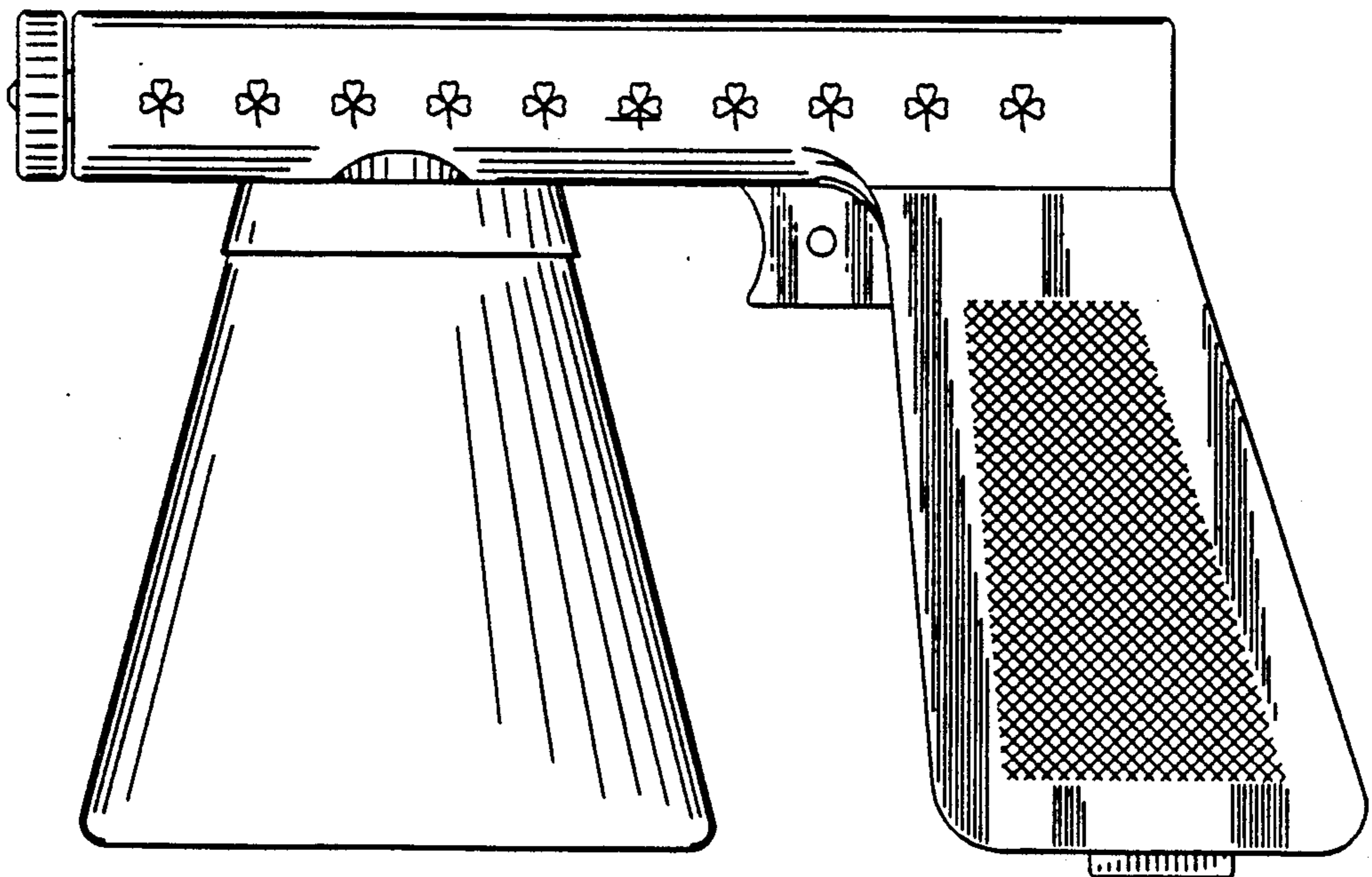


FIG. 3

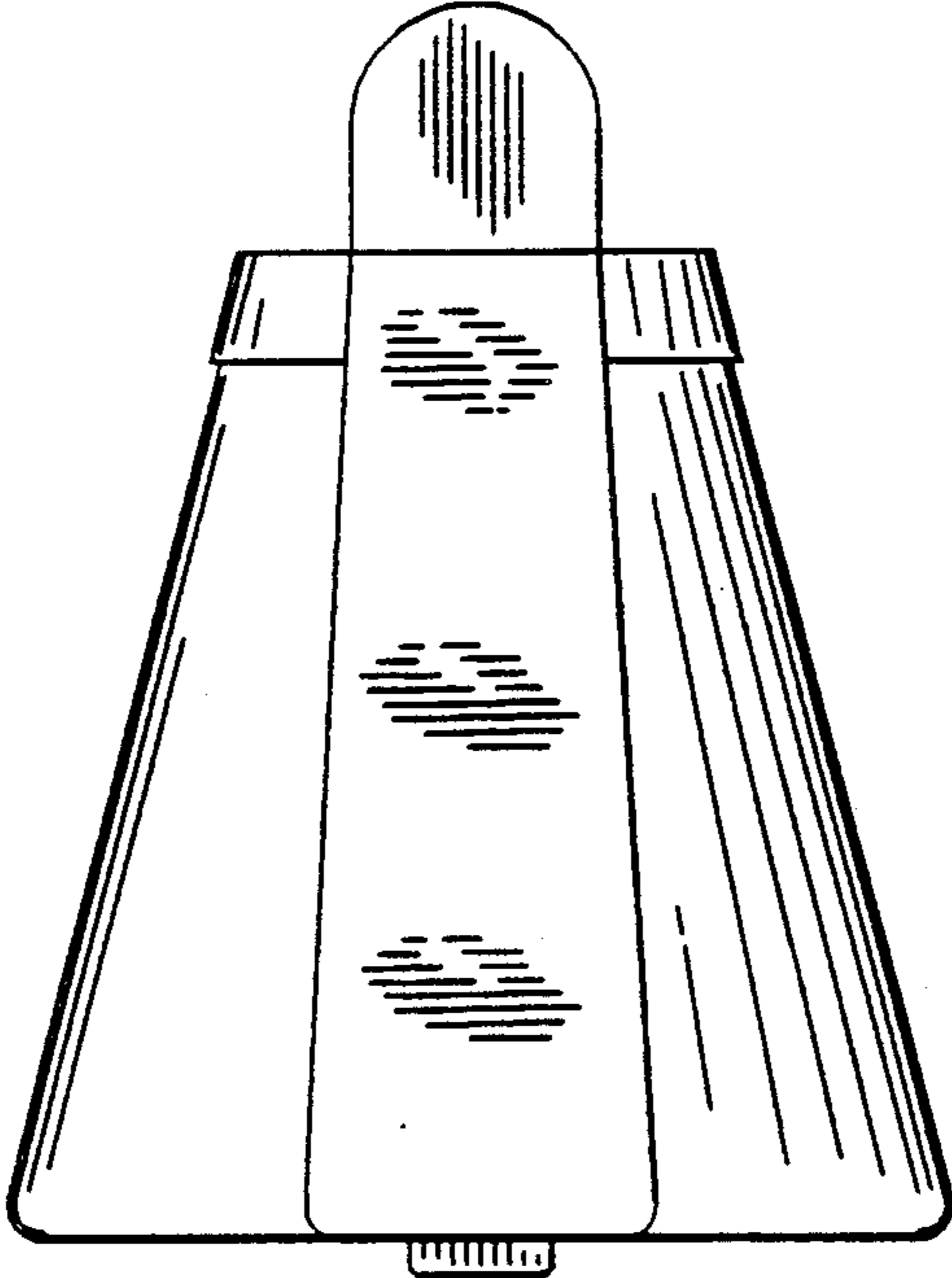


FIG. 4

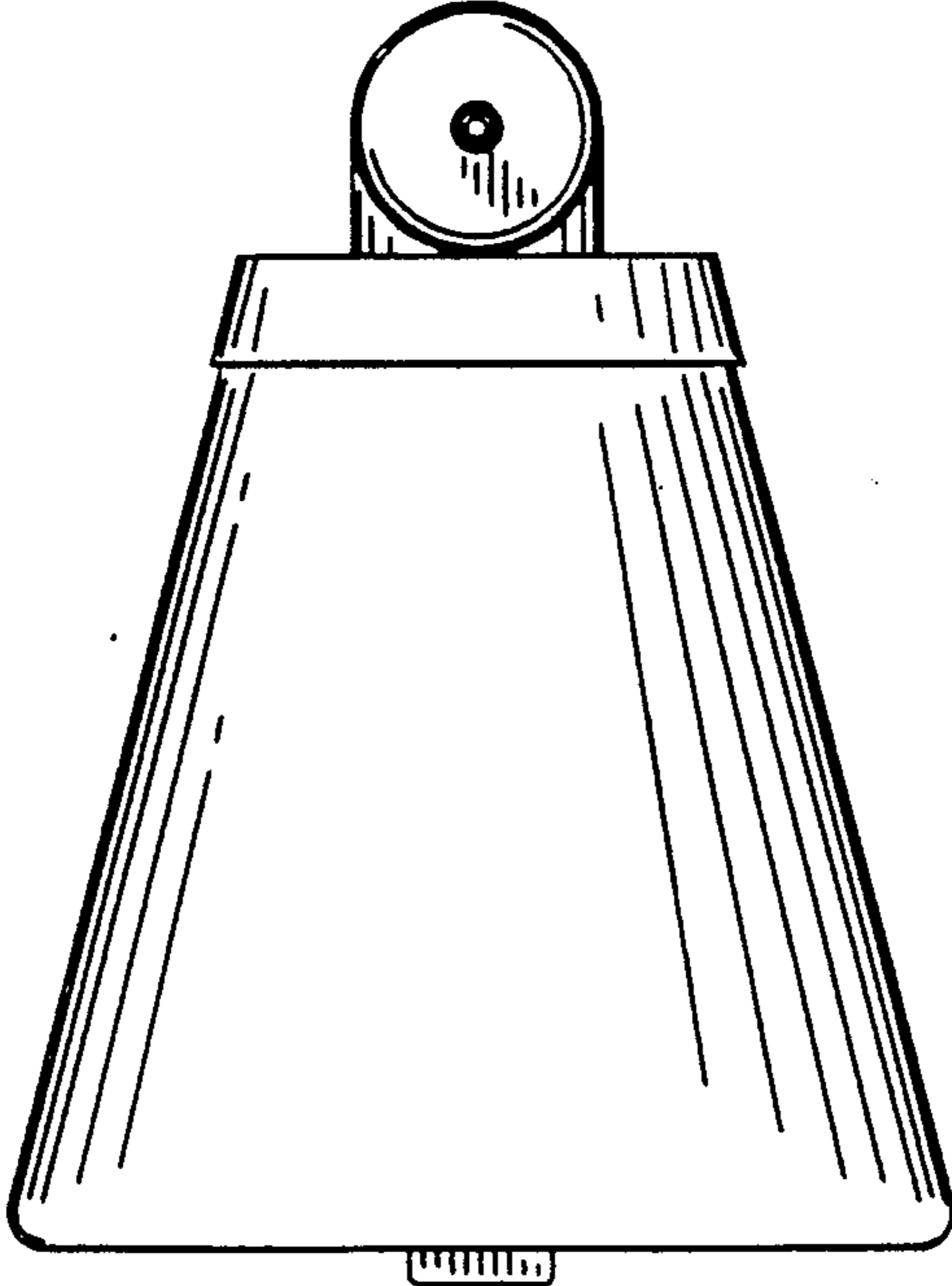


FIG. 5

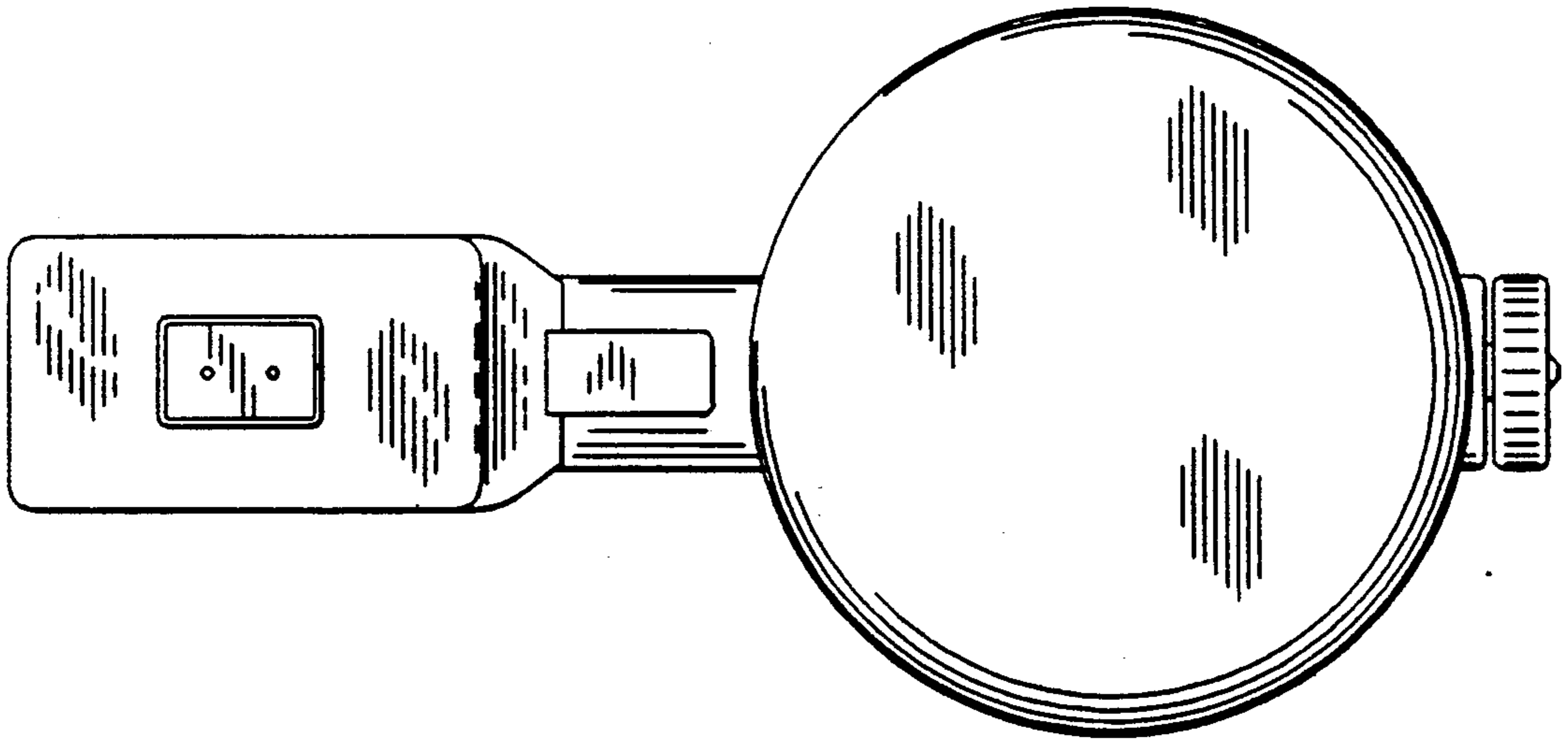


FIG. 6

