

[54] SWIMMER RESISTANCE TRAINING DEVICE

[75] Inventor: Glenn A. Anderson, Des Moines, Iowa

[73] Assignee: Creative Athletic Products & Services, Inc., Des Moines, Iowa

[**] Term: 14 Years

[21] Appl. No.: 339,361

[22] Filed: Apr. 17, 1989

[52] U.S. Cl. D21/238; D21/236

[58] Field of Search D21/236, 237, 238, 239; 272/71, 116, 130; 441/55

[56] References Cited

U.S. PATENT DOCUMENTS

3,142,485	7/1964	Jacobsen	272/57
3,516,668	6/1970	Kirk	441/58
3,517,930	6/1970	Jacobsen	272/71
3,584,870	6/1971	Garst	272/57 R
4,074,904	2/1978	Arcidiacono	272/116
4,565,369	1/1986	Bedgood	272/130
4,632,387	12/1986	Gazman	272/116

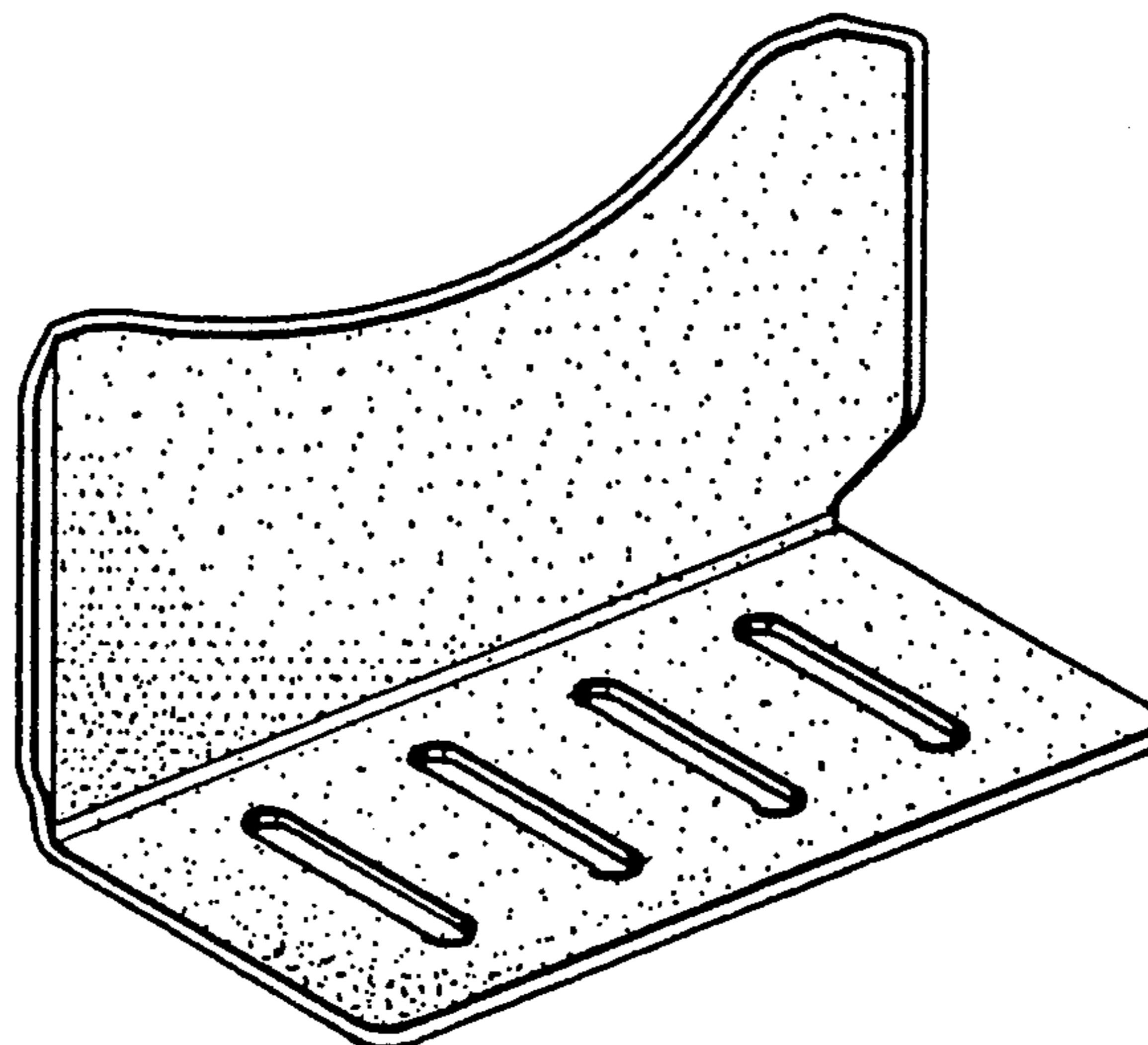
Primary Examiner—Kay H. Chin
Attorney, Agent, or Firm—Zarley, McKee, Thomte, Voorhees & Sease

[57] CLAIM

The ornamental design for a swimmer resistance training device, or similar article as shown.

DESCRIPTION

FIG. 1 is a front perspective view of a swimmer resistance training device showing my new design; FIG. 2 is a right side elevational view thereof, the left side view being a mirror image of that shown; FIG. 3 is a front elevational view thereof. FIG. 4 is a top plan view thereof. FIG. 5 is a rear elevational view thereof. FIG. 6 is a bottom plan view thereof. FIG. 7 is a front perspective of a second embodiment of the swimmer resistance training plate; FIG. 8 is a right side elevational view of FIG. 7, the left side view being a mirror image of that shown; FIG. 9 is a front elevational view of FIG. 7; FIG. 10 is a top plan view of FIG. 7; FIG. 11 is a rear elevational view of FIG. 7; FIG. 12 is a bottom plan view of FIG. 7; FIG. 13 is a front perspective view of a third embodiment of the swimmer resistance training plate; FIG. 14 is a right side elevational view of FIG. 13, the left side view being a mirror image of that shown; FIG. 15 is a front elevational view of FIG. 13; FIG. 16 is a top plan view of FIG. 13; FIG. 17 is a rear elevational view of FIG. 13; and FIG. 18 is a bottom plan view of FIG. 13.



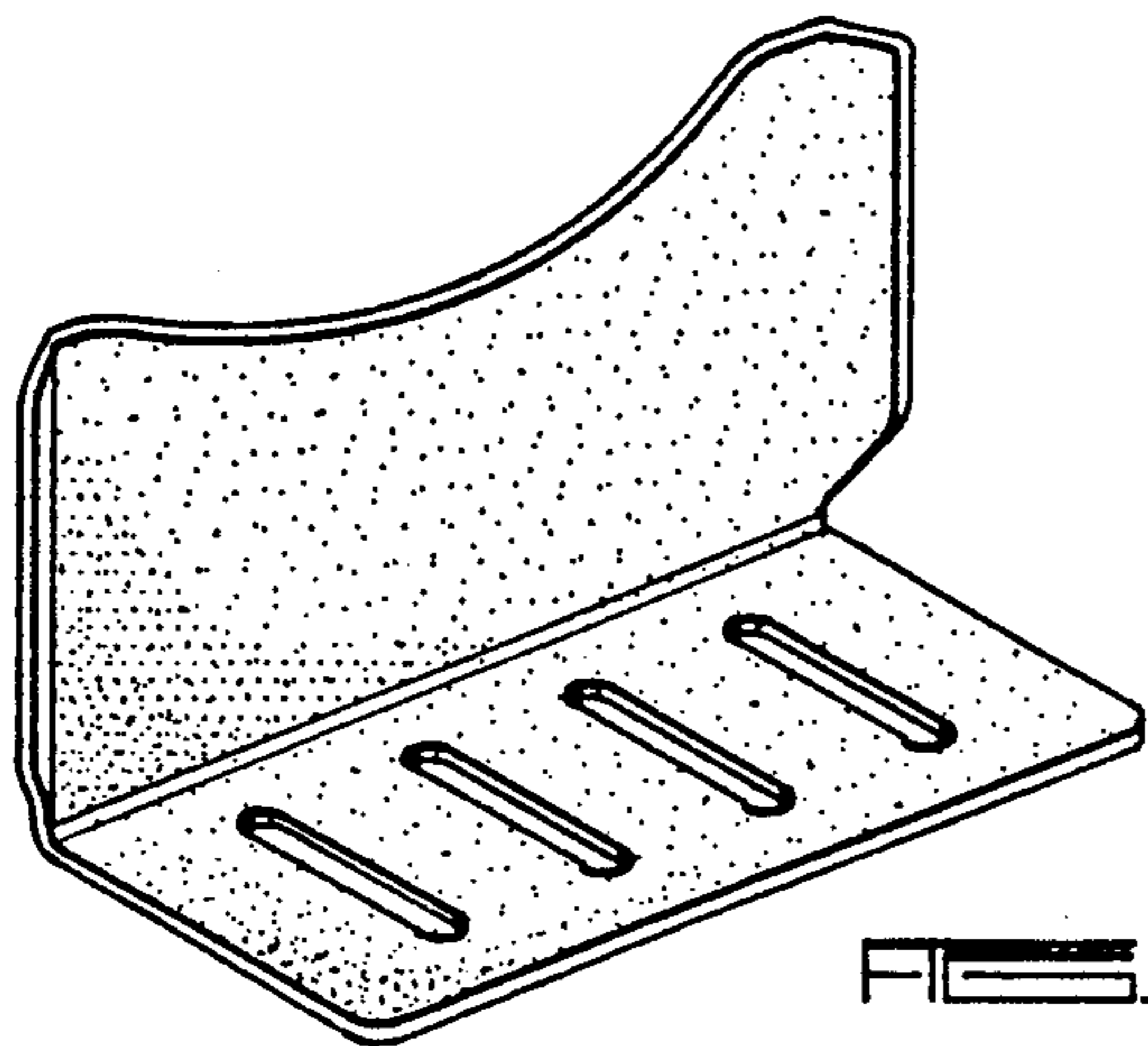


FIG. 1

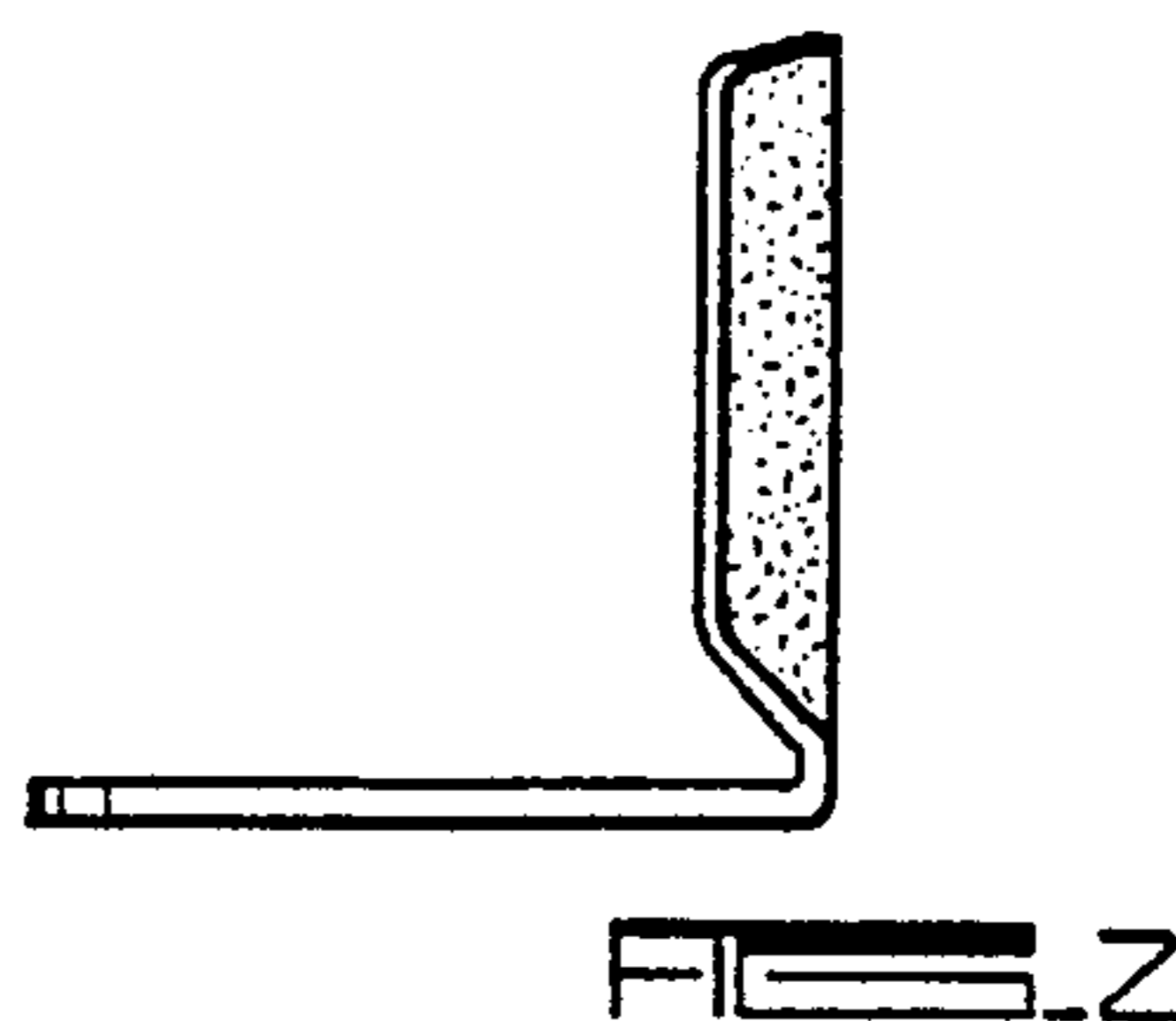


FIG. 2

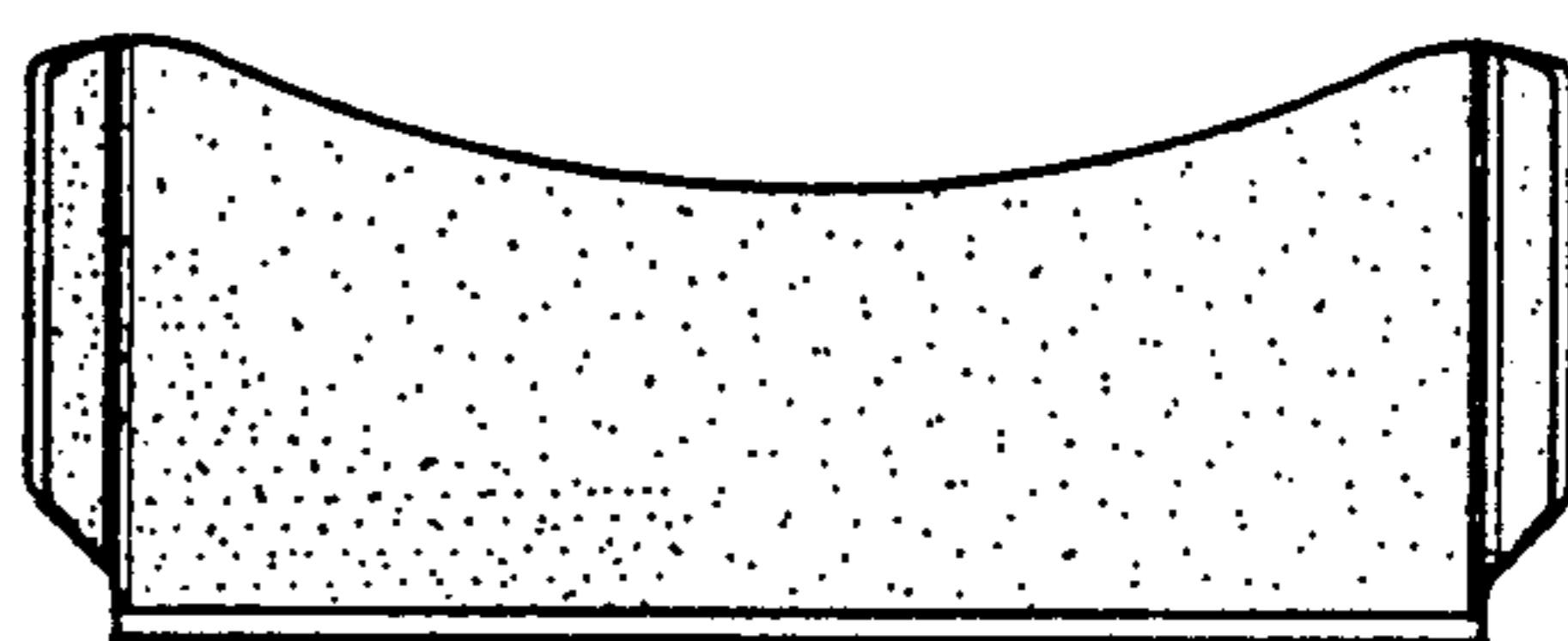


FIG. 3

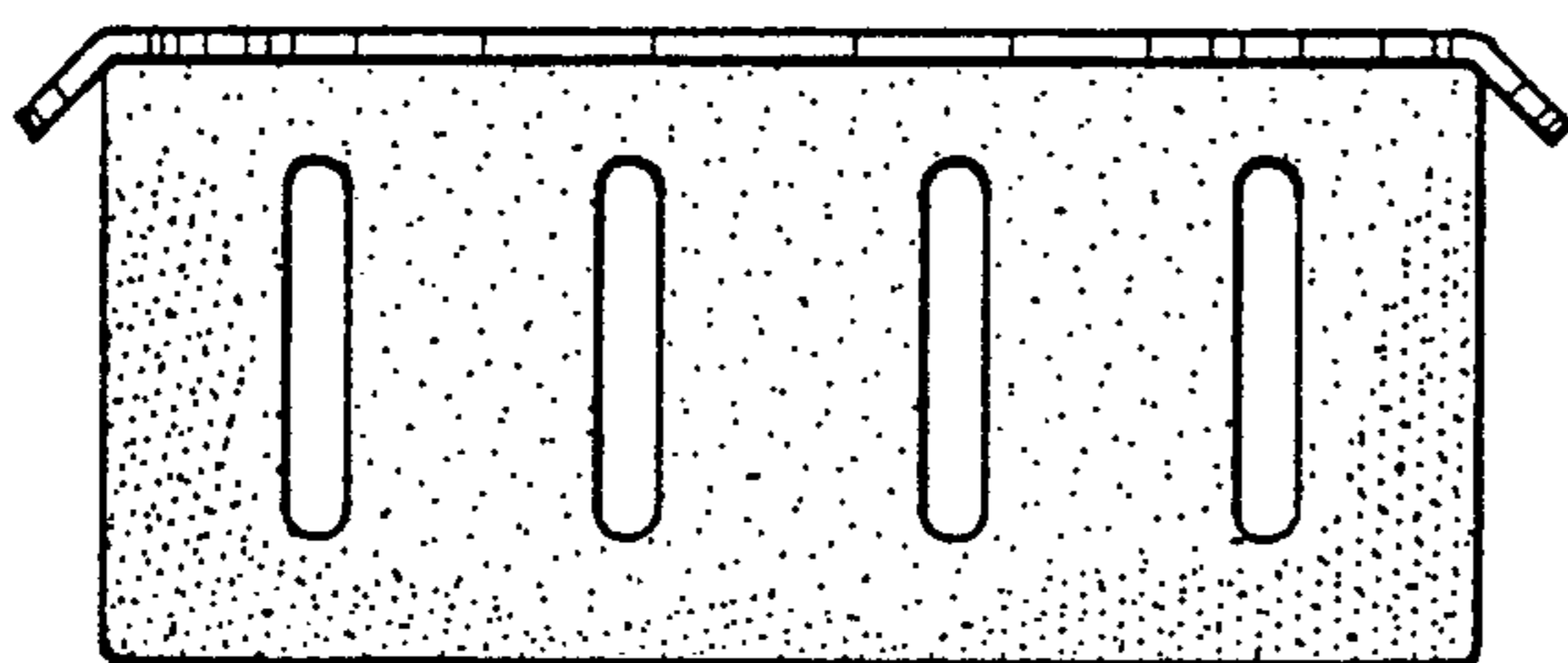


FIG. 4

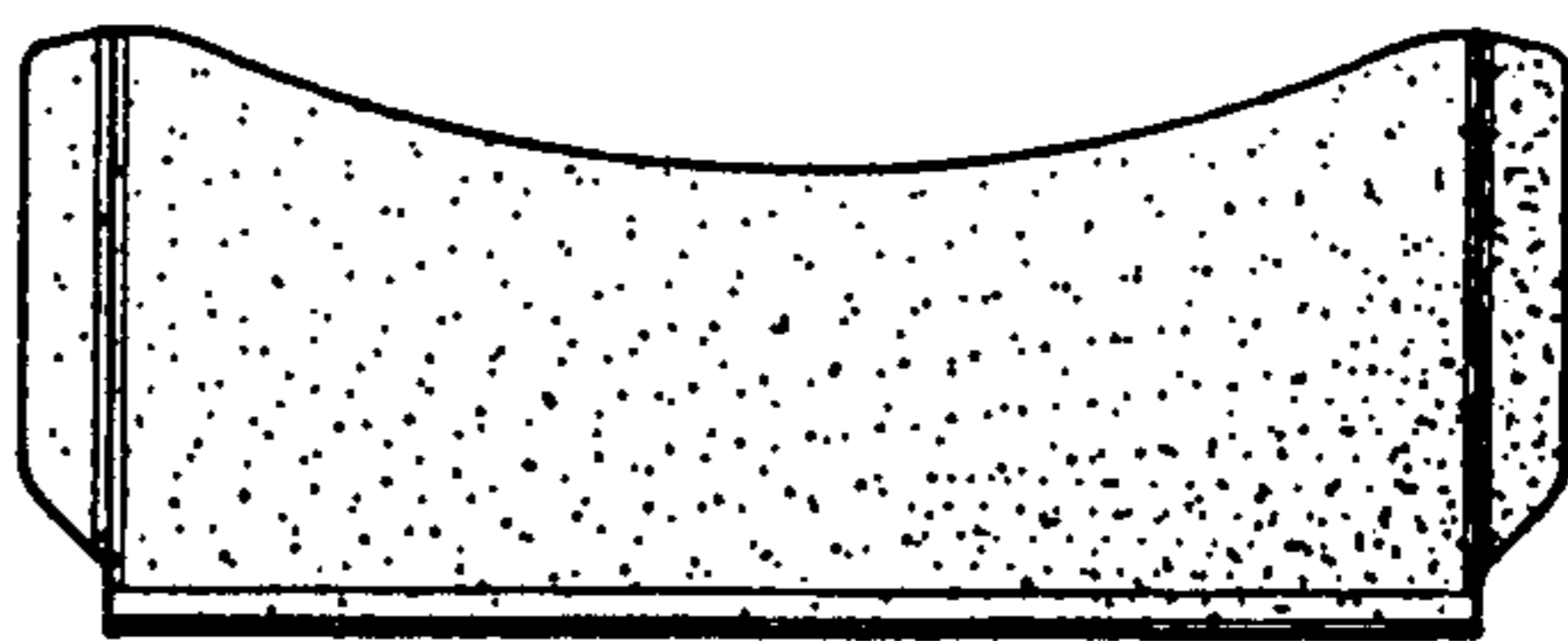


FIG. 5

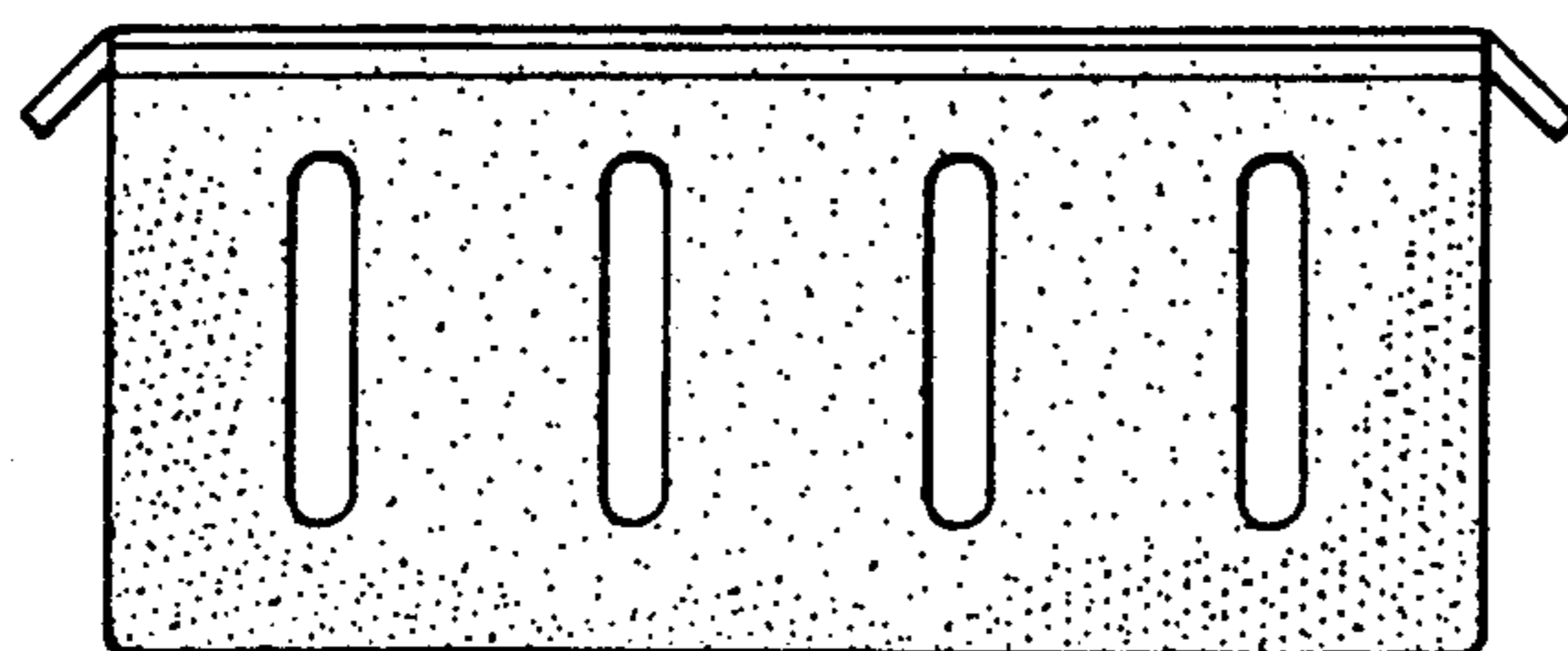


FIG. 6

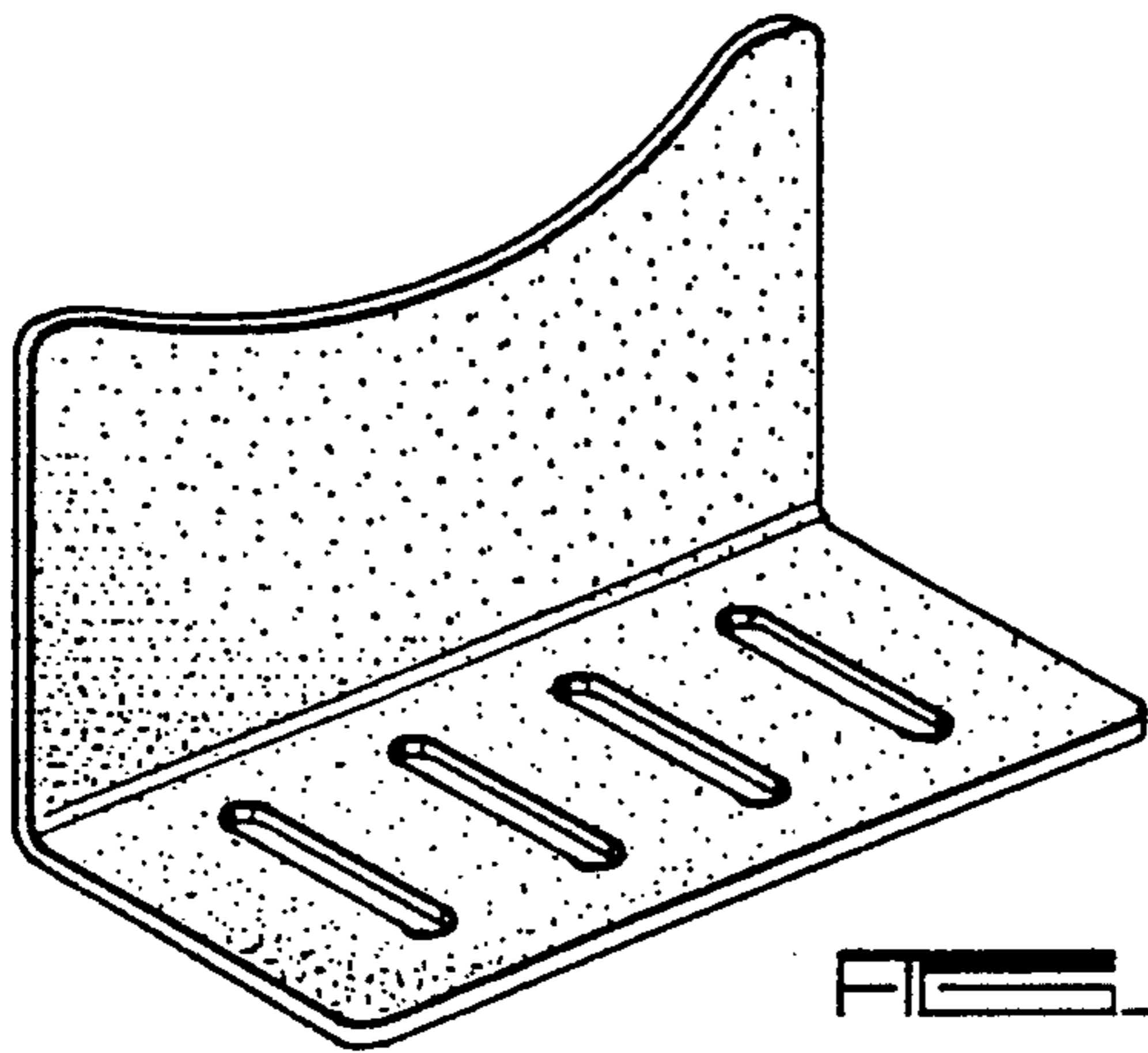


FIG. 7

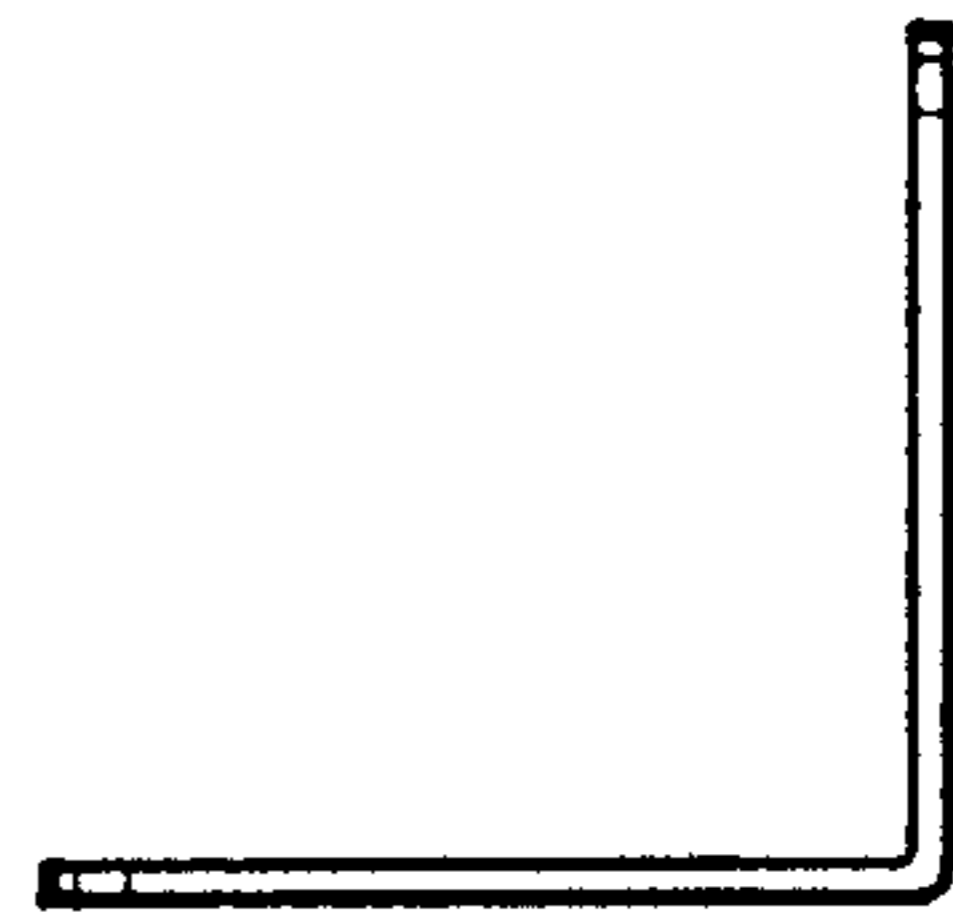


FIG. 8

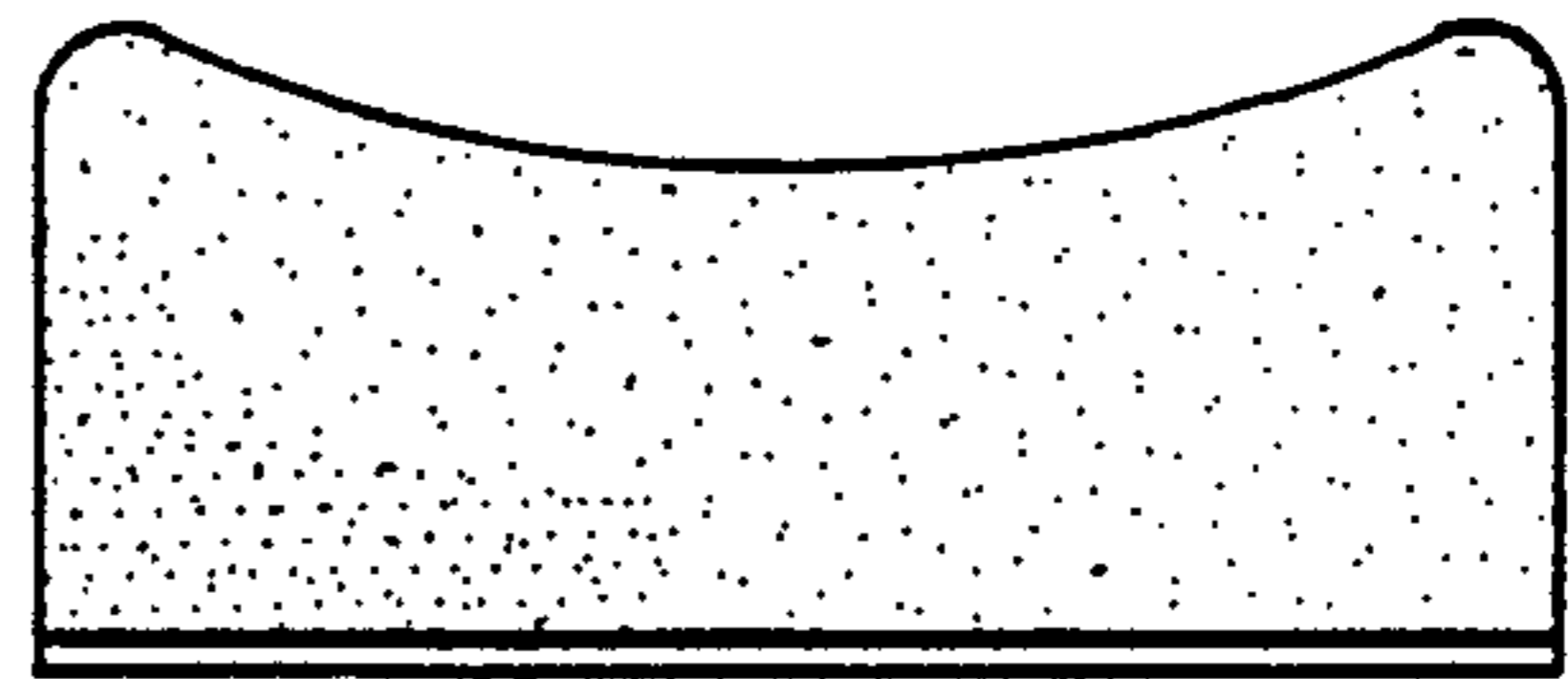


FIG. 9

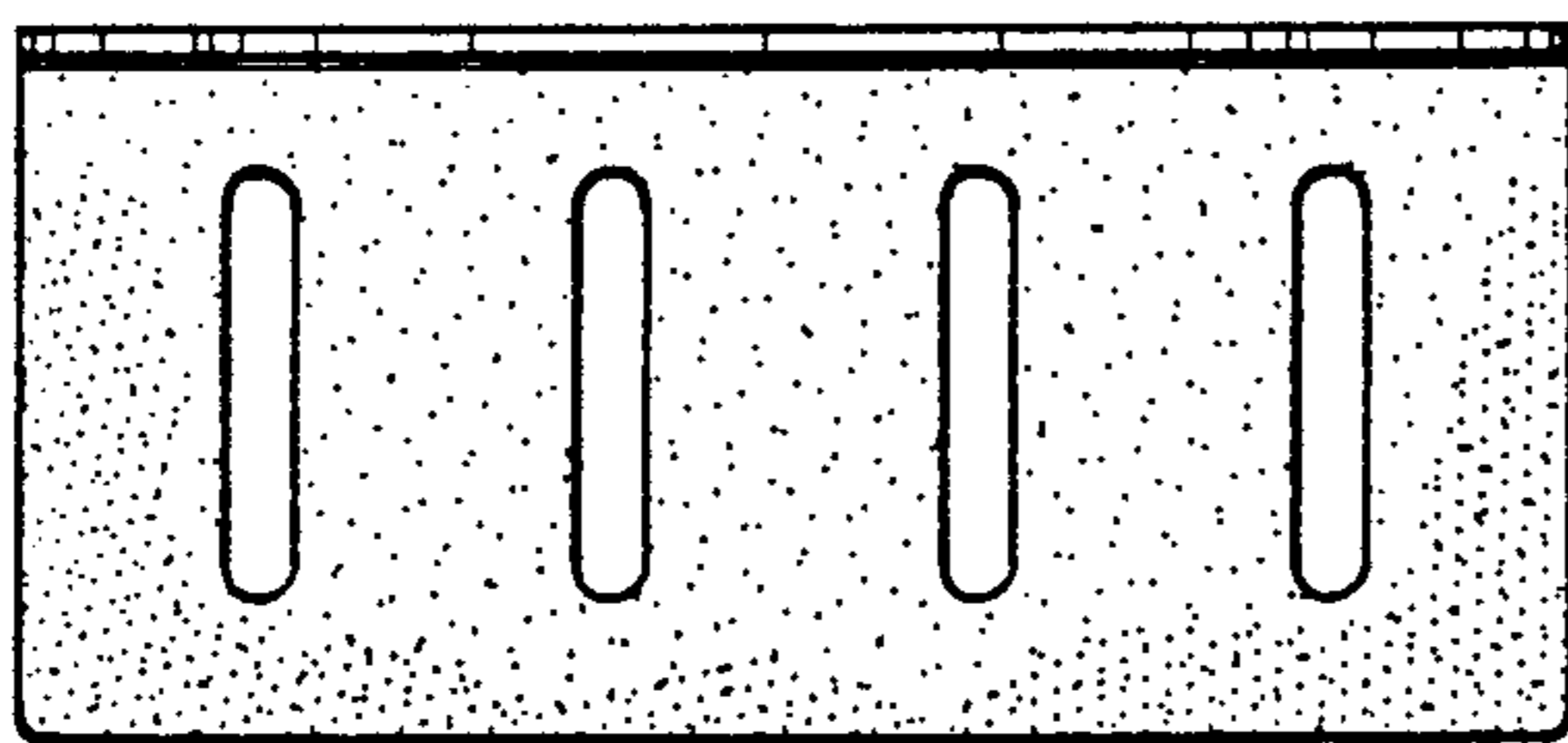


FIG. 10

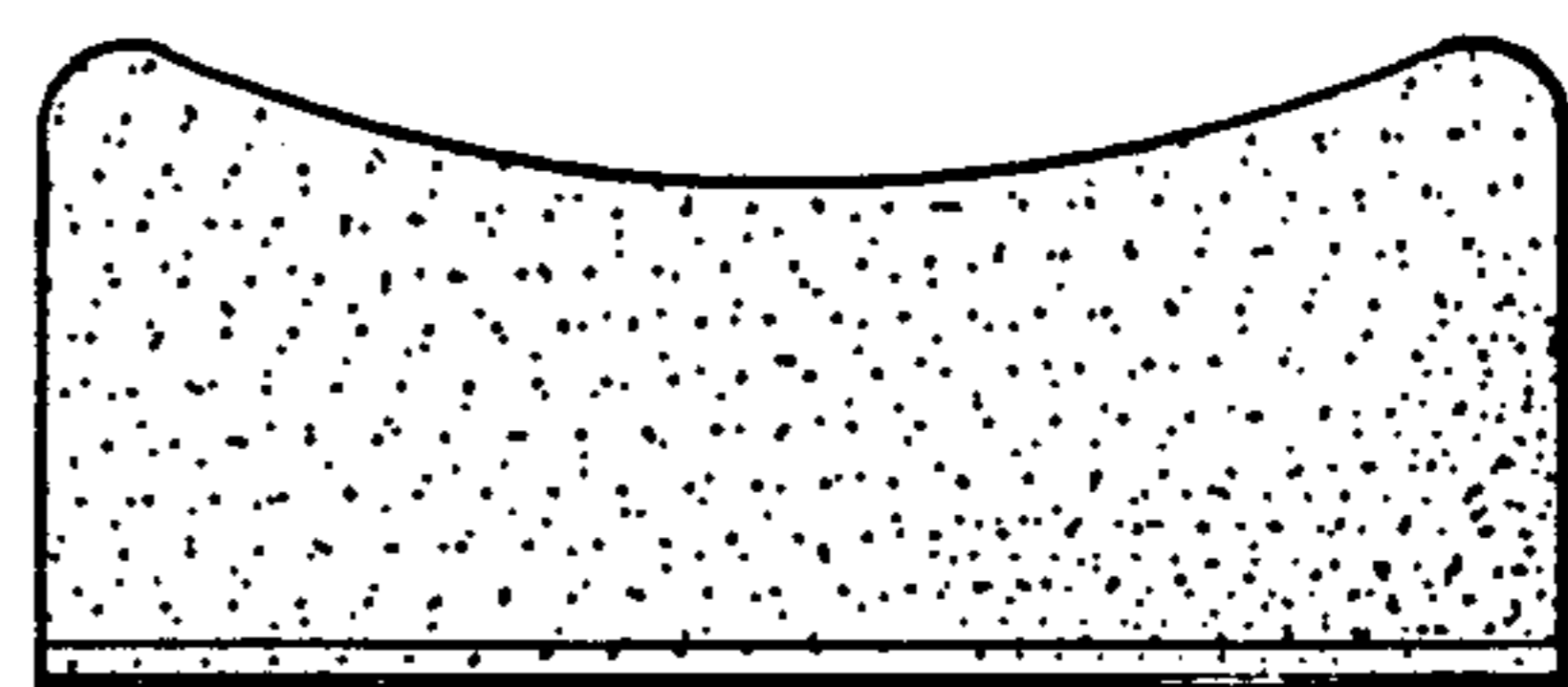


FIG. 11

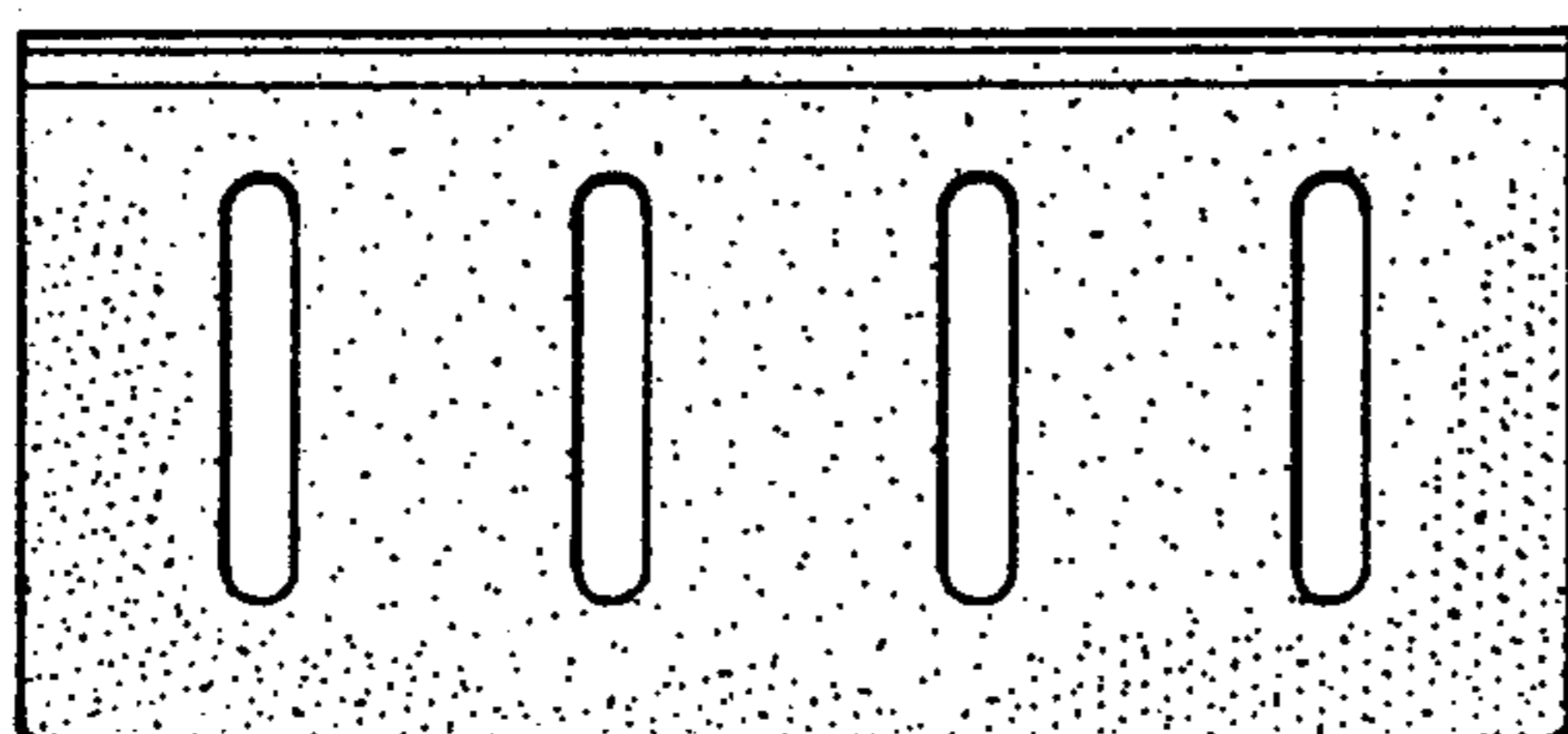


FIG. 12

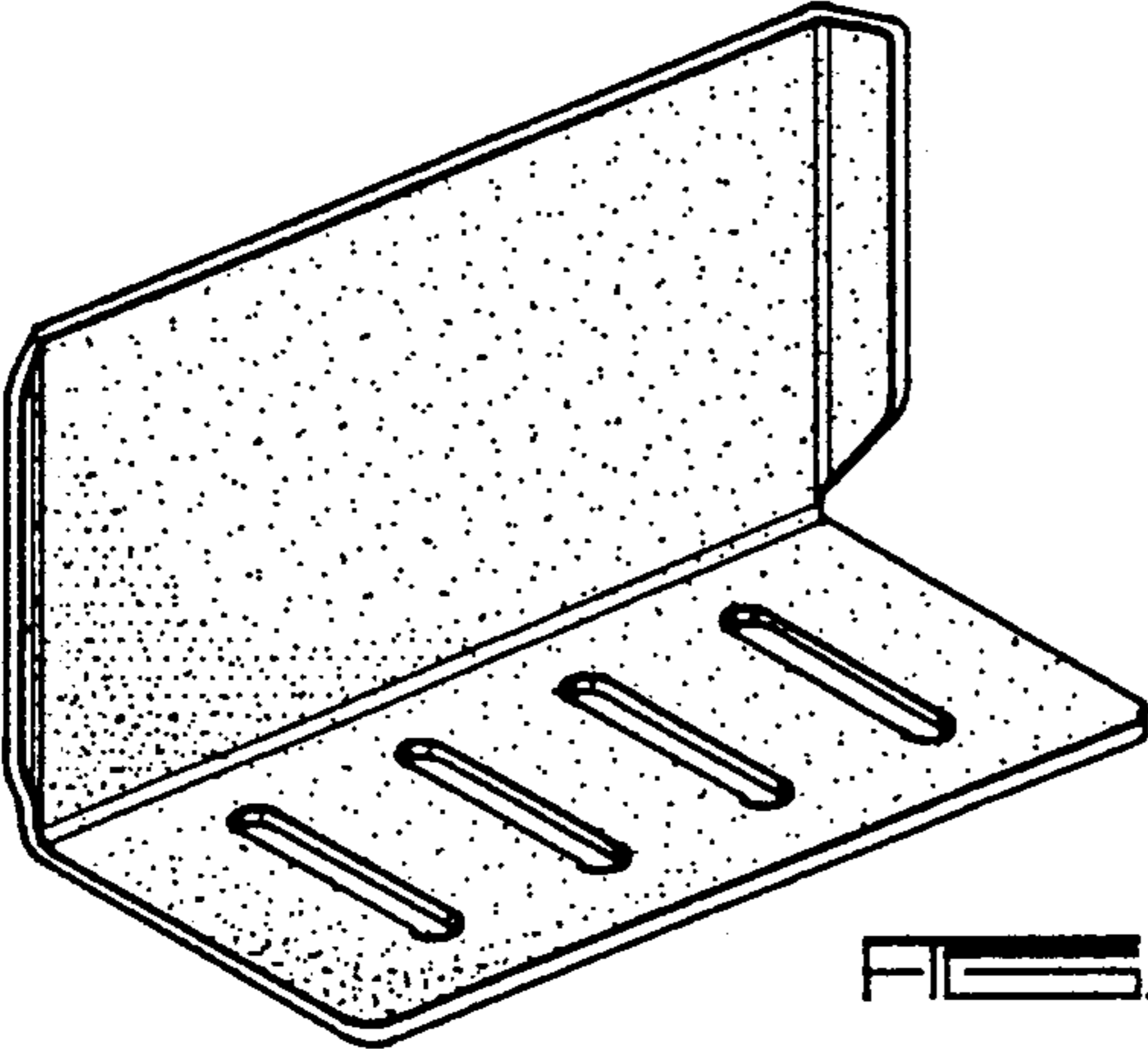


FIG. 13

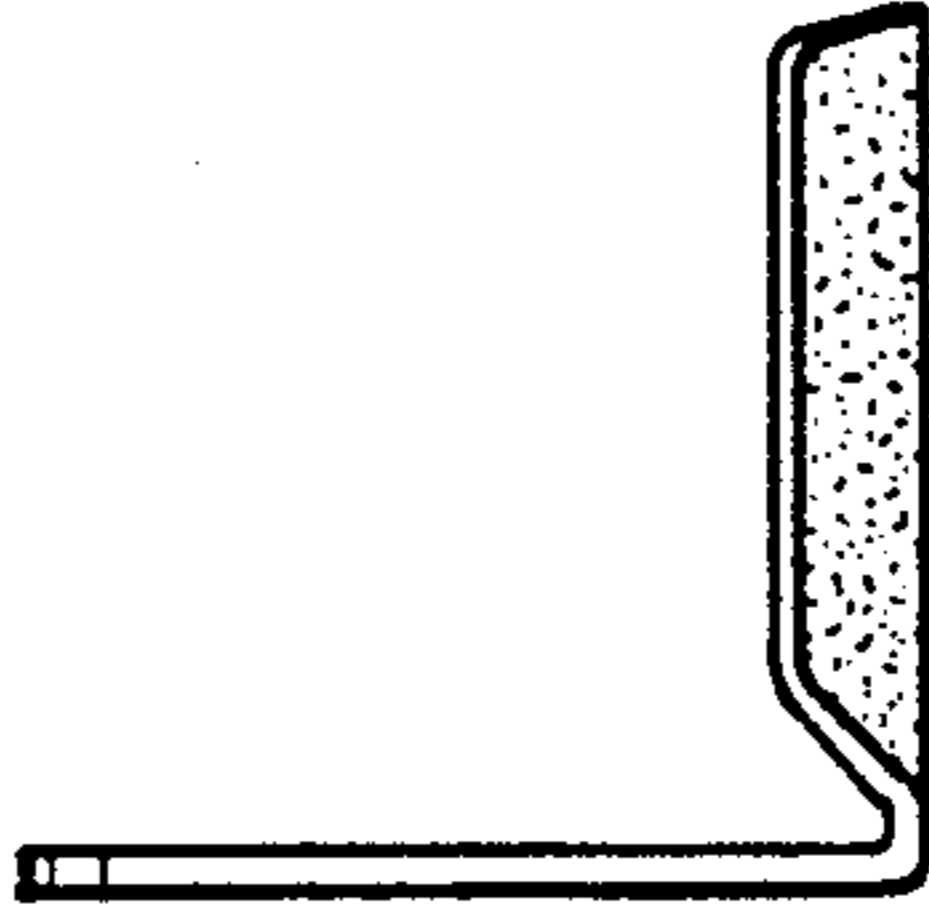


FIG. 14

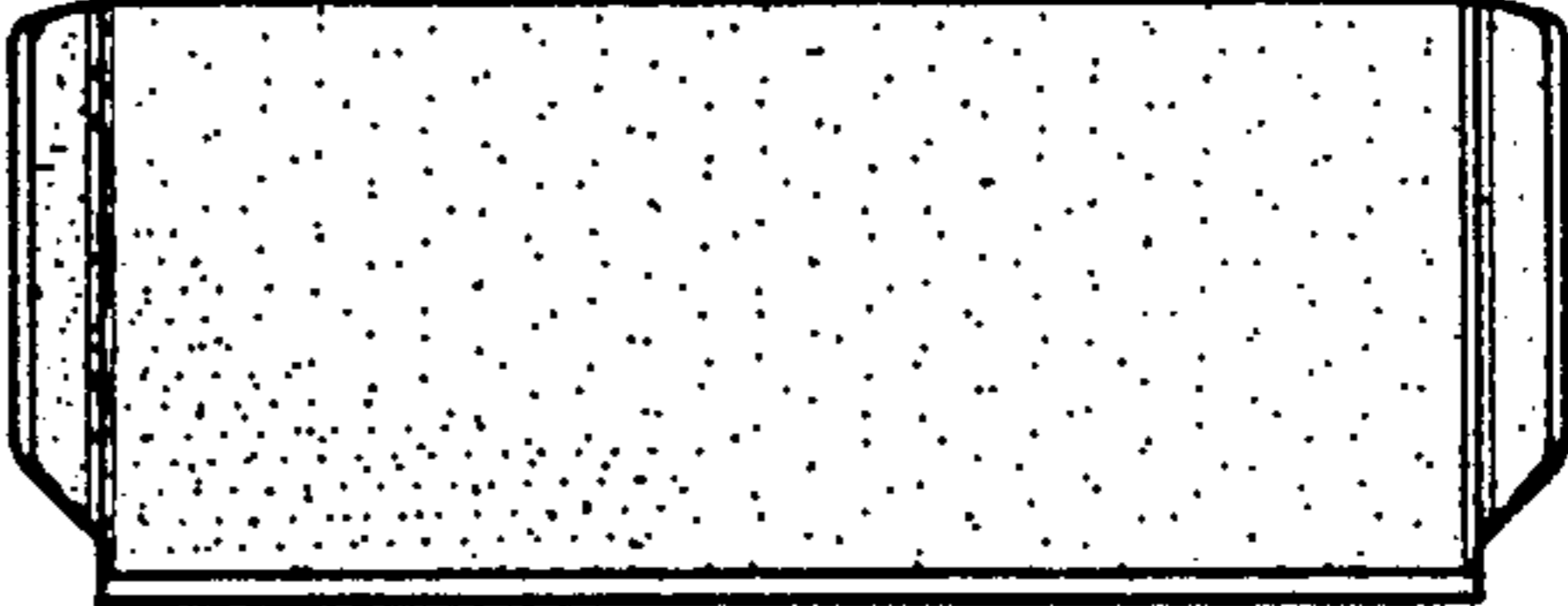


FIG. 15

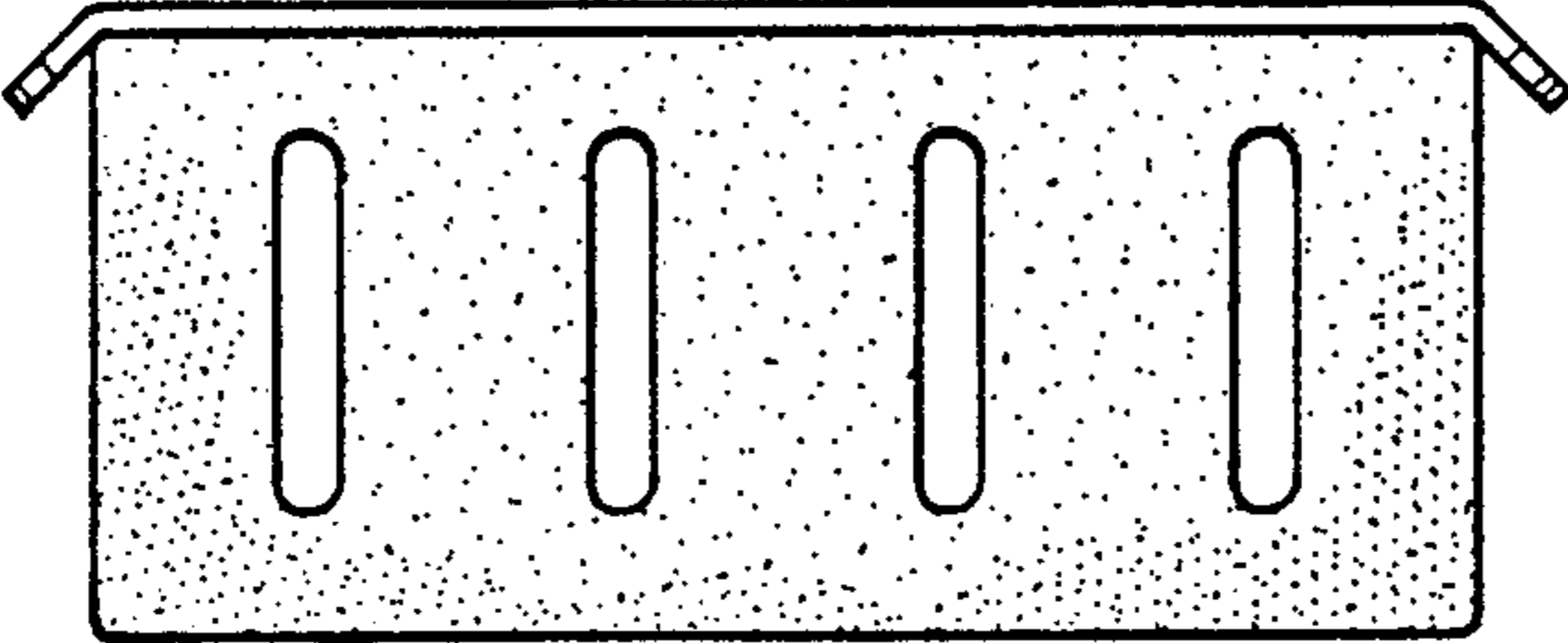


FIG. 16

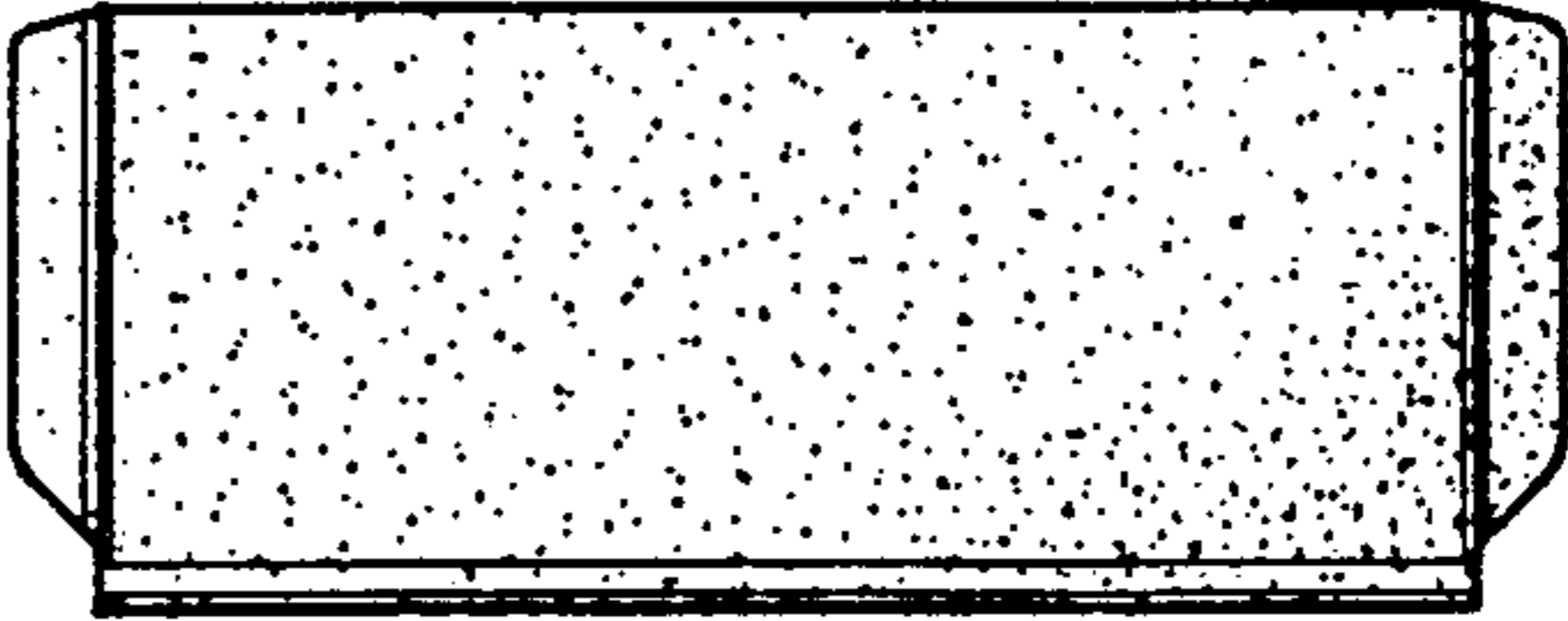


FIG. 17

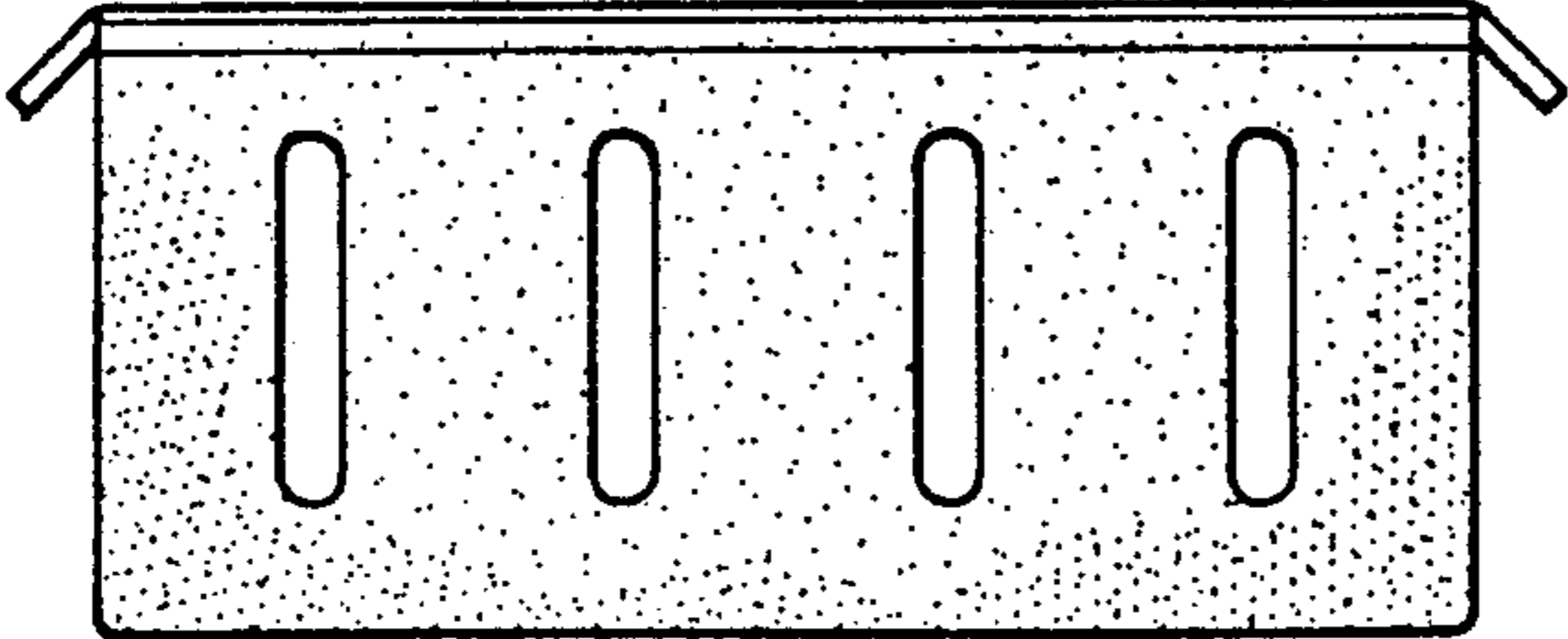


FIG. 18