

[54] PUTTER GOLF CLUB HEAD

[76] Inventor: Anthony J. Antonious, 205 E. Joppa Rd., Towson, Md. 21204

[\*\*] Term: 14 Years

[21] Appl. No.: 336,294

[22] Filed: Apr. 11, 1989

[52] U.S. Cl. .... D21/219

[58] Field of Search ..... D21/214-220; 273/164, 167-175

[56] References Cited

U.S. PATENT DOCUMENTS

- D. 202,715 11/1965 Solheim ..... D21/219
- D. 313,449 1/1991 Shearer ..... D21/219

OTHER PUBLICATIONS

Golf Digest, Apr. 1977, p. 34, Lynx Master Putter.

Golf Digest, Dec. 1988, p. 97, upper left, item No. 7, putter.

Primary Examiner—Melvin B. Feifer  
Attorney, Agent, or Firm—N. J. Aquilino

[57] CLAIM

The ornamental design for a putter golf club head, as shown and described.

DESCRIPTION

FIG. 1 is a rear perspective view of the putter golf club head showing my new design.

FIG. 2 is a rear elevational view thereof.

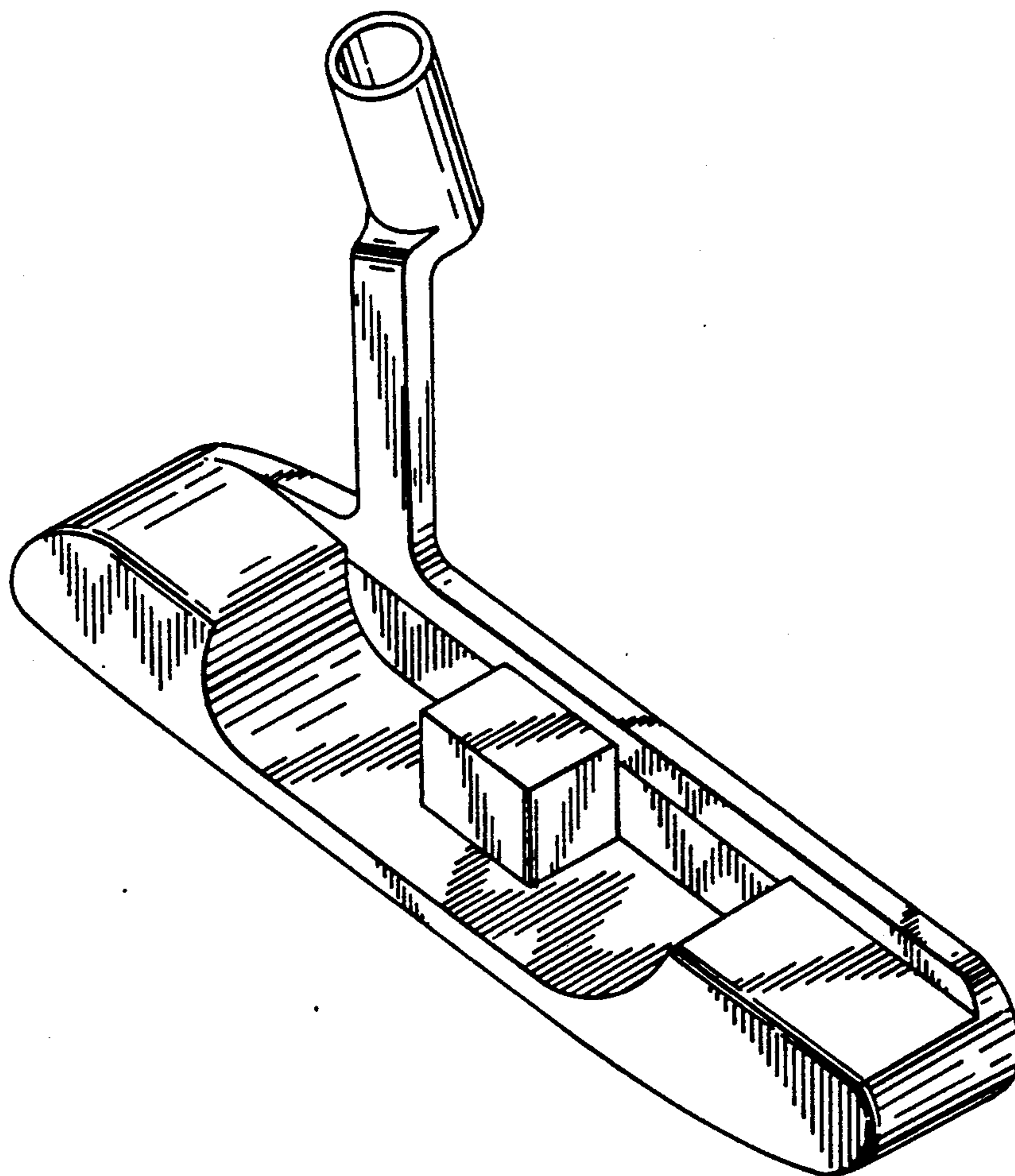
FIG. 3 is an end elevational view thereof.

FIG. 4 is a top plan view thereof.

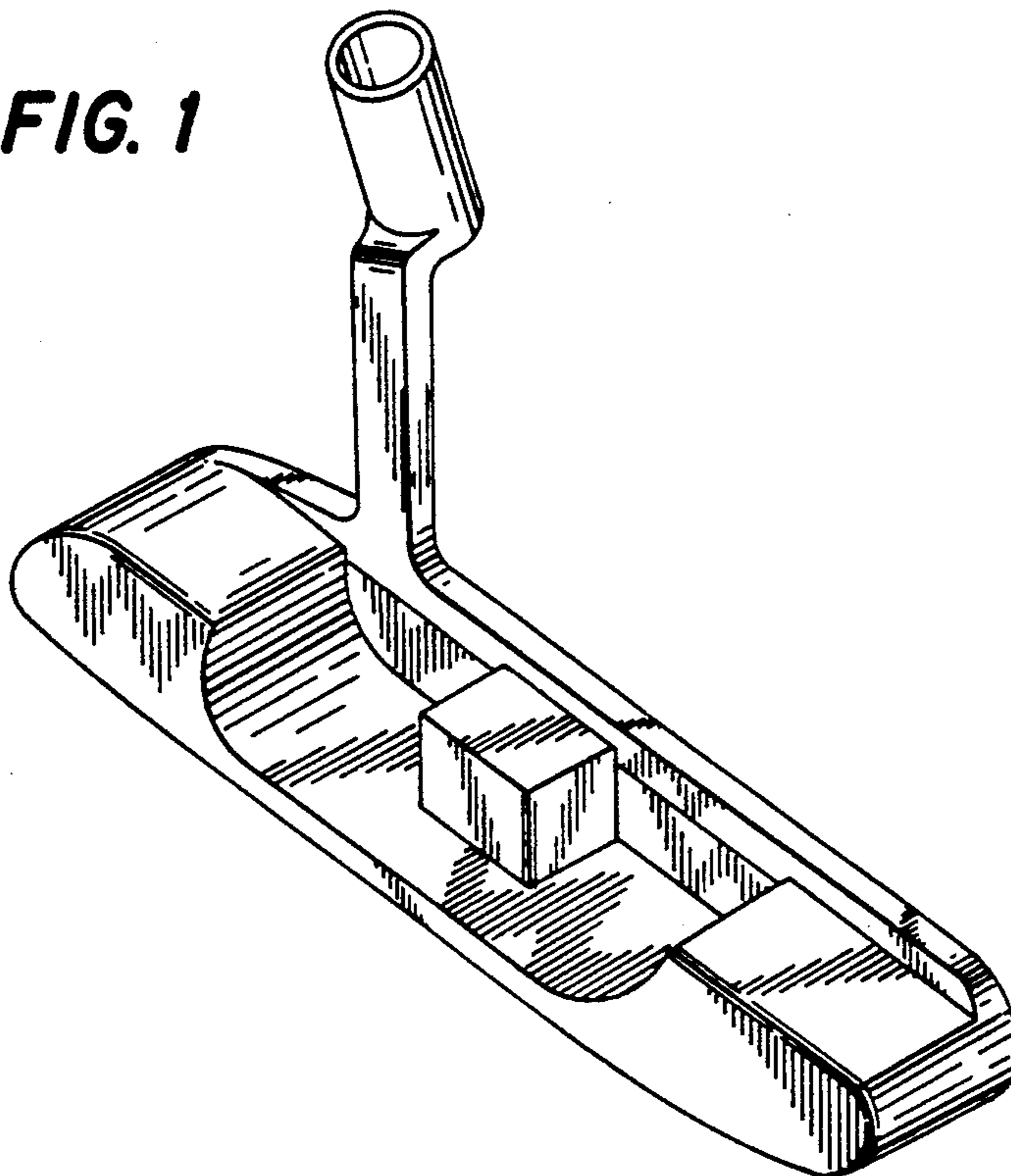
FIG. 5 is a front elevational view thereof.

FIG. 6 is an end elevational view taken from the opposite side of FIG. 3.

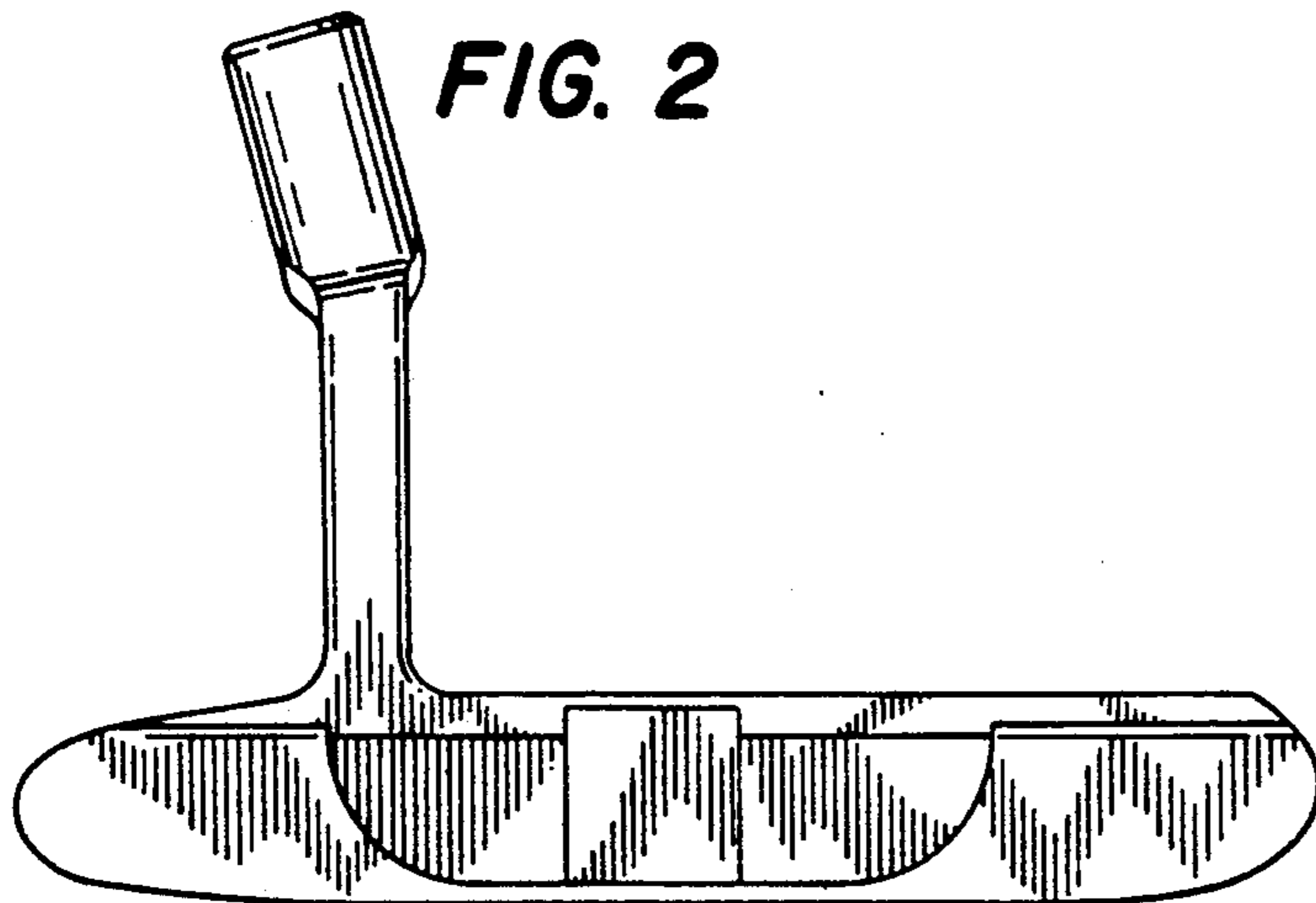
FIG. 7 is a bottom view thereof.



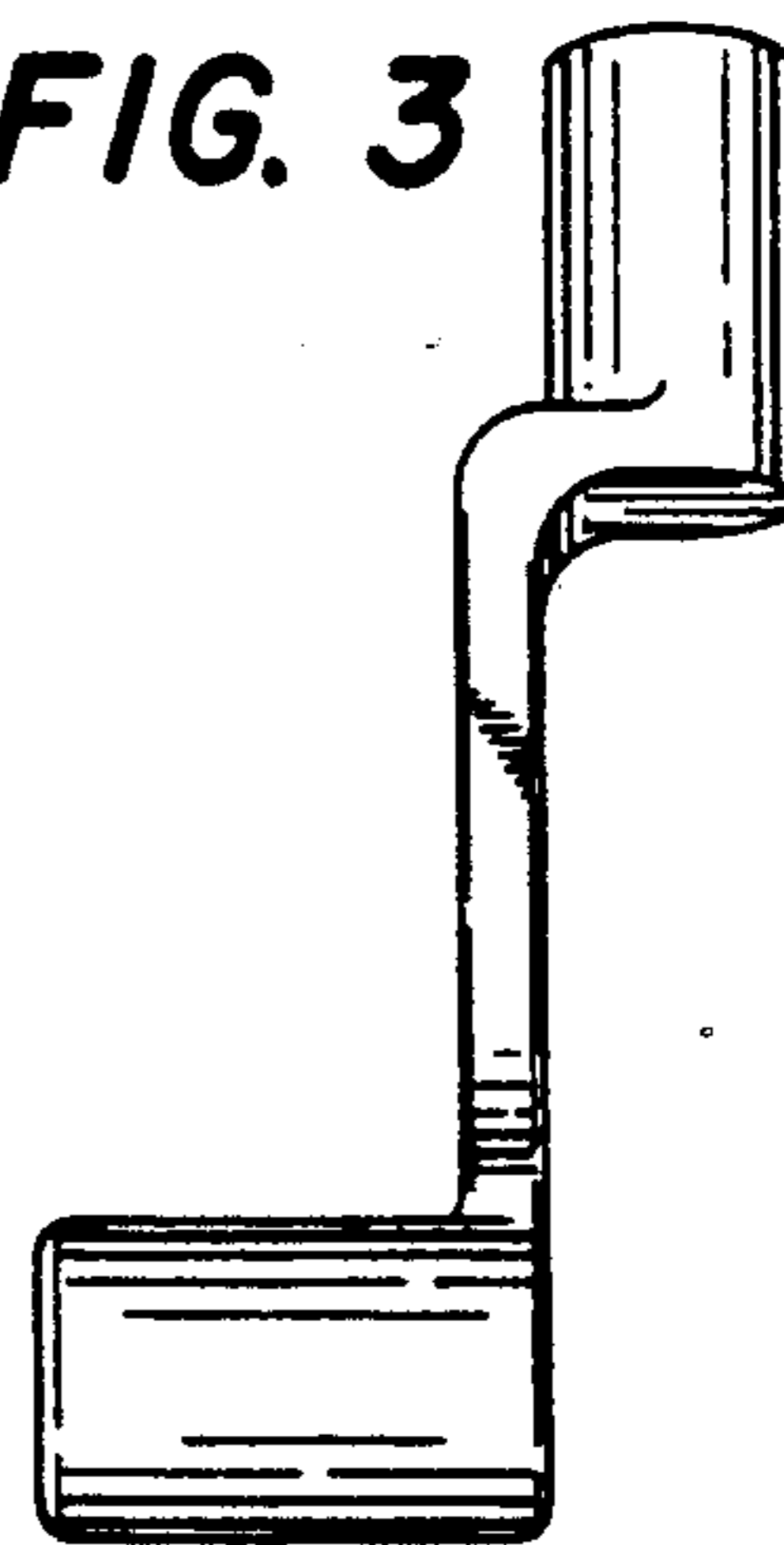
**FIG. 1**



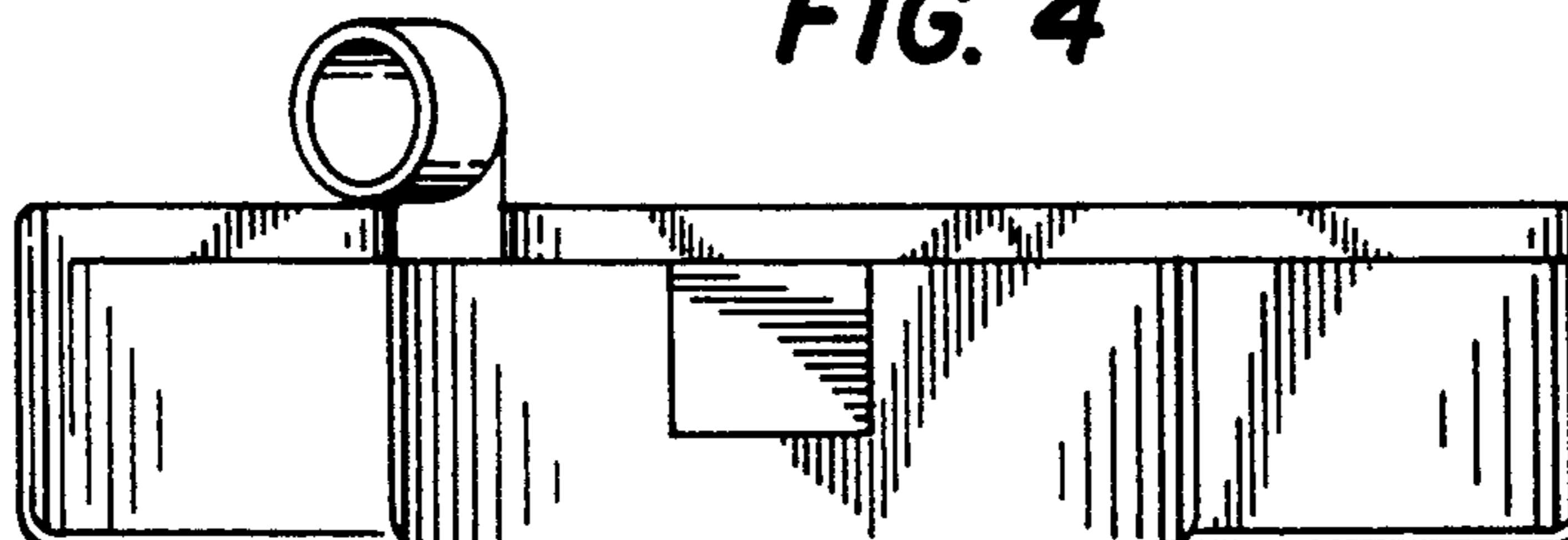
**FIG. 2**



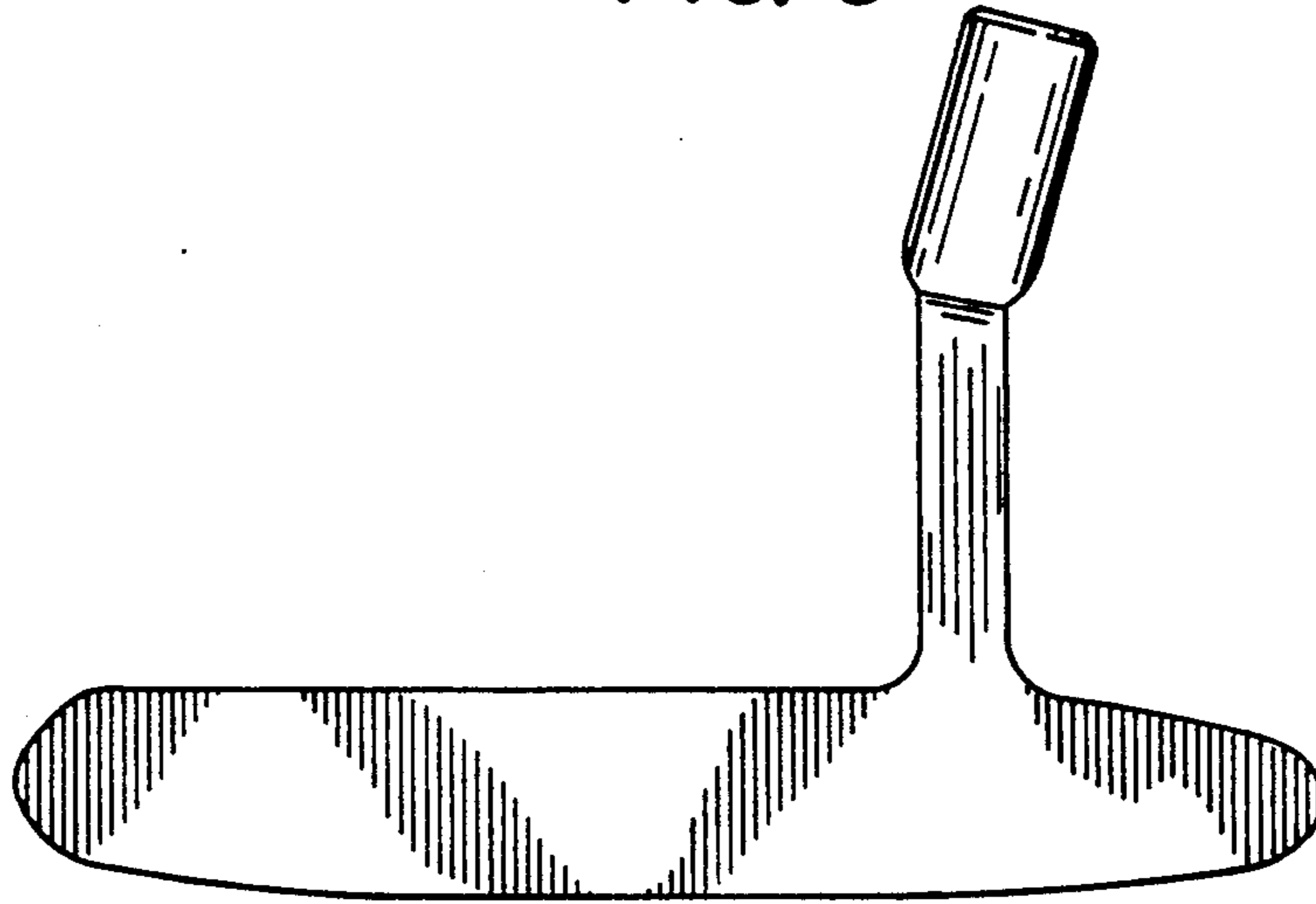
**FIG. 3**



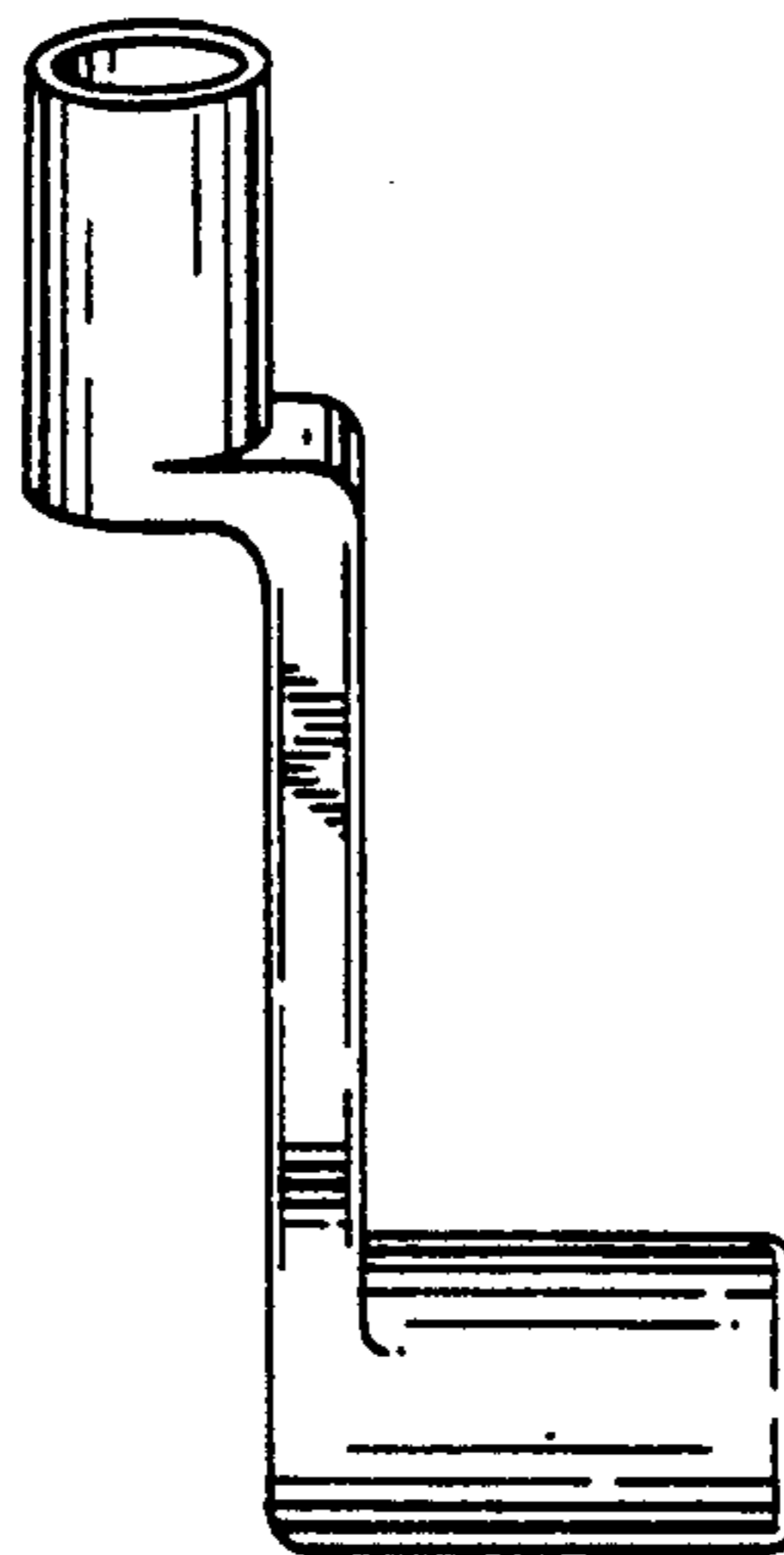
**FIG. 4**



**FIG. 5**



**FIG. 6**



**FIG. 7**

