

[54] PUTTER GOLF CLUB HEAD

[76] Inventor: Anthony J. Antonious, 205 E. Joppa Rd., Towson, Md. 21204

[**] Term: 14 Years

[21] Appl. No.: 336,303

[22] Filed: Apr. 11, 1989

[52] U.S. Cl. D21/219

[58] Field of Search D21/214-220;
273/164, 167-175

[56] References Cited

U.S. PATENT DOCUMENTS

D. 291,106 7/1987 Antonious D21/219

OTHER PUBLICATIONS

Golf Digest, Apr. 1977, p. 34, lower left, Lynx Master Putter.

Golf Digest, Dec. 1988, p. 96, top middle, item no. 4, putter.

Primary Examiner—Melvin B. Feifer
Attorney, Agent, or Firm—N. J. Aquilino

[57] CLAIM

The ornamental design for a putter golf club head, as shown and described.

DESCRIPTION

FIG. 1 is a rear perspective view of the putter golf club head showing my new design.

FIG. 2 is a rear elevational view thereof.

FIG. 3 is an end elevational view thereof.

FIG. 4 is a top plan view thereof.

FIG. 5 is a front elevational view thereof.

FIG. 6 is an end elevational view taken from the opposite side of FIG. 3.

FIG. 7 is a bottom view thereof.

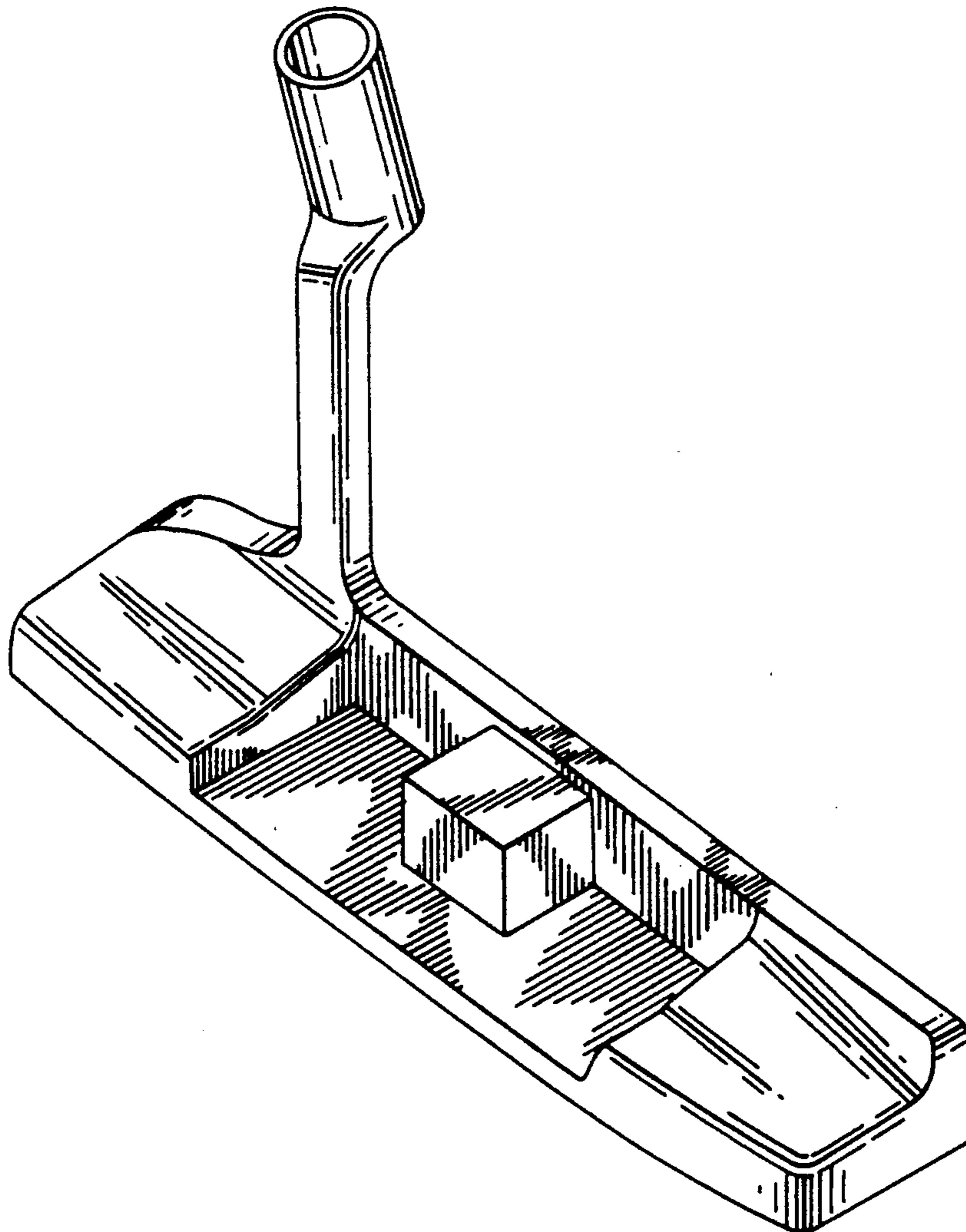


FIG. 1

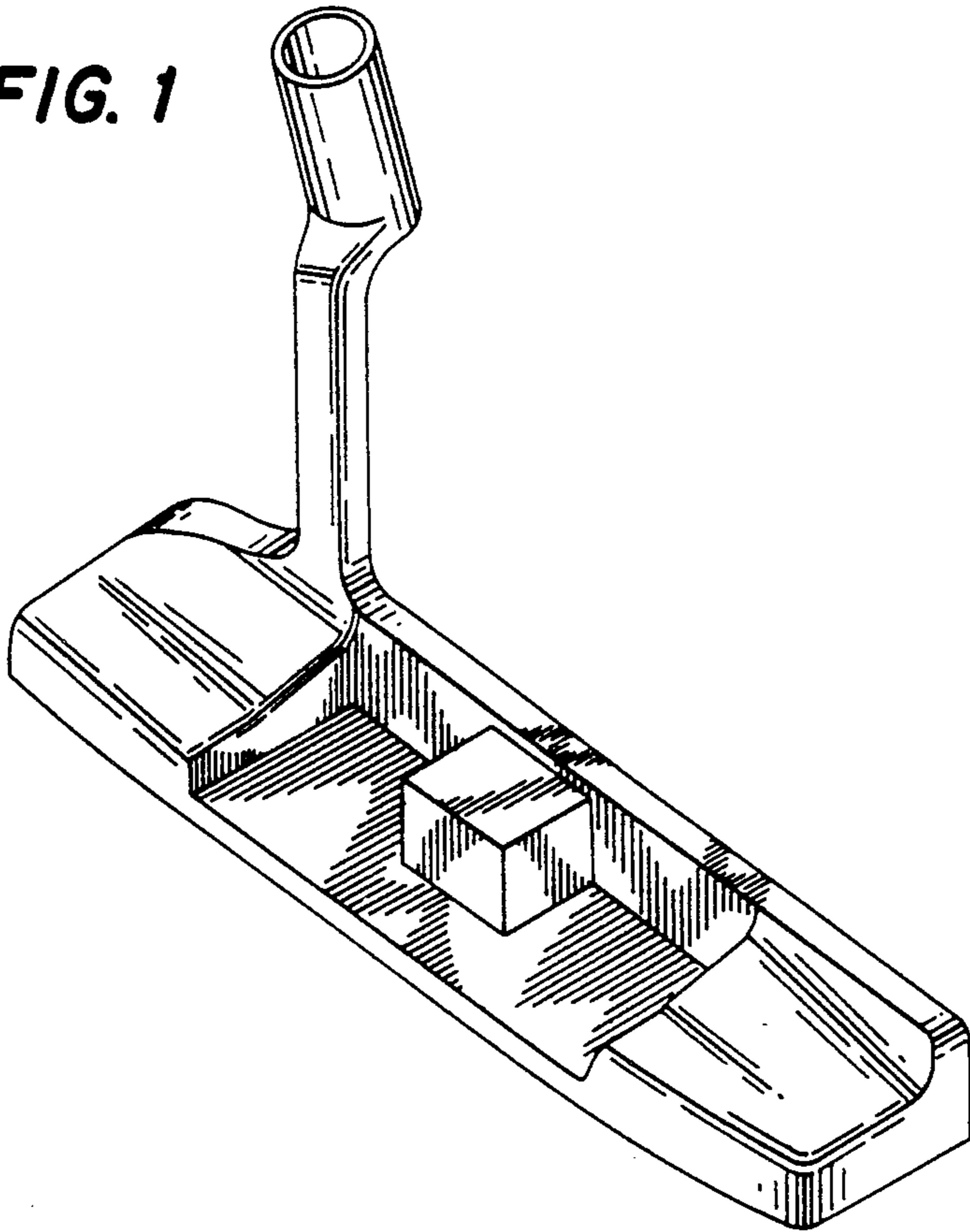


FIG. 2

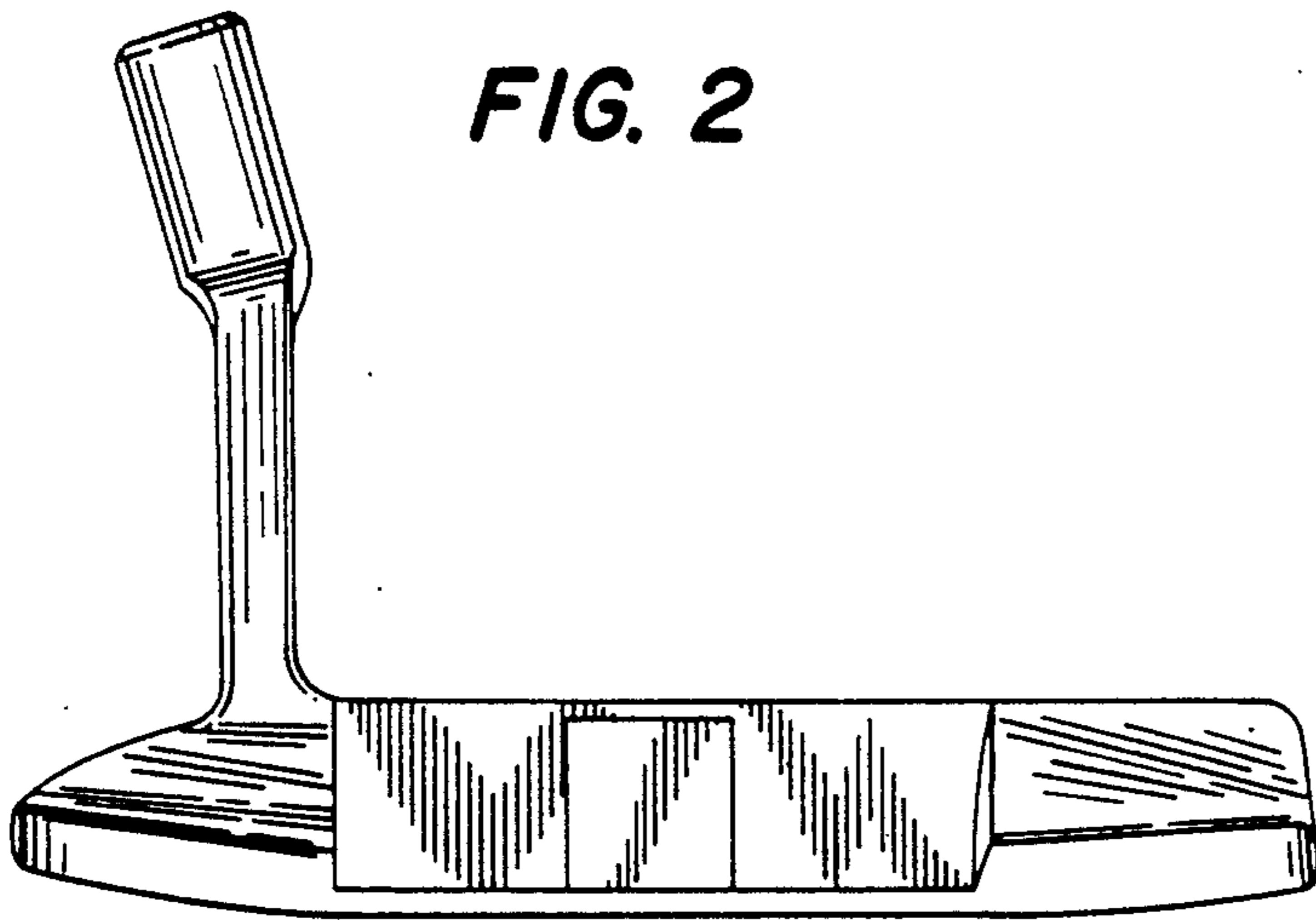


FIG. 3

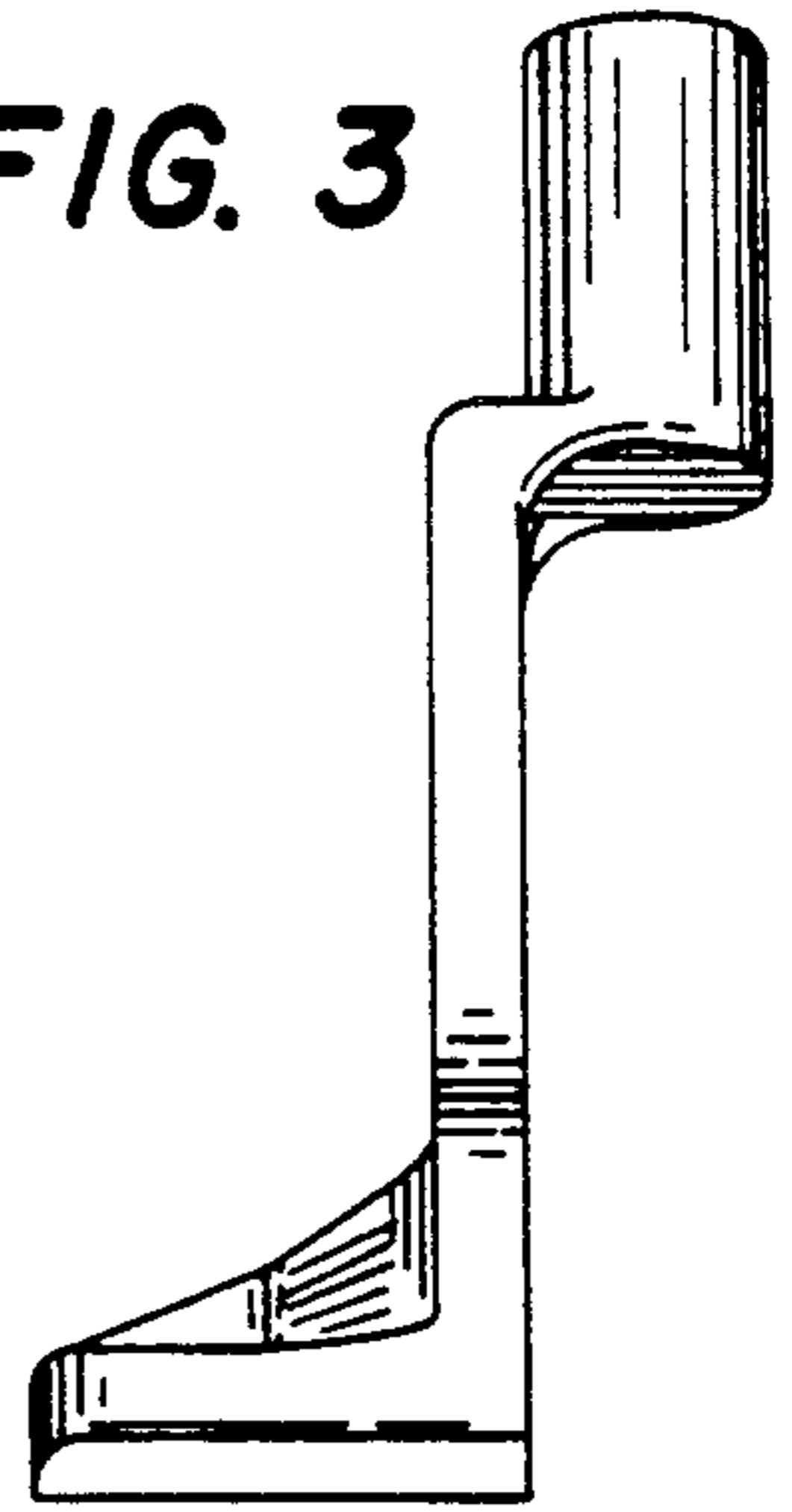


FIG. 4

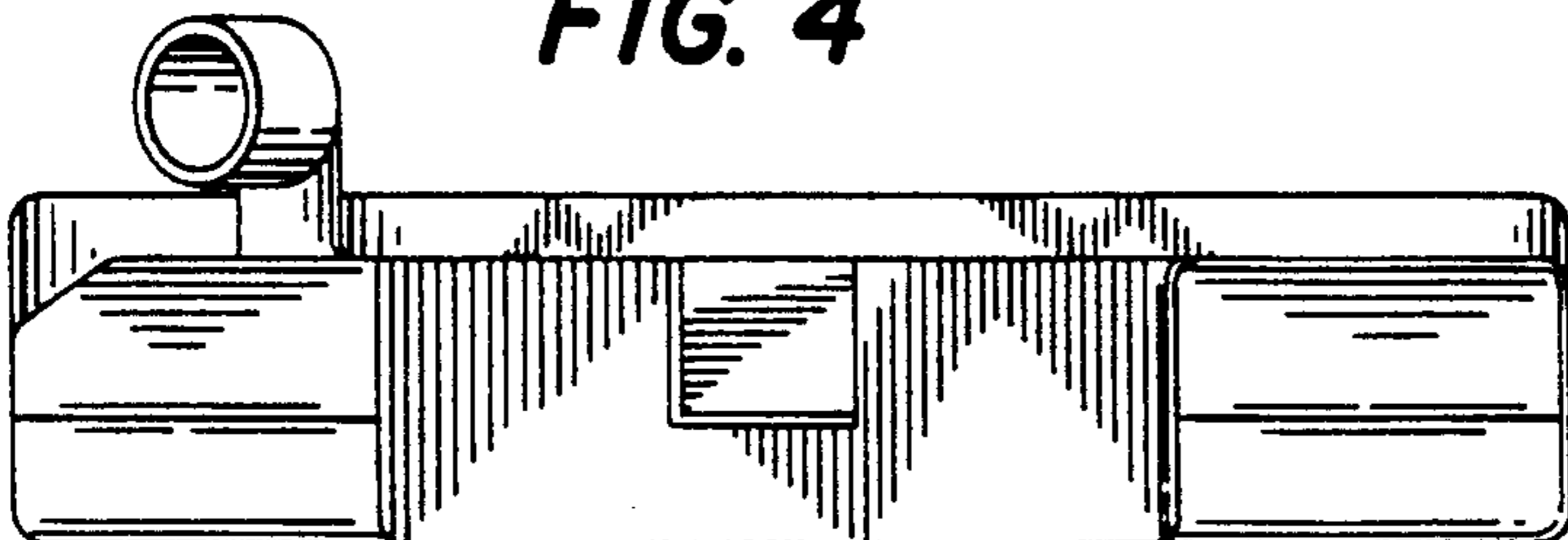


FIG. 5

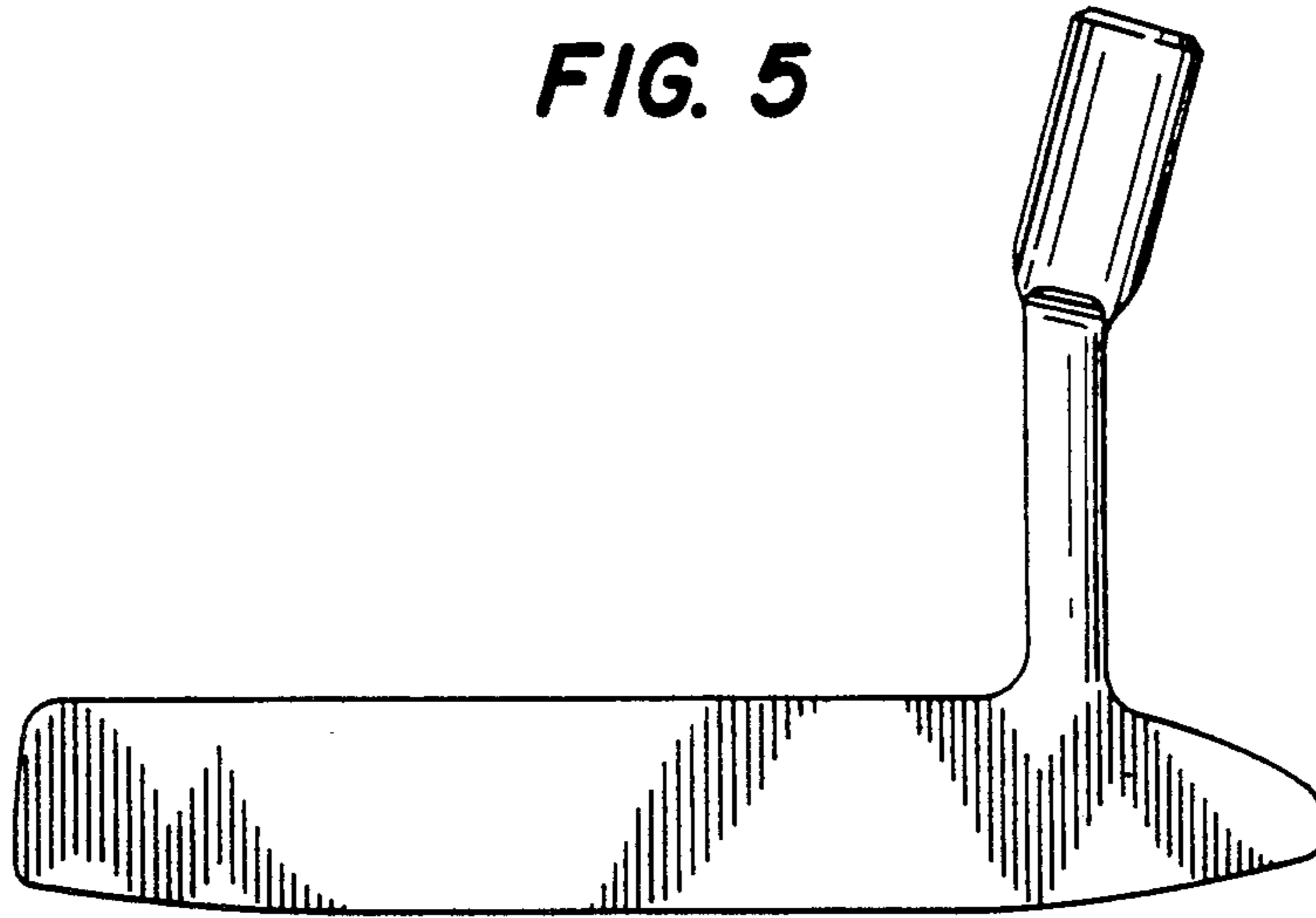


FIG. 6

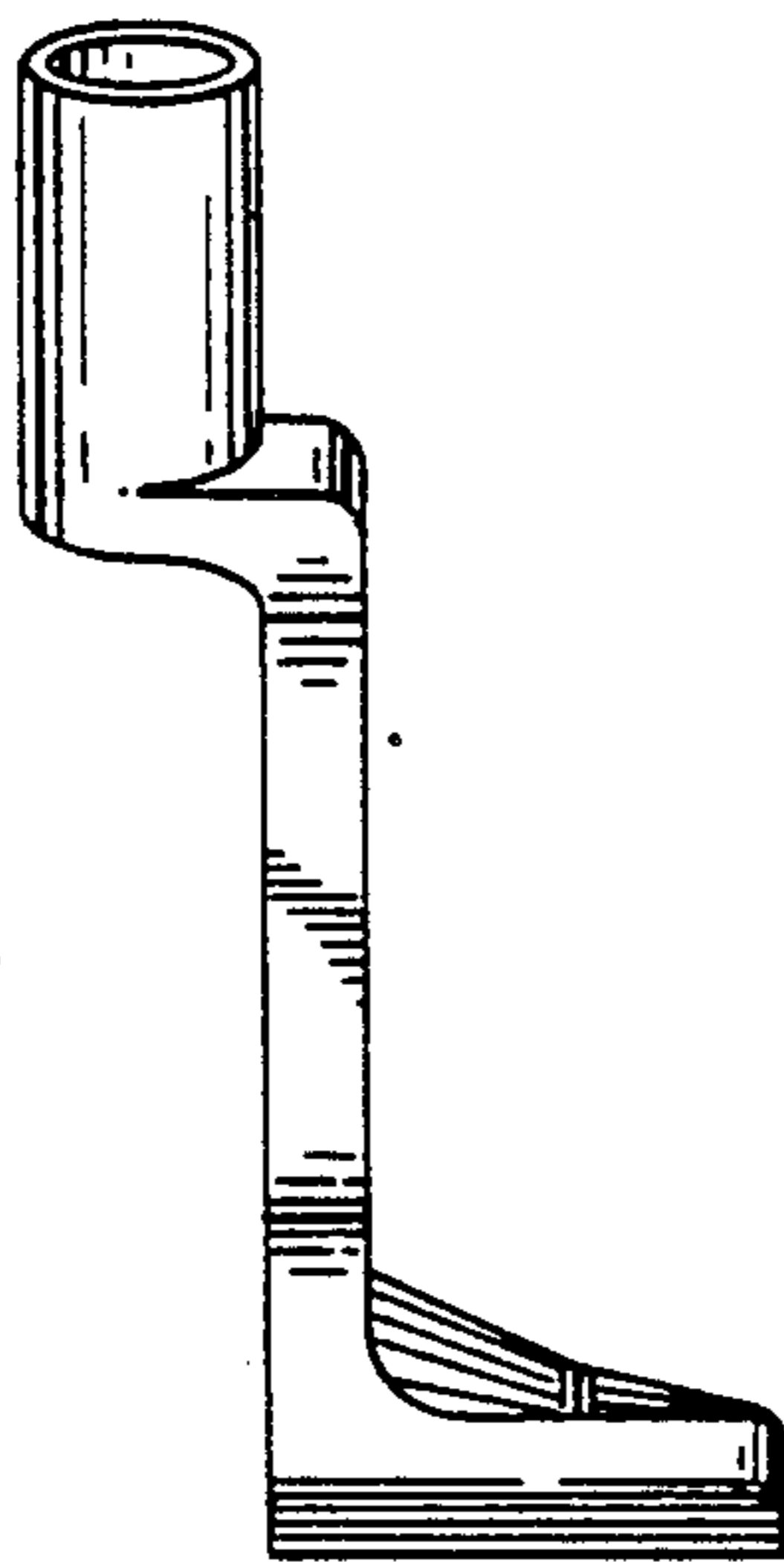


FIG. 7

