

[54] **PUTTER GOLF CLUB HEAD**

[76] **Inventor: Anthony J. Antonious, 205 E. Joppa Rd., Towson, Md. 21204**

[**] **Term: 14 Years**

[21] **Appl. No.: 336,302**

[22] **Filed: Apr. 11, 1989**

[52] **U.S. Cl. D21/219**

[58] **Field of Search D21/214-220;
273/164, 167-175**

[56] **References Cited**

U.S. PATENT DOCUMENTS

D. 291,106 7/1987 Antonious D21/219

OTHER PUBLICATIONS

Golf Digest, Apr. 1977, p. 34, lower left, Lynx Master Putter.

Golf Digest, Dec. 1988, p. 96, top middle, item No. 4, Putter.

*Primary Examiner—Melvin B. Feifer
Attorney, Agent, or Firm—N. J. Aquilino*

[57] **CLAIM**

The ornamental design for a putter golf club head, as shown and described.

DESCRIPTION

FIG. 1 is a rear perspective view of the putter golf club head showing my new design.

FIG. 2 is a rear elevational view thereof.

FIG. 3 is an end elevational view thereof.

FIG. 4 is a top plan view thereof.

FIG. 5 is a front elevational view thereof.

FIG. 6 is an end elevational view taken from the opposite side of FIG. 3.

FIG. 7 is a bottom view thereof.

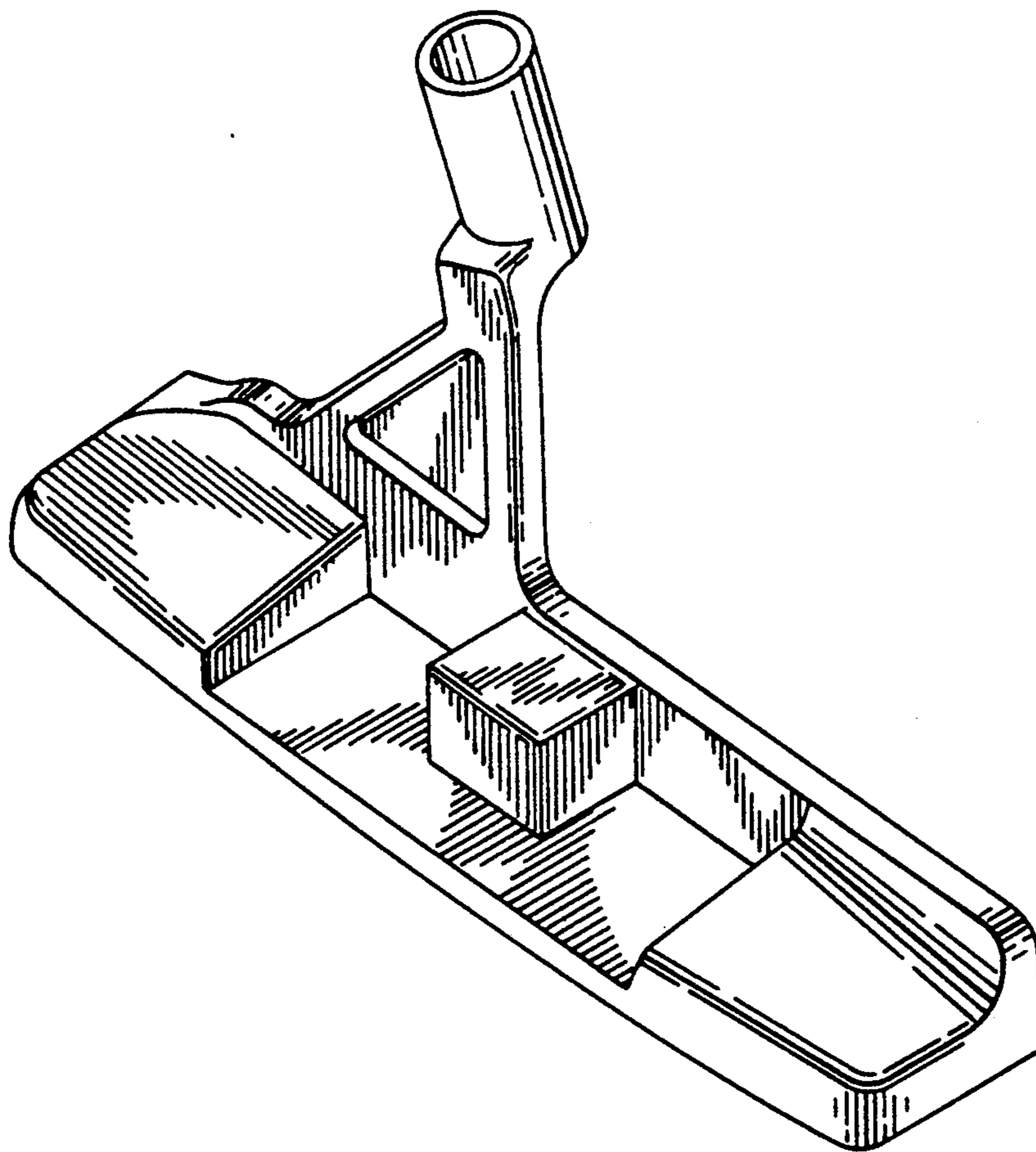


FIG. 1

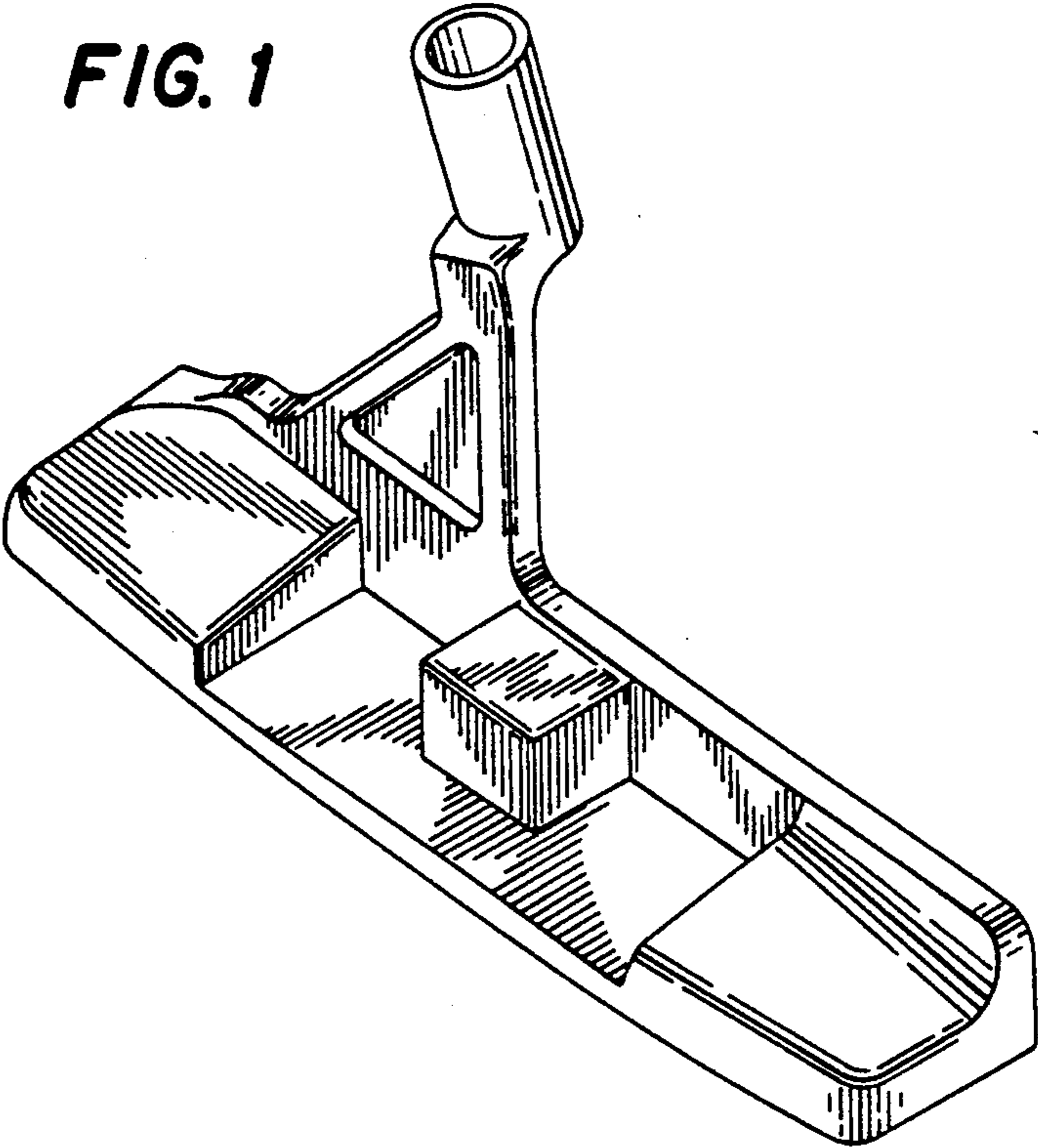


FIG. 2

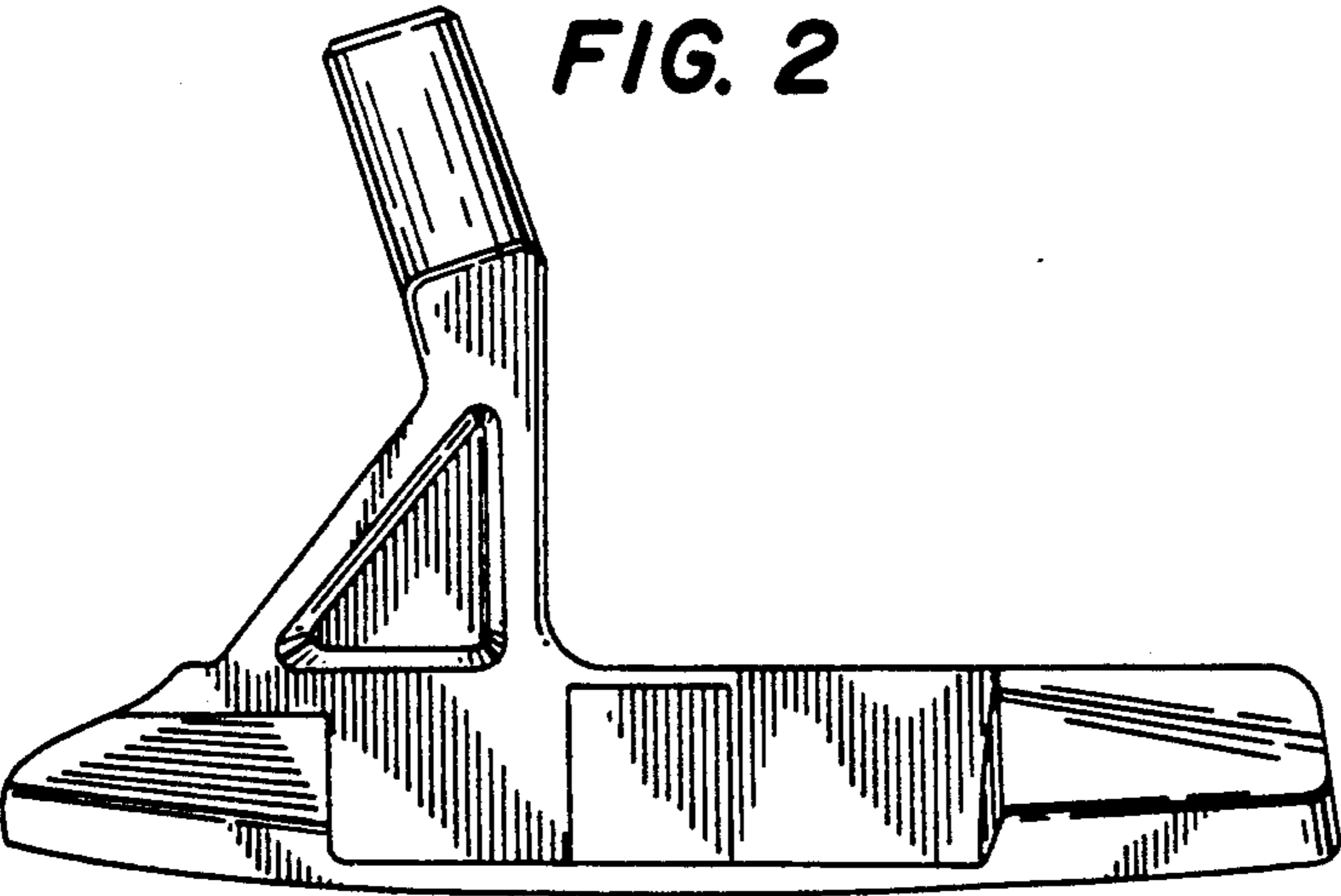


FIG. 3

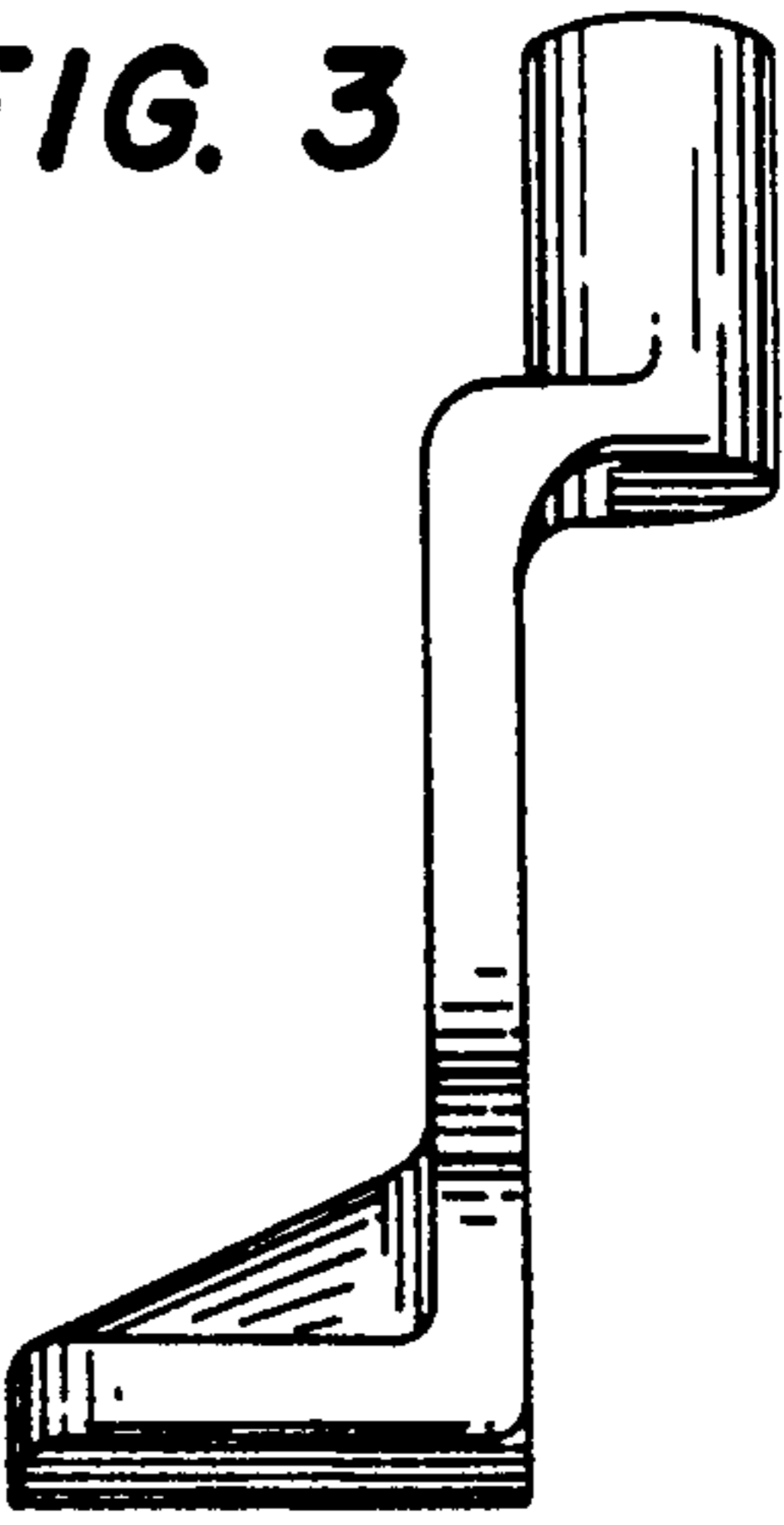


FIG. 4

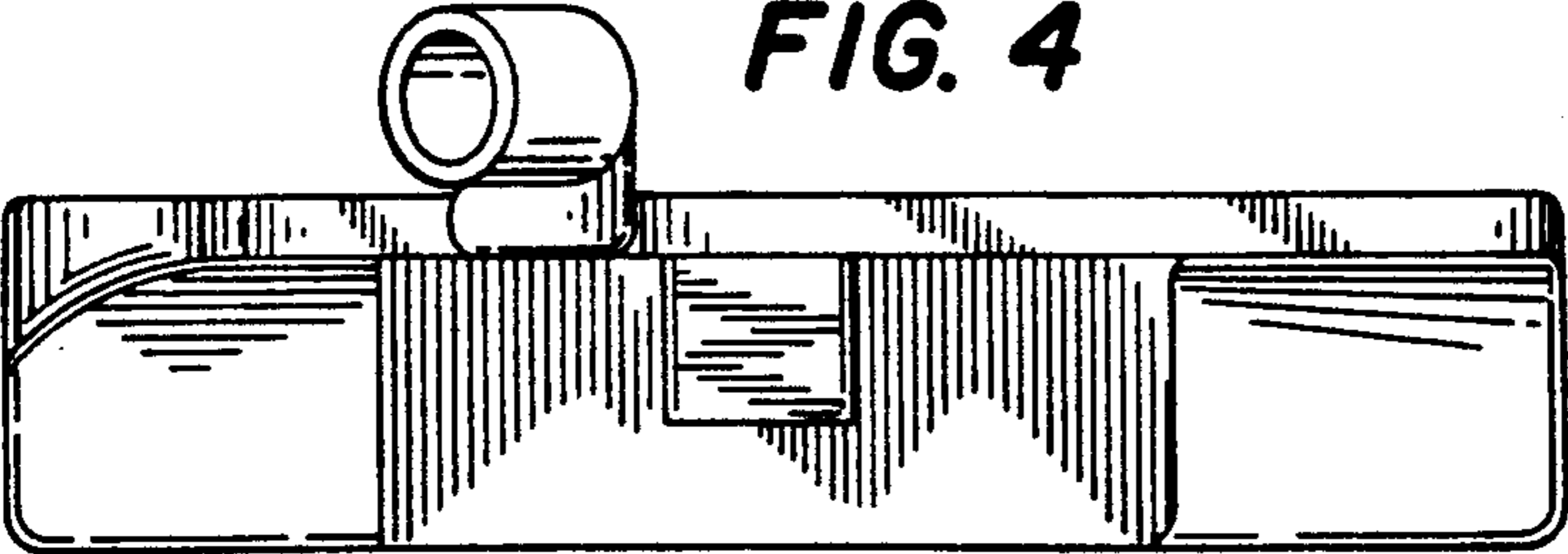


FIG. 5

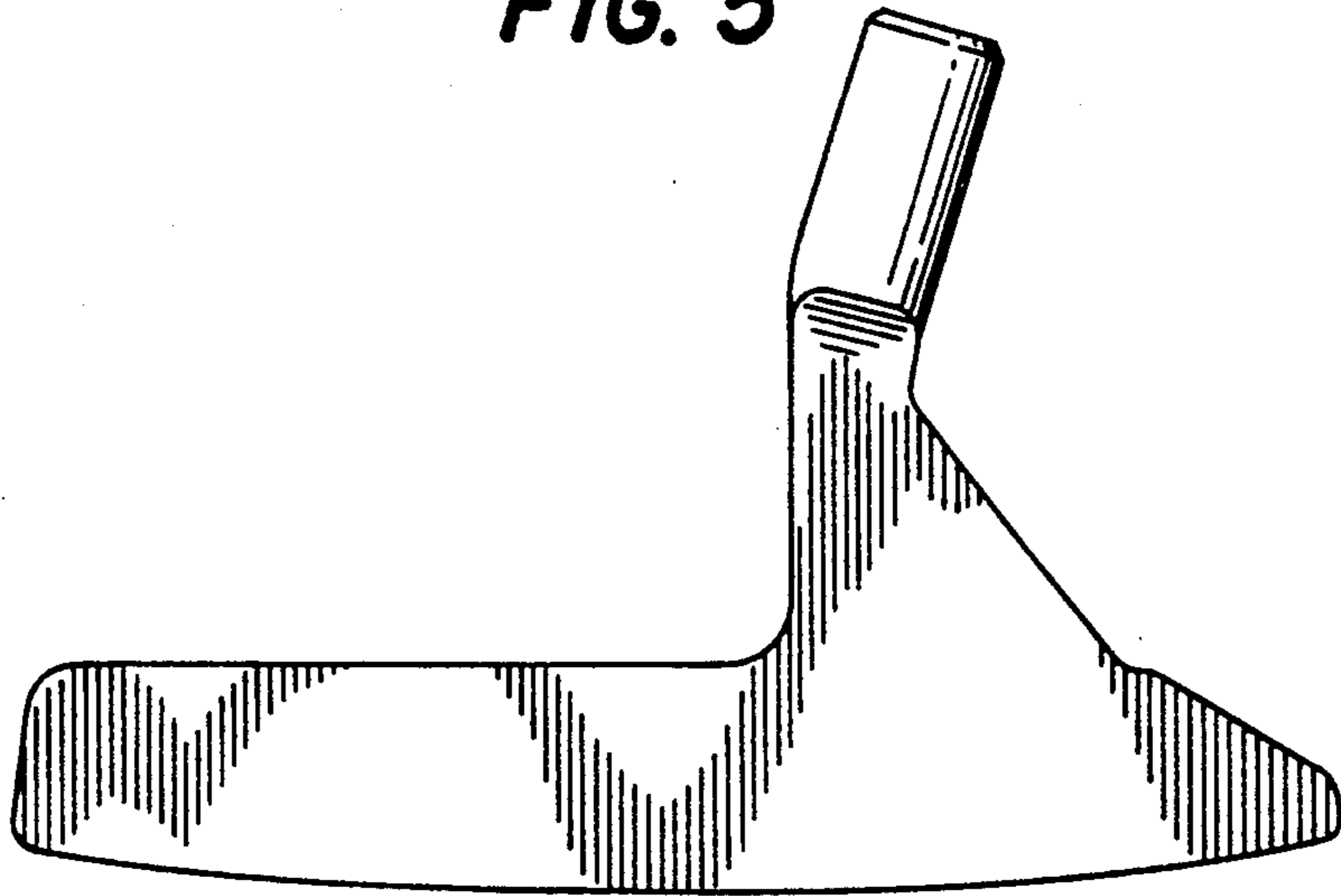


FIG. 6

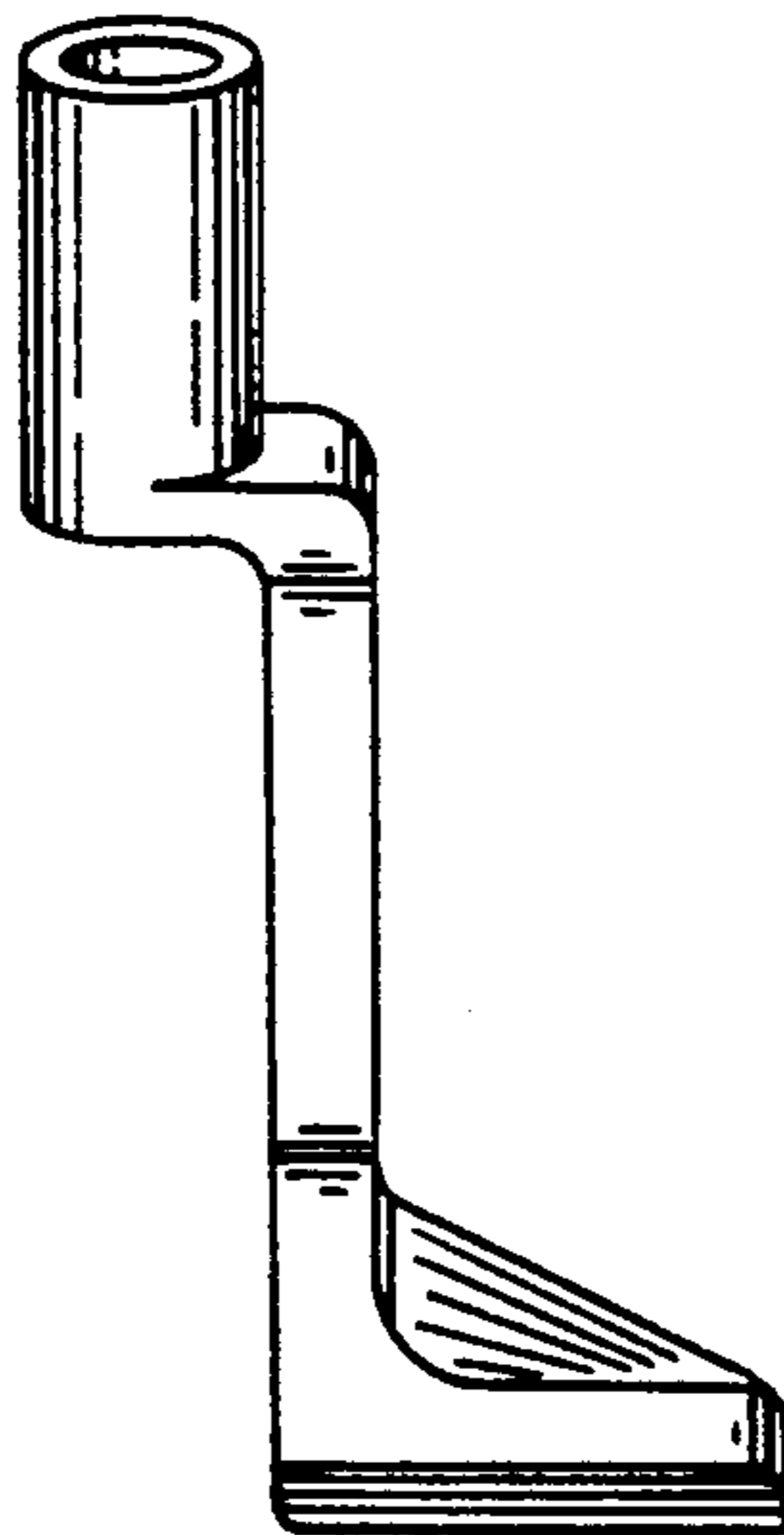


FIG. 7

