

[54] **PUTTER GOLF CLUB HEAD**

[76] Inventor: **Anthony J. Antonious**, 205 E. Joppa Rd., Towson, Md. 21204

[**] Term: **14 Years**

[21] Appl. No.: **336,293**

[22] Filed: **Apr. 11, 1989**

[52] U.S. Cl. **D21/219**

[58] Field of Search **D21/214-220;**
273/164, 167-175

[56] **References Cited**

U.S. PATENT DOCUMENTS

D. 202,715 11/1965 Solheim D21/219
D. 305,055 12/1989 Antonious D21/217

OTHER PUBLICATIONS

Golf Digest, Apr. 1977, p. 34, bottom left, Lynx Master Putter.

Golf Digest, Dec. 1988, p. 97, upper left, item No. 7, Putter.

Primary Examiner—Melvin B. Feifer
Attorney, Agent, or Firm—N. J. Aquilino

[57] **CLAIM**

The ornamental design for a putter golf club head, as shown and described.

DESCRIPTION

FIG. 1 is a rear perspective view of the putter golf club head showing my new design.

FIG. 2 is a rear elevational view thereof.

FIG. 3 is an end elevational view thereof.

FIG. 4 is a top plan view thereof.

FIG. 5 is a front elevational view thereof.

FIG. 6 is an end elevational view taken from the opposite side of FIG. 3.

FIG. 7 is a bottom view thereof.

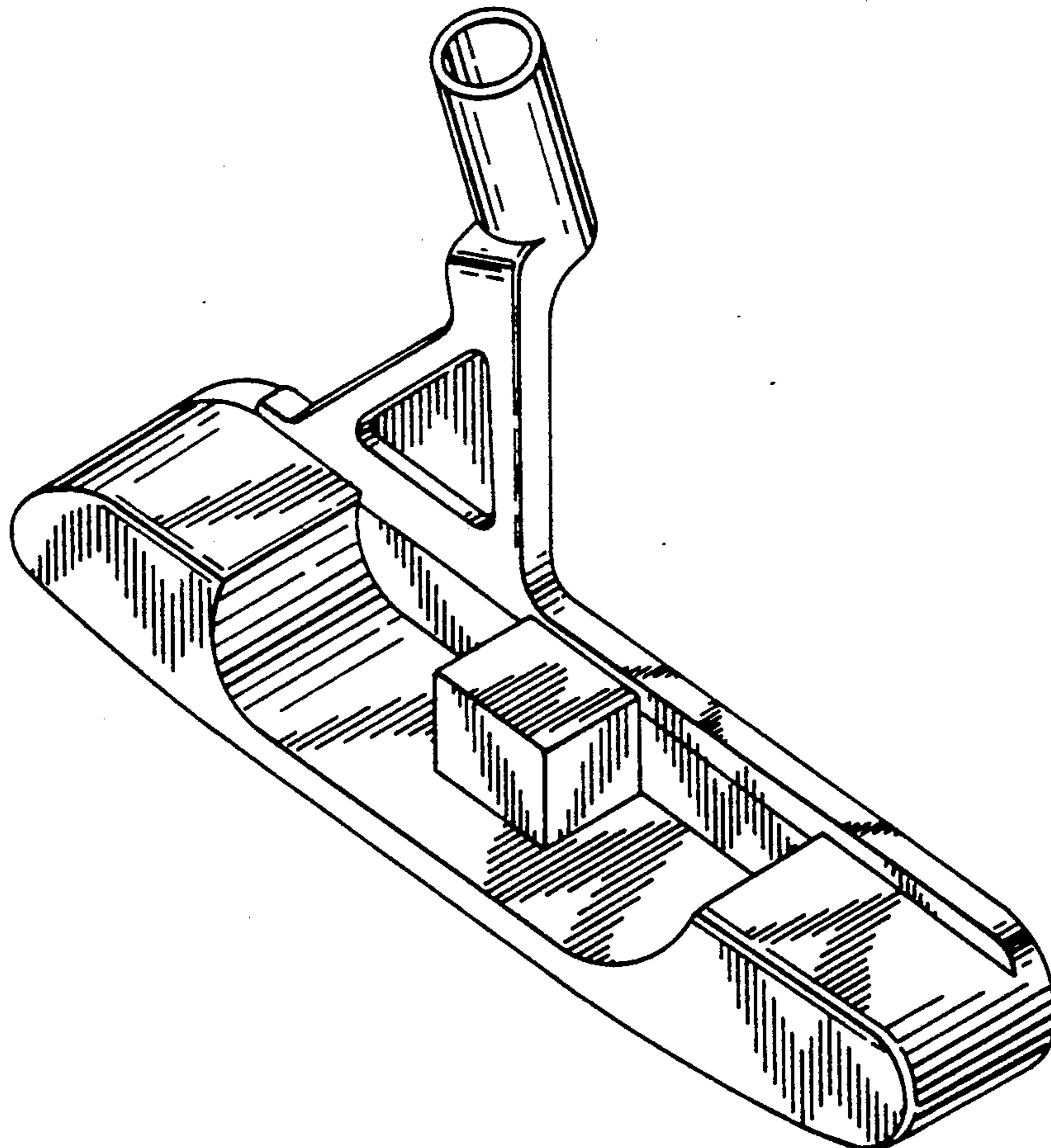


FIG. 1

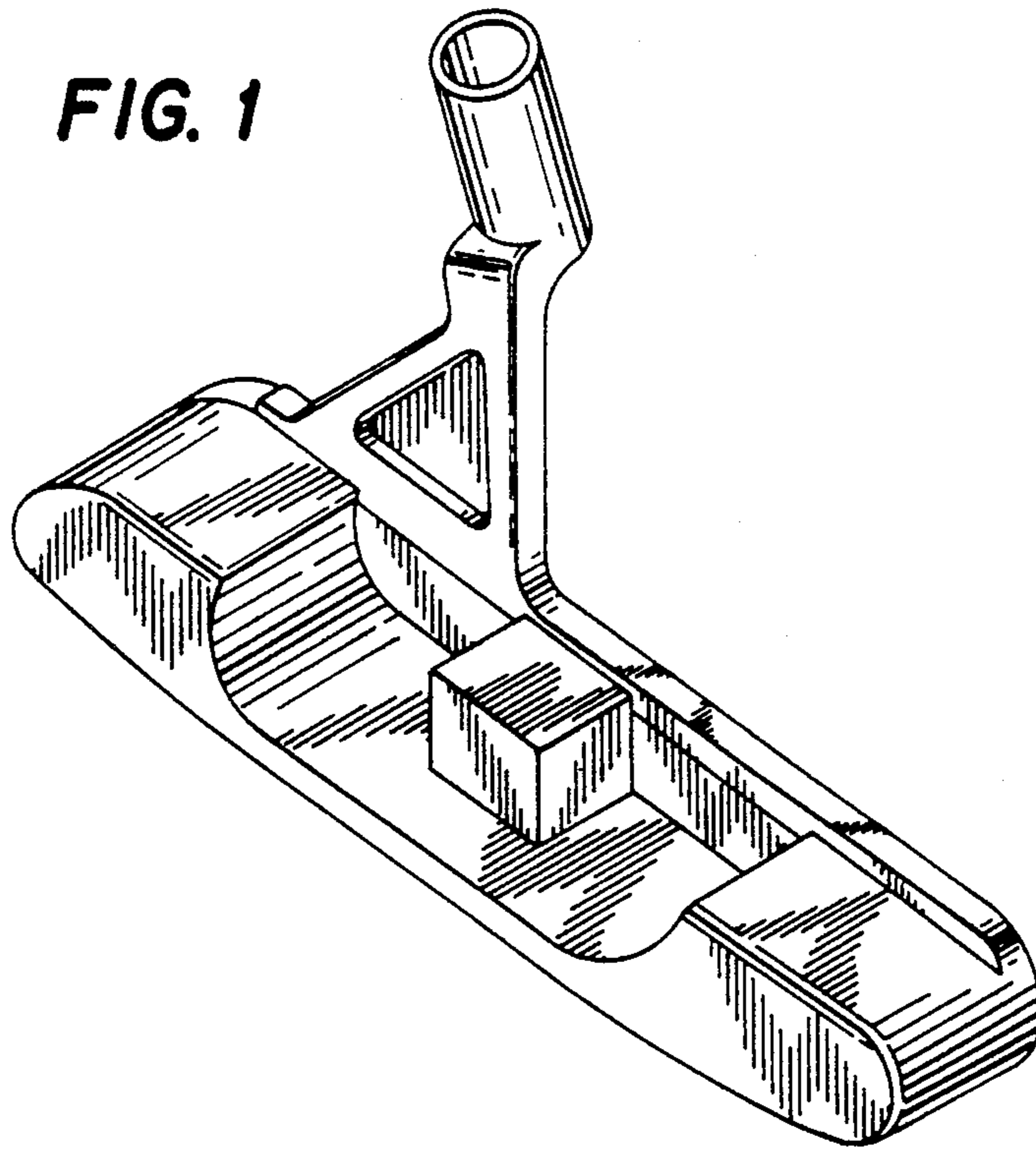


FIG. 2

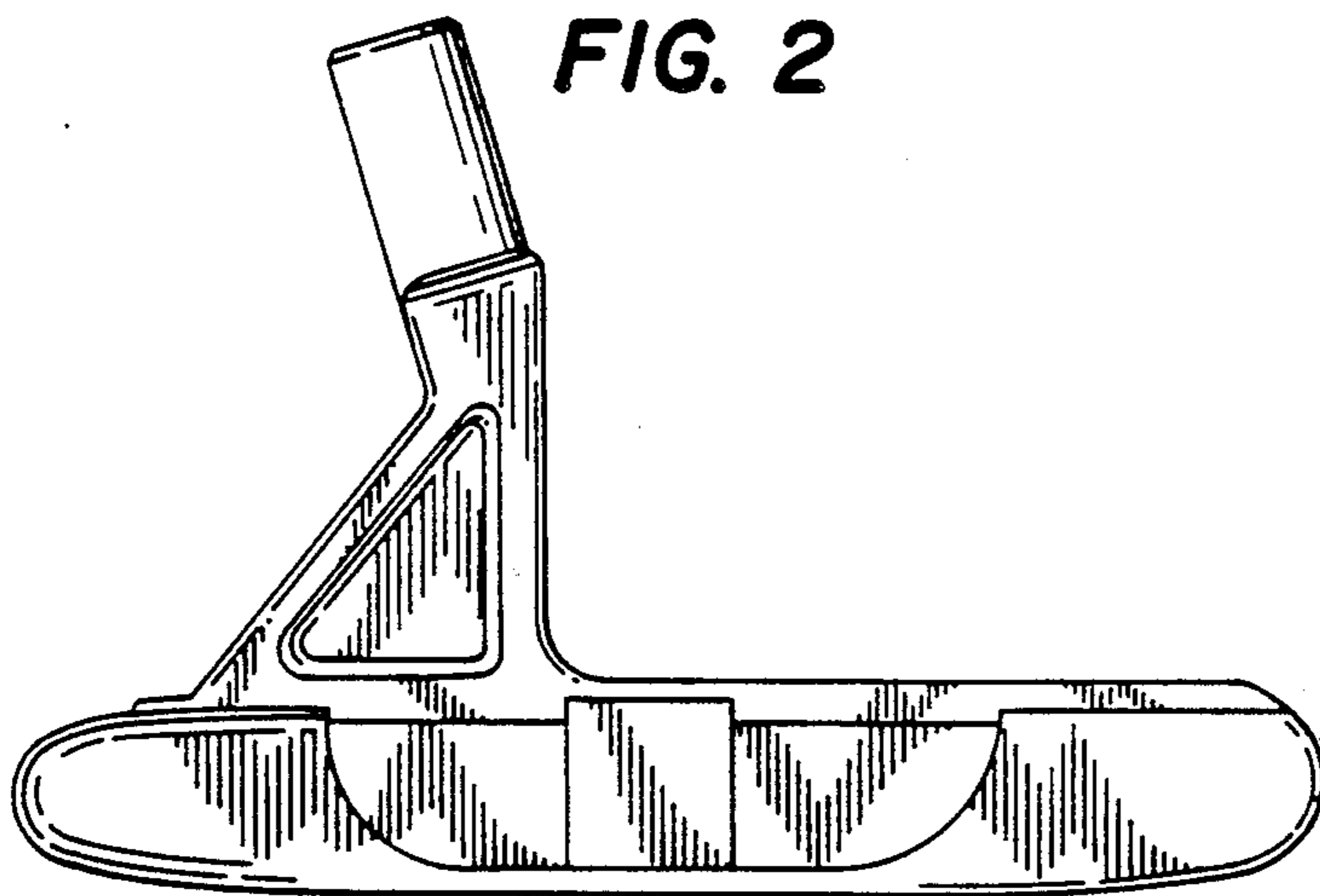


FIG. 3

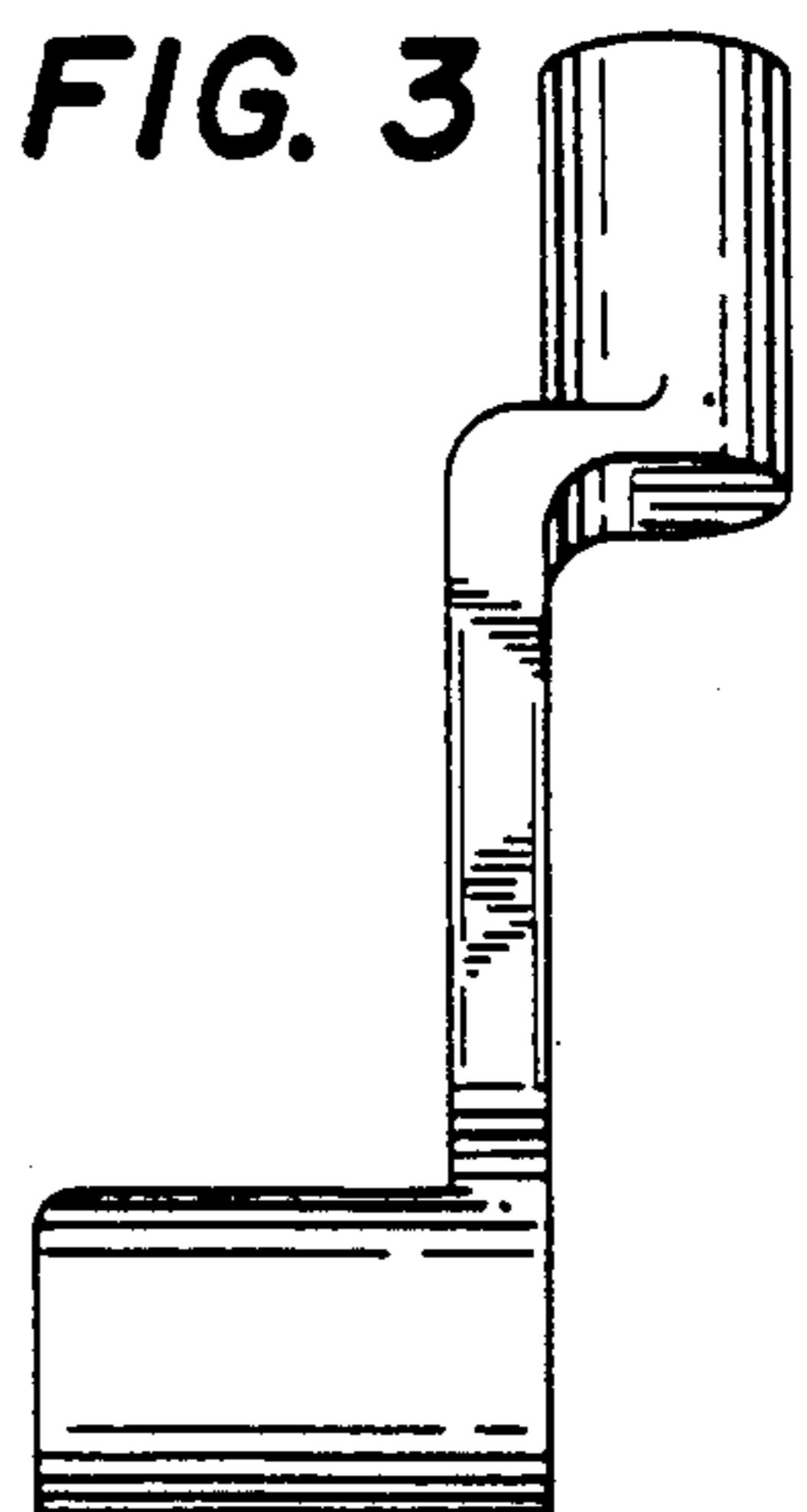


FIG. 4

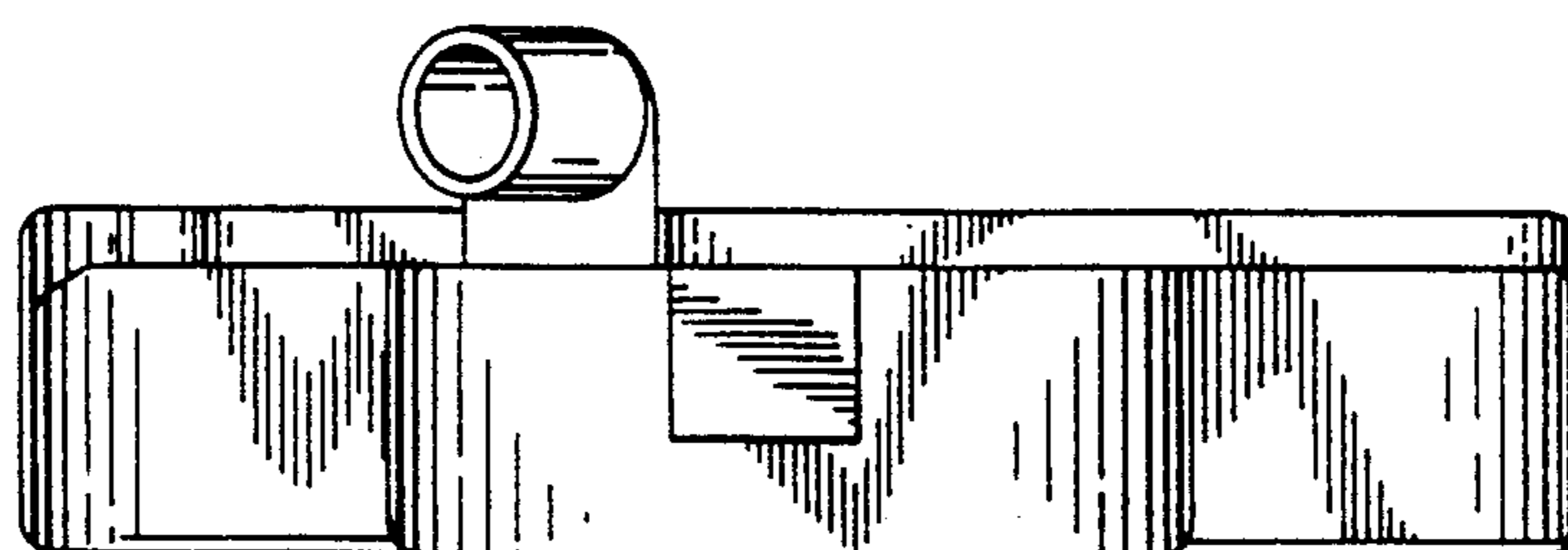


FIG. 5

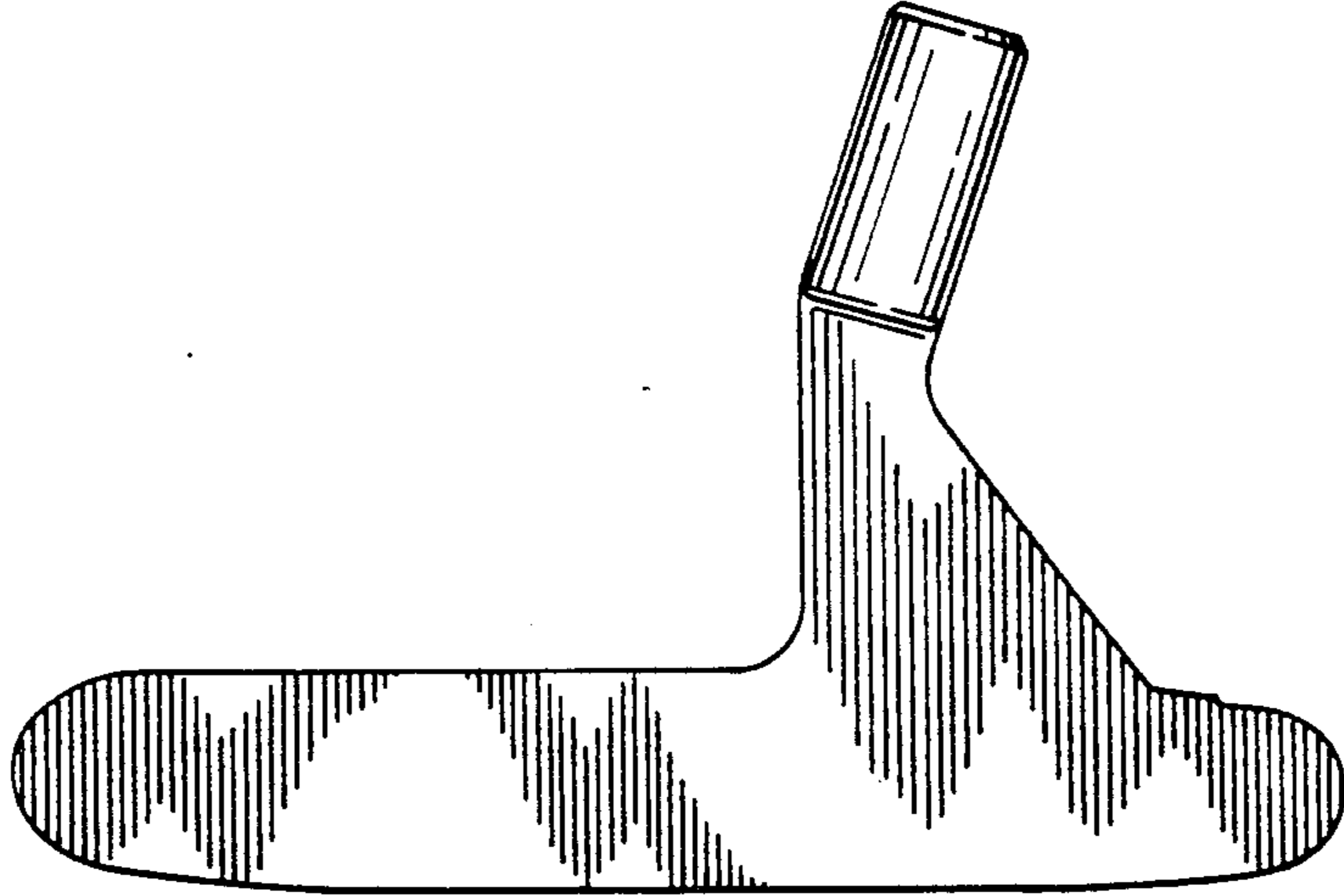


FIG. 6

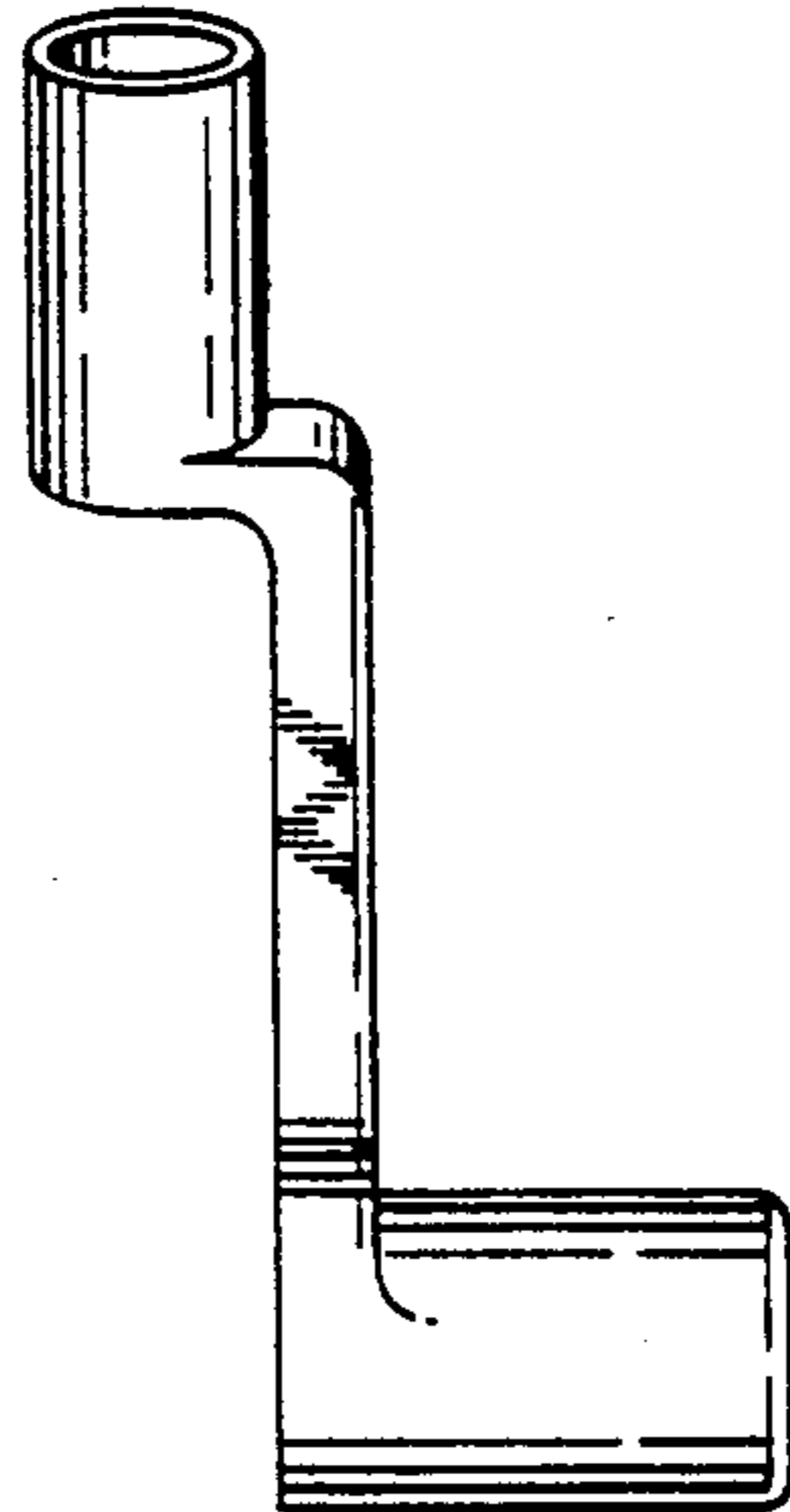


FIG. 7

