

[54] TOY VEHICLE

[75] Inventors: Takehiko Takahashi; Yoshiyasu Ishii; Taira Hanashima; Kazunobu Koike, all of Tokyo, Japan

[73] Assignee: Combi Co., Ltd., Tokyo, Japan

[**] Term: 14 Years

[21] Appl. No.: 384,521

[22] Filed: Jul. 25, 1989

[30] Foreign Application Priority Data

Feb. 7, 1989 [JP] Japan 1-4021

[52] U.S. Cl. D21/76; D21/78

[58] Field of Search D21/71, 76, 78, 136, D21/137; 280/87.021, 87.01, 47.34, 47.371, 296, 177

[56] References Cited

U.S. PATENT DOCUMENTS

- D. 252,829 9/1979 Nakao D21/78
- D. 262,385 12/1981 Nakao et al. D21/78
- D. 264,234 5/1982 Nakao et al. D21/78
- D. 282,184 1/1986 Nakao et al. D21/78

- D. 293,329 12/1987 Nakao et al. D21/78
- D. 294,153 2/1988 Nakao et al. D21/78
- D. 303,273 9/1989 Takahashi et al. D21/76
- 4,261,588 4/1981 Kassai 280/87.021

OTHER PUBLICATIONS

Coleco Catalog, p. 42, bottom of page, Toy Fair 1987. Coleco Catalog, p. 43, top, middle and bottom of page, Toy Fair 1987.

Primary Examiner—Charles A. Rademaker
Assistant Examiner—R. Barkai
Attorney, Agent, or Firm—Sughrue, Mion, Zinn, Macpeak & Seas

[57] CLAIM

The ornamental design for a toy vehicle, as shown.

DESCRIPTION

FIG. 1 is a front, top and right side perspective view of a toy vehicle showing our new design; FIG. 2 is a front elevational view thereof; FIG. 3 is a rear elevational view thereof; FIG. 4 is a top plan view thereof; FIG. 5 is a bottom plan view thereof; FIG. 6 is a left side elevational view thereof; and FIG. 7 is a right side elevational view thereof.

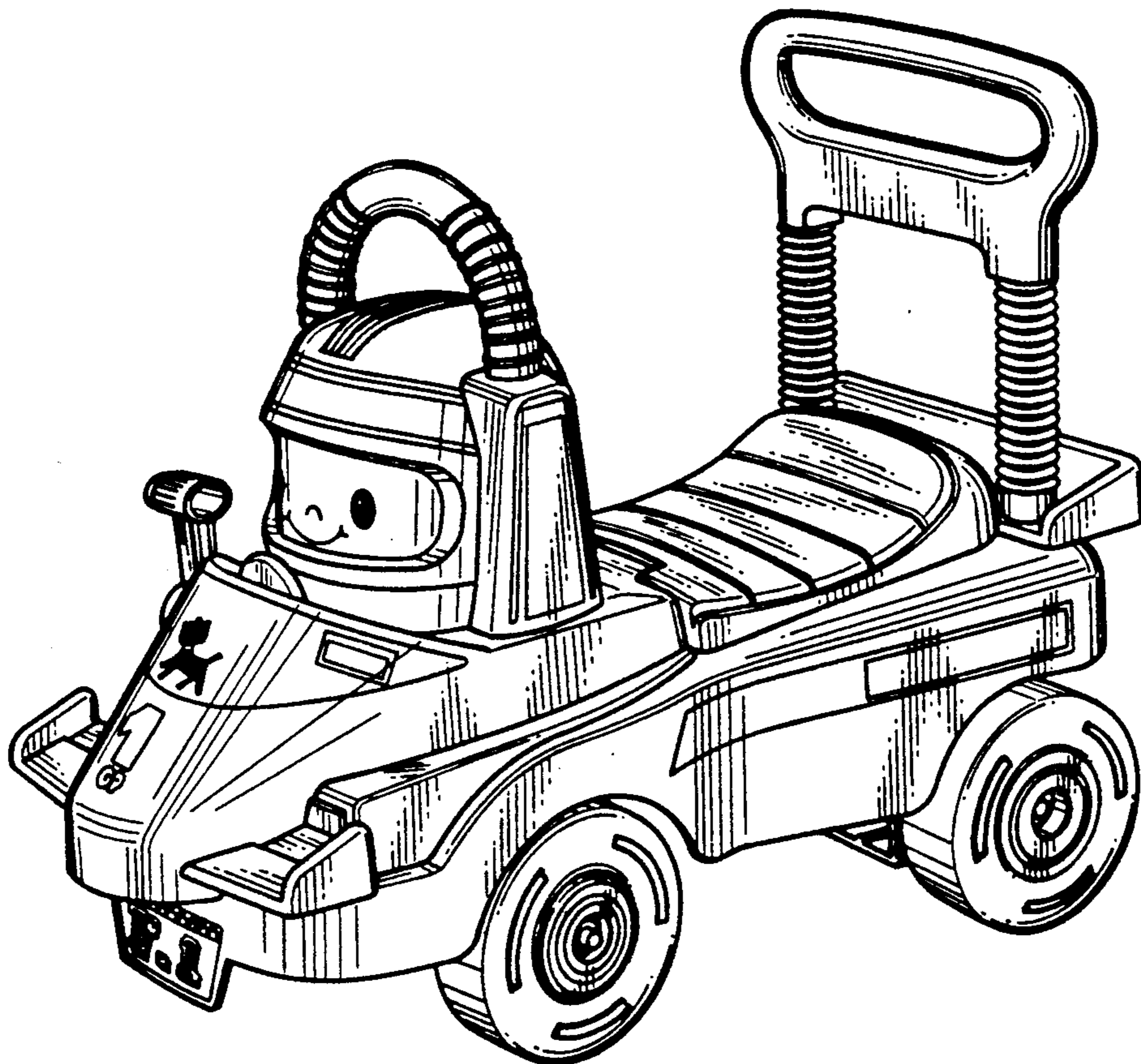


Fig. 1

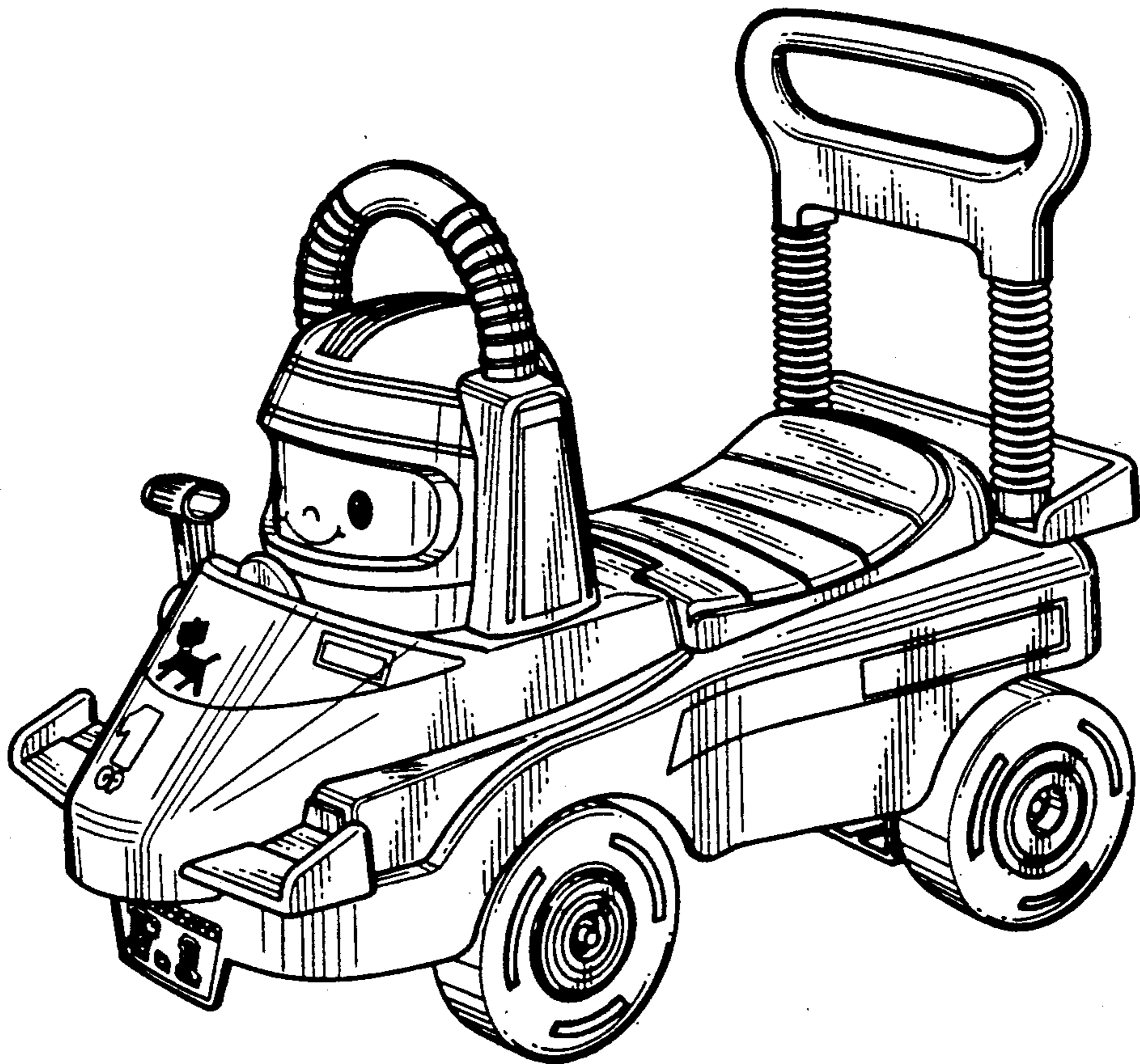


Fig. 3

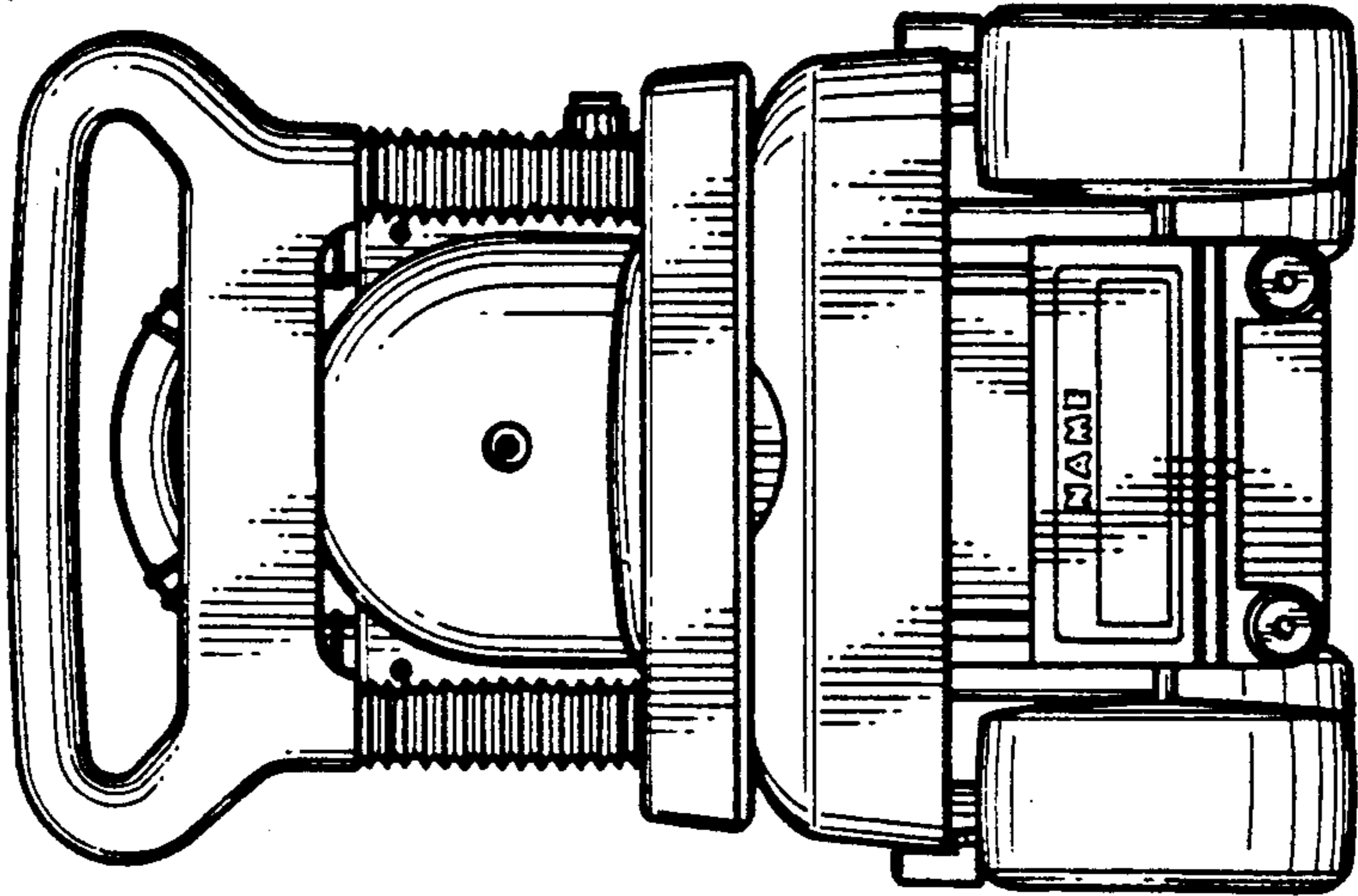


Fig. 2

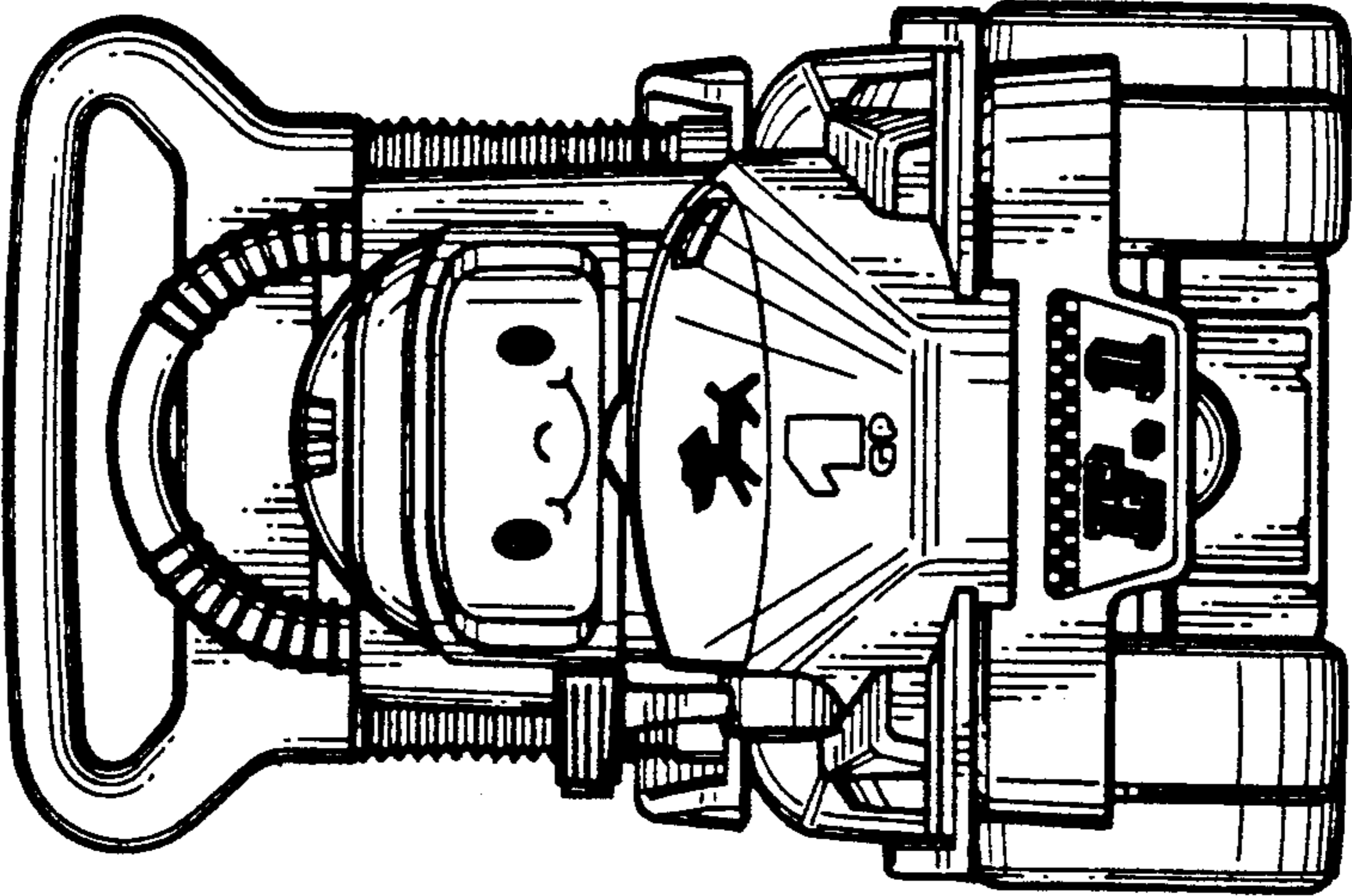


Fig. 5

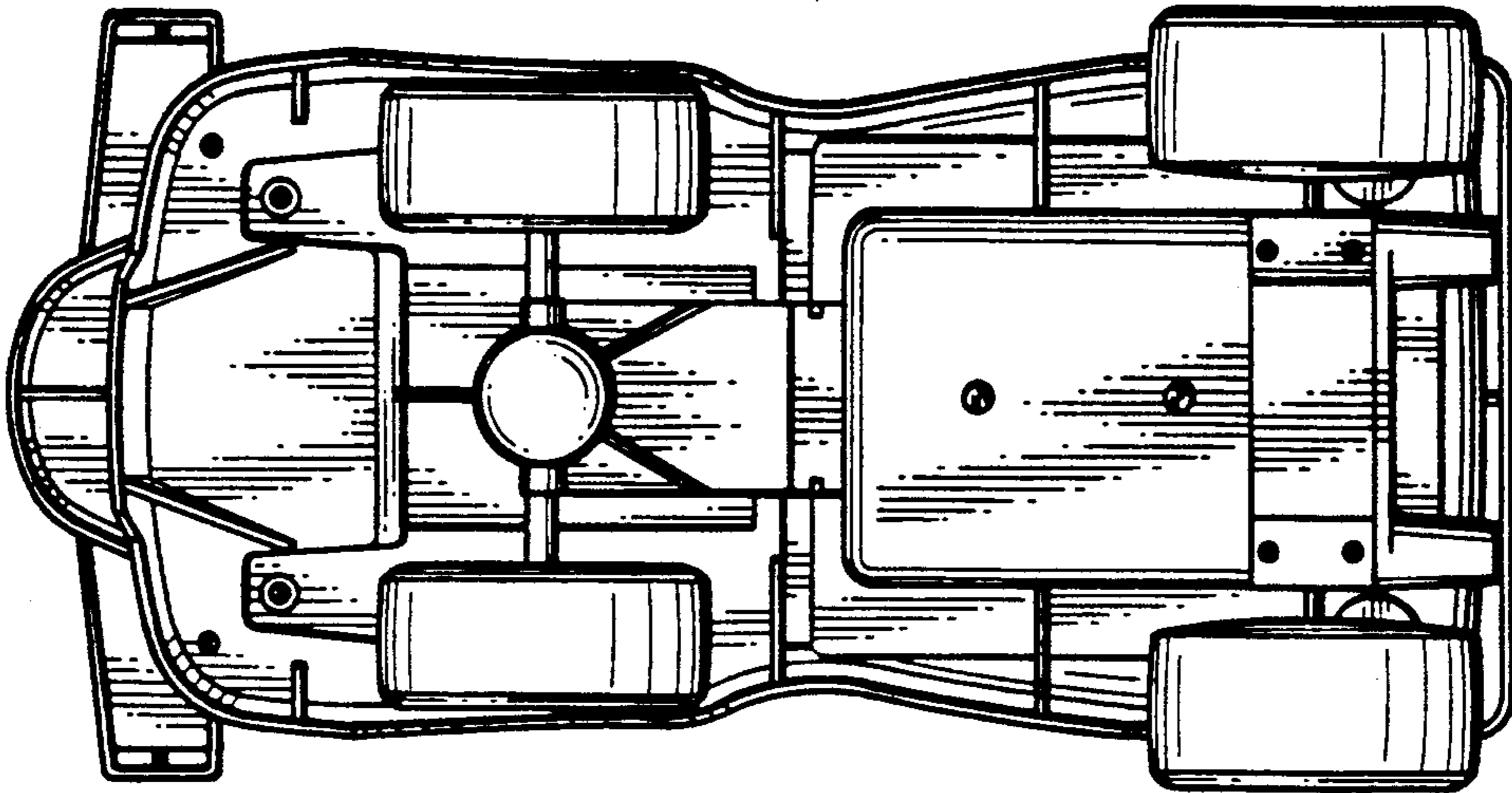


Fig. 4

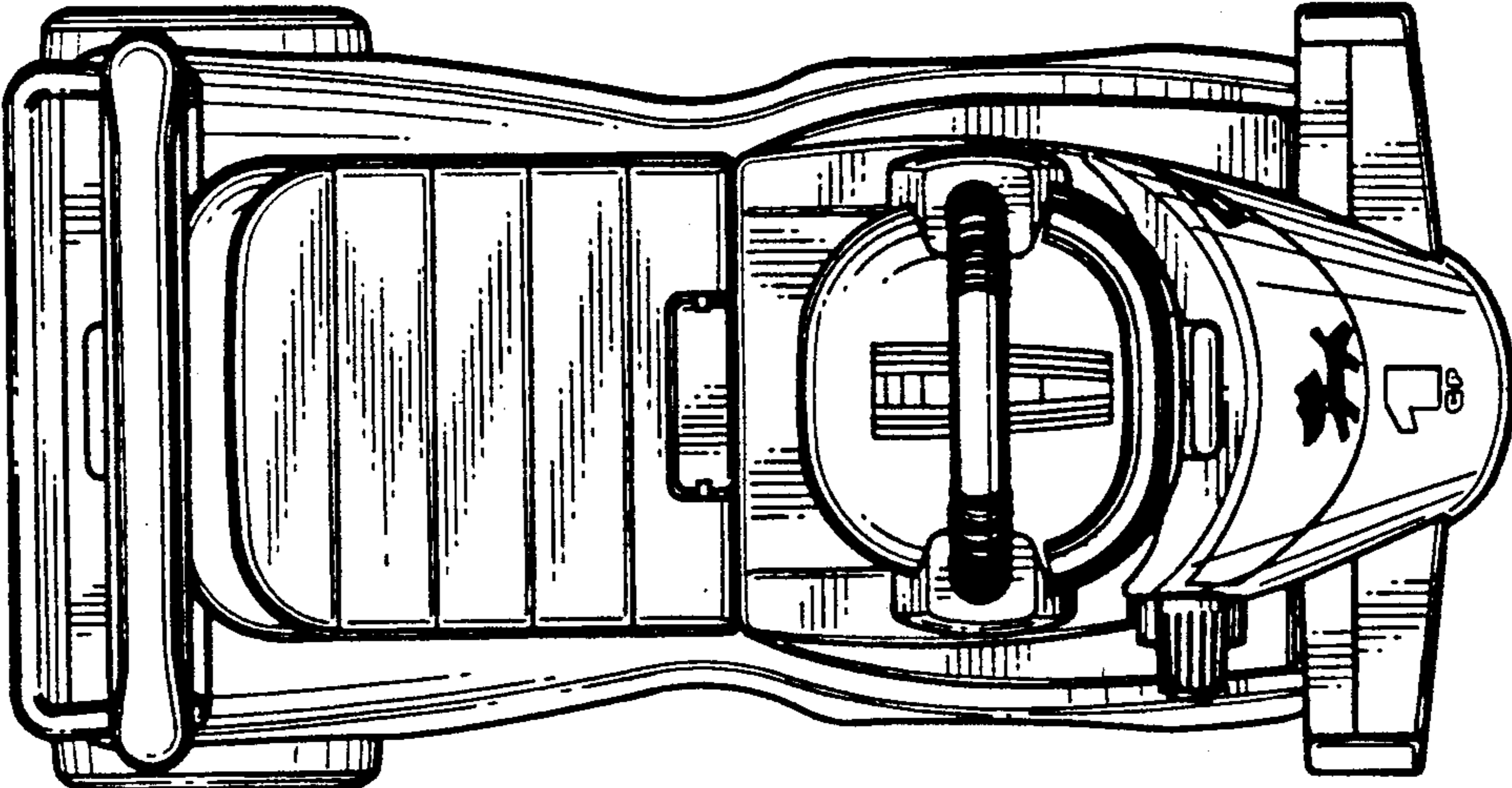


Fig. 6

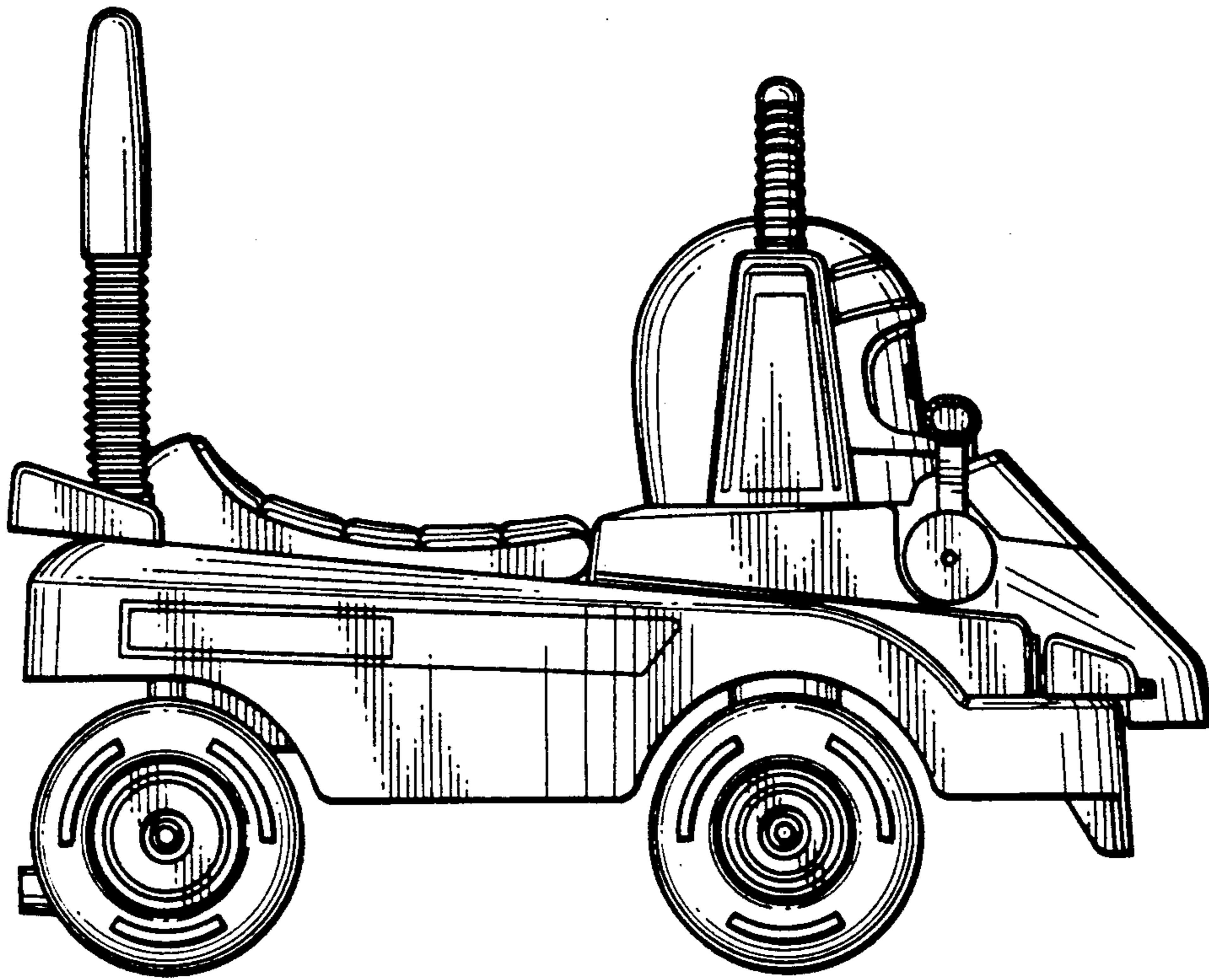


Fig. 7

