

[54] NOISE-MAKING TOY

[75] Inventor: Israel Erez, Tel Aviv, Israel

[73] Assignee: Alpha Plastics Products Ltd.,
Tel-Aviv, Israel

[**] Term: 14 Years

[21] Appl. No.: 397,563

[22] Filed: Aug. 23, 1989

[52] U.S. Cl. D21/64; D8/80;
D21/65

[58] Field of Search D21/59, 64, 65, 240;
D8/75, 80; D2/215; 446/397, 418, 419, 421;
D24/194, 195

[56] References Cited

U.S. PATENT DOCUMENTS

- D. 12,749 2/1882 Ritchell D21/64
- D. 23,169 4/1894 Duchemin D8/75
- D. 151,599 11/1948 Colm D21/65
- D. 202,932 8/1989 Chapin et al. .

D. 300,504 4/1989 Tsuji D8/75 X

OTHER PUBLICATIONS

Laurel and Hardy caricatures; Connoisseur, Apr. 1991,
p. 62.

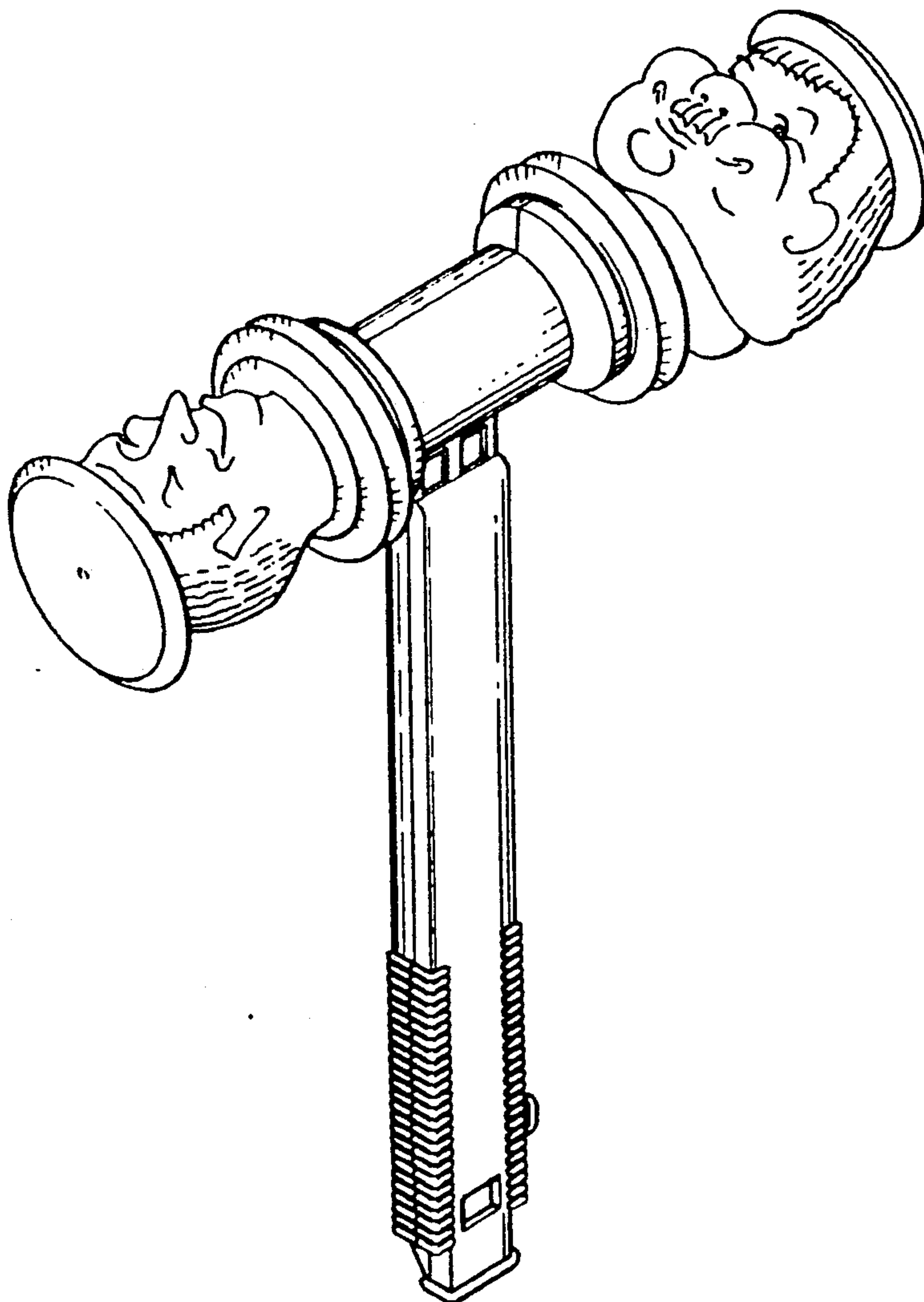
Primary Examiner—Bernard Ansher
Assistant Examiner—Dominic Simone
Attorney, Agent, or Firm—Leonard Bloom

[57] CLAIM

The ornamental design for a noise-making toy, as
shown and described.

DESCRIPTION

FIG. 1 is a perspective view of a noise-making toy
showing my new design;
FIG. 2 is a front view thereof;
FIG. 3 is a right side view thereof;
FIG. 4 is a bottom view thereof;
FIG. 5 is a rear view thereof;
FIG. 6 is a left side view thereof;
FIG. 7 is a top view thereof.



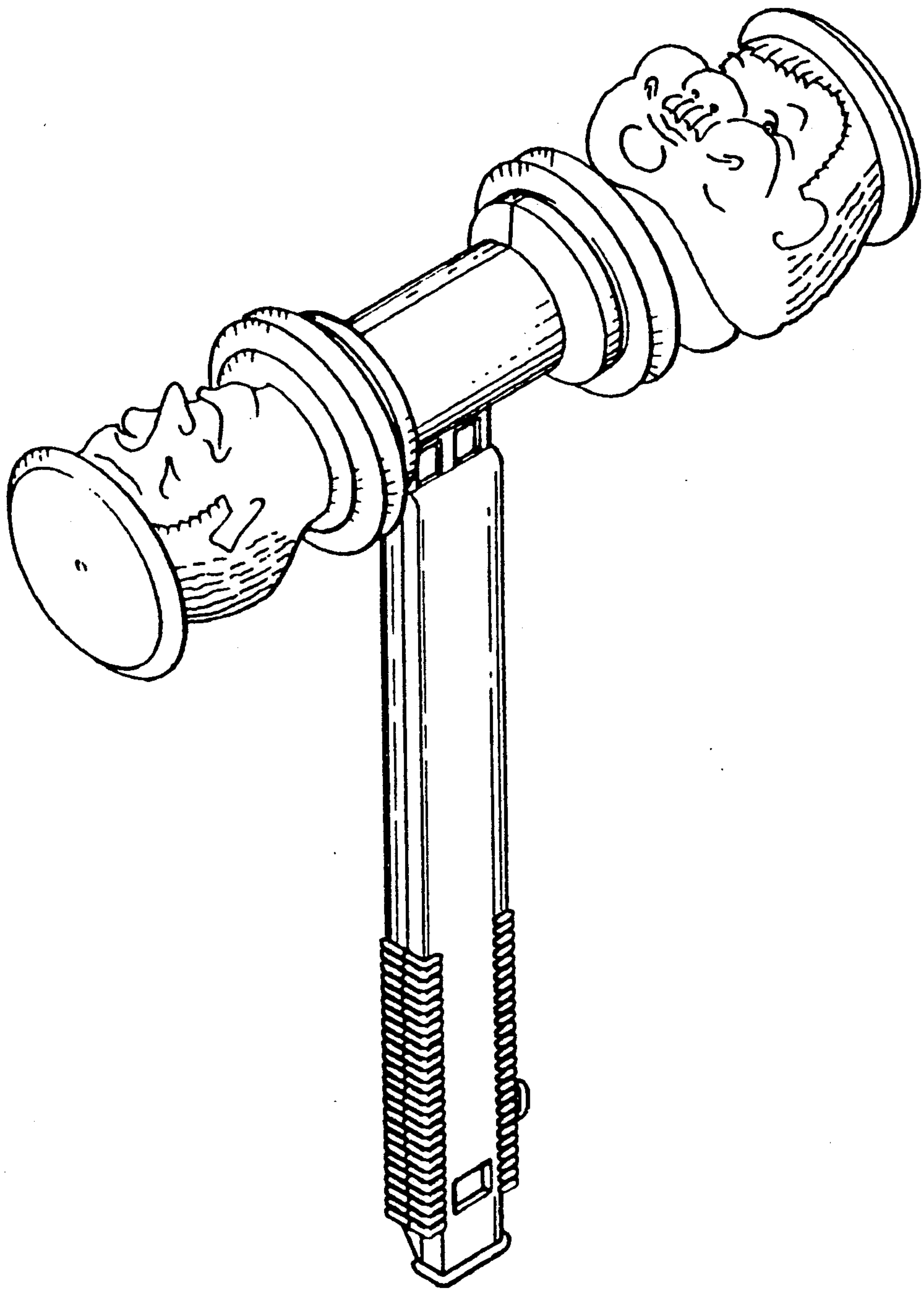


FIG. 1

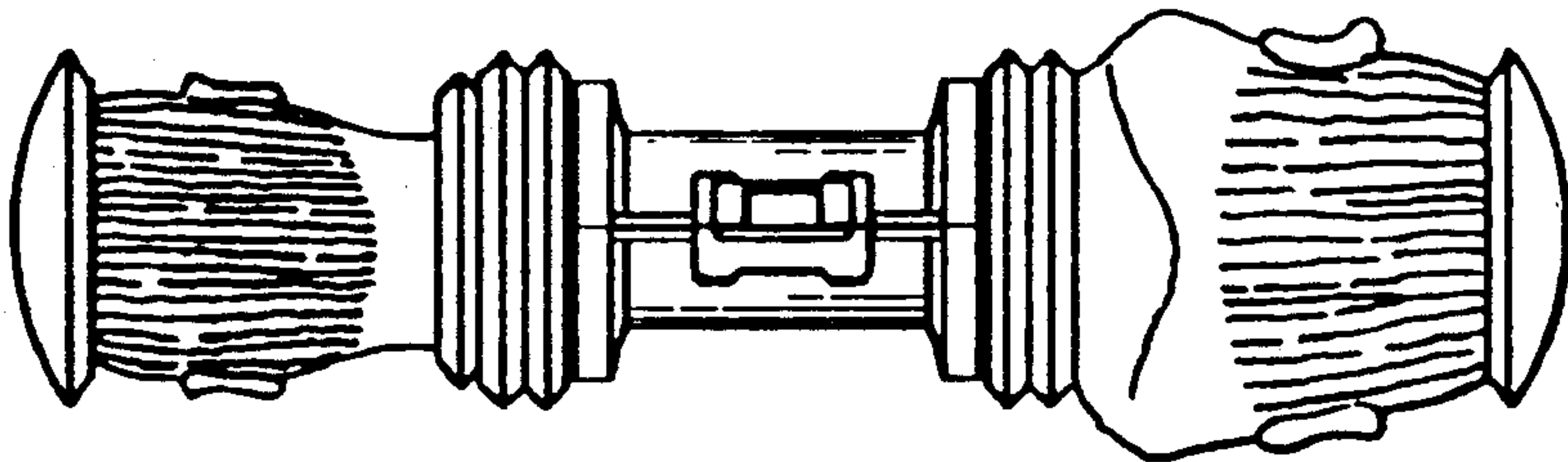


FIG. 4

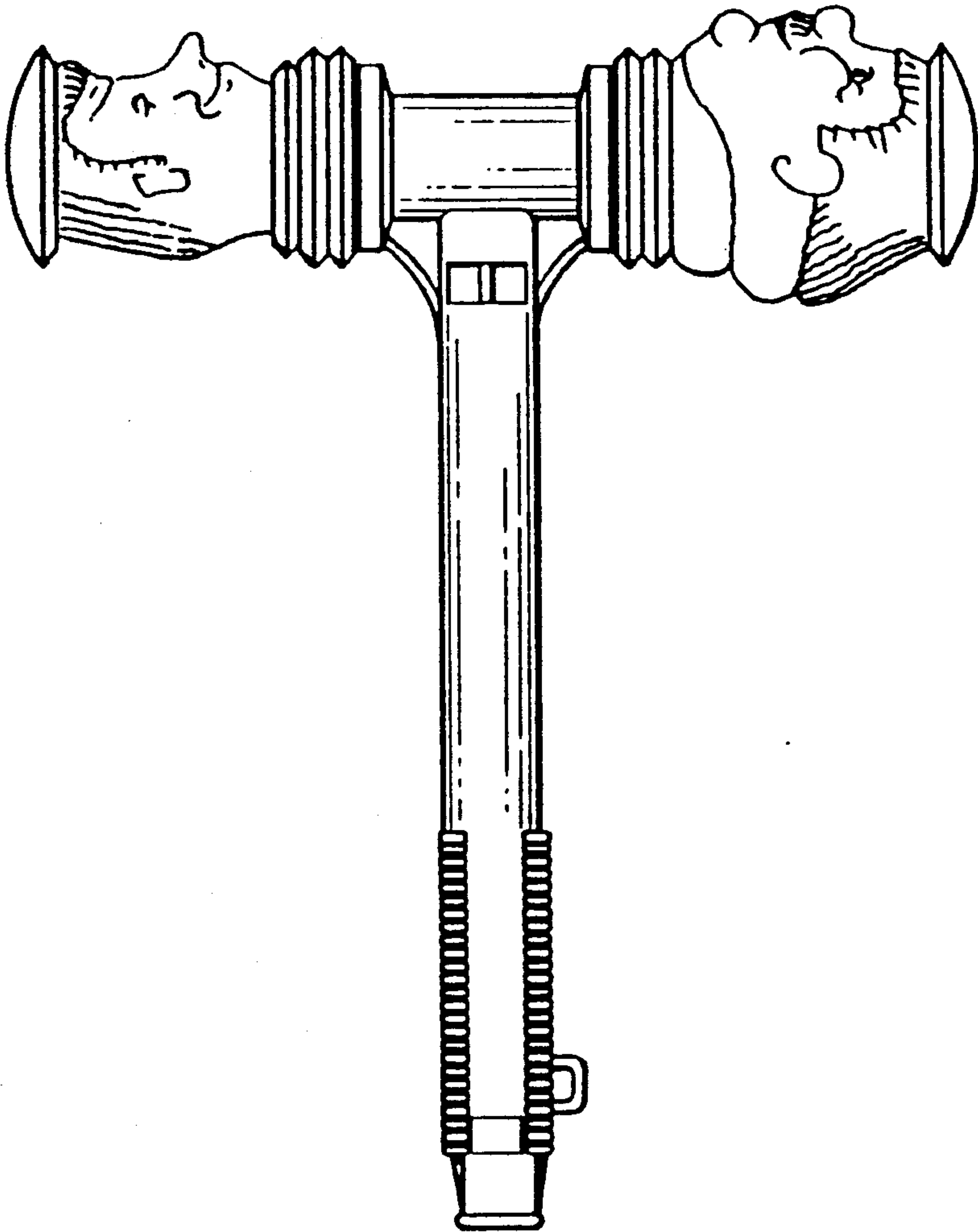


FIG. 2

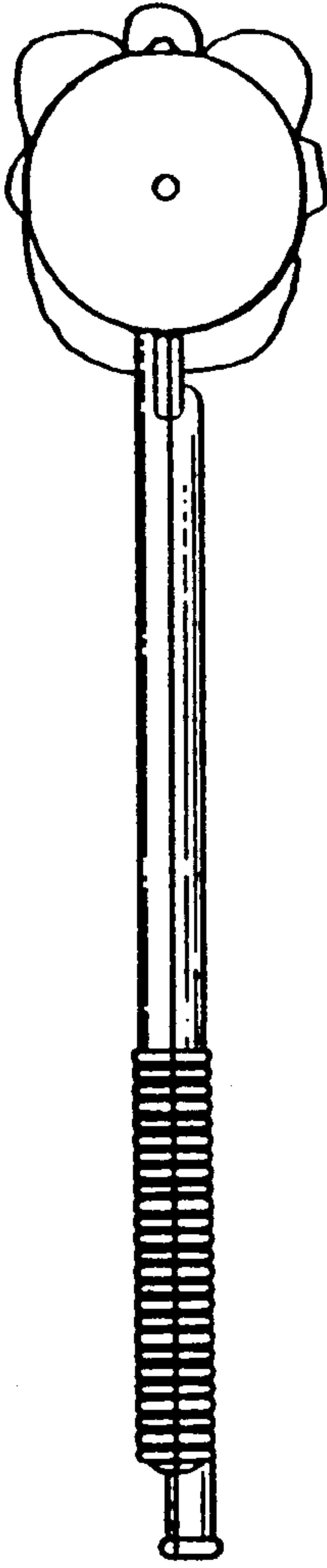


FIG. 3

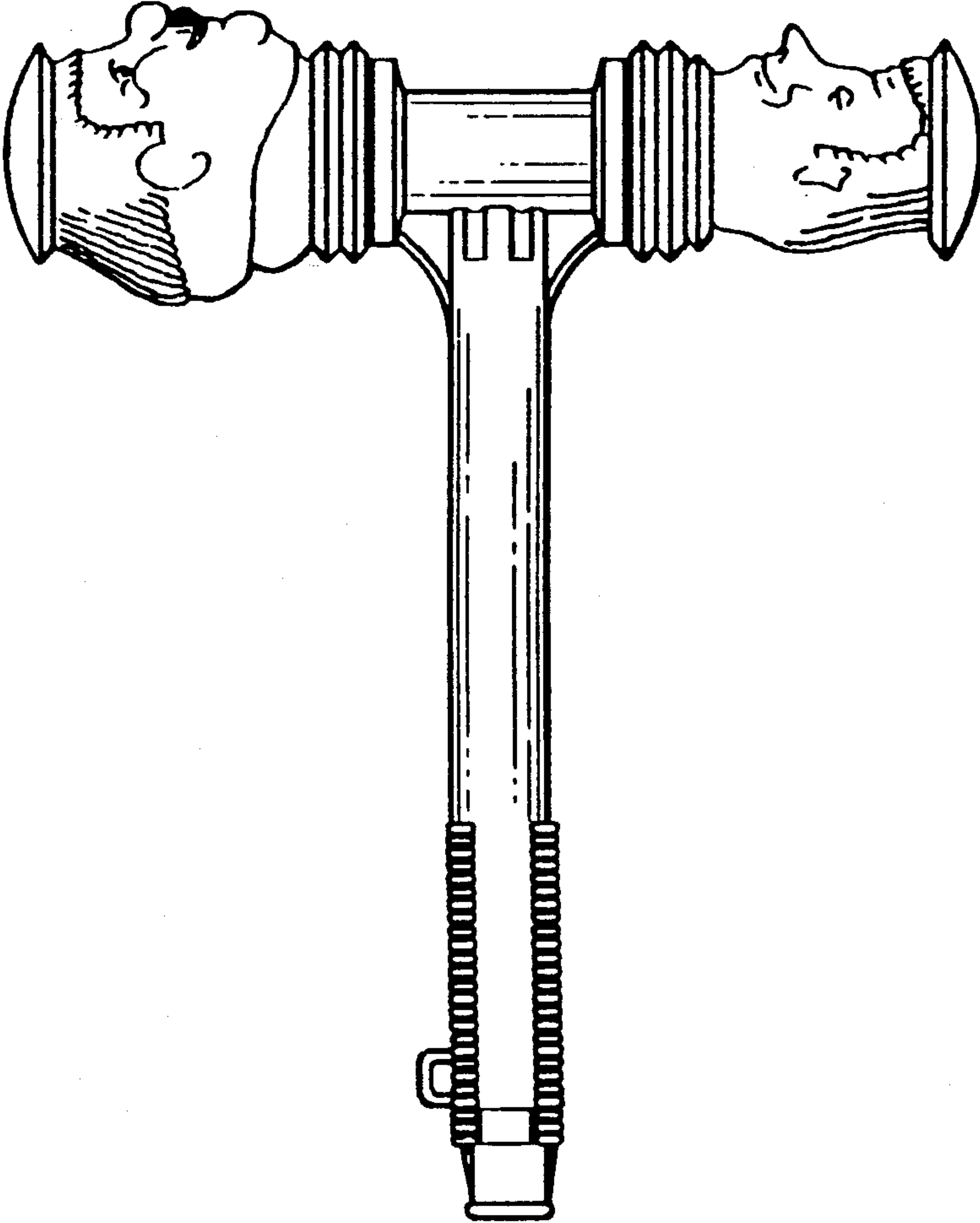


FIG. 5

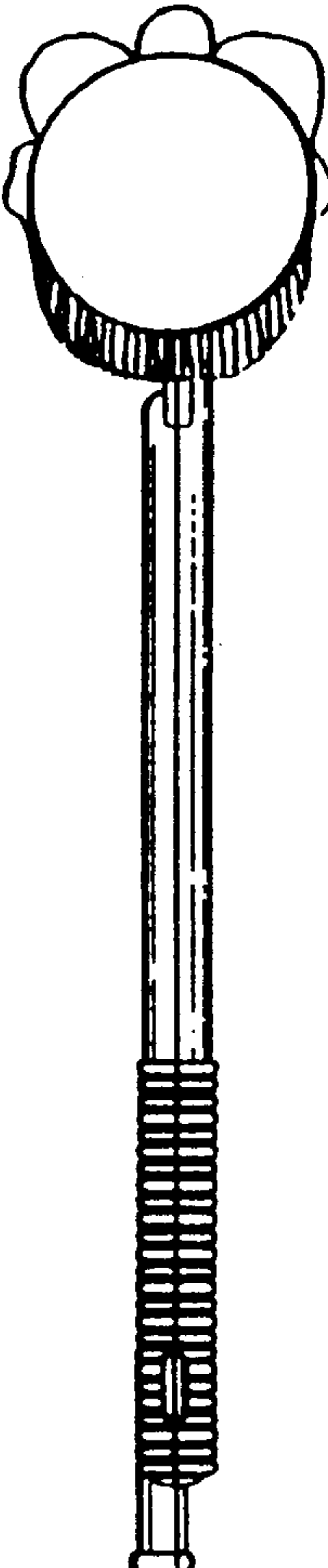


FIG. 6

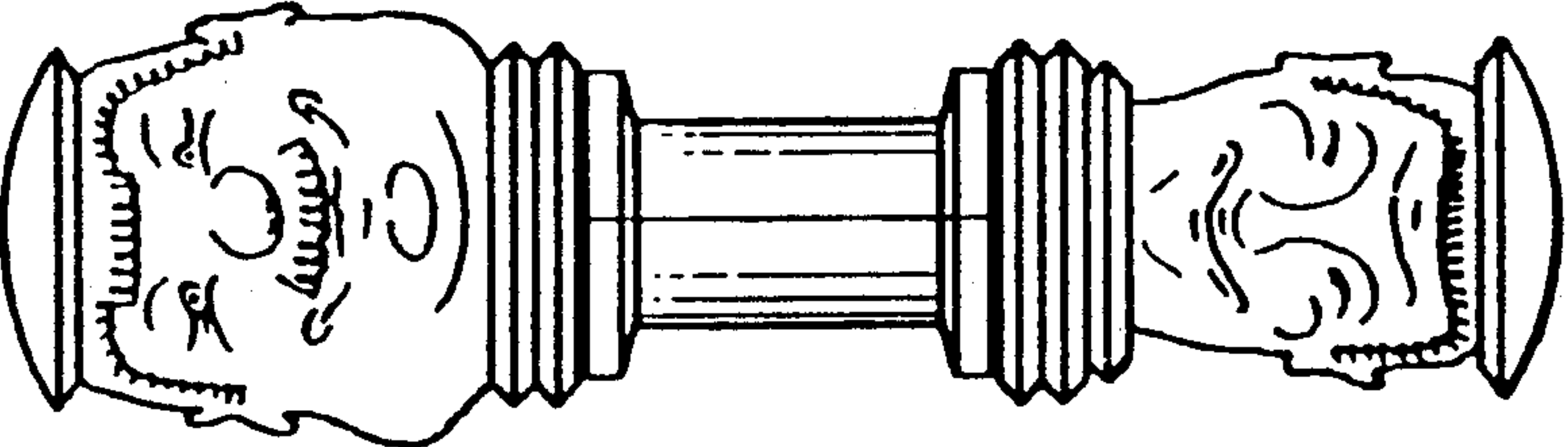


FIG. 7