

[54] GAME

[75] Inventor: Paul T. S. Poh, Singapore, Singapore

[73] Assignee: Golden Art Industries (PTE) Ltd., Singapore, Singapore

[\*\*] Term: 14 Years

[21] Appl. No.: 378,302

[22] Filed: Jul. 11, 1989

[30] Foreign Application Priority Data

Mar. 16, 1989 [GB] United Kingdom ..... 1057919

[52] U.S. Cl. .... D21/2; D21/27

[58] Field of Search ..... D21/2, 11, 14-36; 273/236-285

[56] References Cited

U.S. PATENT DOCUMENTS

D. 257,446 10/1980 Matsumoto ..... D21/27

D. 267,891 2/1983 Hailey ..... D21/2

1,695,937 12/1928 Welch ..... D21/2

2,433,224 12/1947 Koci et al. .... D21/11

4,232,866 11/1980 Pennachio ..... 273/274

Primary Examiner—Bernard Ansher  
Assistant Examiner—Sandra Morris  
Attorney, Agent, or Firm—Gottlieb, Rackman & Reisman

[57] CLAIM

The ornamental design for a game, as shown and described.

DESCRIPTION

FIG. 1 is a front perspective view of a game, showing my new design;

FIG. 2 is a rear perspective view thereof;

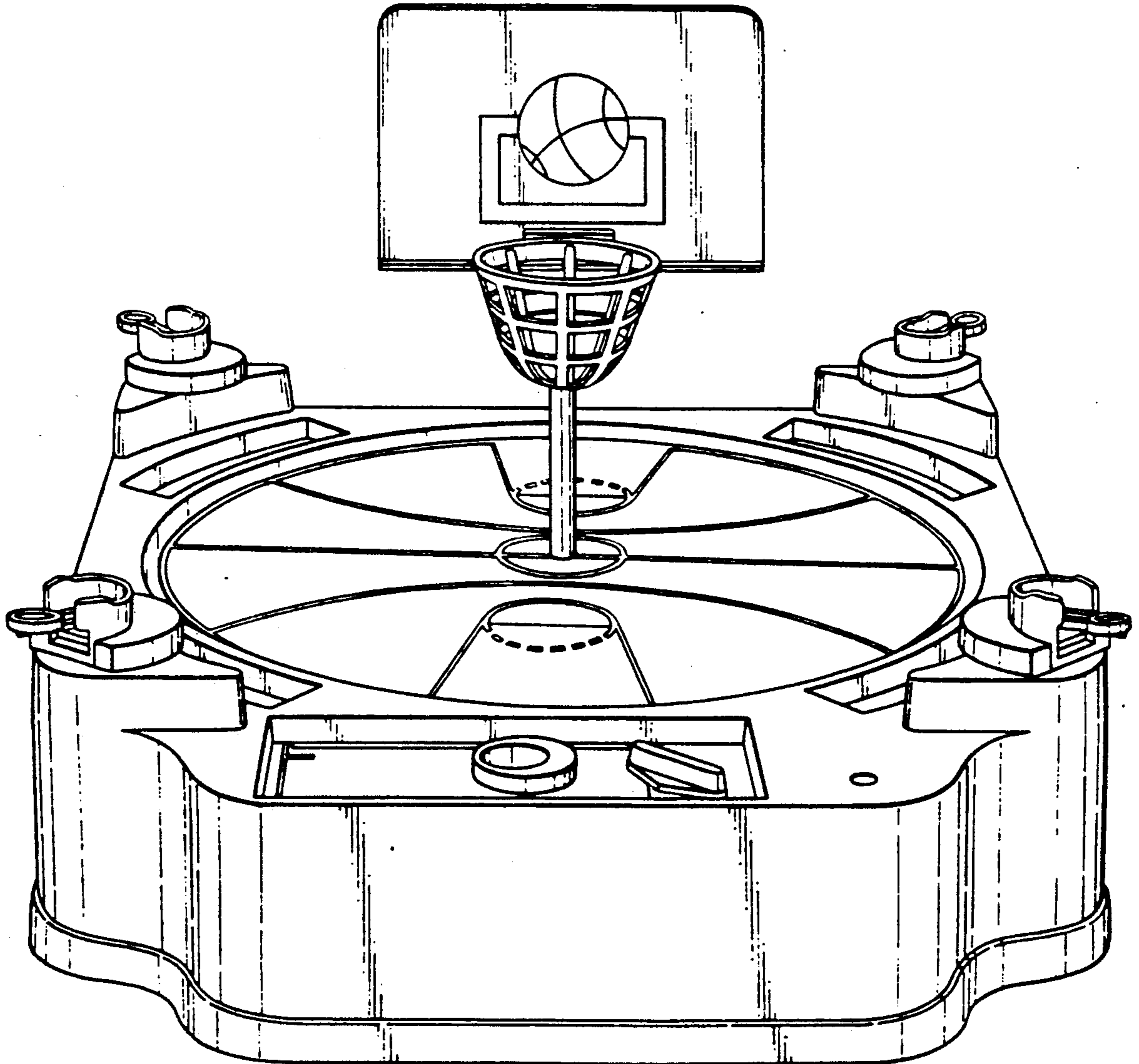
FIG. 3 is a top plan view thereof;

FIG. 4 is a bottom plan view thereof;

FIG. 5 is a left side perspective view thereof;

FIG. 6 is a right side perspective view thereof;

FIG. 7 is an above rear perspective view thereof.



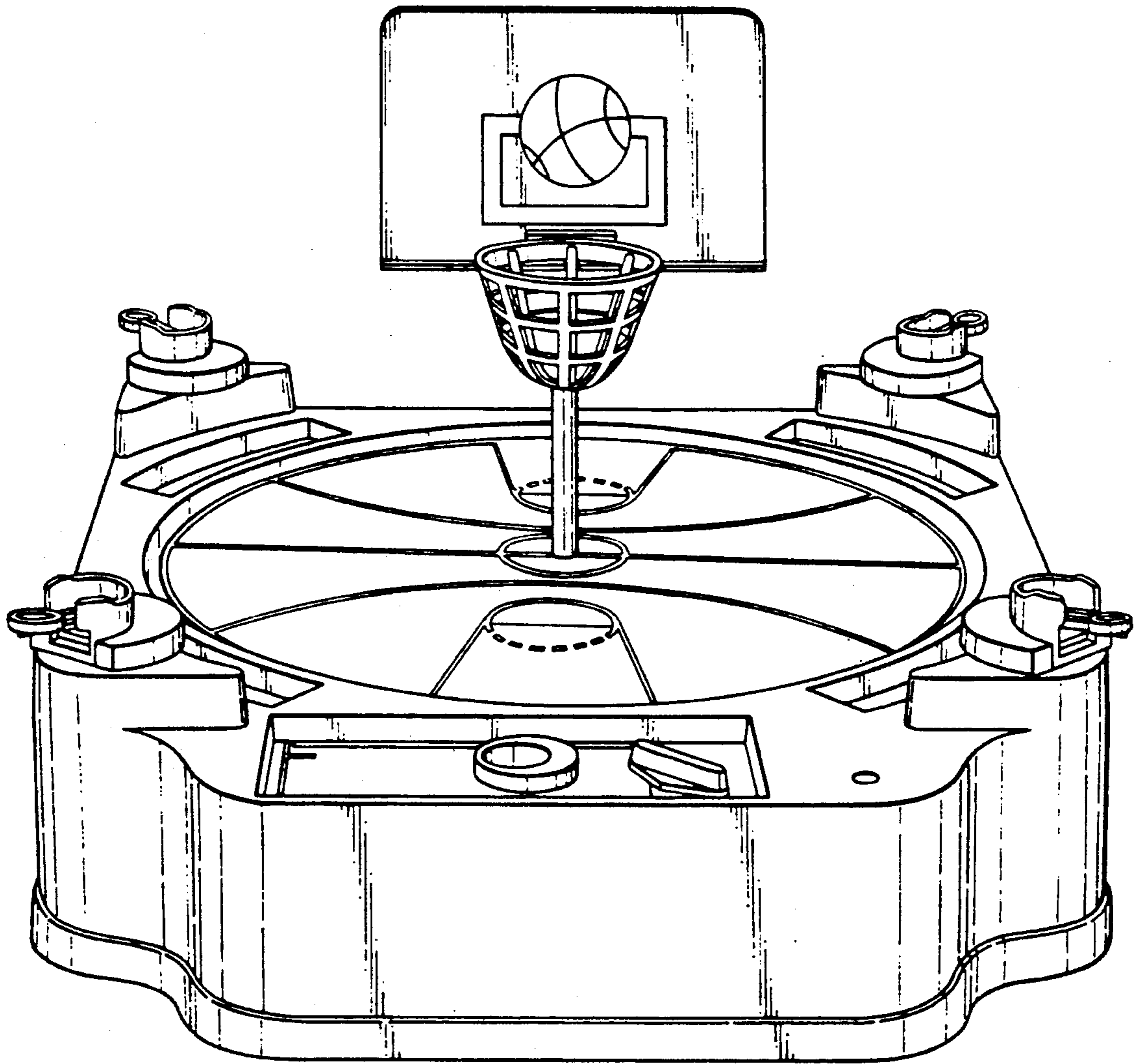


FIG. 1.

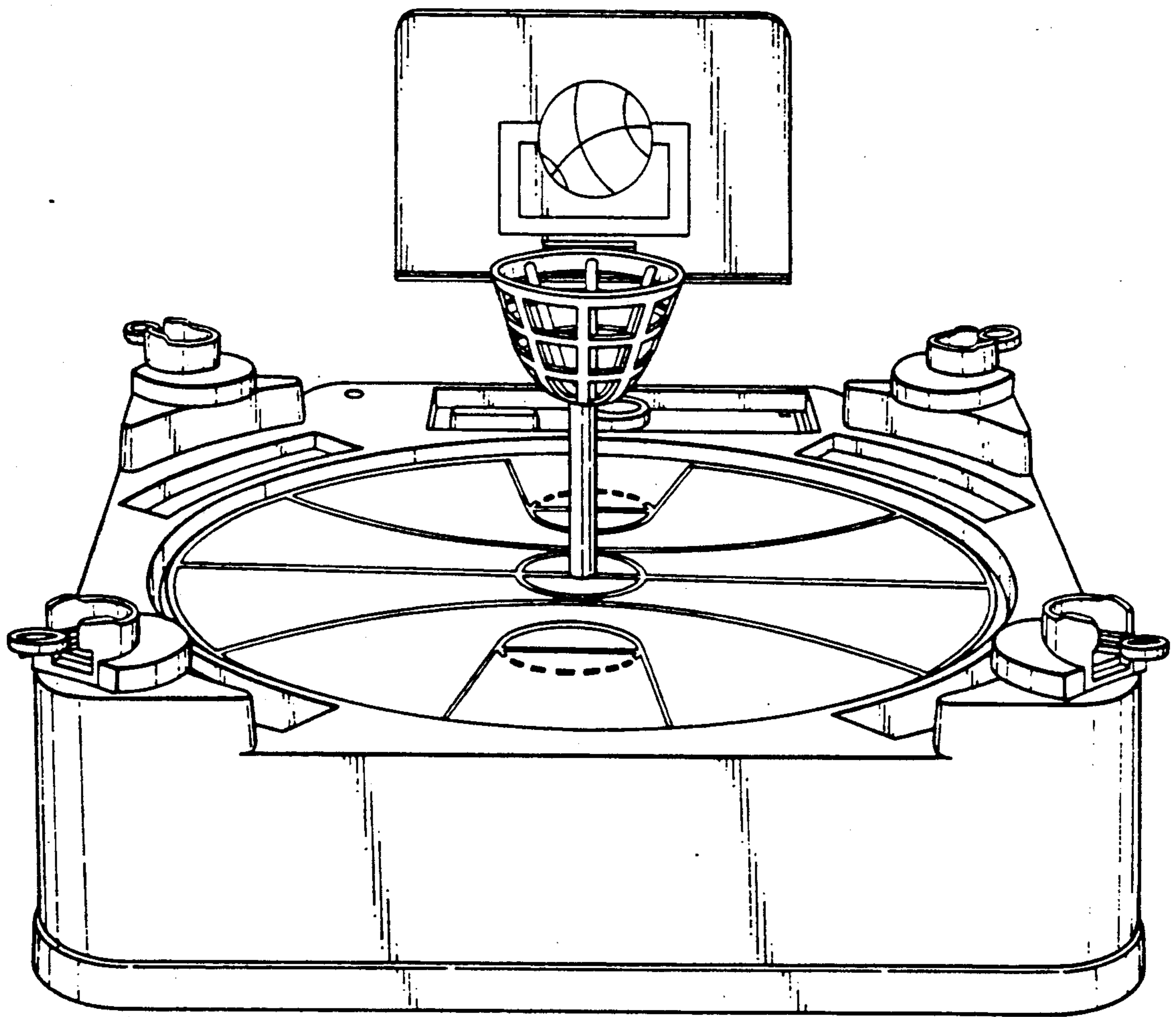


FIG. 2.



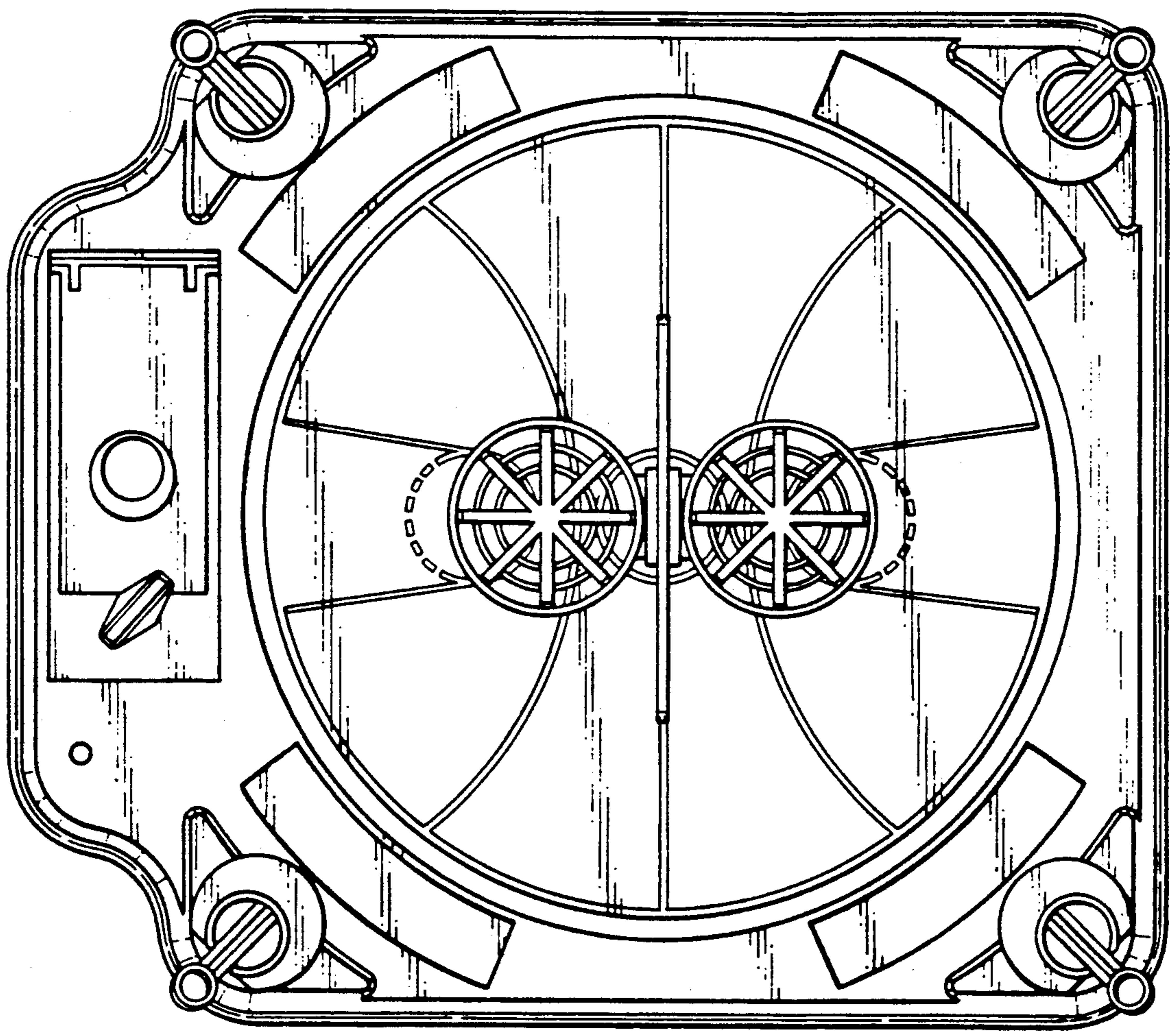


FIG. 3.

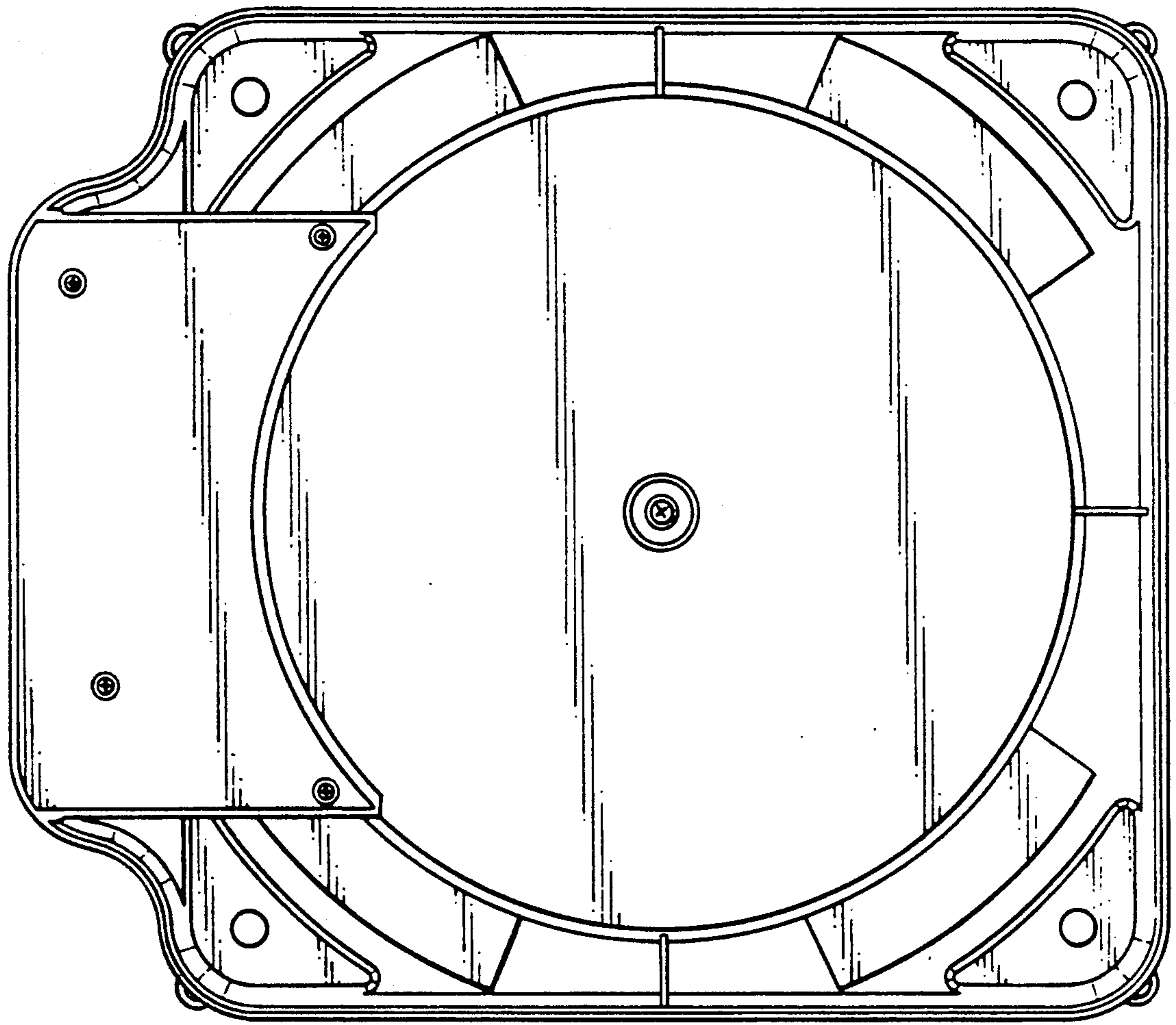


FIG. 4.

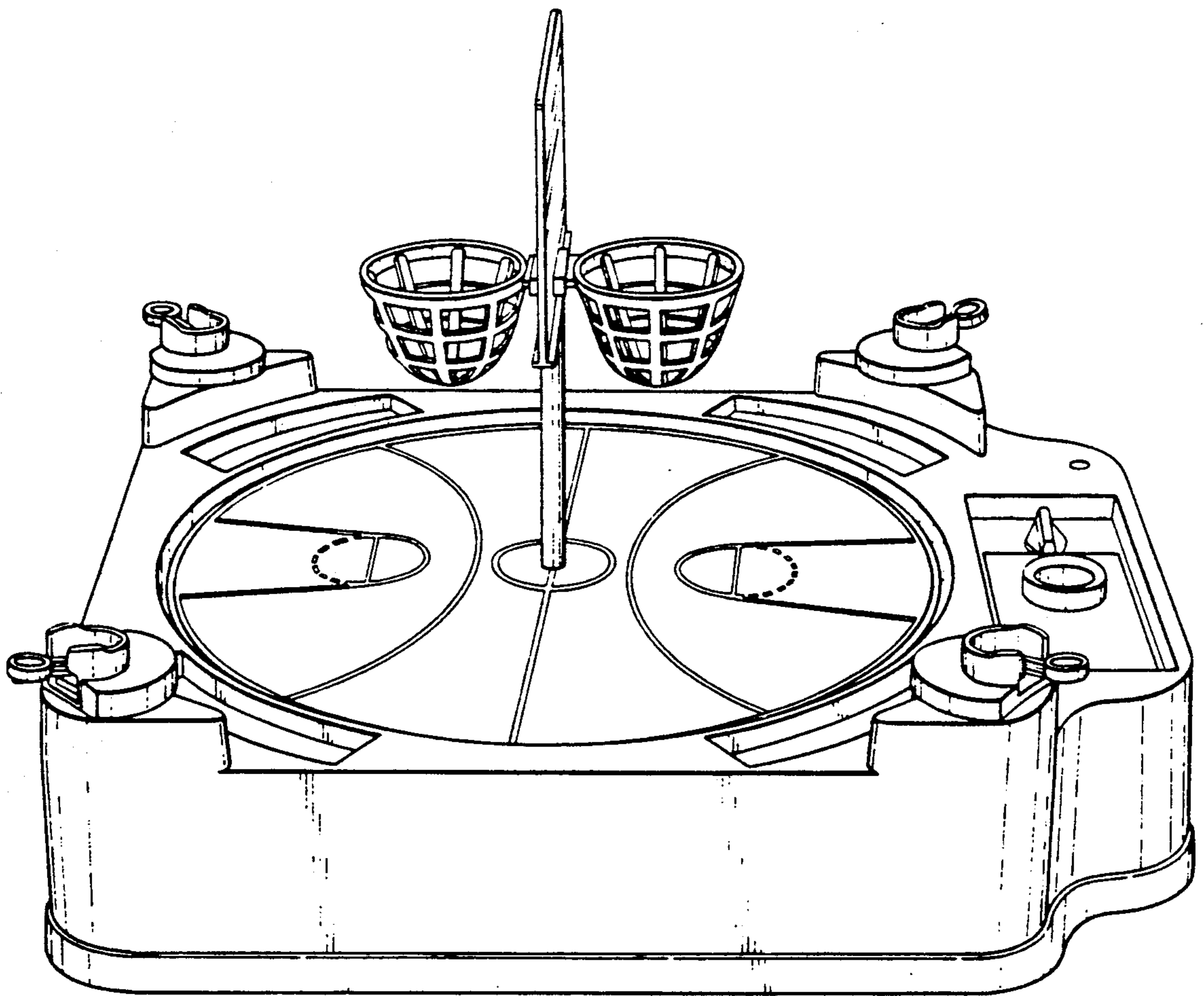


FIG. 5.

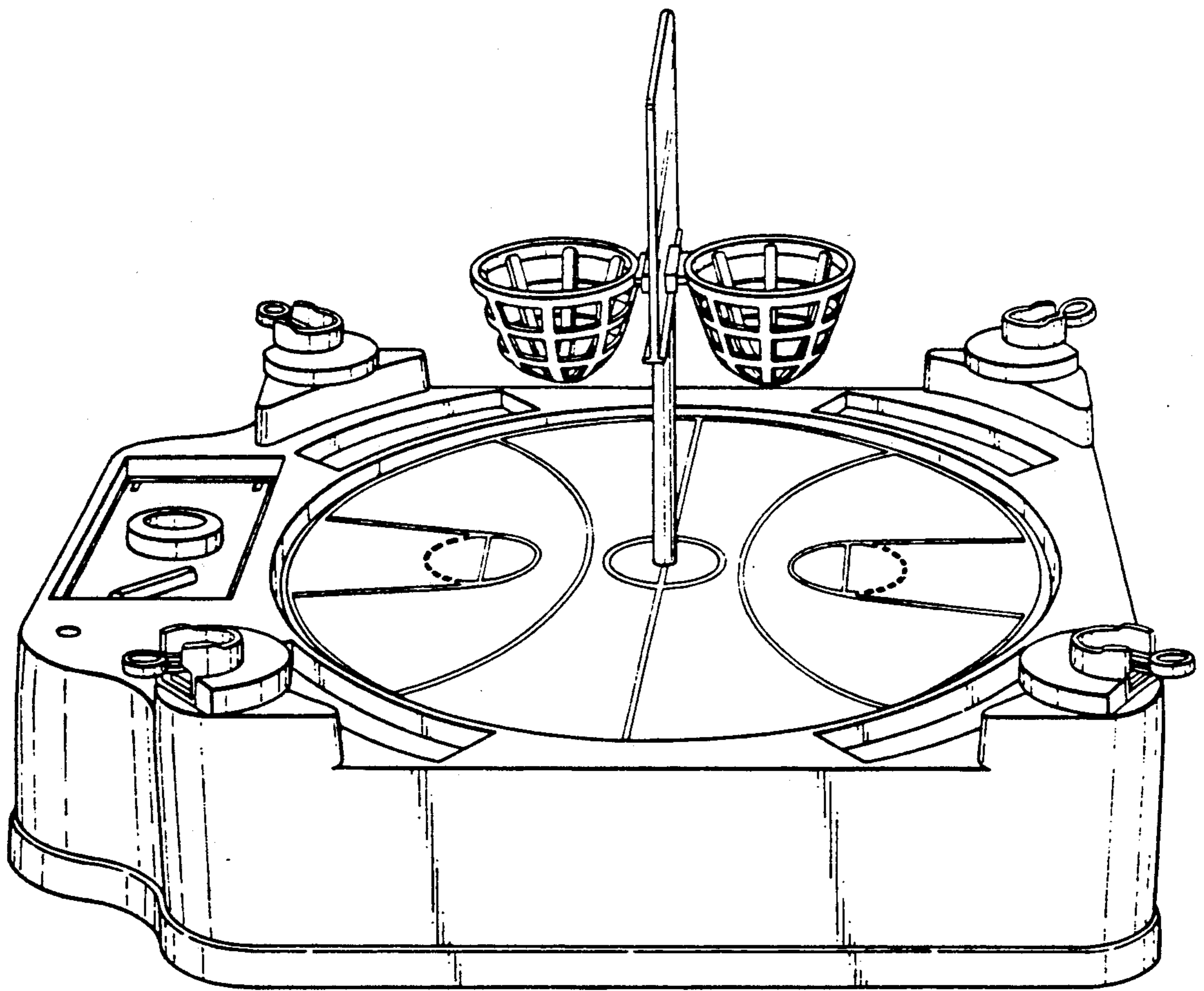


FIG. 6.



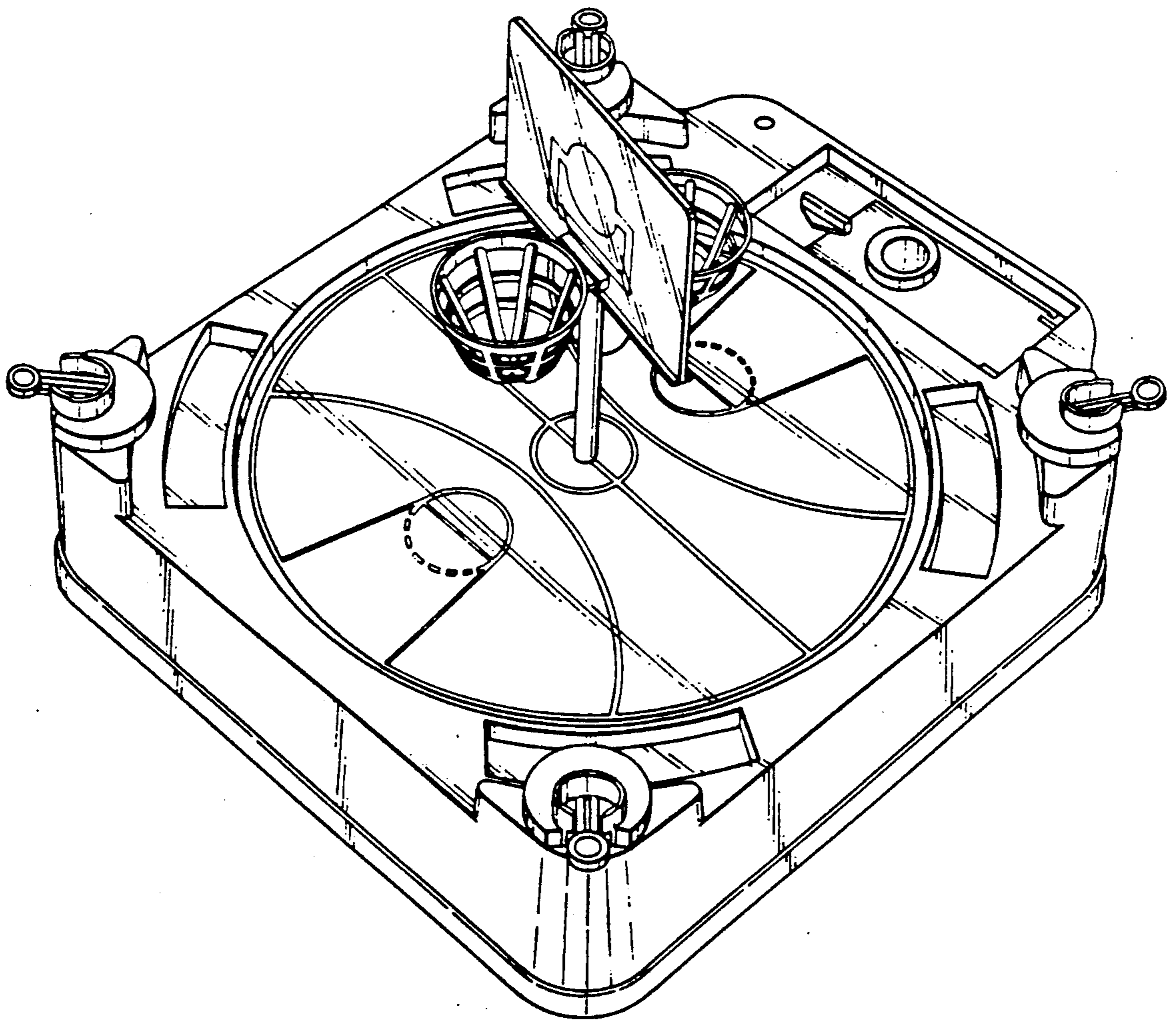


FIG. 7.