

United States Patent [19]

Montgomery et al.

[11] Patent Number: **Des. 322,632**

[45] Date of Patent: **** Dec. 24, 1991**

[54] **NOTE DISPENSER**

[75] Inventors: **Paul S. Montgomery, San Francisco; Paul Braund, Campbell, both of Calif.; David C. Windorski, Woodbury, Minn.**

[73] Assignee: **Minnesota Mining and Manufacturing Company, St. Paul, Minn.**

[**] Term: **14 Years**

[21] Appl. No.: **360,752**

[22] Filed: **Jun. 2, 1989**

[52] U.S. Cl. **D19/86; D19/65; D19/92**

[58] Field of Search **D6/515, 518; D19/65, D19/75, 76, 78, 86, 92, 95, 99, 100; 206/215; 211/10, 11, 45, 50**

[56] **References Cited**

U.S. PATENT DOCUMENTS

D. 120,743 5/1940 Petzold D19/86 X

D. 183,449 9/1958 Dillen D19/86
D. 247,298 2/1978 Maruca et al. D19/76
D. 306,462 3/1990 Miles et al. D19/86
D. 310,688 9/1990 Windorski D19/86
D. 312,368 11/1990 Andriash D6/518

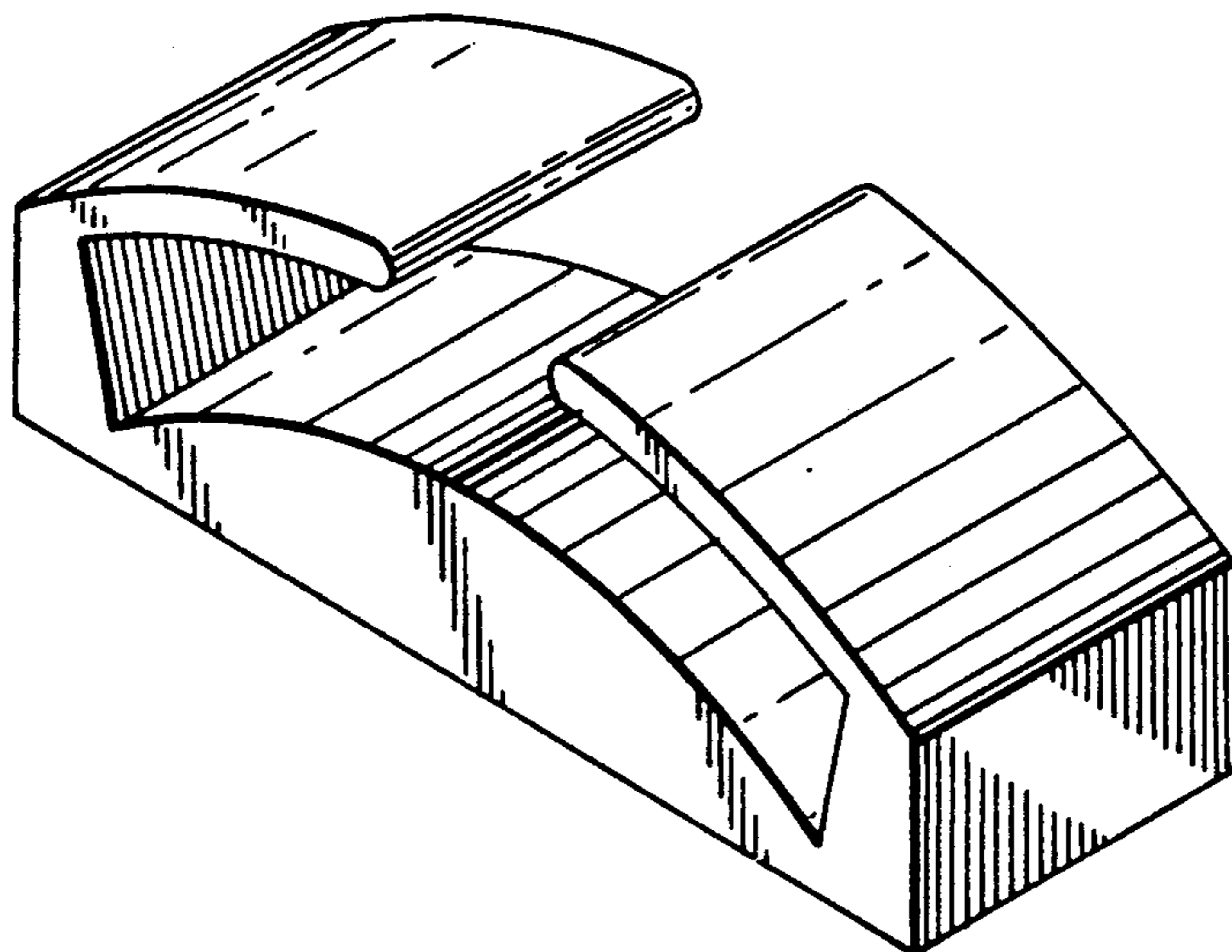
Primary Examiner—Bruce W. Dunkins
Assistant Examiner—Martha Thompson
Attorney, Agent, or Firm—Gary L. Griswold; Walter N. Kirn; William L. Huebsch

[57] **CLAIM**

The ornamental design for a note dispenser, as shown and described.

DESCRIPTION

FIG. 1 is a front, right side perspective view of a note dispenser showing our new design; FIG. 2 is a left side elevational view, the right side being a mirror image thereof; FIG. 3 is a front elevational view, the rear view being a mirror image thereof; FIG. 4 is a top plan view thereof; and FIG. 5 is a bottom plan view thereof.



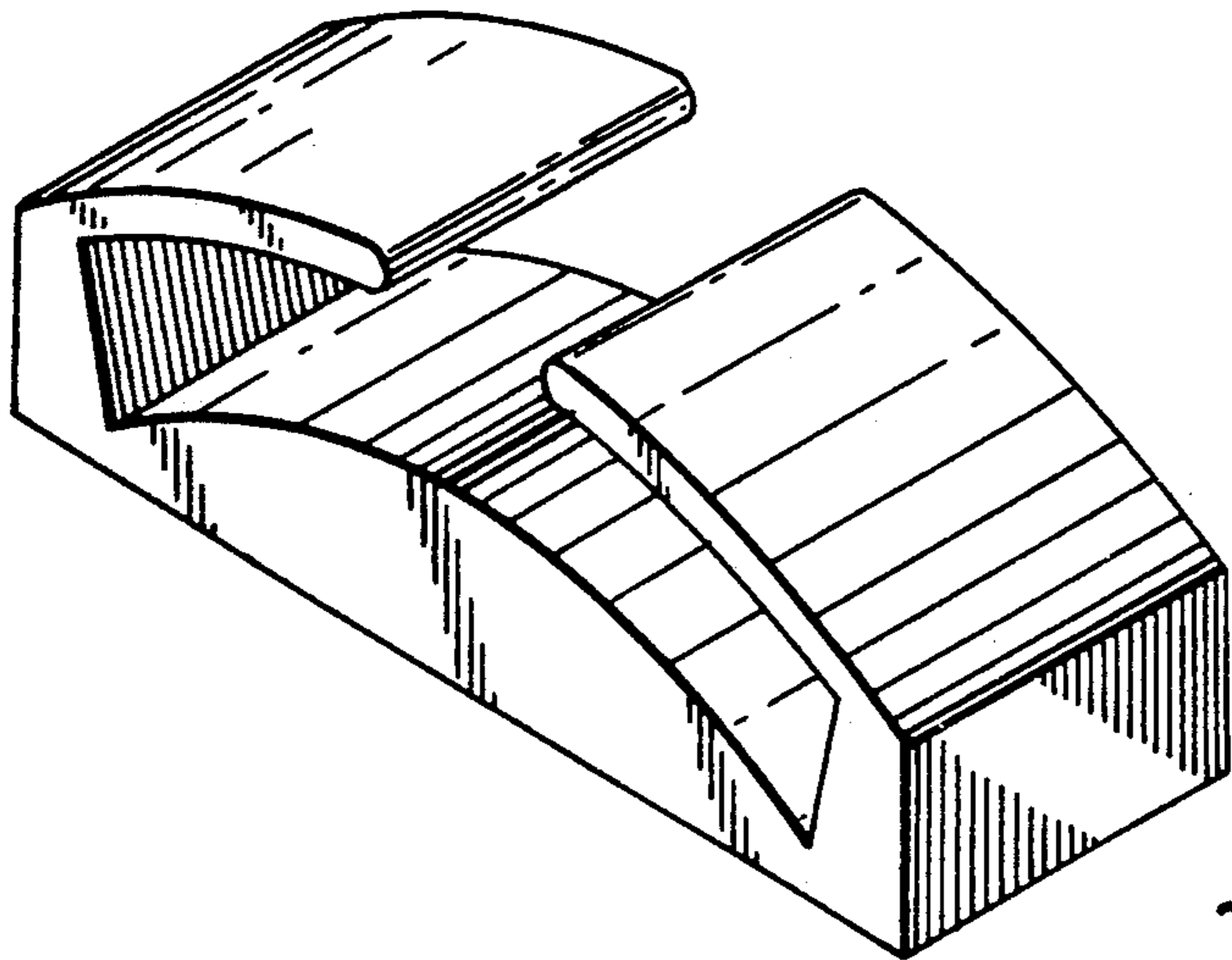


FIG. 1

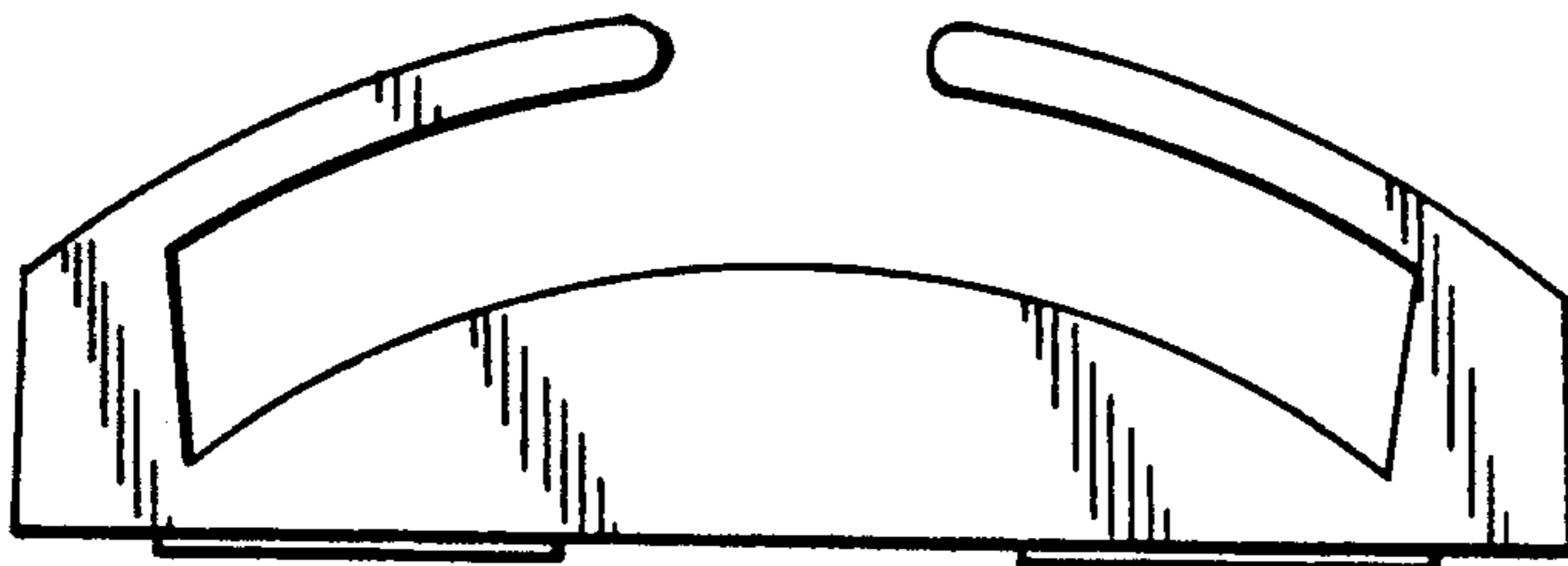


FIG. 2

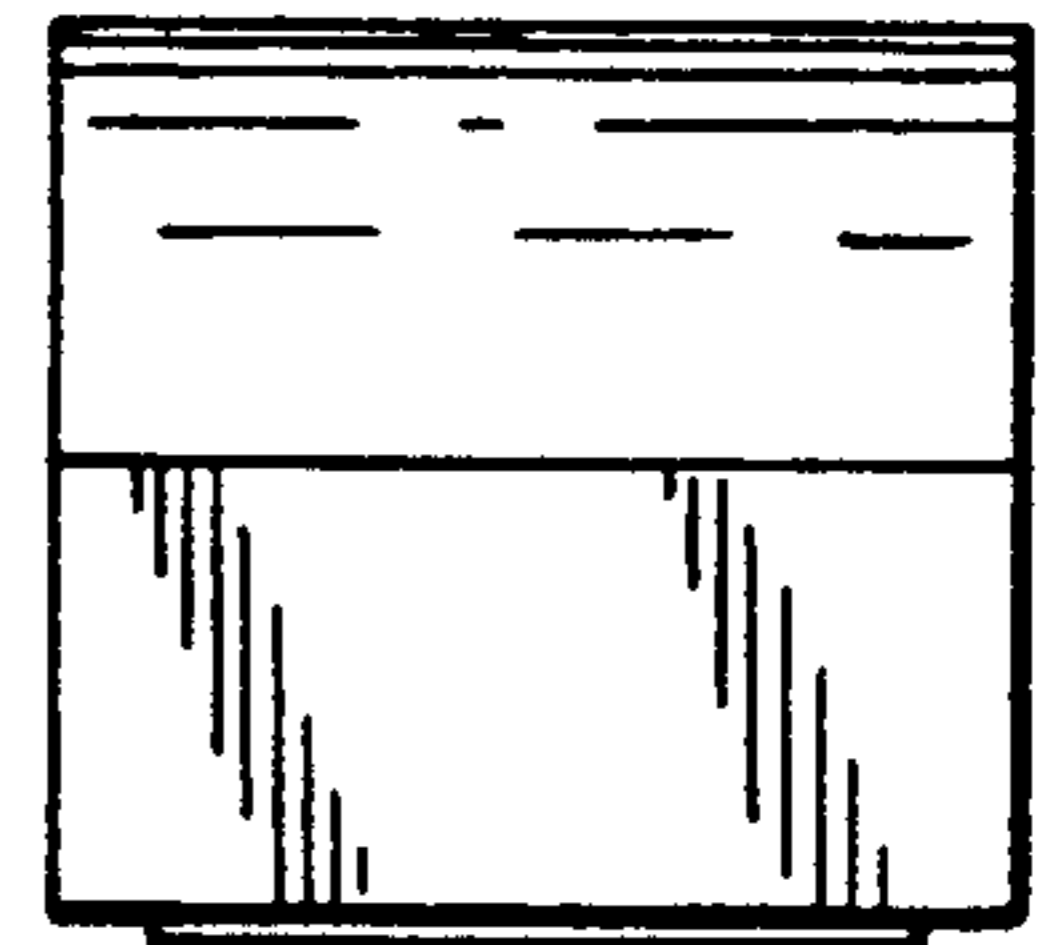


FIG. 3

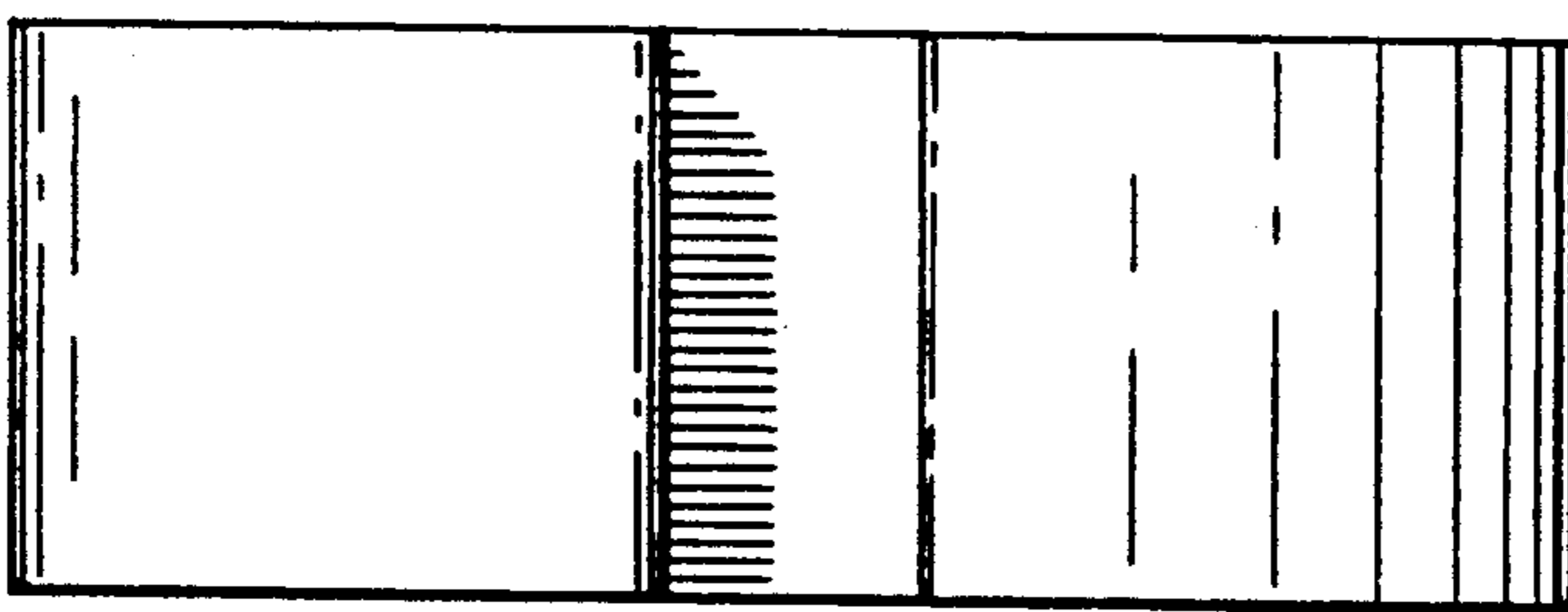


FIG. 4

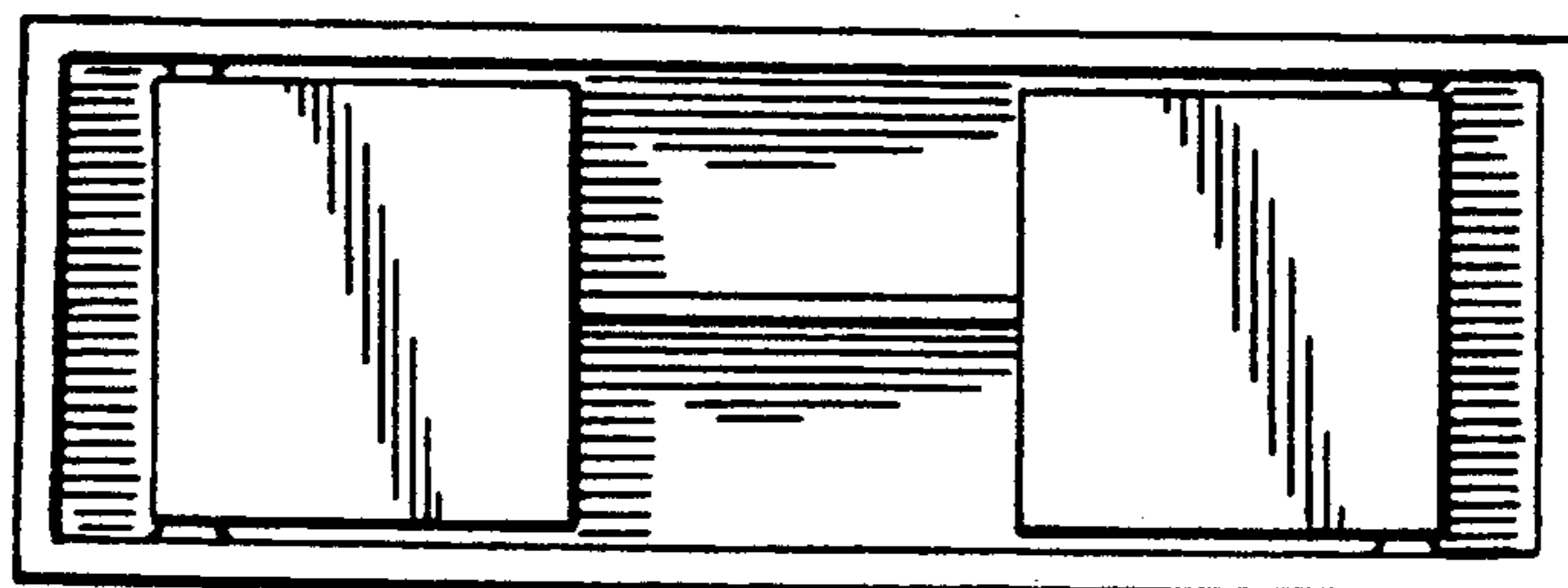


FIG. 5