

[54] COMBINED STATIONERY STORAGE RACK AND SUPPORT ARM FOR ATTACHMENT TO A WORK SURFACE

D. 309,065 7/1990 Huff D6/418 X
D. 312,008 11/1990 Speed et al. D6/418

[76] Inventor: Tair-Hwa Jin, No. 7, Lane 98, Sec. 3, Ho Ping E. Rd., Taipei, Taiwan

[**] Term: 14 Years

[21] Appl. No.: 389,831

[22] Filed: Aug. 4, 1989

[52] U.S. Cl. D19/77; D6/418; D6/467; D19/75; D19/85; D19/35

[58] Field of Search D6/418, 467; D19/35, D19/36, 65, 75, 77, 78, 81-85, 95, 99, 100; 206/214, 371; 211/69.1-69.9

[56] References Cited

U.S. PATENT DOCUMENTS

- D. 174,963 6/1955 Olejniczak D19/77
- D. 189,489 12/1960 Jackson D19/75 X
- D. 241,215 8/1976 Smith D6/418
- D. 256,809 9/1980 Evenson D19/75
- D. 278,254 4/1985 Evenson D19/75
- D. 305,669 1/1990 Deusinger D19/35
- D. 305,670 1/1990 Deusinger D19/35

OTHER PUBLICATIONS

The Plastic Showcase, Fall/Winter 1984, see p. 3, Porcupine Pen Holder—right center.

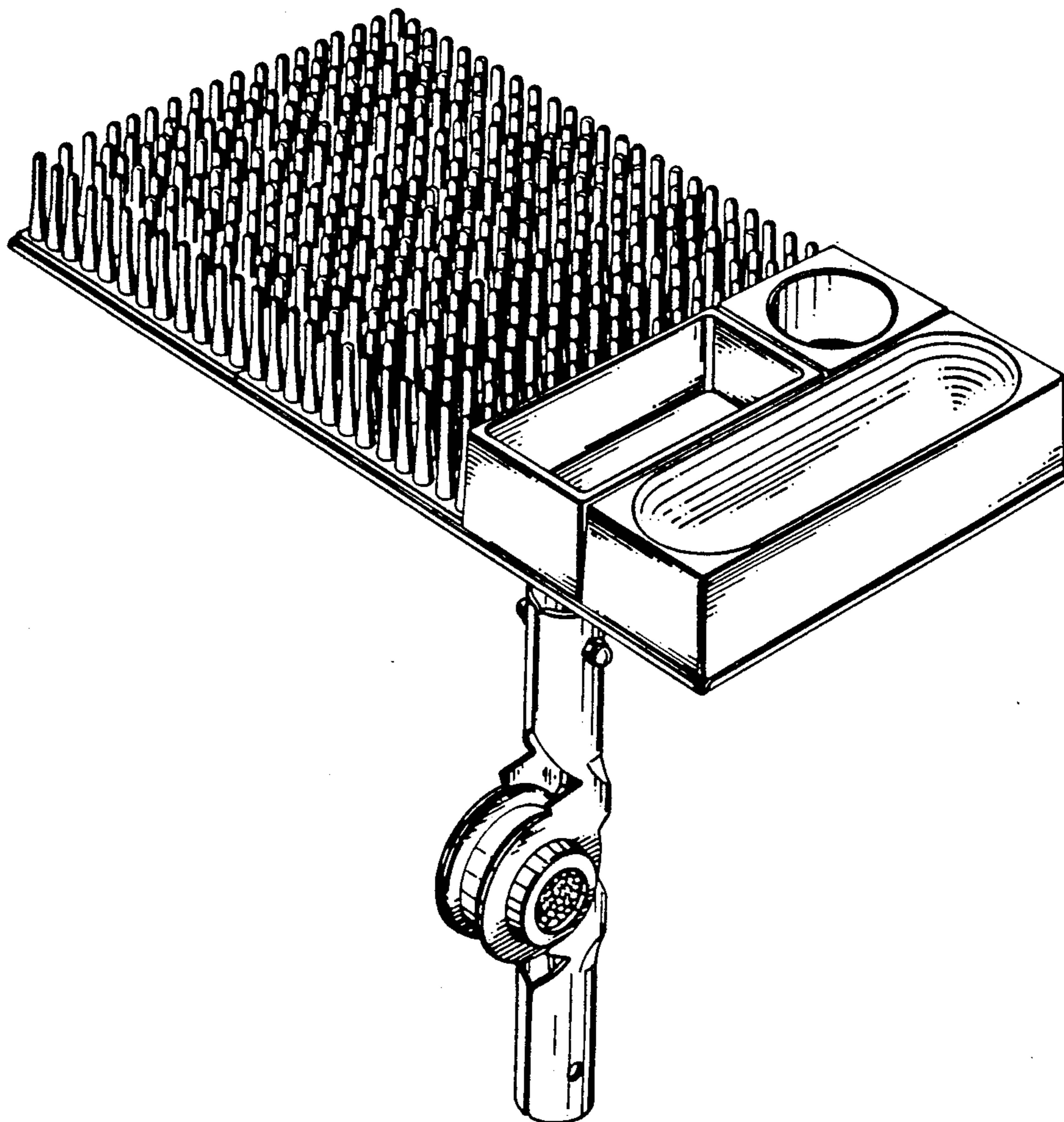
Primary Examiner—Nelson C. Holtje
Assistant Examiner—Martha Thompson
Attorney, Agent, or Firm—Varndell Legal Group

[57] CLAIM

The ornamental design for a combined stationery storage rack and support arm for attachment to a work surface, as shown and described.

DESCRIPTION

FIG. 1 is a top, right front perspective view of a combined stationery storage rack and support arm for attachment to a work surface showing my new design; FIG. 2 is a front elevational view thereof; FIG. 3 is a right side elevational view thereof; FIG. 4 is a rear elevational view thereof; FIG. 5 is a left side elevational view thereof; FIG. 6 is a top plan view thereof; and FIG. 7 is a bottom plan view thereof.



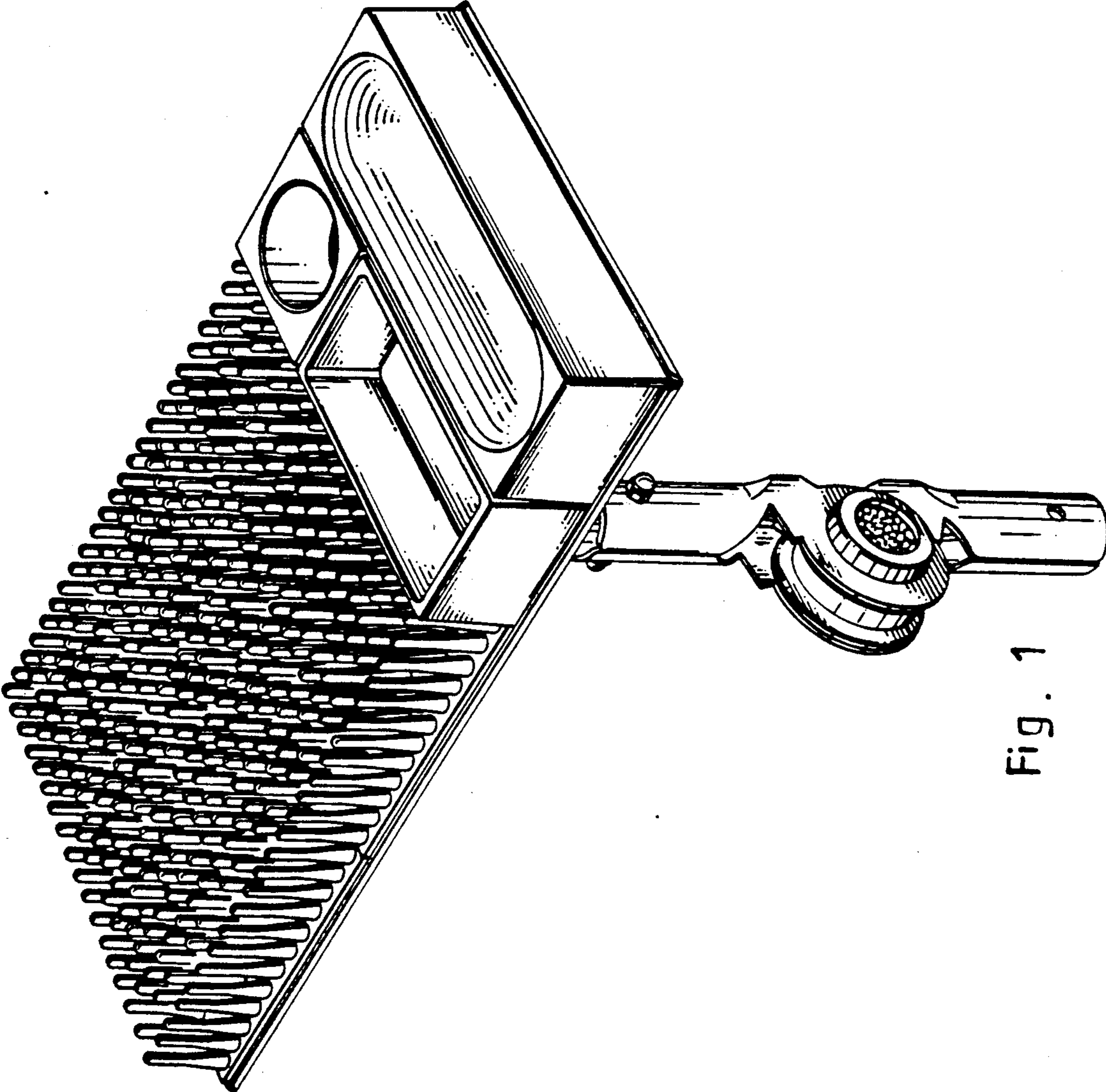


Fig. 1

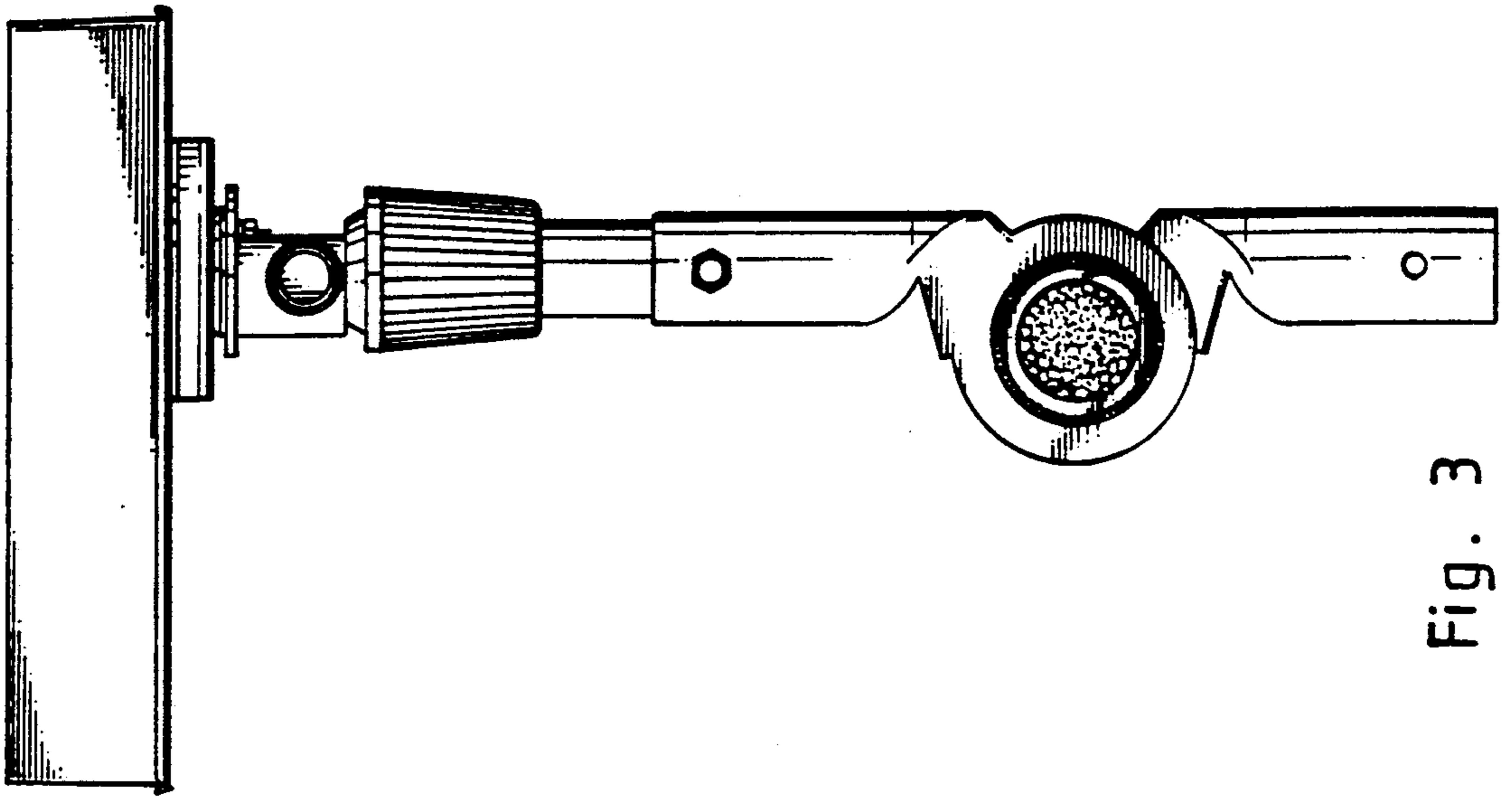


Fig. 3

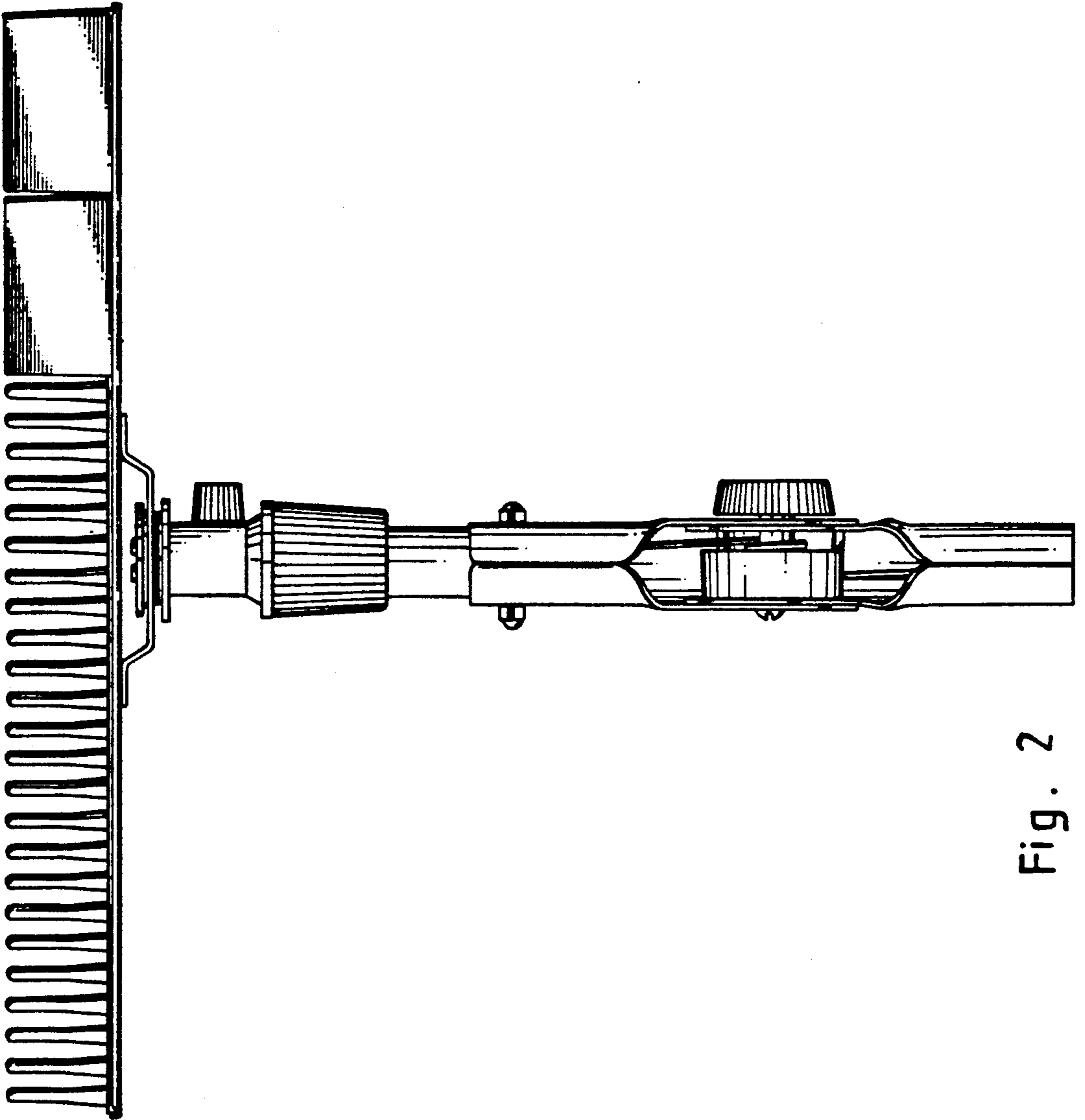


Fig. 2

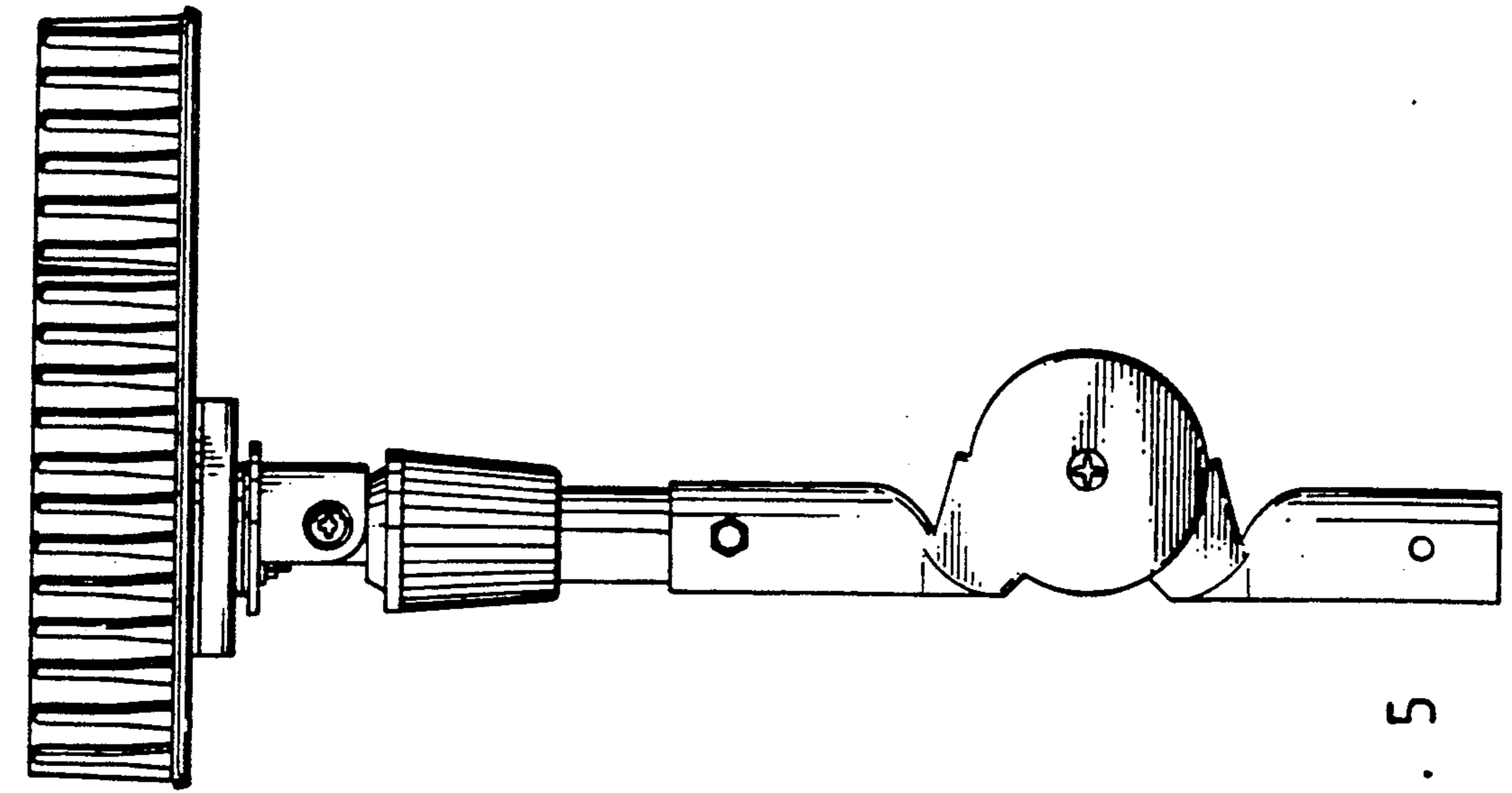


Fig. 5

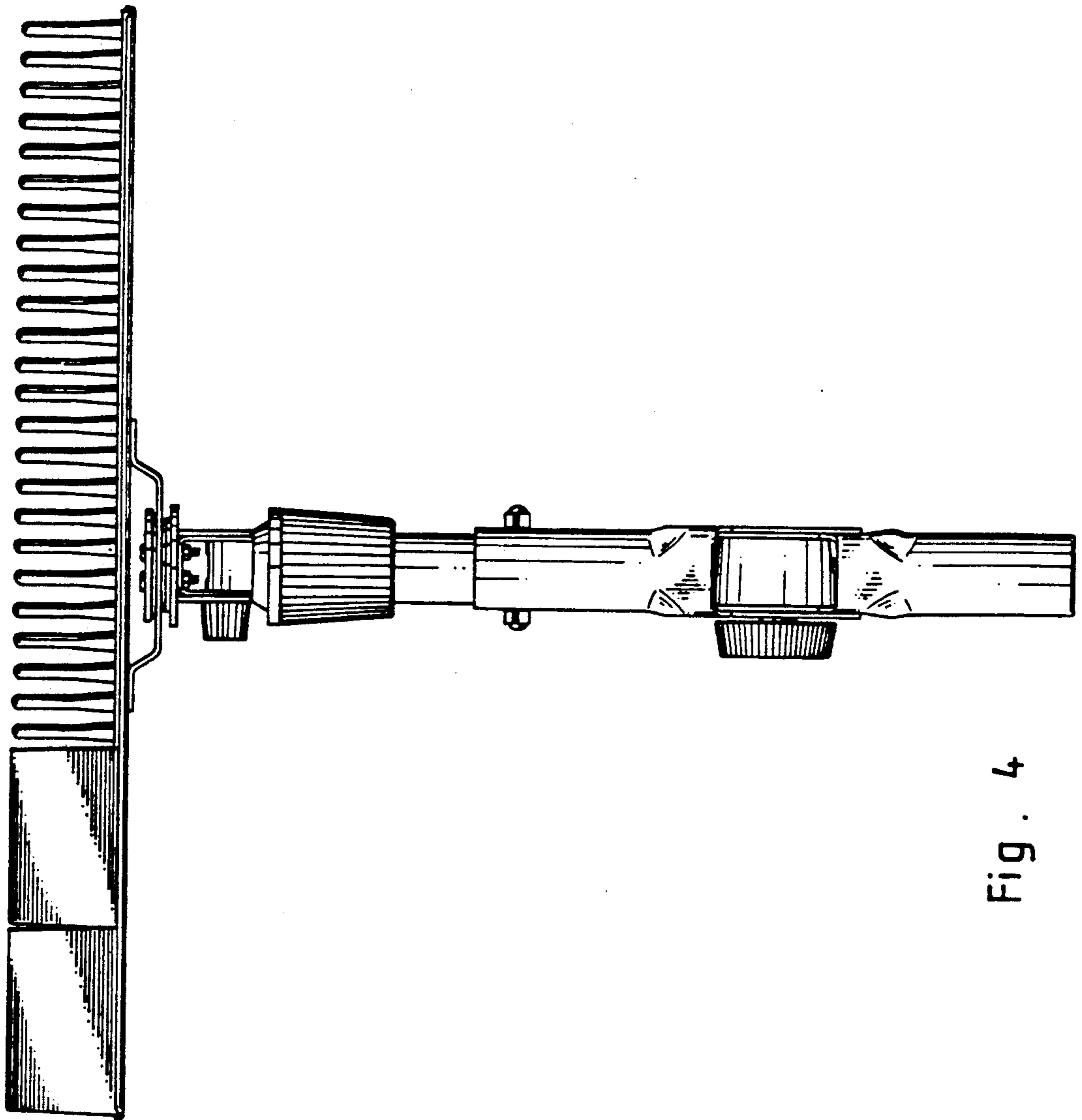


Fig. 4

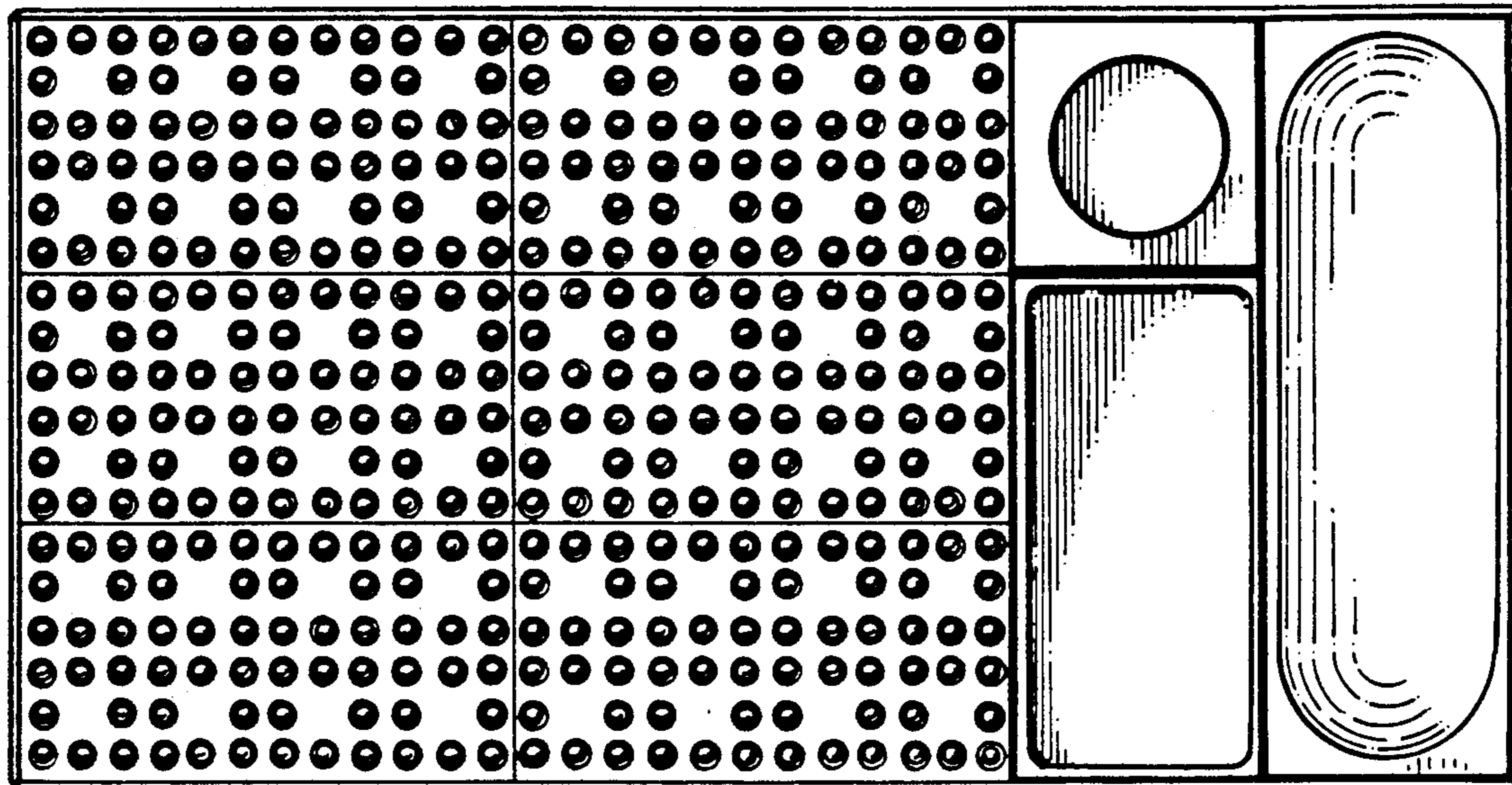


Fig. 6

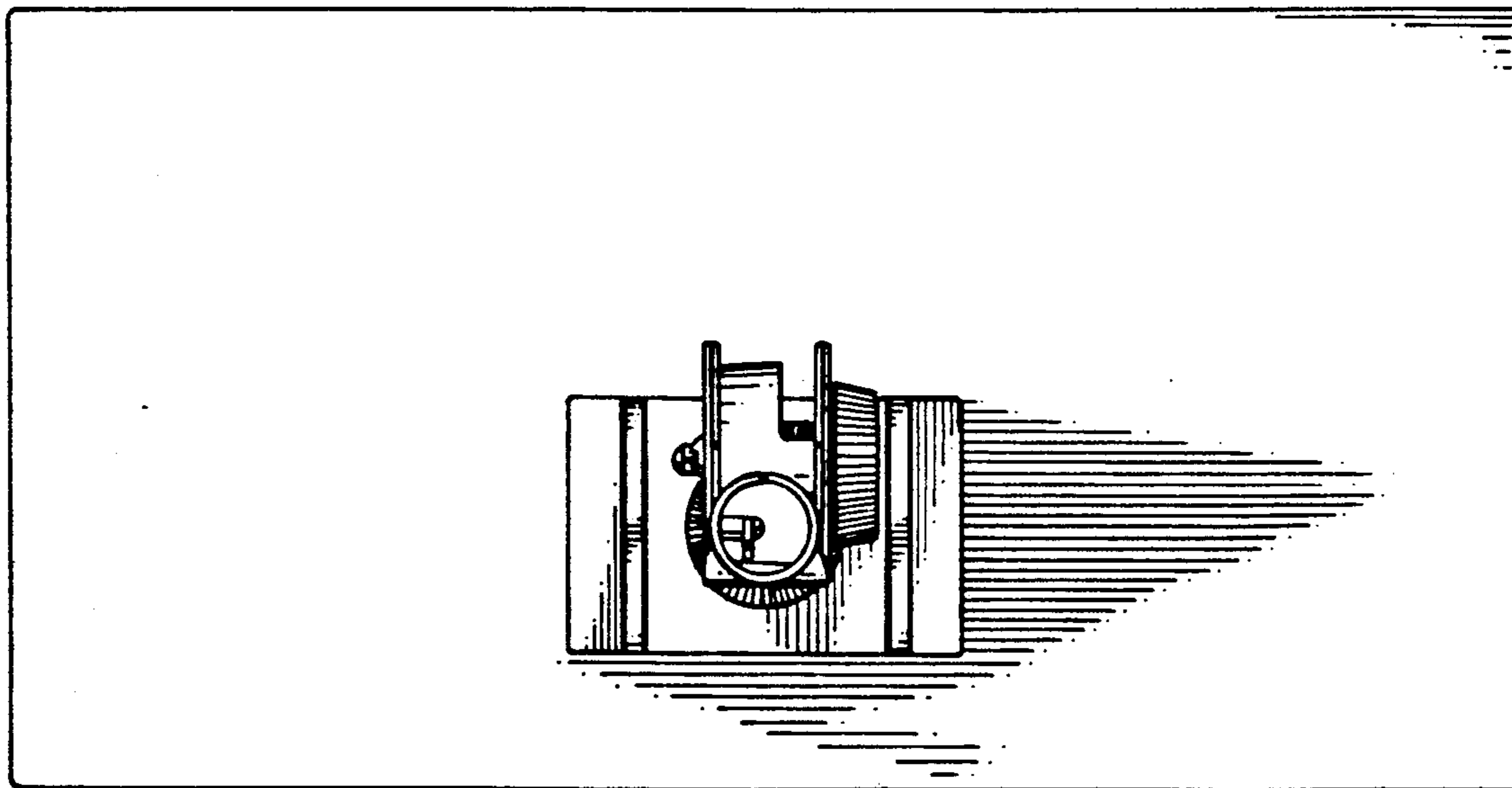


Fig. 7