

[54] MULTI-NIBBED WRITING INSTRUMENT

[76] Inventor: Virginia D. Hayes, 2405 Church #106, Gonzales, Tex. 78629

[\*\*] Term: 14 Years

[21] Appl. No.: 240,112

[22] Filed: Sep. 2, 1988

[52] U.S. Cl. .... D19/36; D19/43; D19/51; D19/56; D19/57

[58] Field of Search ..... D19/35, 36, 41-51, D19/54-58, 96, 81-85; 401/31, 29, 30, 195

[56] References Cited

U.S. PATENT DOCUMENTS

D. 152,717	2/1949	Metzler	.....	D19/48
D. 155,613	10/1949	Kahn	.....	D19/48
D. 205,645	8/1966	Lovejoy	.....	D19/49
2,624,315	1/1953	Weisser et al.	.....	401/31
2,676,570	4/1954	Fahringer	.....	401/31
3,079,894	3/1963	Johmann	.....	401/31
3,130,712	4/1964	Kahn et al.	.....	401/31
3,294,068	12/1966	Hechtle	.....	401/31
3,604,816	9/1971	Levoine	.....	401/31

OTHER PUBLICATIONS

Special Gifts, 11/70, p. 77, See Multi-Color Pen, upper right corner.

Primary Examiner—Bruce W. Dunkins  
Assistant Examiner—Martha Thompson  
Attorney, Agent, or Firm—Leon Gilden

[57] CLAIM

The ornamental design for a multi-nibbed writing instrument, as shown and described.

DESCRIPTION

FIG. 1 is a front elevational view of a multi-nibbed writing instrument showing my new design in an exploded condition;

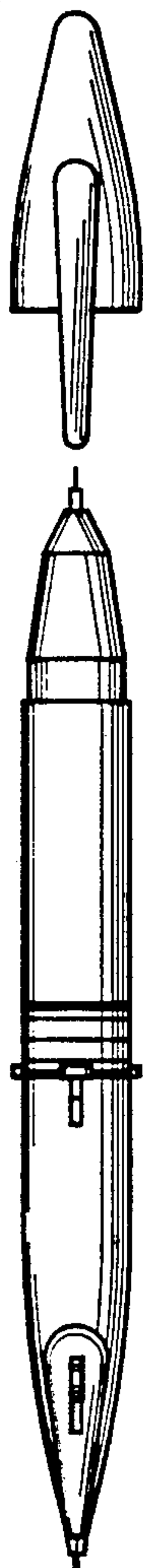
FIG. 2 is a rear elevational view in an exploded condition;

FIG. 3 is a left side elevational view in an exploded condition;

FIG. 4 is a right side elevational view in an exploded condition;

FIG. 5 is a top plan view with the cap member removed for convenience of illustration; and

FIG. 6 is a bottom plan view of FIG. 5.



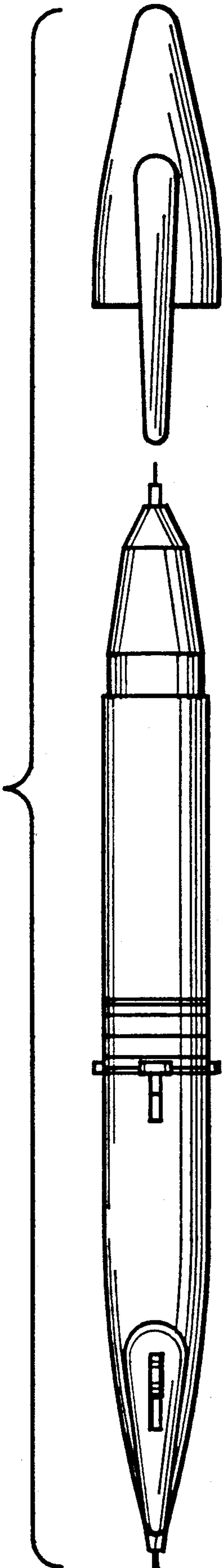


Fig. 1

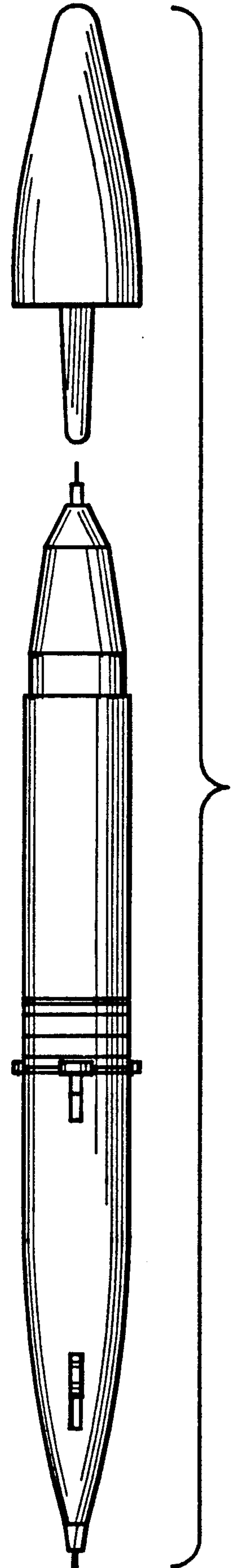
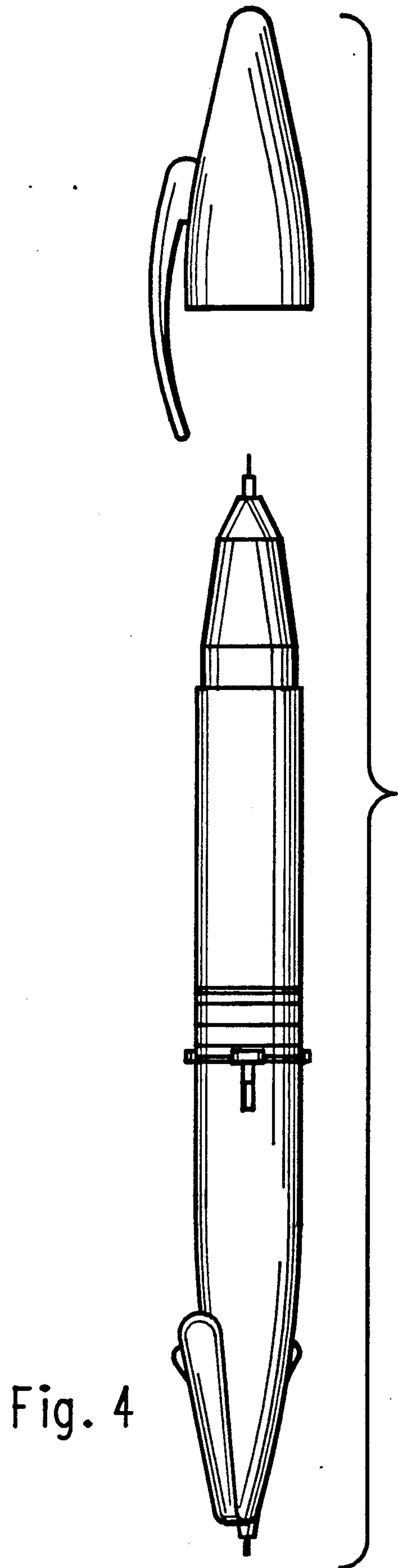
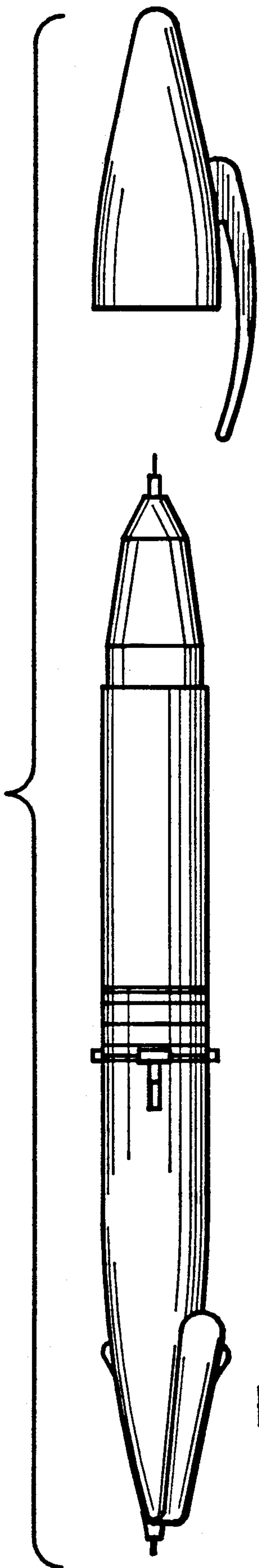


Fig. 2



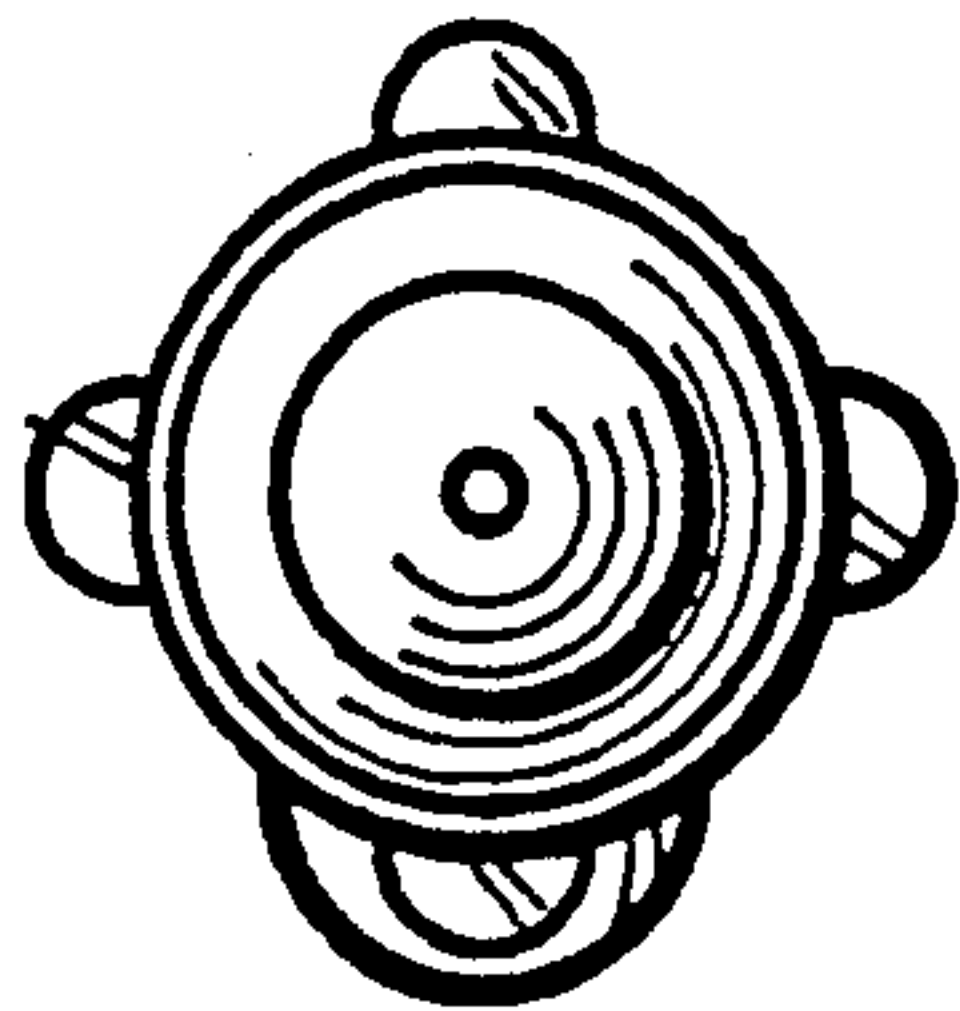


Fig. 5

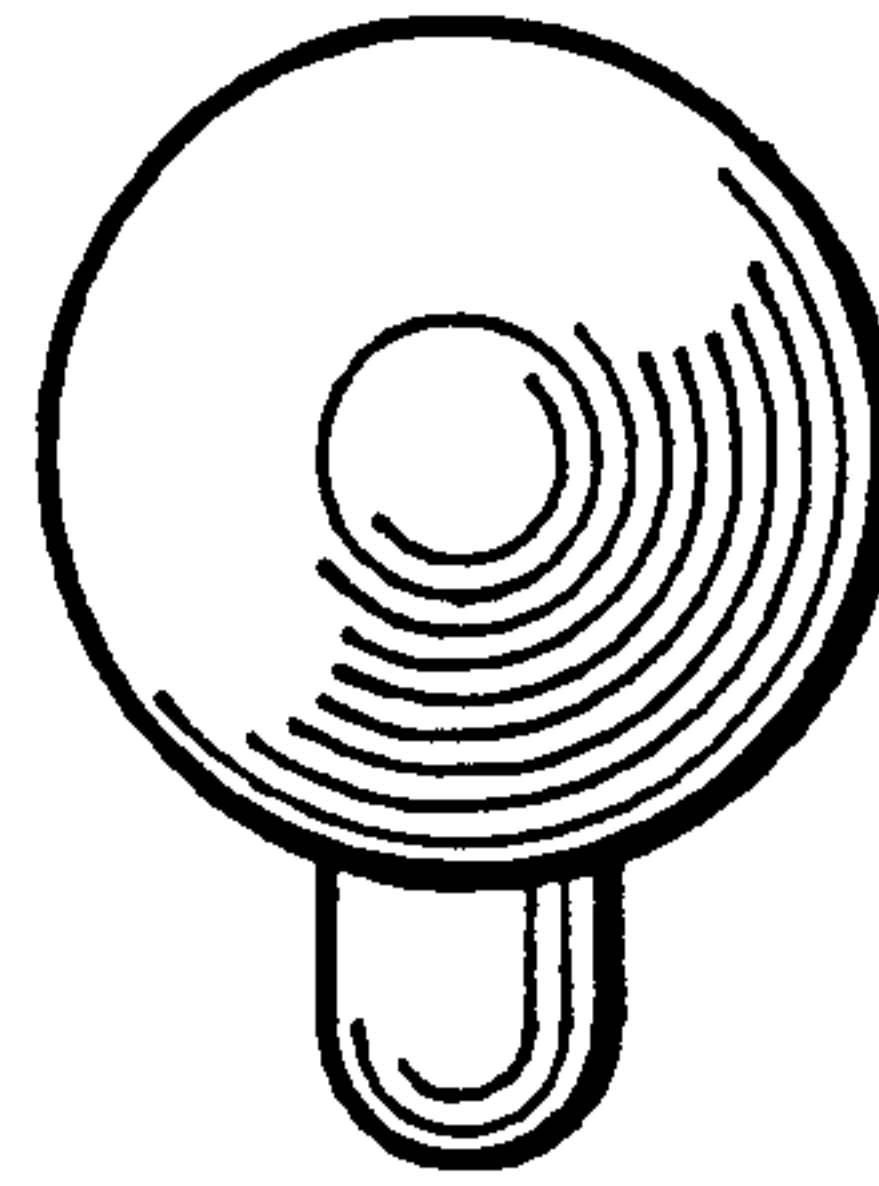


Fig. 7

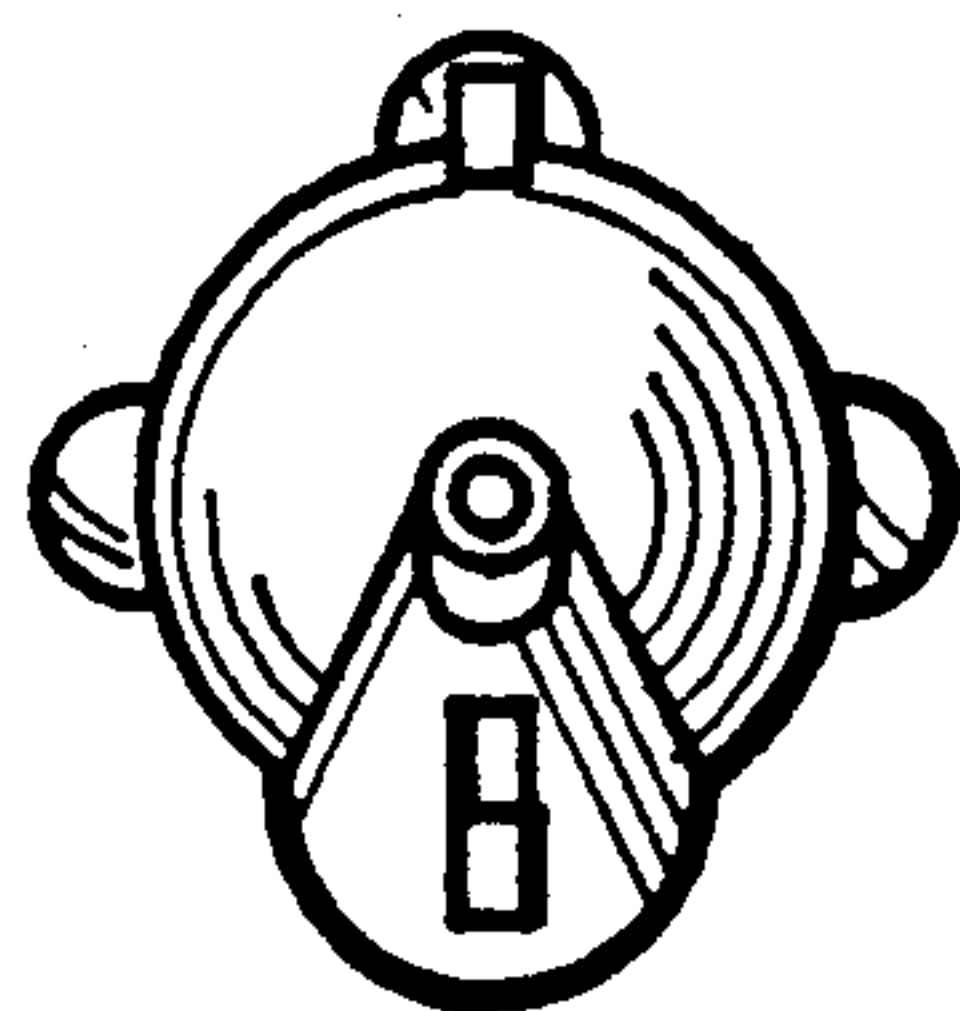


Fig. 6

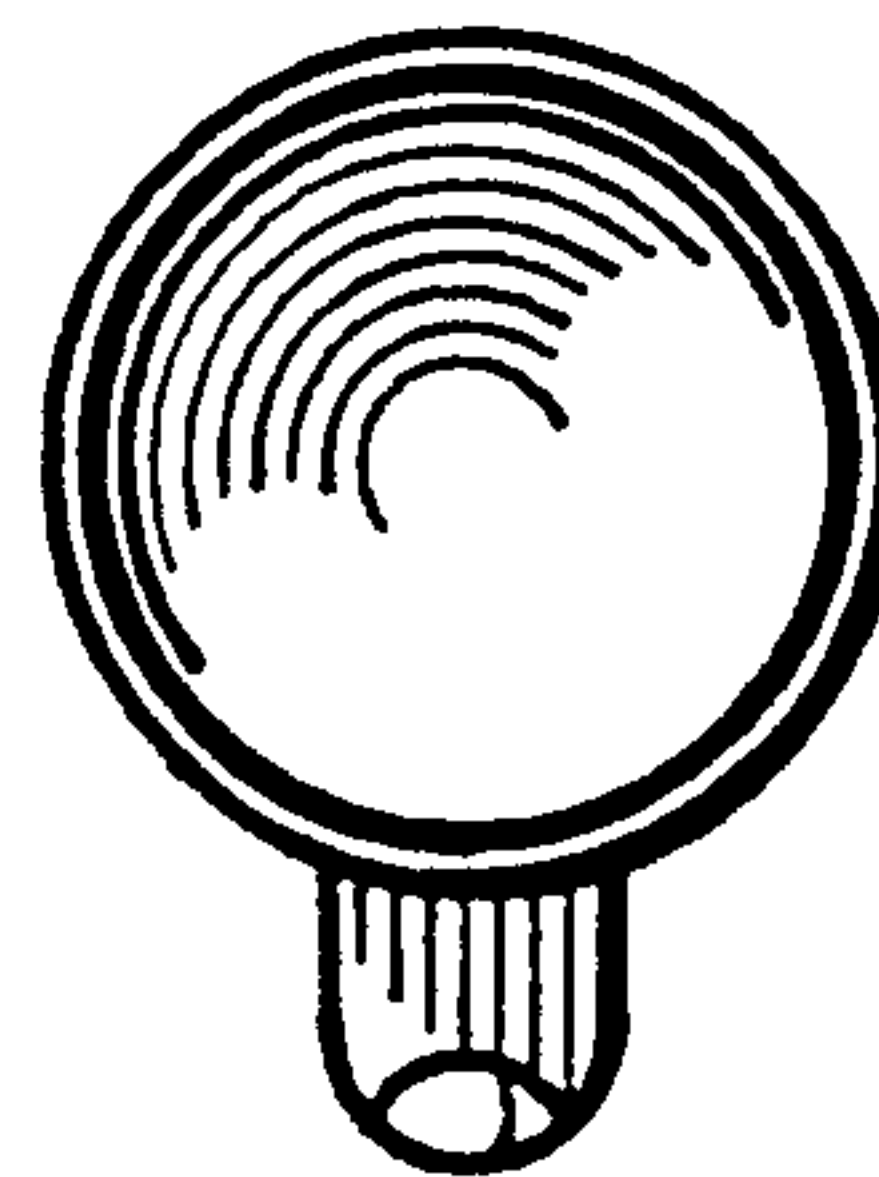


Fig. 8