

[54] DOCUMENT FEEDER

[75] Inventor: Akira Imai, Yokohama, Japan

[73] Assignee: Ricoh Company, Ltd., Tokyo, Japan

[\*\*] Term: 14 Years

[21] Appl. No.: 362,832

[22] Filed: Jun. 7, 1989

[30] Foreign Application Priority Data

Dec. 7, 1988 [JP] Japan ..... 63-47719

[52] U.S. Cl. .... D18/49

[58] Field of Search ..... D18/1, 12, 13, 22, 36-44; D14/111; 400/624-629, 636, 642, 636.2, 646, 647, 647.1, 689-694; 226/74; 271/2.1, 3, 8.1, 9, 10; 355/308, 309

[56] References Cited

U.S. PATENT DOCUMENTS

D. 234,005 12/1974 Yagi et al. .... D18/42

D. 263,962 4/1982 Kurozumi ..... D18/42  
D. 279,783 7/1985 Jordan et al. .... D14/111  
D. 298,948 12/1988 Ishii et al. .... D18/42  
D. 310,540 9/1990 Matsui et al. .... D18/42  
D. 312,094 11/1990 Hashimoto ..... D18/42  
D. 314,789 2/1991 Hirata et al. .... D18/42  
D. 316,268 4/1991 Miyajima et al. .... D18/42  
4,955,595 9/1990 Kawano et al. .... D18/42 X

Primary Examiner—Wallace R. Burke  
Assistant Examiner—Freda S. Nunn  
Attorney, Agent, or Firm—Oblon, Spivak, McClelland, Maier & Neustadt

[57] CLAIM

The ornamental design for document feeder, as shown and described.

DESCRIPTION

FIG. 1 is a front and top-right perspective view of a document feeder showing my new design; FIG. 2 is a rear and bottom-left perspective view thereof.

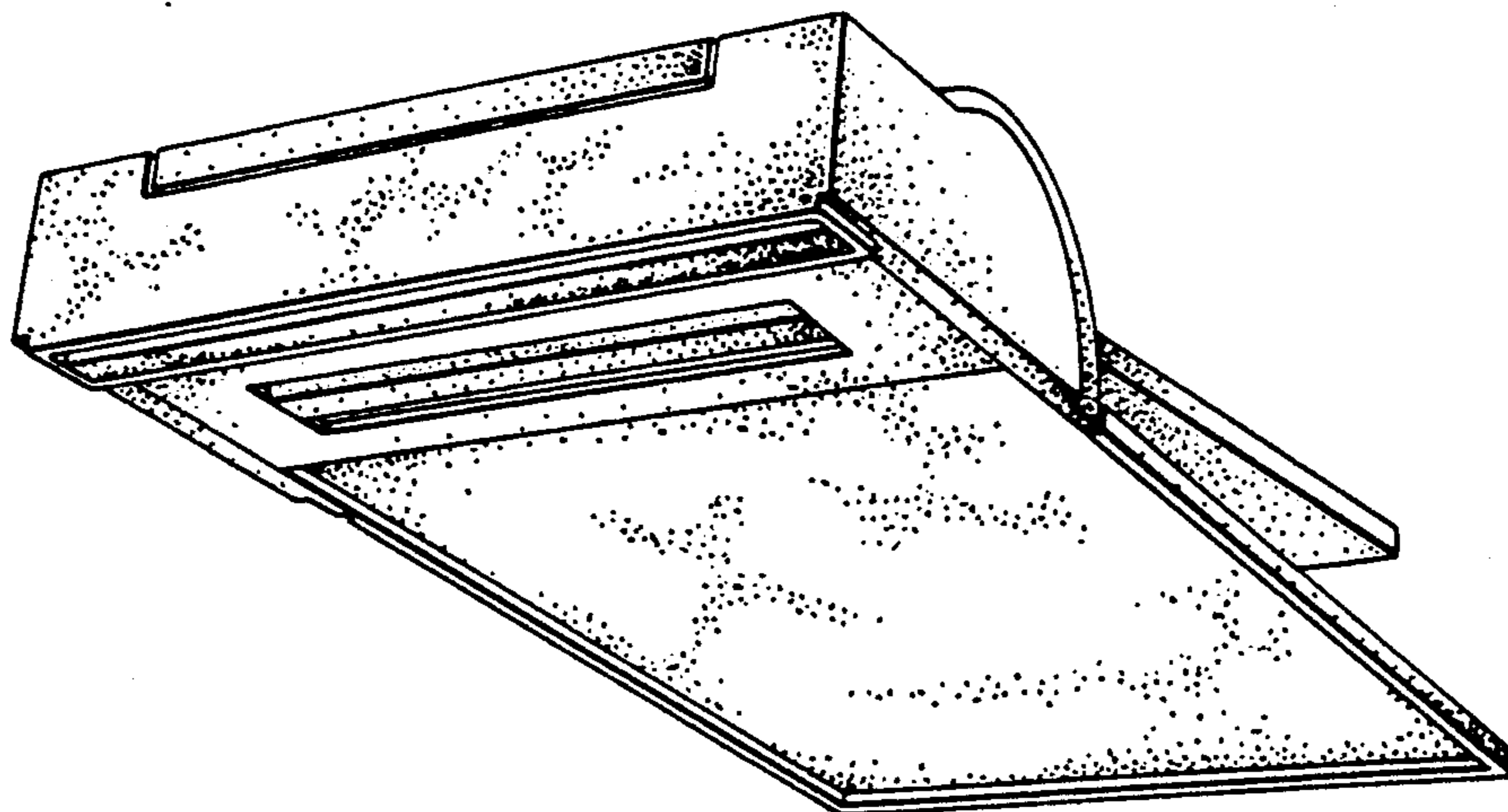
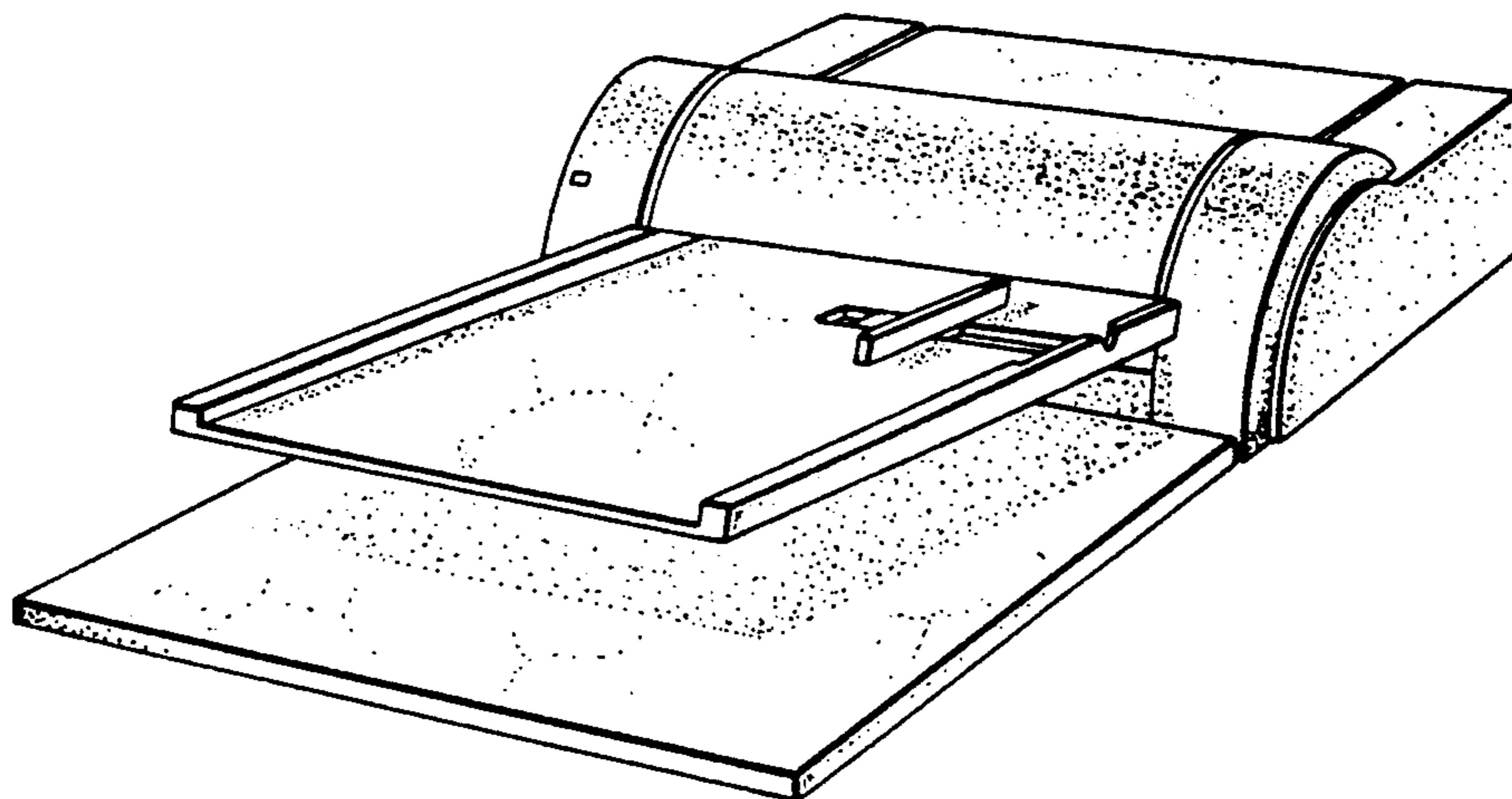


FIG. 1

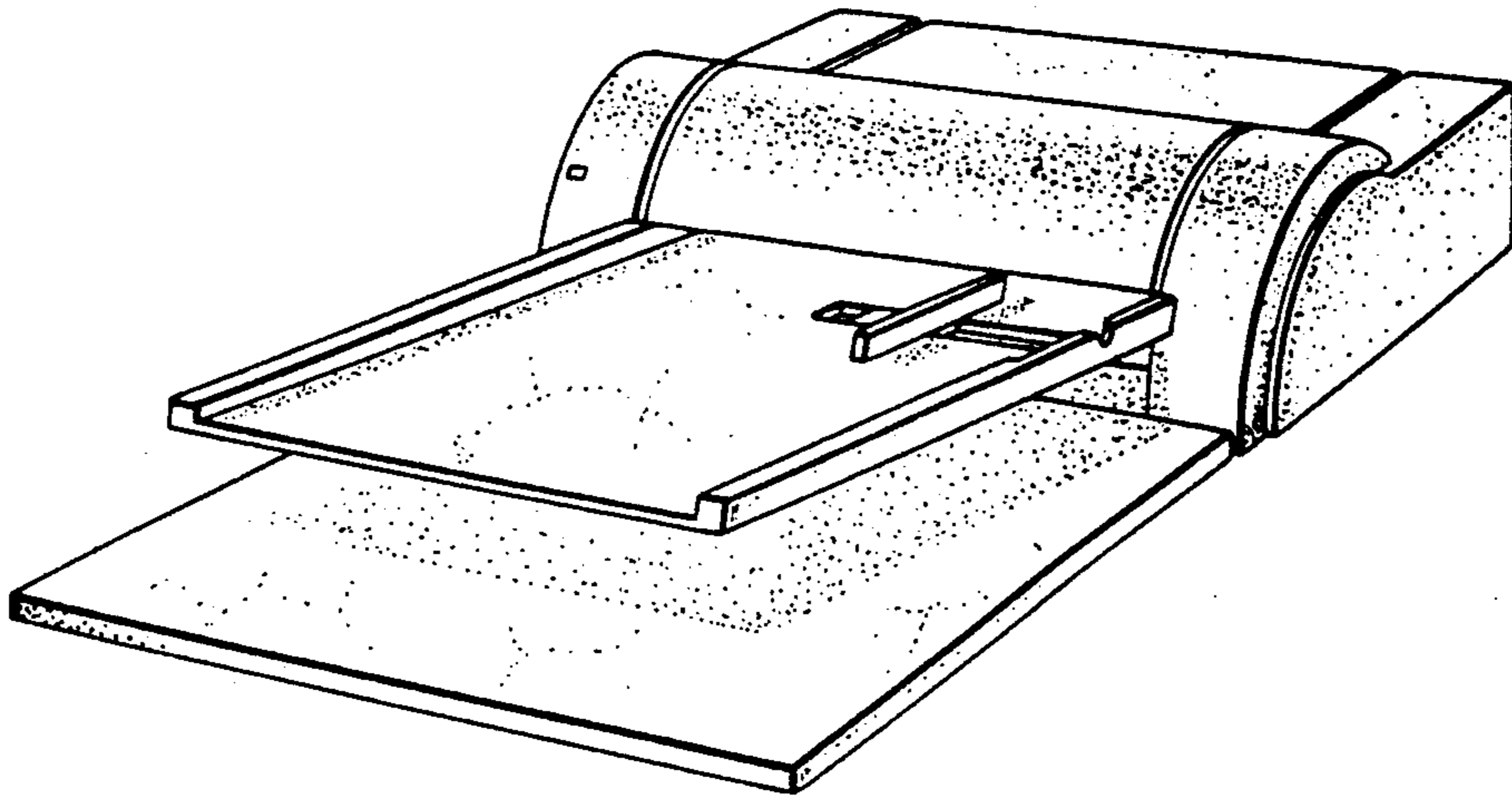


FIG. 2

